

[54] **LOUDSPEAKER PANEL**

[75] **Inventor: Petrus H. J. van de Ven,**
Valkenswaard, Netherlands

[73] **Assignee: U.S. Philips Corporation,** New York,
N.Y.

[**] **Term: 14 Years**

[21] **Appl. No.: 561,762**

[22] **Filed: Dec. 15, 1983**

[30] **Foreign Application Priority Data**

Jun. 29, 1983 [GB] United Kingdom 1.013.834

[52] **U.S. Cl. D14/39; D14/30;**
D14/34; D14/37

[58] **Field of Search D14/30, 34, 37, 39**

[56] **References Cited**

U.S. PATENT DOCUMENTS

D. 269,870 7/1983 Iijima D14/34 X

OTHER PUBLICATIONS

Stereo Review, 9-82, p. 35, Panasonic EAB-069 Car
Speaker.

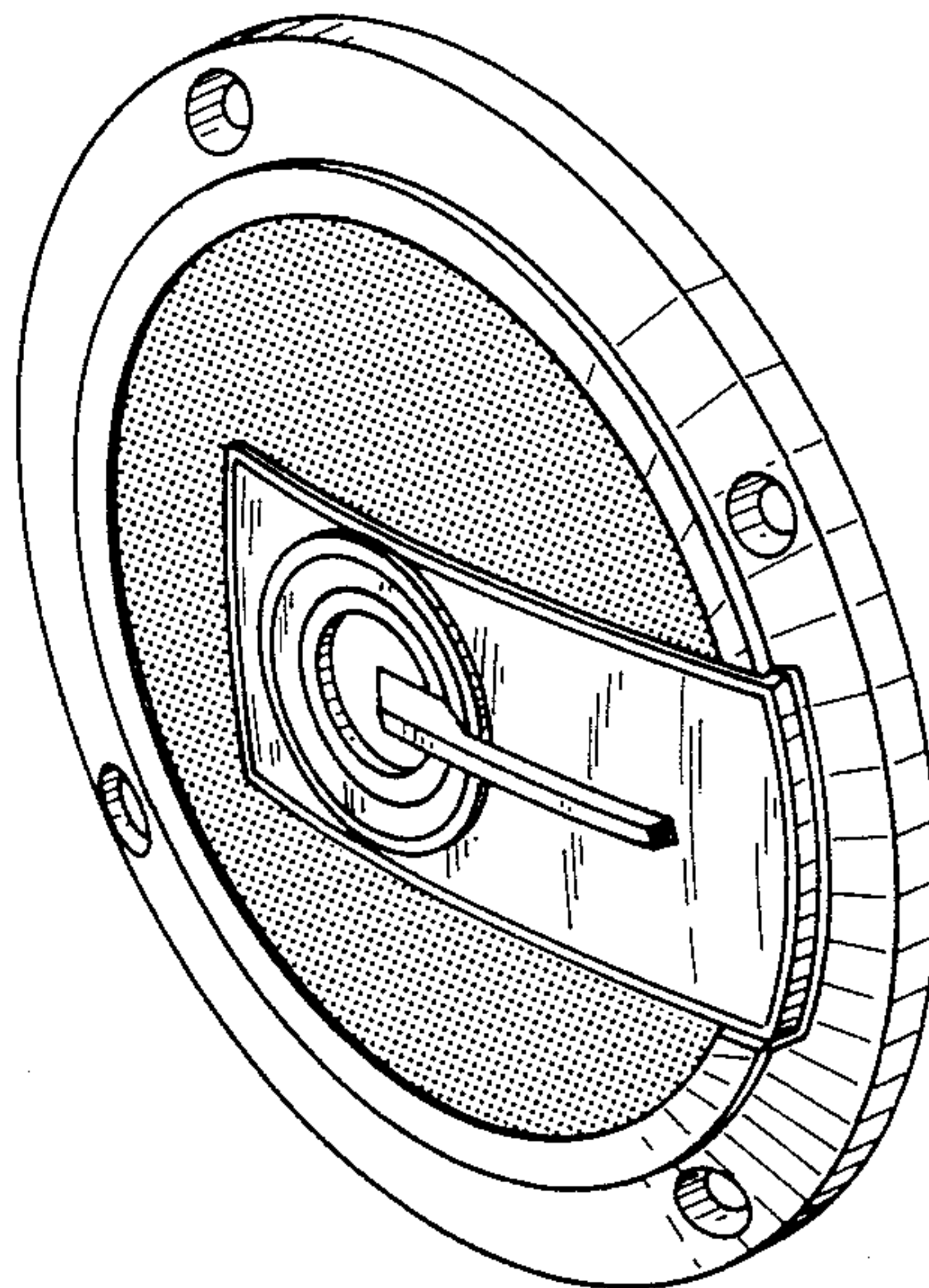
Primary Examiner—Nelson C. Holtje
Assistant Examiner—Theodore M. Shooman
Attorney, Agent, or Firm—Rolf E. Schneider

[57] **CLAIM**

The ornamental design for a loudspeaker panel, as
shown.

DESCRIPTION

FIG. 1 is a front, top and right side perspective view of
a loudspeaker panel showing my new design;
FIG. 2 is a front elevational view thereof;
FIG. 3 is a rear elevational view thereof;
FIG. 4 is a top plan view thereof;
FIG. 5 is a bottom plan view thereof;
FIG. 6 is a right side elevational view thereof; and
FIG. 7 is a left side elevational view thereof.



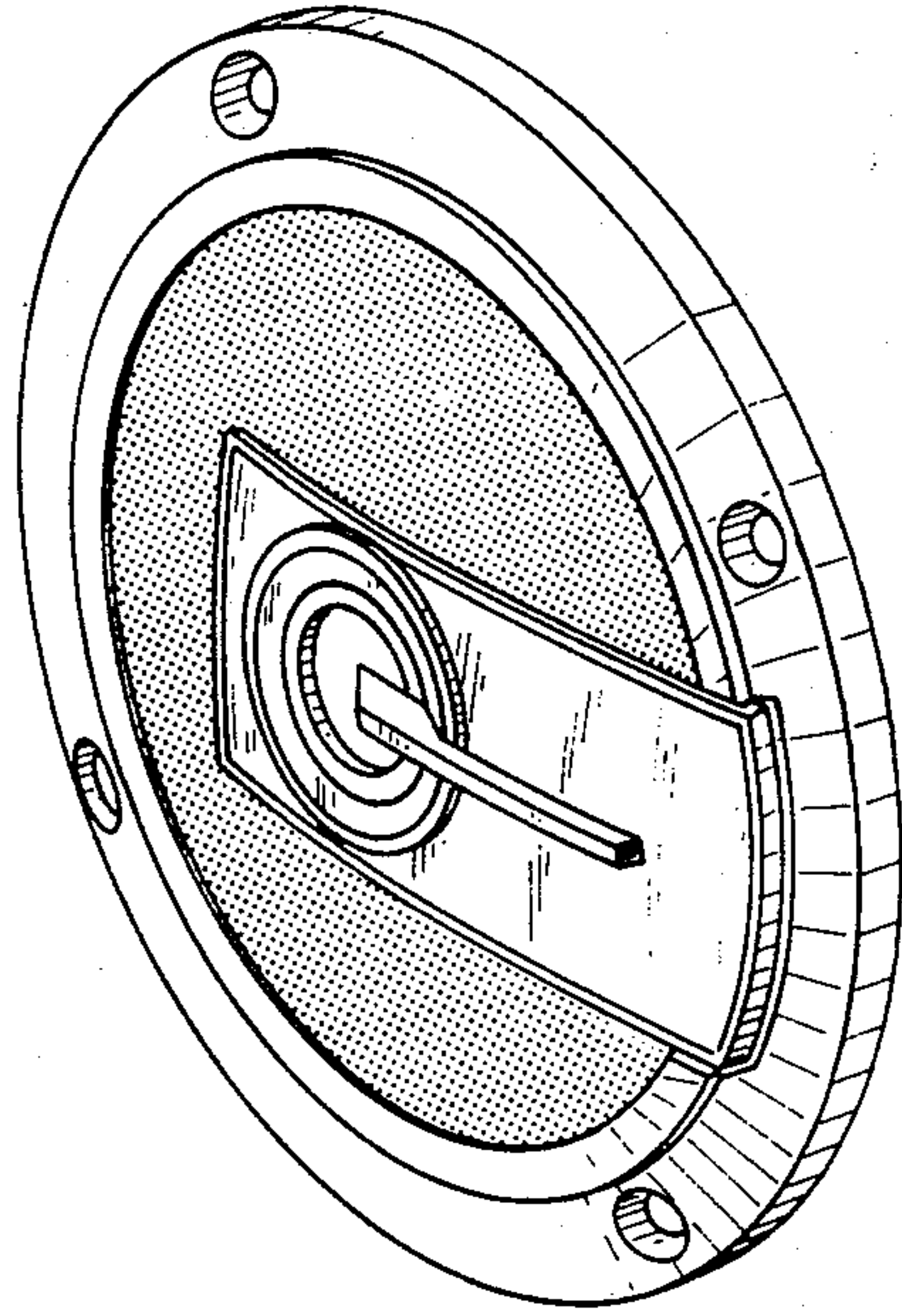


FIG. 1

FIG. 2

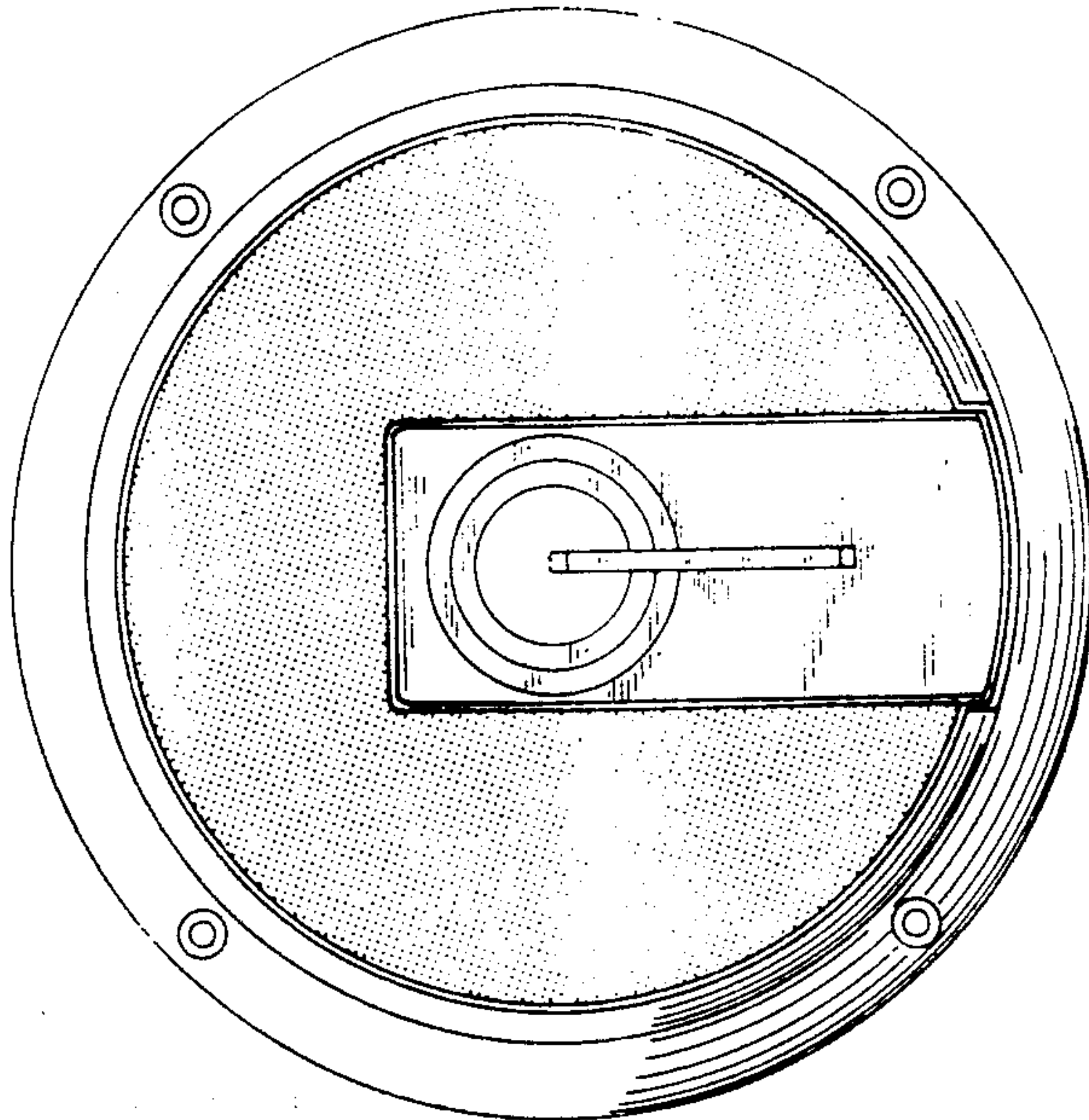


FIG. 6

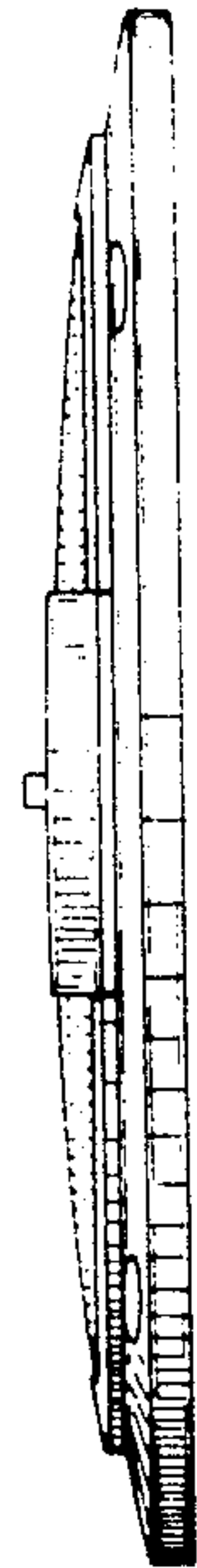


FIG. 3

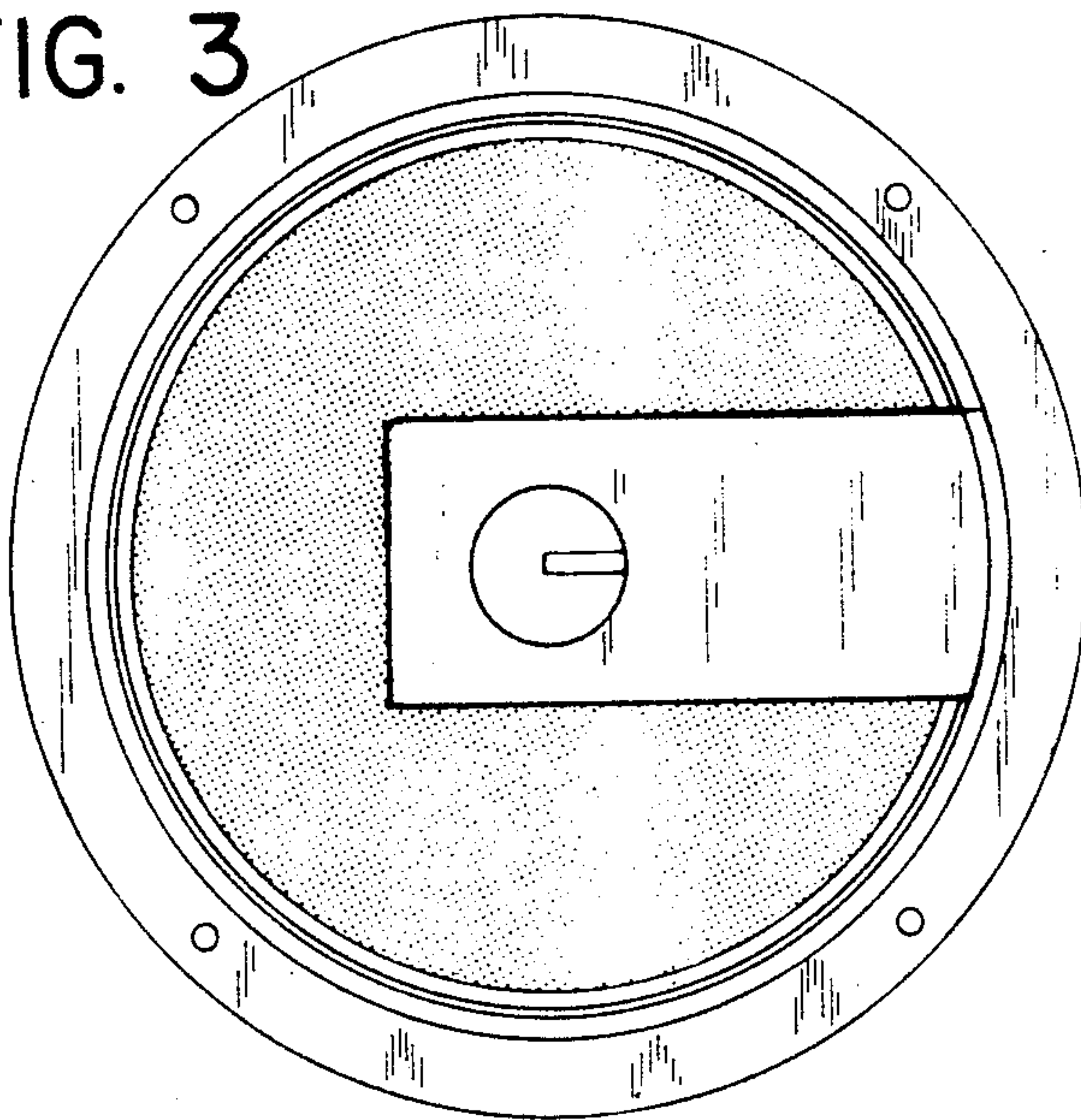


FIG. 7

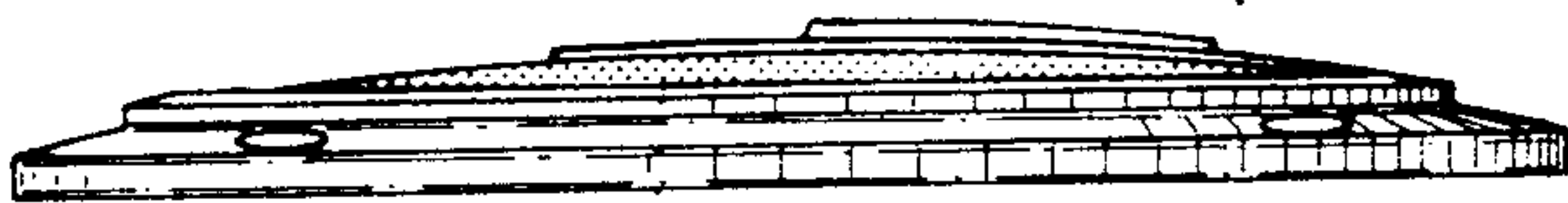


FIG. 4

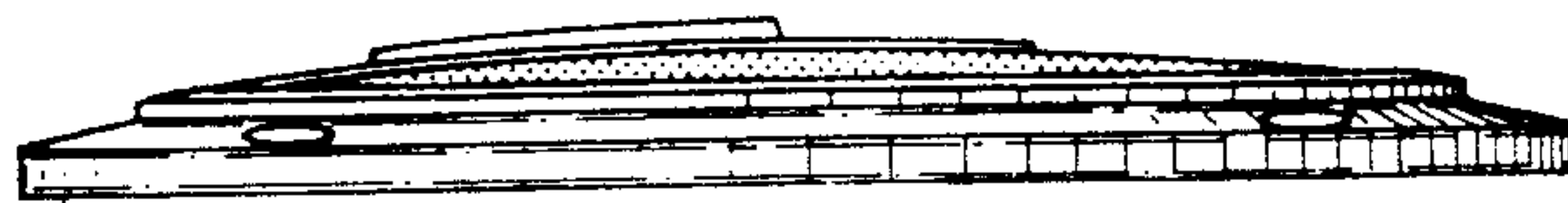


FIG. 5