

[54] BICYCLE HANDLEBAR STEM

[75] Inventor: John S. Kirkpatrick, Brooklyn, N.Y.

[73] Assignee: Ross Bicycles Inc., Rockaway Beach, N.Y.

[**] Term: 14 Years

[21] Appl. No.: 806,201

[22] Filed: Nov. 25, 1985

[52] U.S. Cl. D12/118

[58] Field of Search D12/118; 403/374, 373; 280/279, 280; 74/551.1, 551.3

[56] References Cited

U.S. PATENT DOCUMENTS

| | | | | |
|------------|--------|--------------|-------|----------|
| D. 31,007 | 6/1899 | Metz | | D12/118 |
| D. 104,819 | 6/1937 | Snell | | D12/178 |
| D. 127,561 | 6/1941 | Cash | | D12/178 |
| D. 127,578 | 6/1941 | Cash | | D12/178 |
| D. 155,334 | 9/1949 | De Boer | | D12/178 |
| D. 163,540 | 6/1951 | Parton | | D12/118 |
| D. 178,478 | 8/1956 | Wintermantel | | D12/178 |
| 555,647 | 3/1896 | Latta | | 74/551.1 |
| 586,262 | 7/1897 | Woodman | | 74/551.1 |
| 598,083 | 2/1898 | Gilbert | | 74/551.1 |

| | | | | |
|-----------|--------|----------|-------|----------|
| 671,647 | 4/1901 | Field | | 74/551.8 |
| 4,310,260 | 1/1982 | Katayama | | 403/374 |

OTHER PUBLICATIONS

American Bicyclist & Motorcyclist, 6/84, p. 48, Sun-tour 1-Piece Stem, bottom left side of page.

American Bicyclist & Motorcyclist, 7/84, p. 23, Handlebar Stem of Araya's Muddy Fox Bicycle, top right side of page.

Primary Examiner—James M. Gandy

Attorney, Agent, or Firm—Lilling & Greenspan

[57] CLAIM

The ornamental design for a bicycle handlebar stem, as shown and described.

DESCRIPTION

FIG. 1 is a front elevational view of my bicycle handlebar stem;

FIG. 2 is a rear elevational view thereof;

FIG. 3 is a top plan view thereof;

FIG. 4 is a bottom plan view thereof;

FIG. 5 is a left side elevational view thereof; the right side being a mirror image thereof; and

FIG. 6 is a perspective view thereof.

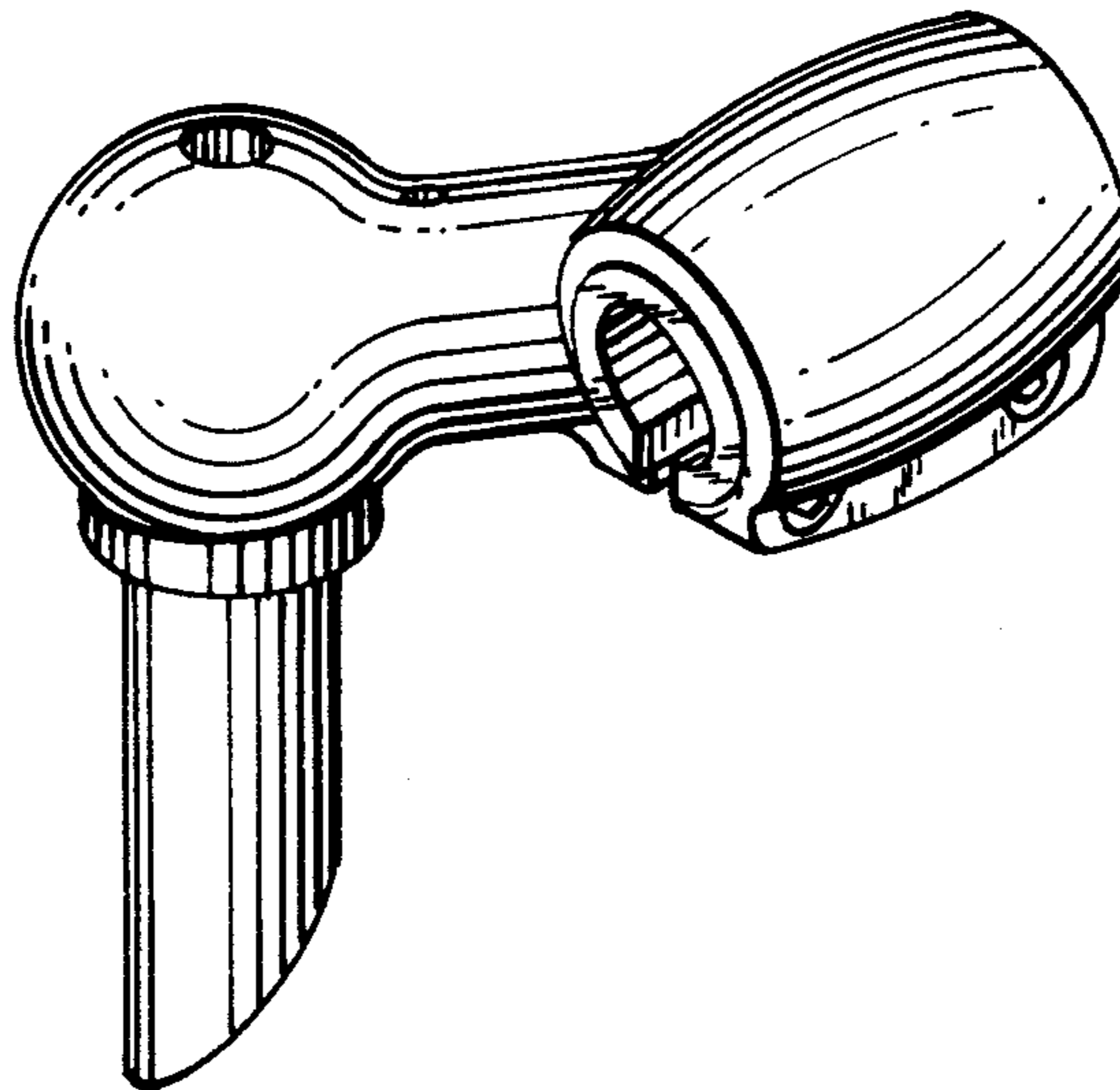


FIG. 1

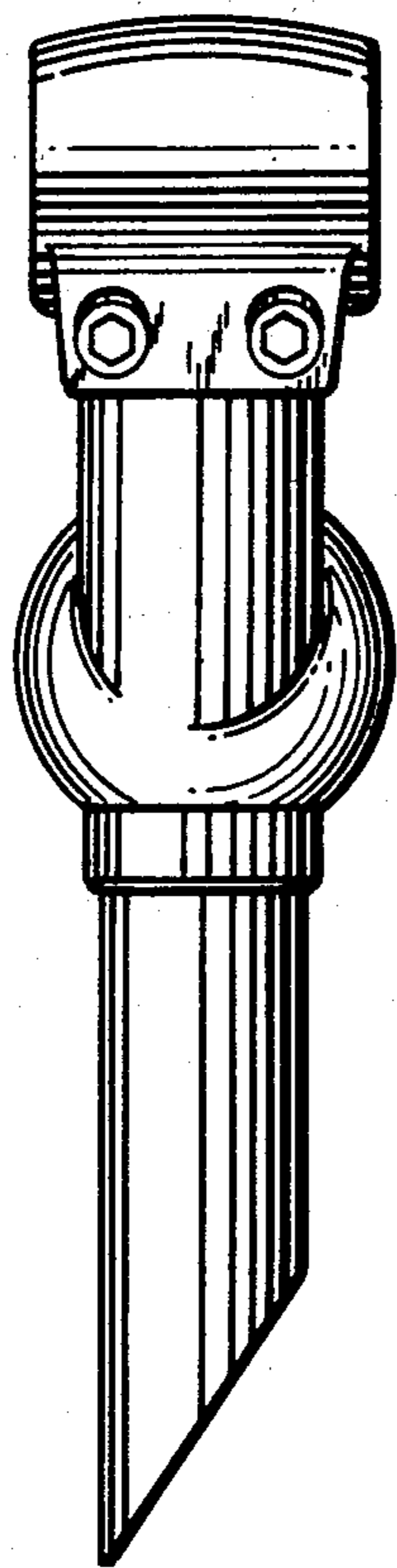


FIG. 2

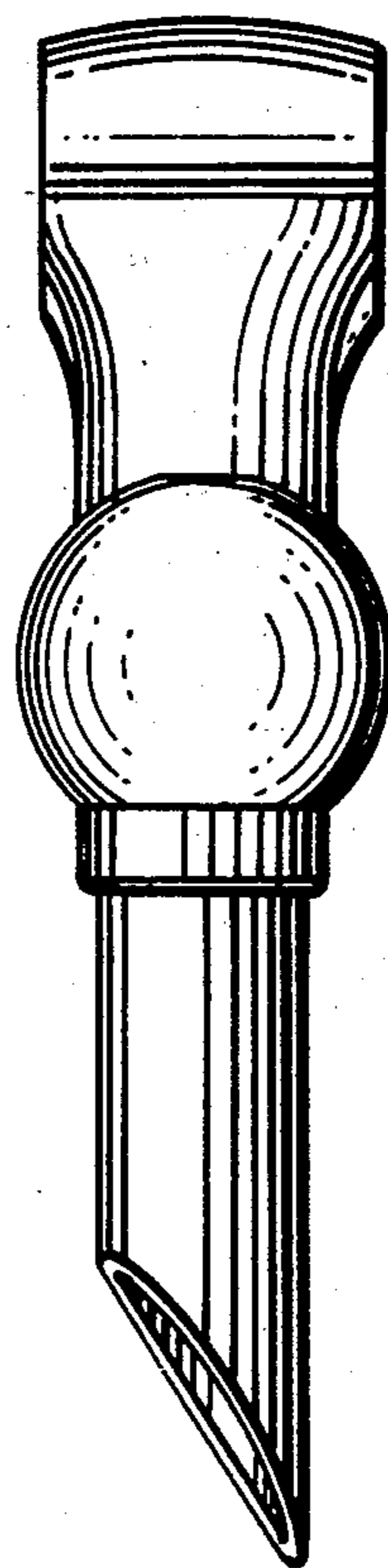


FIG. 3

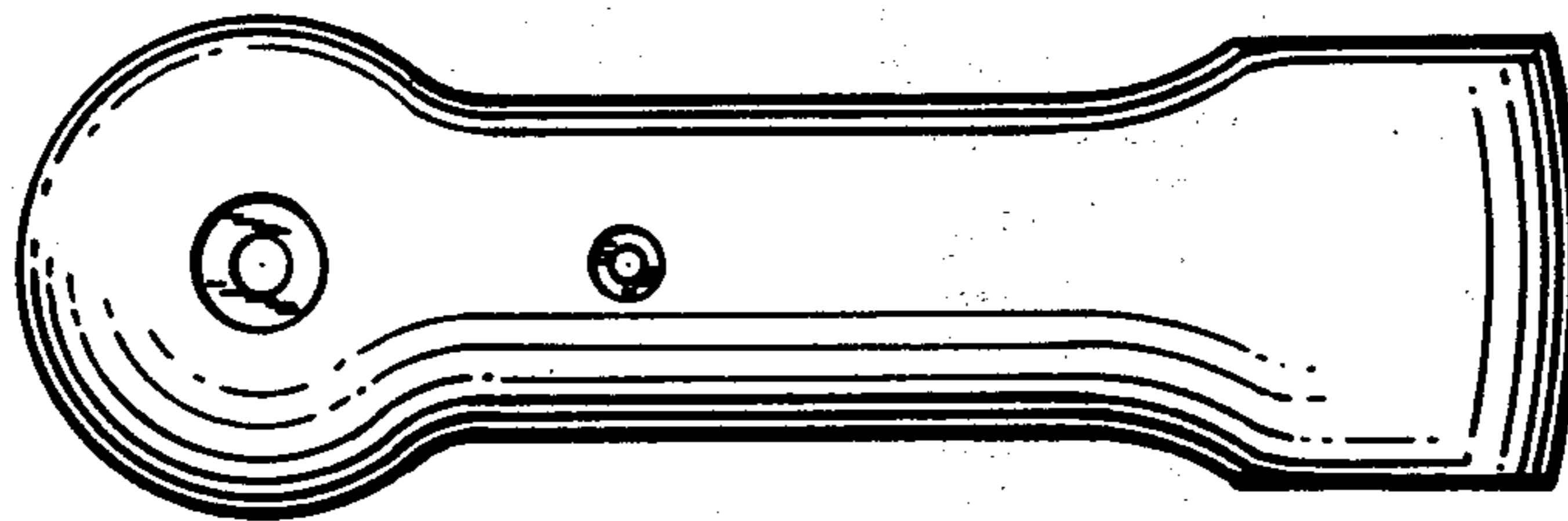


FIG. 4

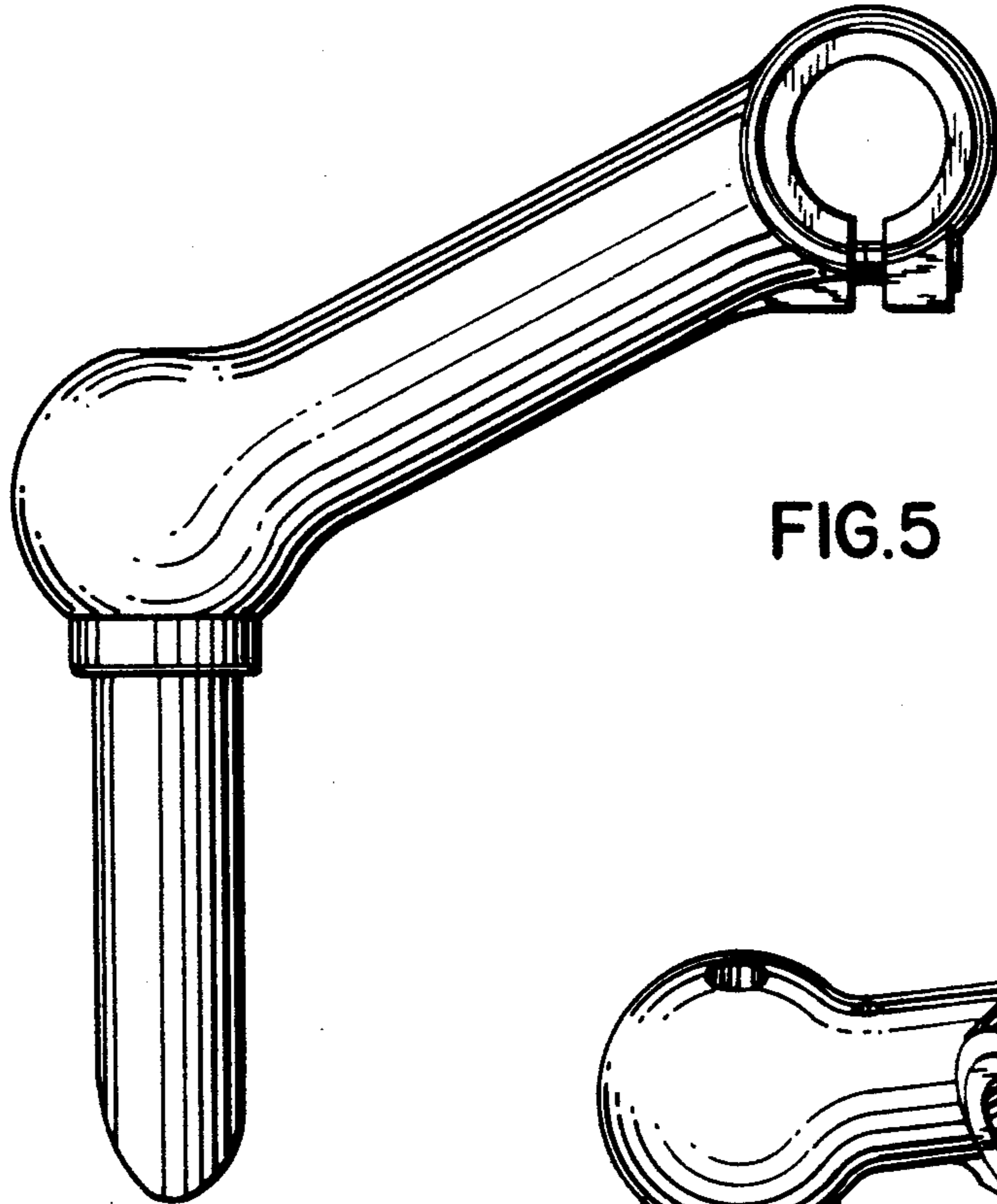
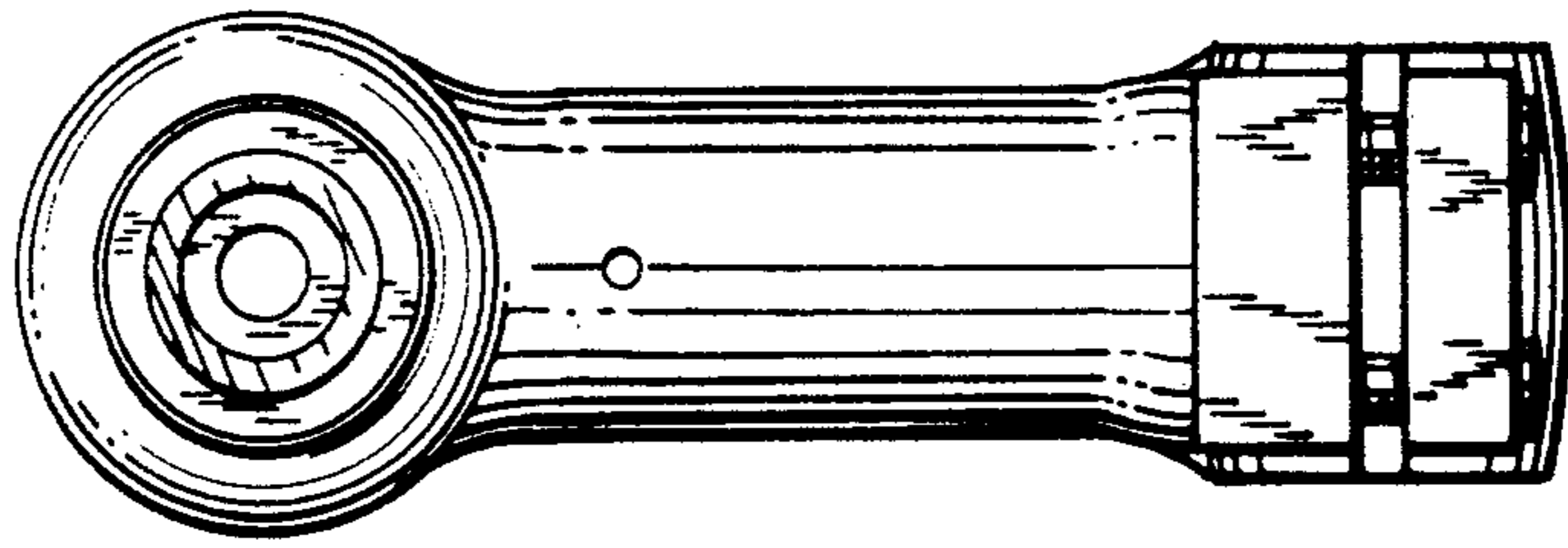


FIG. 5

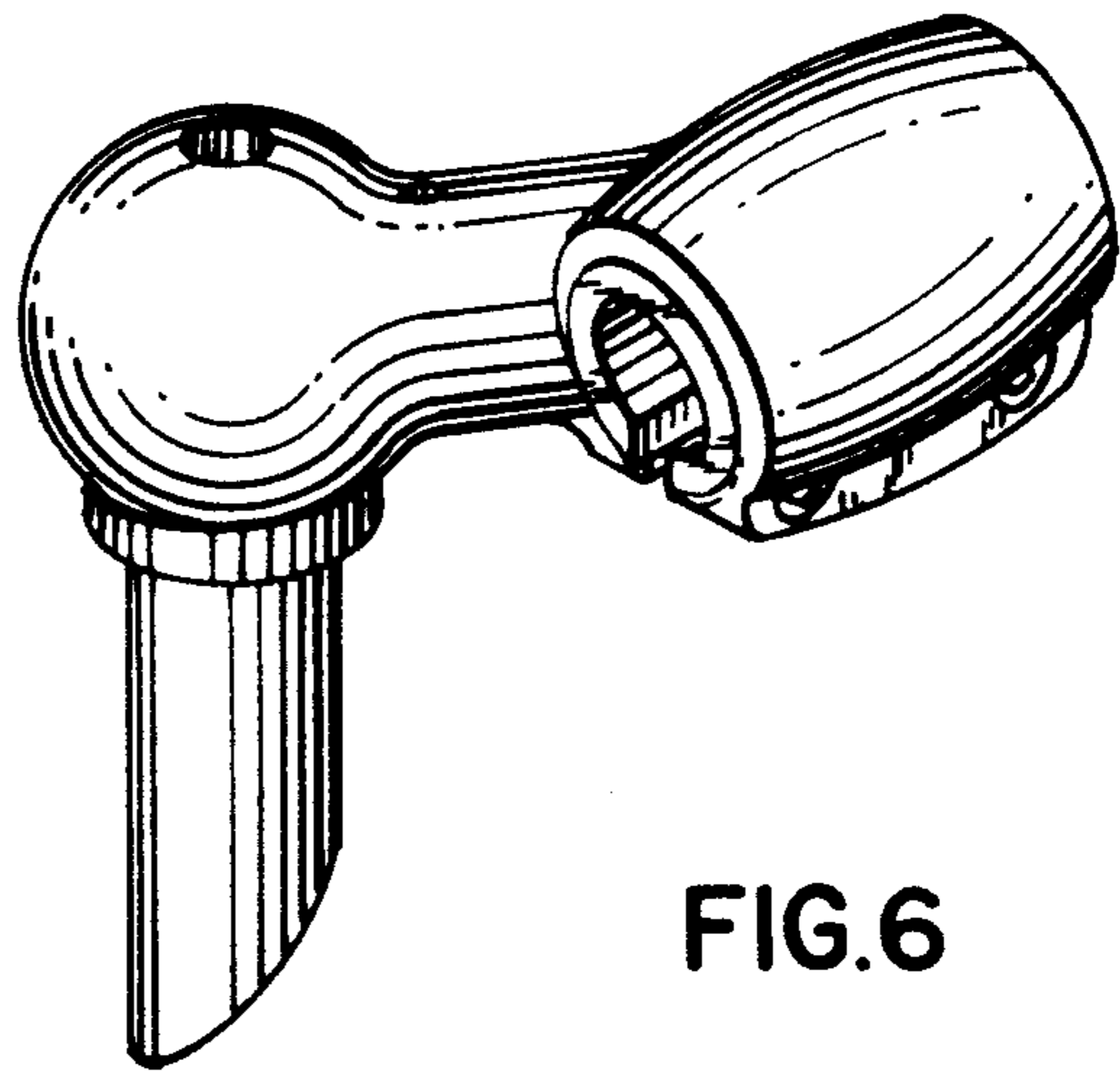


FIG. 6