

[54] MODULAR PREPARATIVE HIGH PRESSURE LIQUID CHROMATOGRAPHY COLUMN

[75] Inventors: Yehuda Shalon; Tadmor Shalon; Danny D. Meyer, all of St. Louis County, Mo.

[73] Assignee: Hp Chemicals, Inc., St. Louis, Mo.

[**] Term: 14 Years

[21] Appl. No.: 492,802

[22] Filed: May 9, 1983

[52] U.S. Cl. D10/81; D24/8

[58] Field of Search D24/8; D10/81; 210/656, 210/657; 422/89, 93

[56] References Cited

U.S. PATENT DOCUMENTS

3,440,864 4/1969 Blume 210/656 X

3,471,261	10/1969	Patterson	210/656 X
4,058,460	11/1977	Ito	210/657 X
4,070,285	1/1978	Abrahams	210/656
4,238,327	12/1980	Liburdy	210/656
4,389,316	6/1983	Falk	210/656

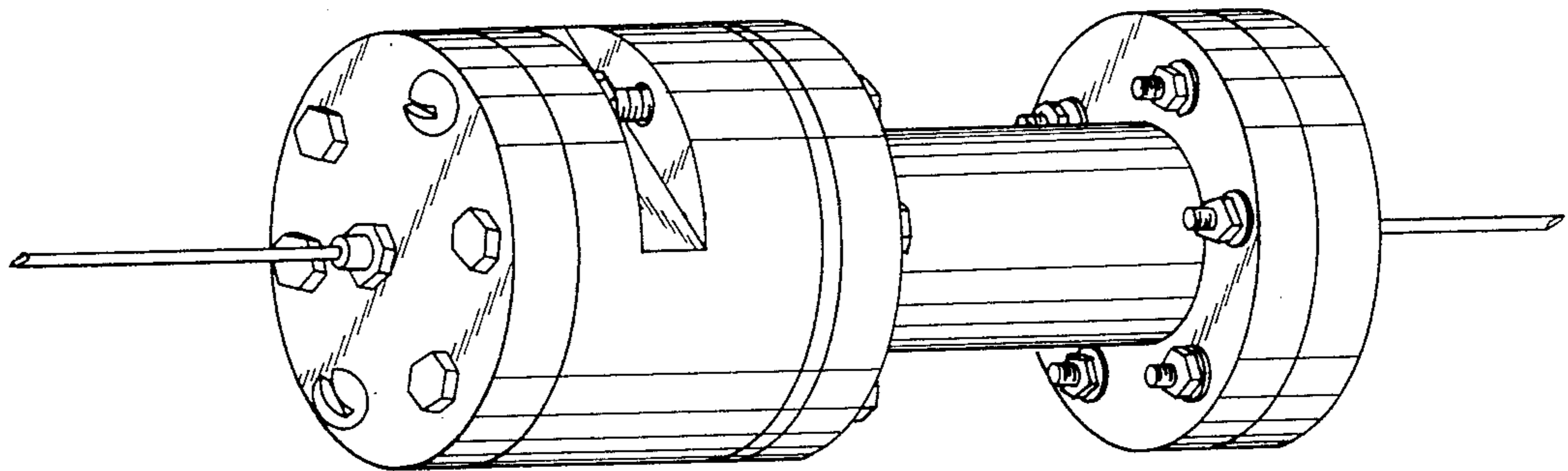
Primary Examiner—Catherine E. Kemper
Attorney, Agent, or Firm—Paul M. Denk

[57] CLAIM

The ornamental design for a modular preparative high pressure liquid chromatography column, as shown and described.

DESCRIPTION

FIG. 1 is an isometric view of a modular preparative high pressure liquid chromatography column, showing my new design;
FIG. 2 is a side elevational view, the opposite side being a mirror image thereof;
FIG. 3 is an end elevational view, the opposite end being a mirror image thereof.



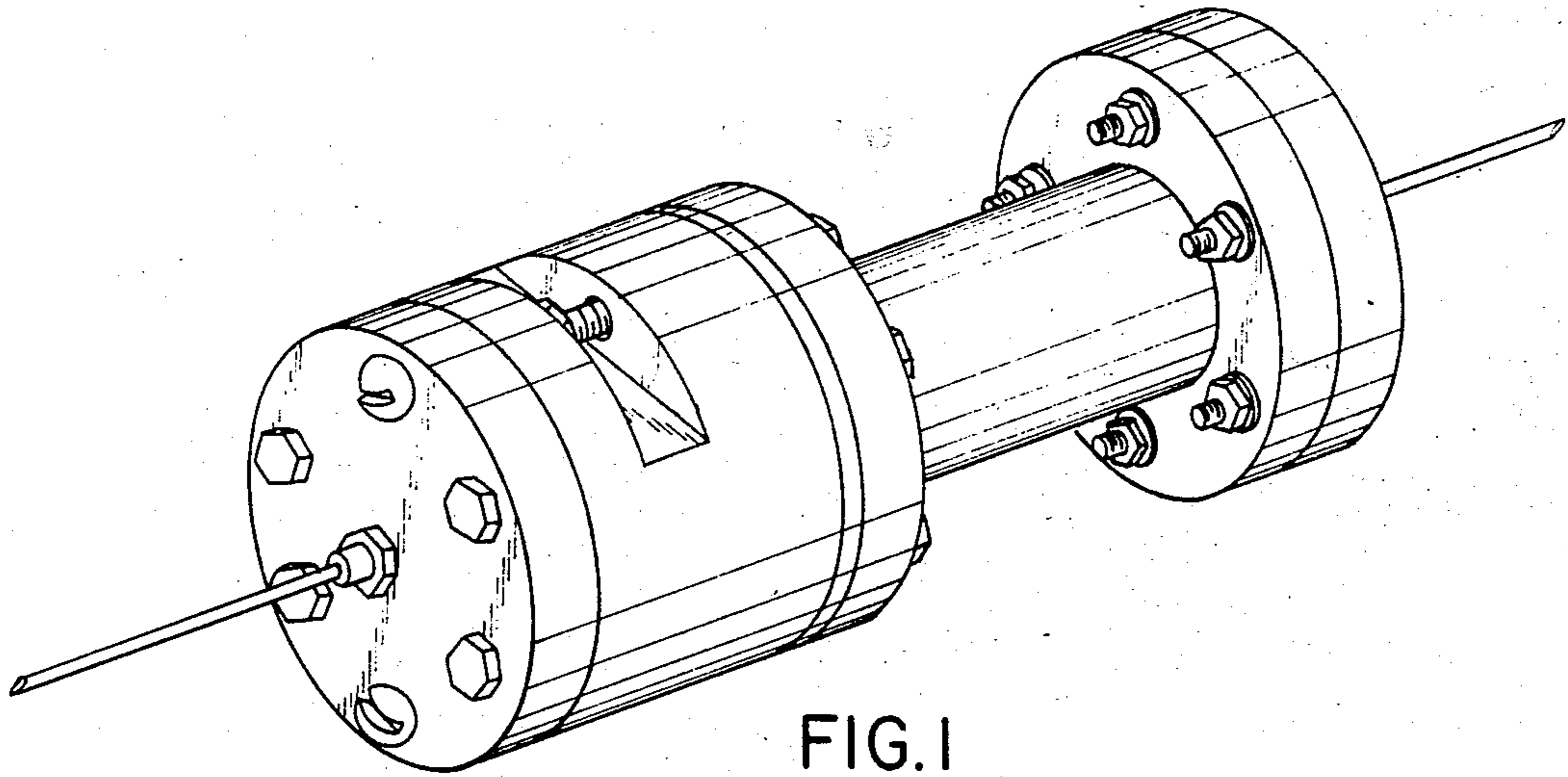


FIG. 1

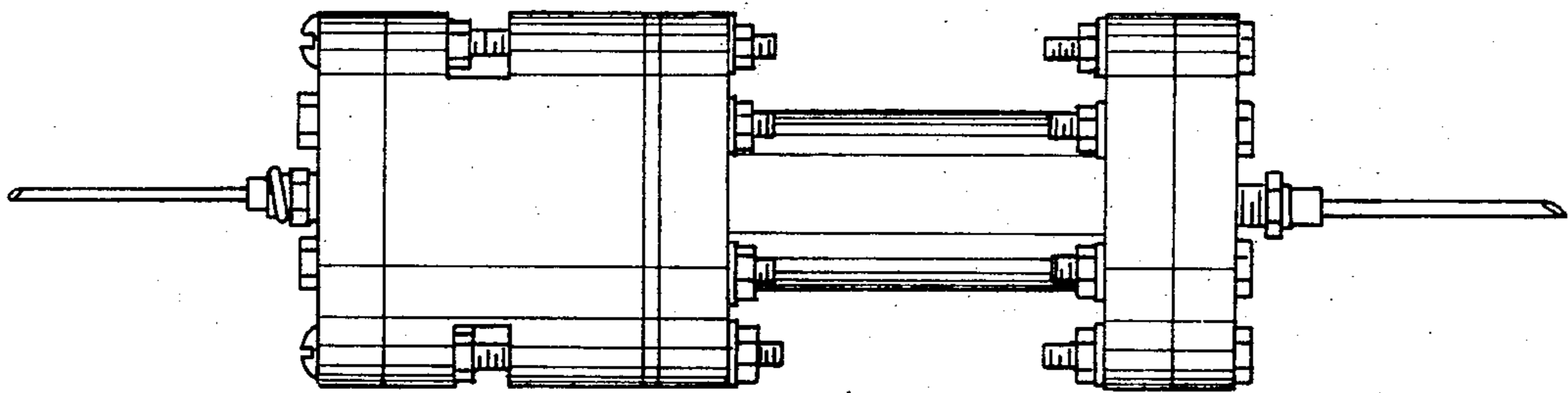


FIG. 2

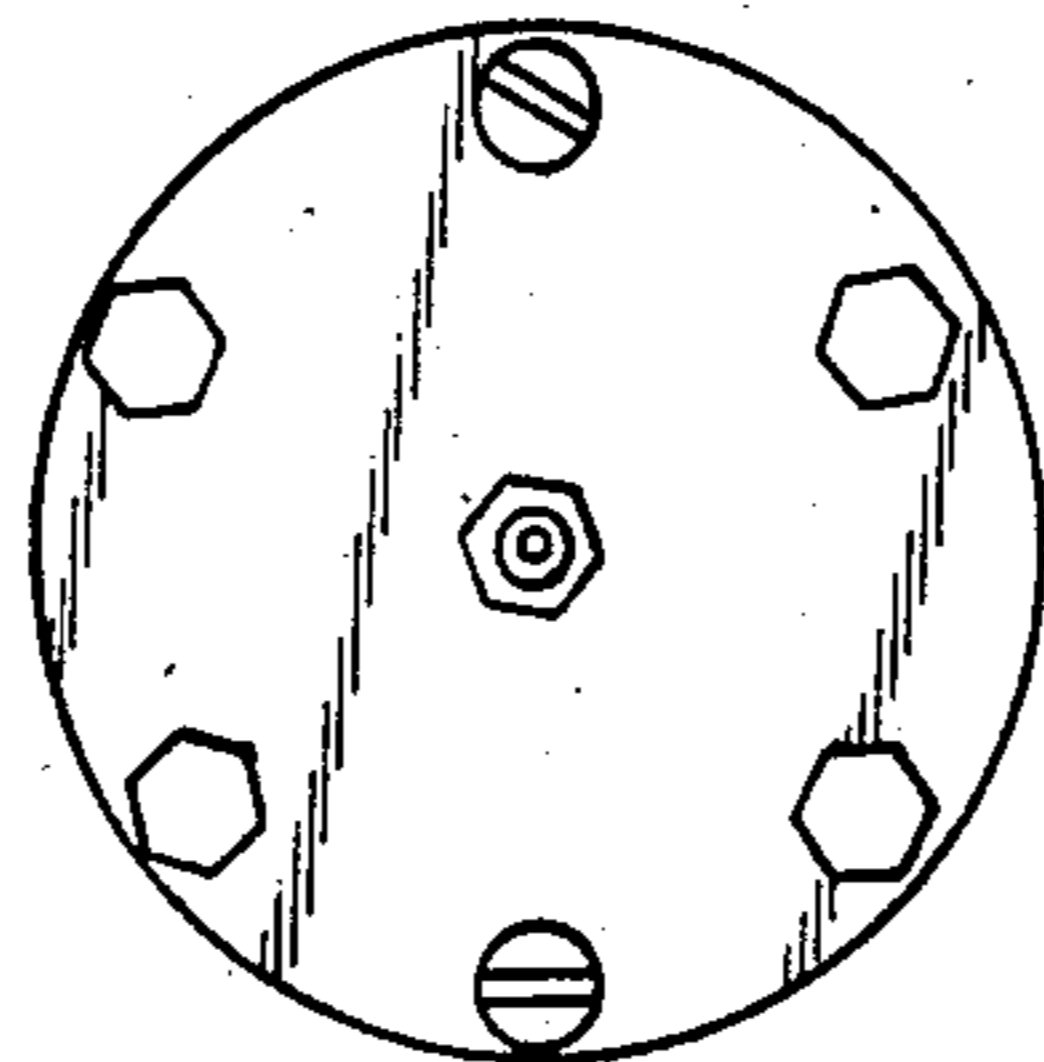


FIG. 3