

[54] FOG APPLICATOR FOR PESTICIDE AND HERBICIDE CHEMICAL DISPERSION

[76] Inventors: Dan Ariaz, 7575 Tamra Dr., Reno, Nev. 89506; Vance Robison, P.O. Box 2315, Sparks, Nev. 89432

[**] Term: 14 Years

[21] Appl. No.: 460,440

[22] Filed: Jan. 24, 1983

[52] U.S. Cl. D8/2

[58] Field of Search D8/2; D7/300; D23/17, D23/18; 239/549, 65

[56] References Cited

U.S. PATENT DOCUMENTS

D. 175,627	9/1955	Martin	D8/2
D. 181,095	10/1957	Geary	D8/2
D. 209,873	1/1968	Smith	D23/17
D. 258,908	4/1981	Satoh	D23/17
D. 272,941	3/1984	Burns	D23/17
D. 273,266	4/1984	Souza	D8/2
D. 274,794	7/1984	Witte	D23/17
1,614,269	1/1927	Woodruff	239/654
2,195,811	2/1940	Bramsen et al.	D23/17

2,249,191	7/1941	Timberlake	D23/17
2,345,173	3/1944	Baggott	239/654
2,529,852	11/1950	Snowden et al.	239/549
3,448,809	6/1969	Lambert et al.	239/549

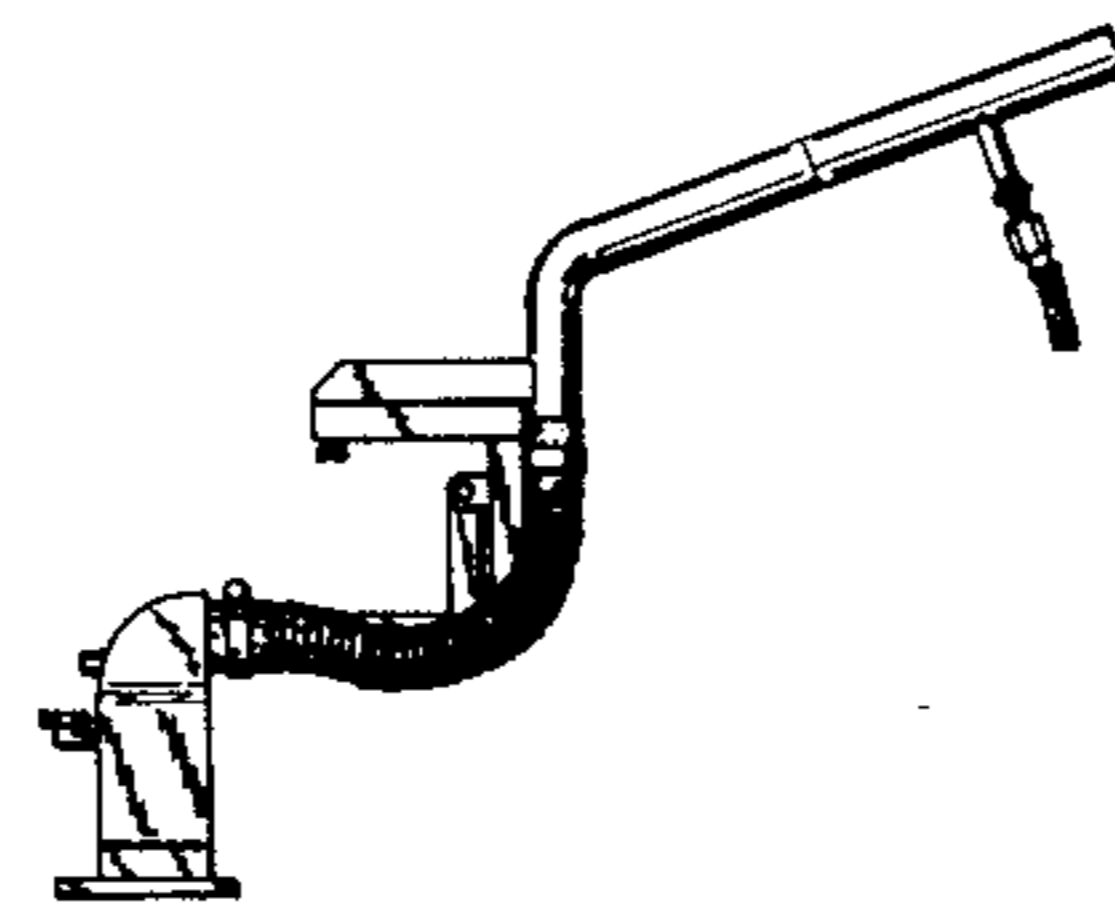
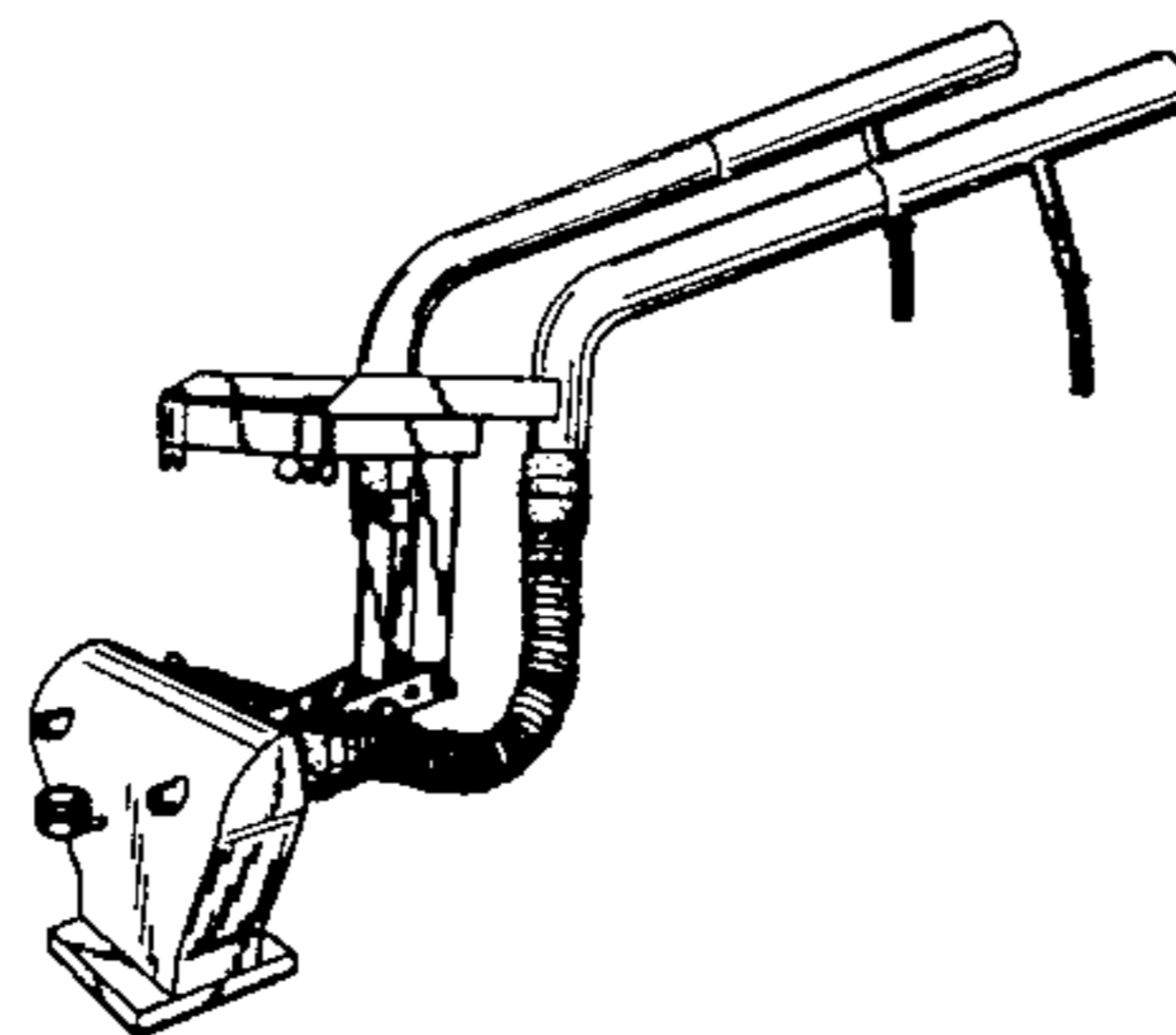
Primary Examiner—Wallace R. Burke
Assistant Examiner—Horace B. Fay
Attorney, Agent, or Firm—Townsend and Townsend

[57] CLAIM

The ornamental design for a fog applicator for pesticide and herbicide chemical dispersion, as shown and described.

DESCRIPTION

FIG. 1 is a perspective view of a fog applicator for pesticide and herbicide chemical dispersion showing our new invention;
FIG. 2 is a top plan view thereof;
FIG. 3 is a front elevational view thereof;
FIG. 4 is a left side elevation view thereof, the right side being a mirror image;
FIG. 5 is a rear elevational view thereof;
FIG. 6 is a bottom plan view thereof; and
FIG. 7 is an enlarged view looking directly into a nozzle portion thereof.



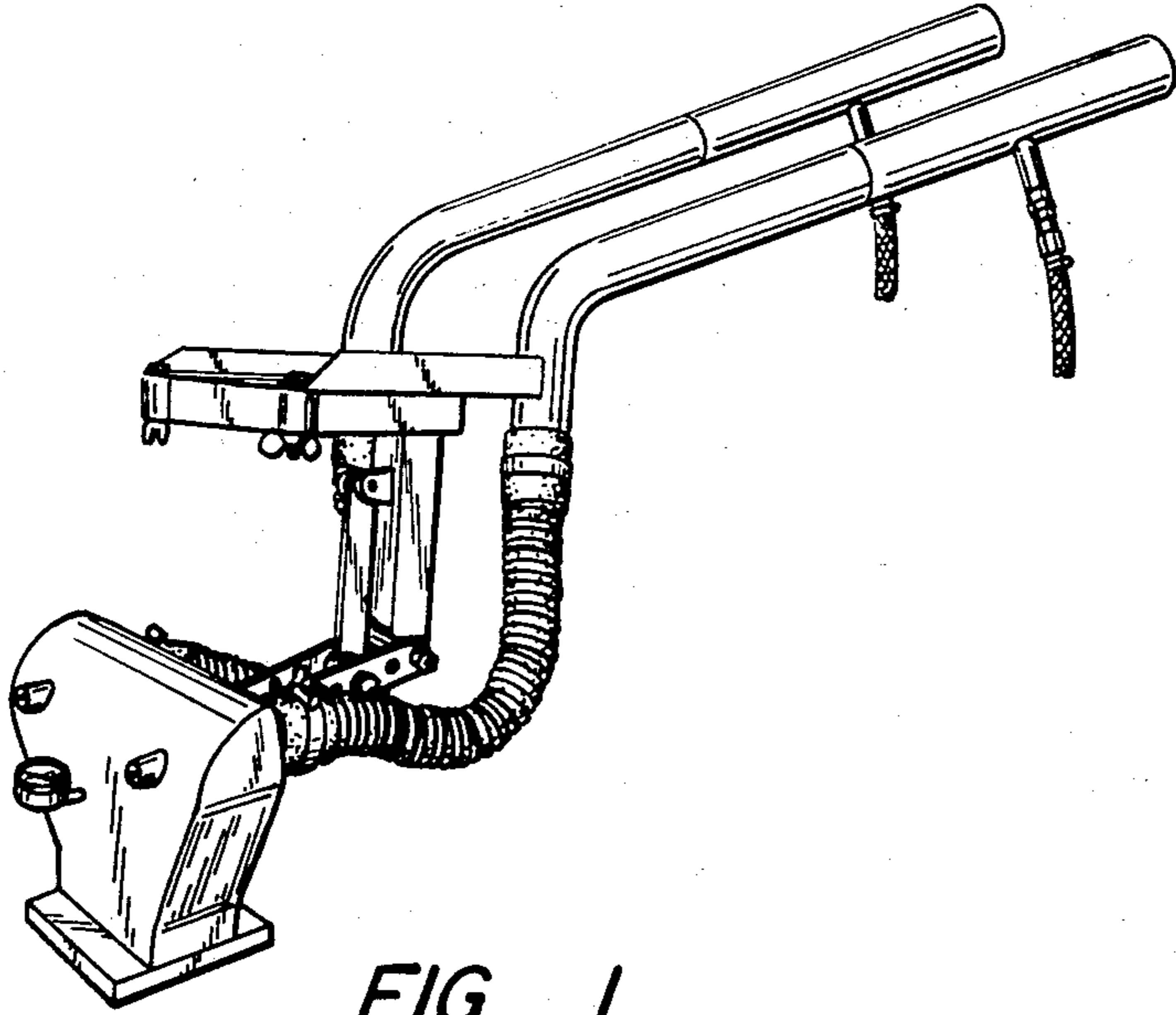


FIG. 1.

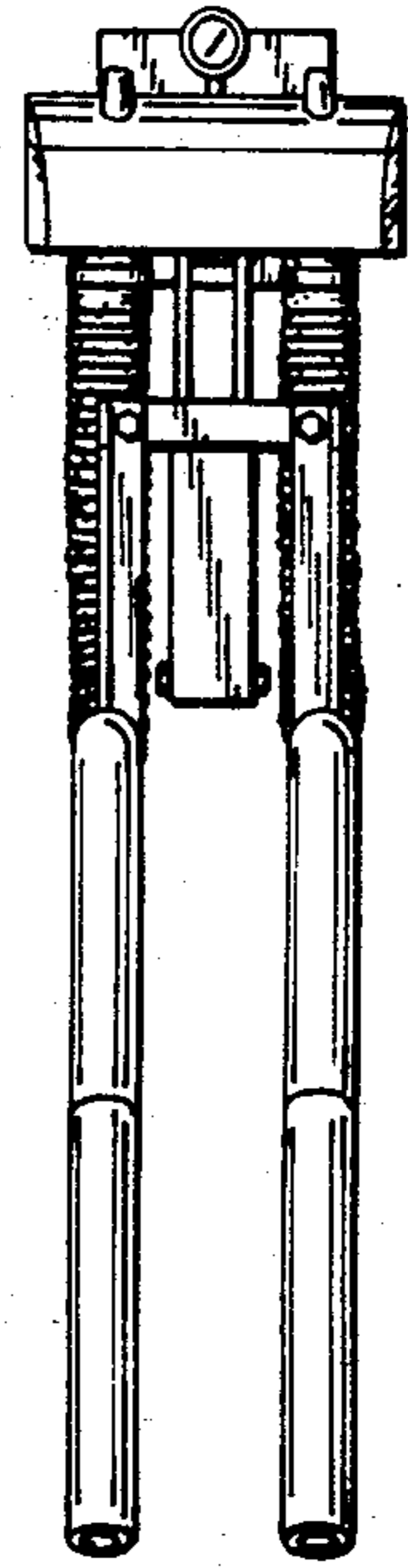


FIG. 2.

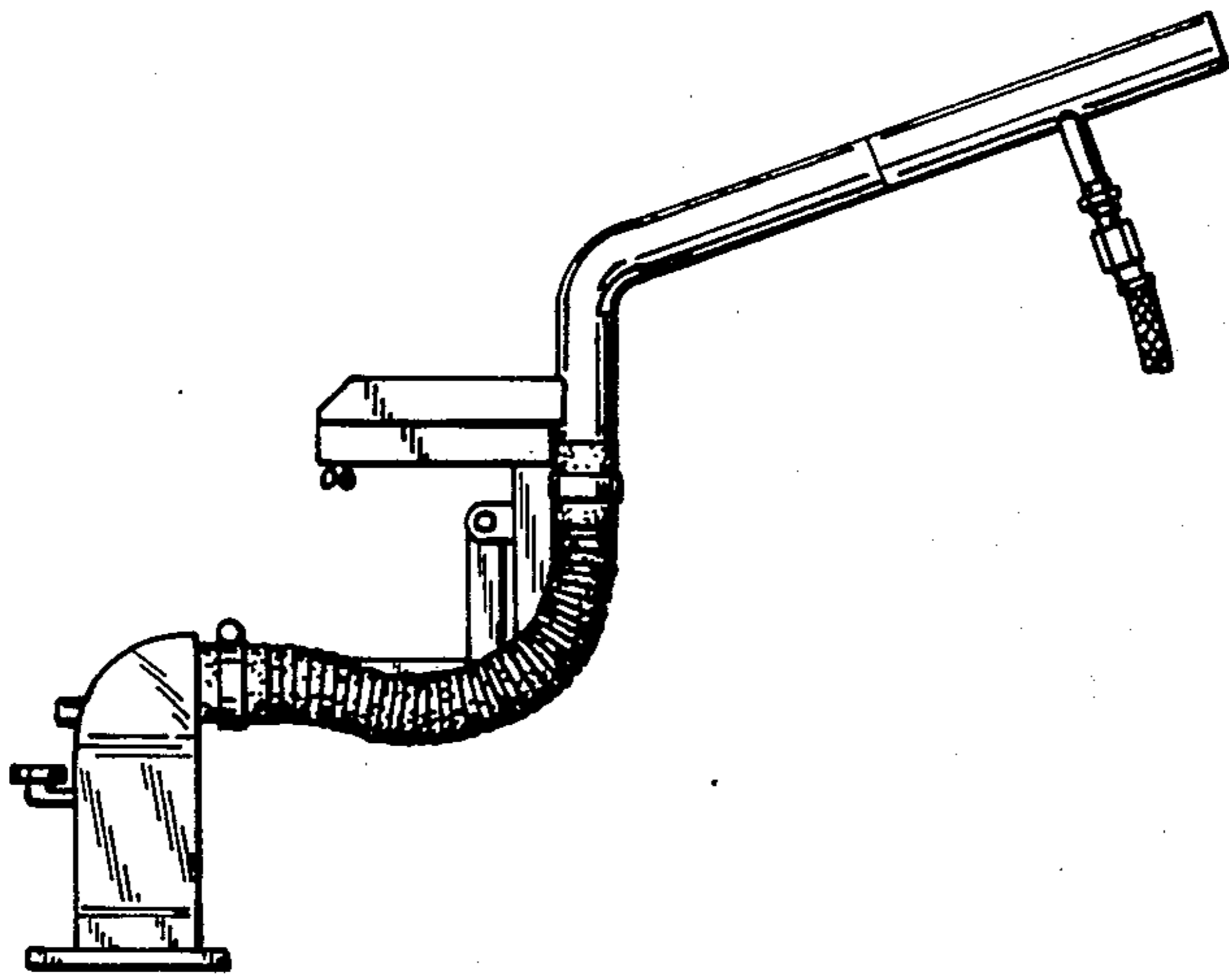


FIG. 4.

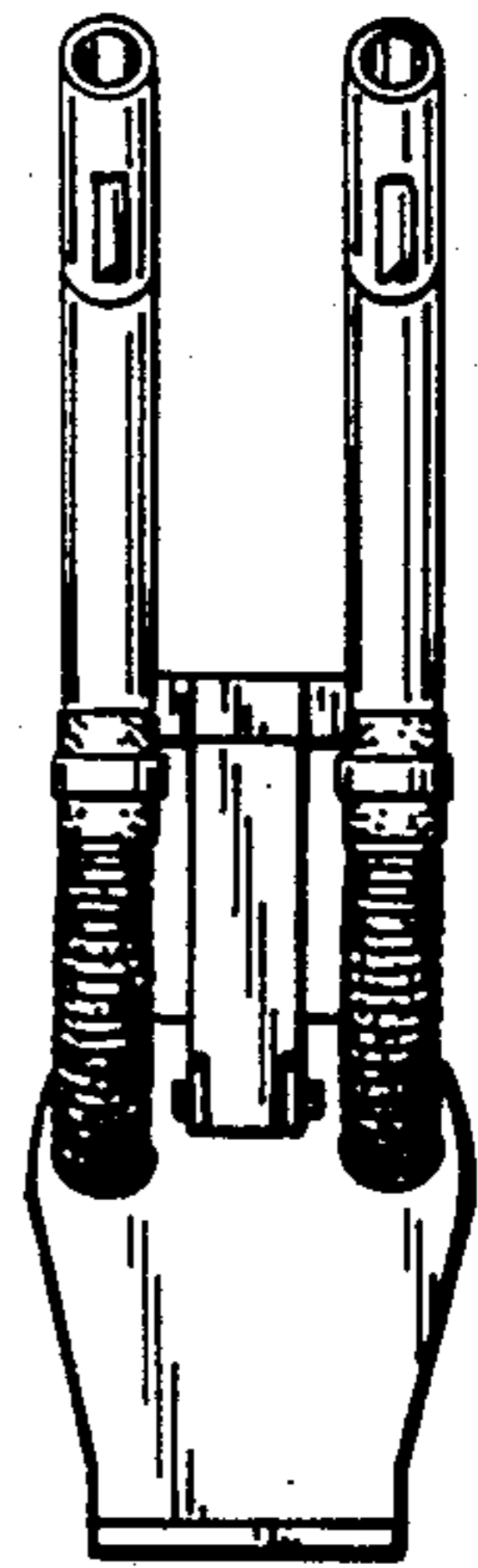


FIG. 3.

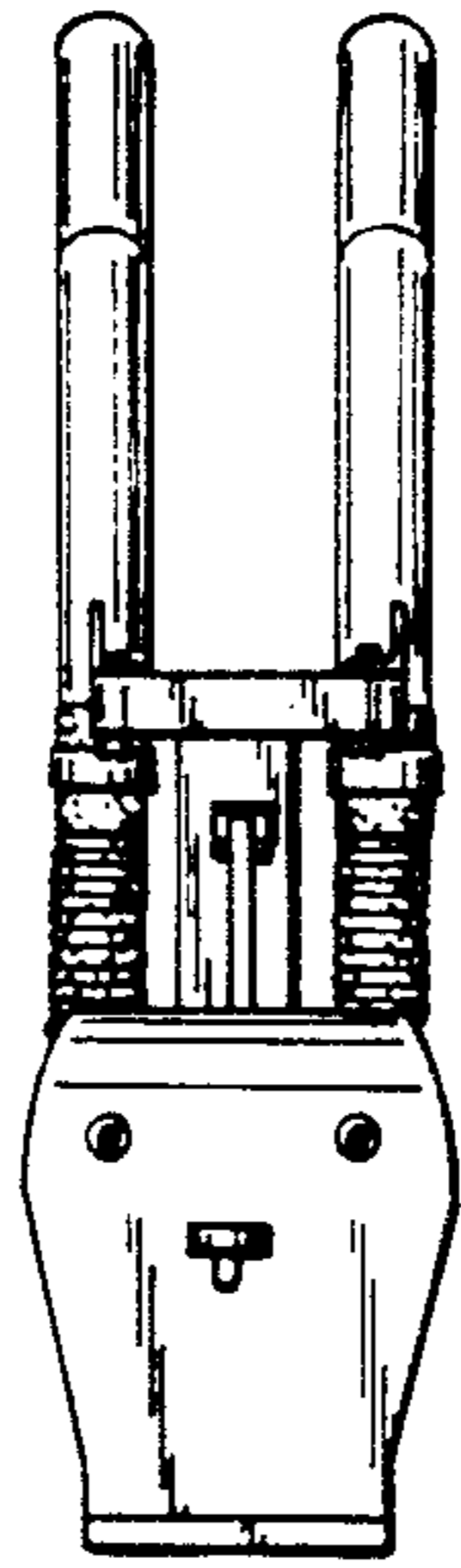


FIG. 5.

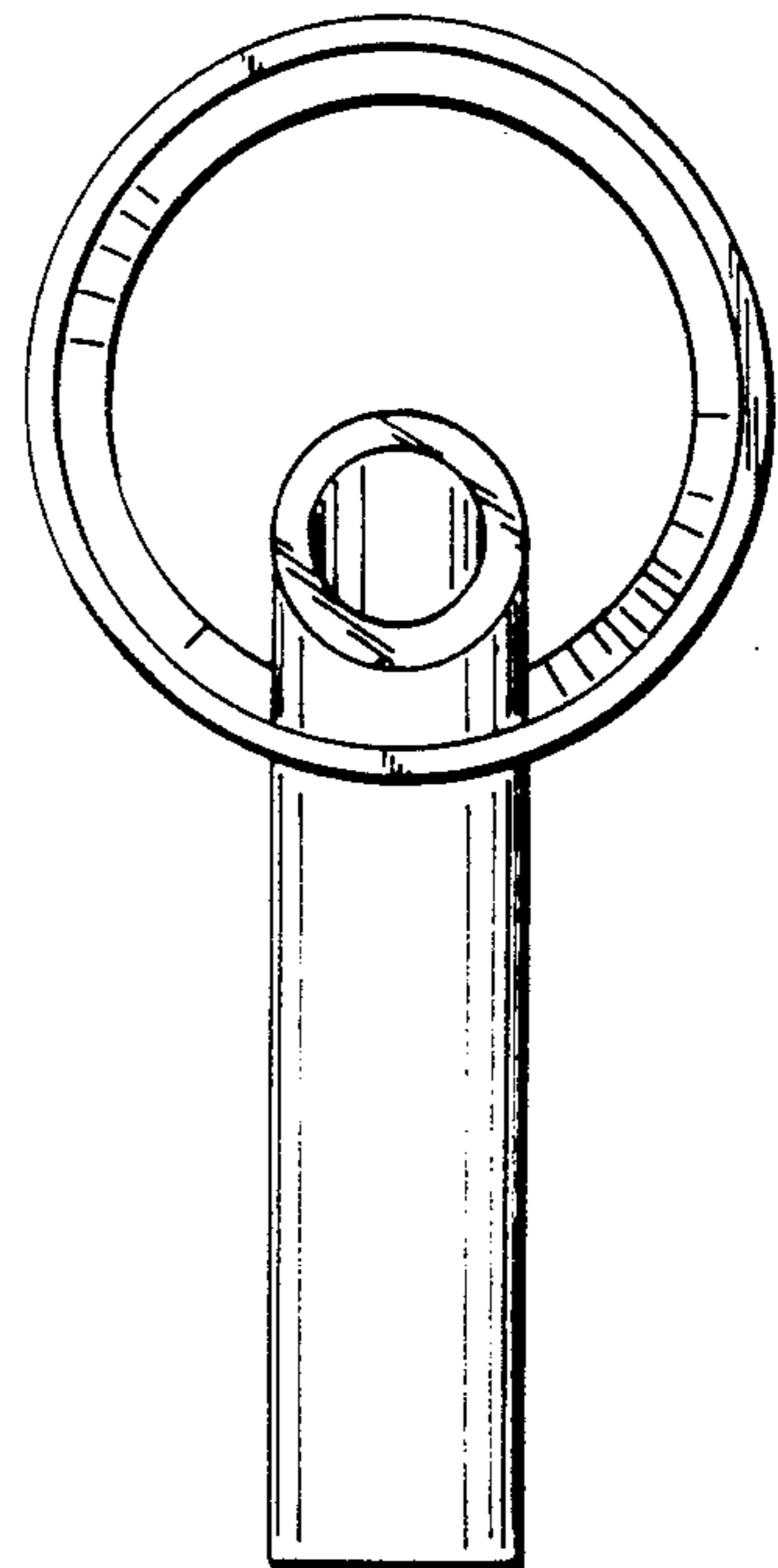


FIG. 7.

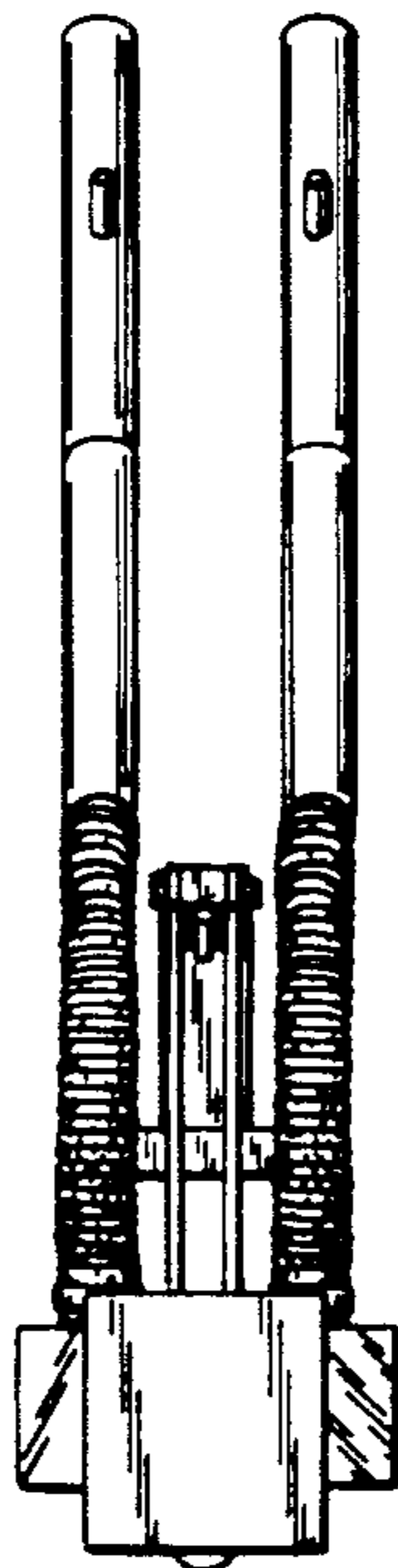


FIG. 6.