

[54] DISPLAY CASE

[76] Inventors: William J. Scheid, 179 Birkdale Rd., Scarborough, Ontario, Canada, M1P 3R9; Brian G. Nugent, 47 Braemar Dr., Bramalea, Ontario, Canada, L6T 2L5

[**] Term: 14 Years

[21] Appl. No.: 519,722

[22] Filed: Aug. 2, 1983

[52] U.S. Cl. D6/470; D6/559

[58] Field of Search D6/432, 470, 475, 476, D6/553, 559; 211/13; 312/245, 114

[56] References Cited

U.S. PATENT DOCUMENTS

D. 276,964	1/1985	Boland II	D6/476	X
2,771,991	11/1956	Eisele	211/13	X
3,963,289	6/1976	Pralle	312/245	

Primary Examiner—Carmen H. Vales

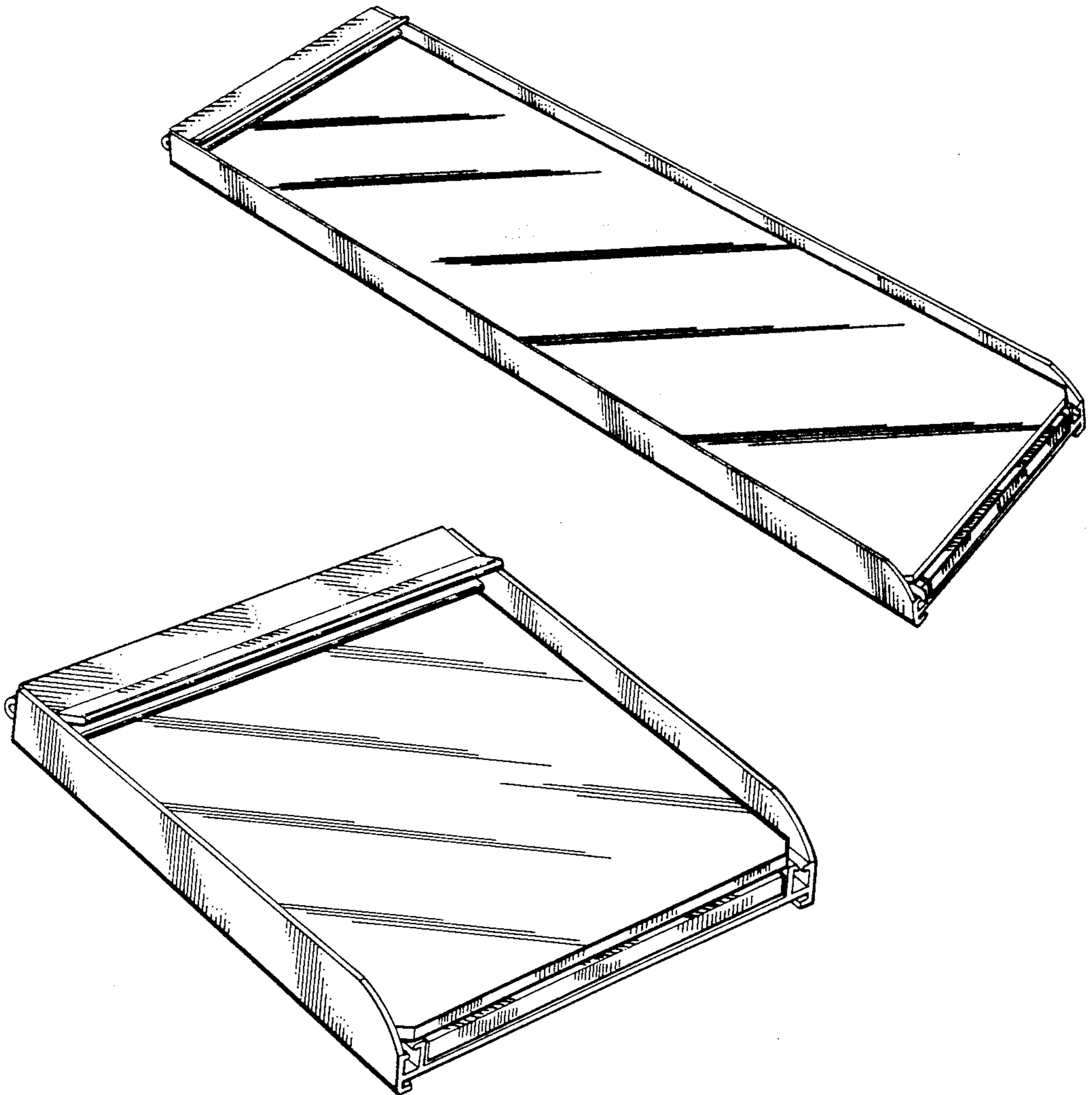
Attorney, Agent, or Firm—Brant Latham

[57] CLAIM

The ornamental design for an information display case, substantially as shown and described.

DESCRIPTION

FIG. 1 is a perspective view of an information display case showing our new design;
 FIG. 2 is a left end elevational view thereof;
 FIG. 3 is a right end elevational view thereof;
 FIG. 4 is a top plan view thereof;
 FIG. 5 is a side elevational view thereof, the opposite side being a mirror image thereof;
 FIG. 6 is a bottom plan view thereof;
 FIG. 7 is a perspective view of a second embodiment of the information display case shown in FIG. 1; and
 FIG. 8 is a perspective view of a third embodiment of the information display case shown in FIG. 1, the case is broken away for convenience of illustration.
 The other sides of the embodiments shown in FIGS. 7 and 8 being identical to the first embodiment other than as to relative length thereof.



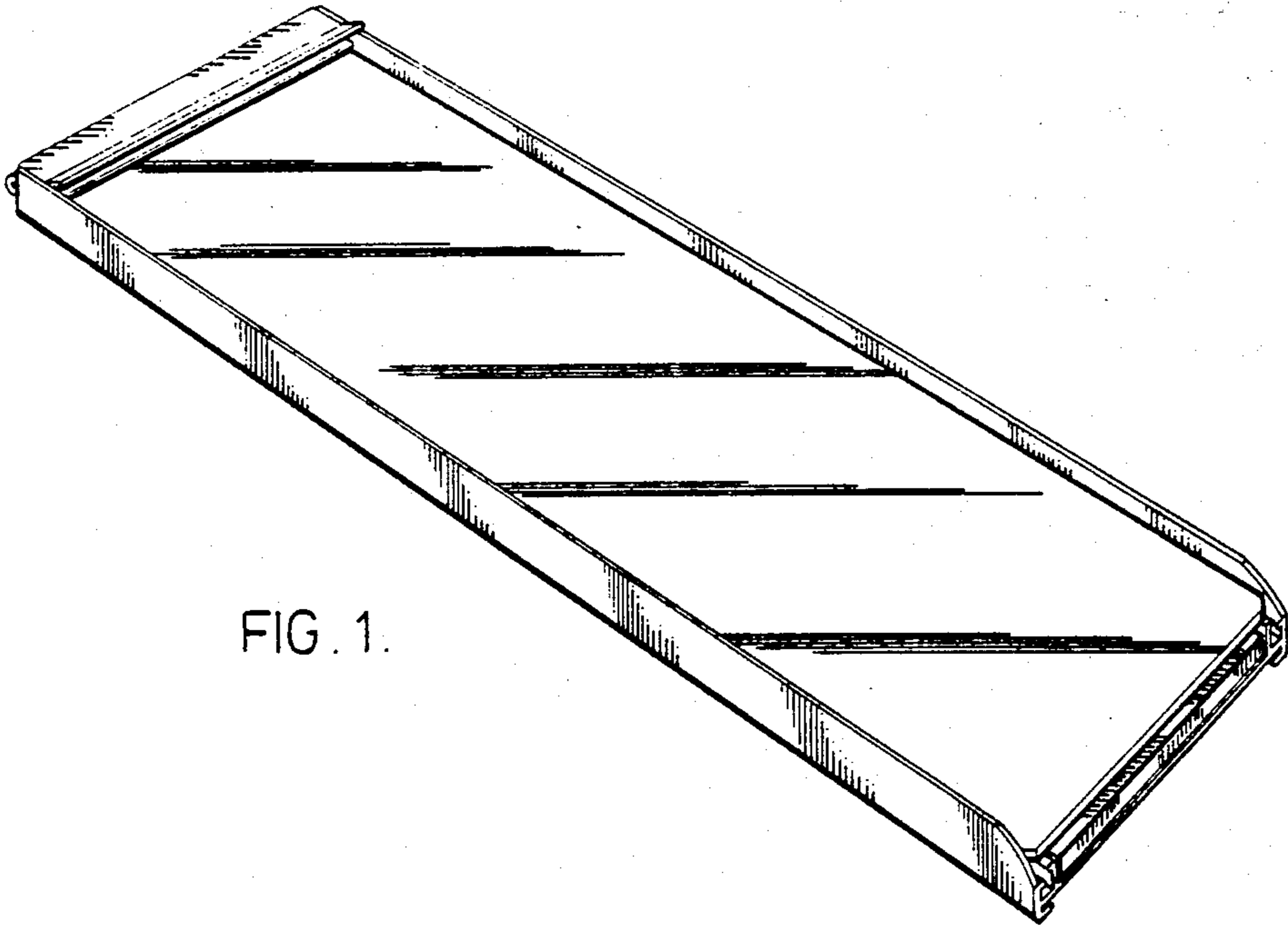


FIG. 1.



FIG. 2.

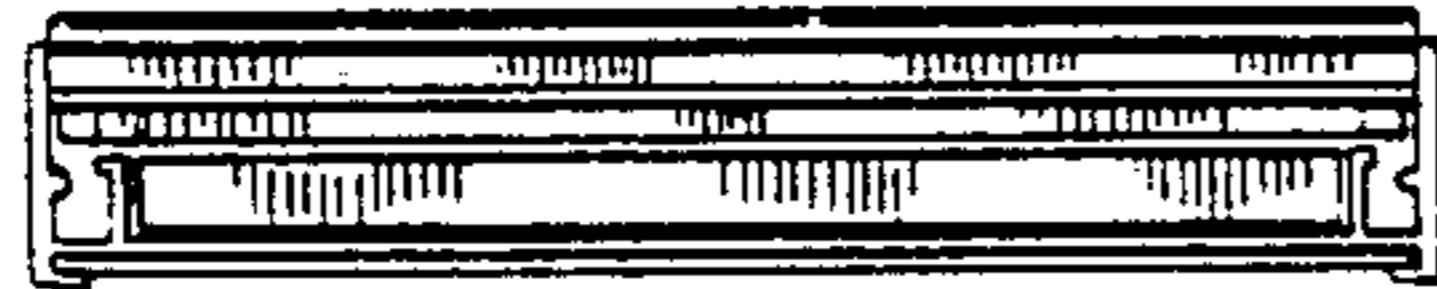


FIG. 3.

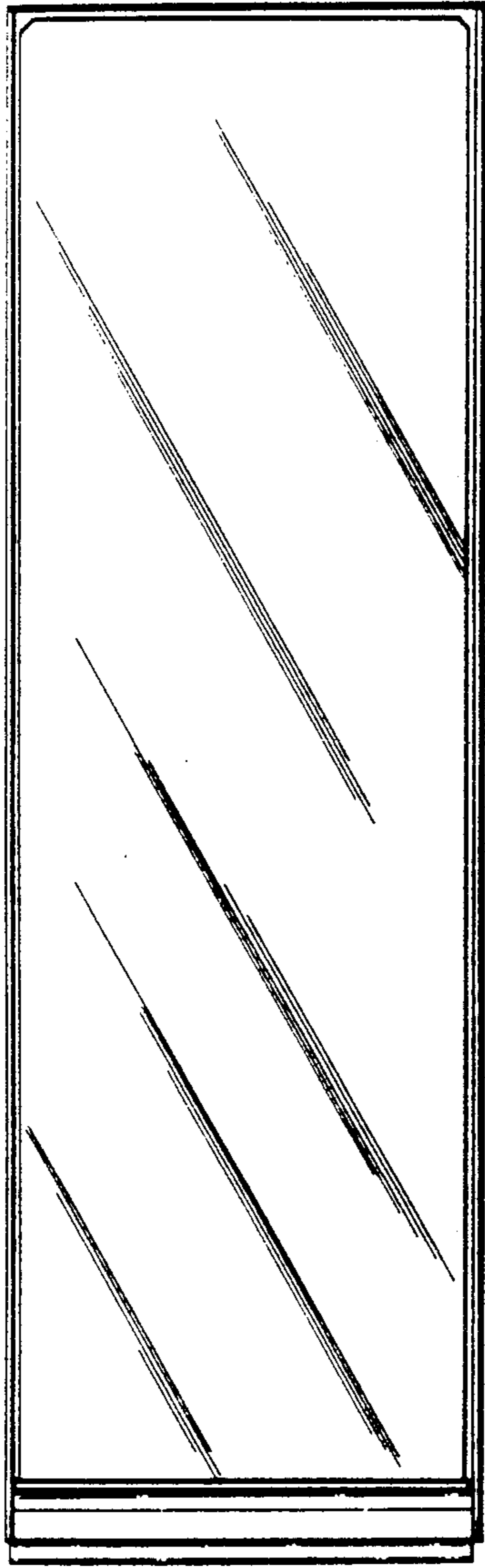


FIG. 4.



FIG. 5.

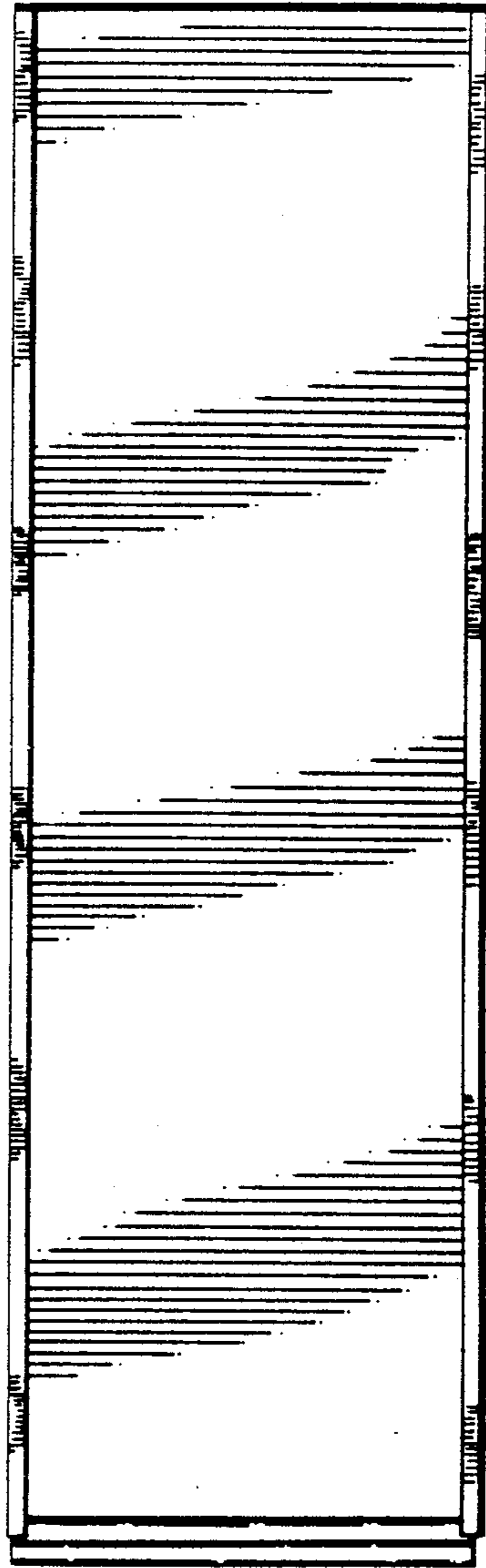


FIG. 6.

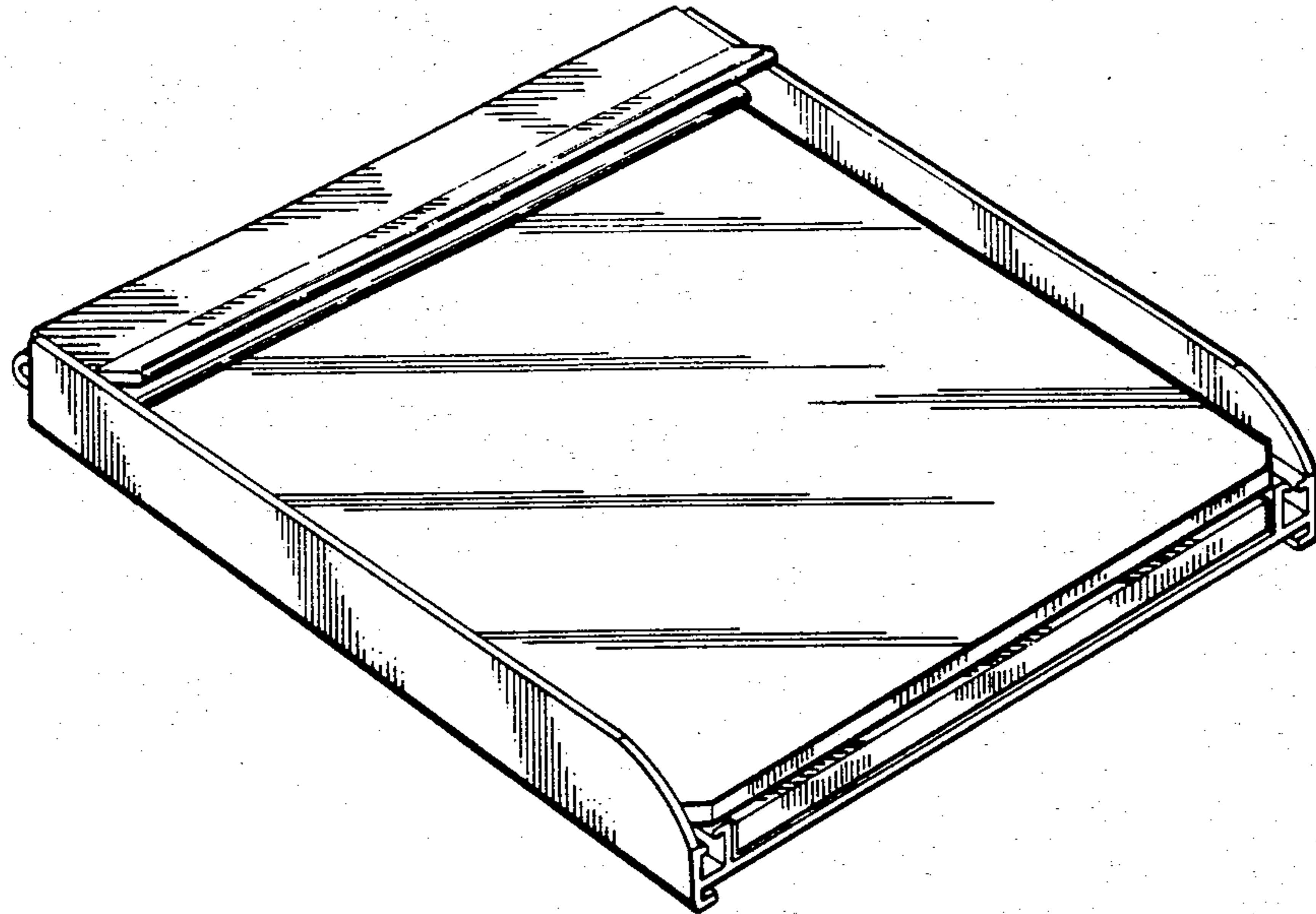


FIG. 7.

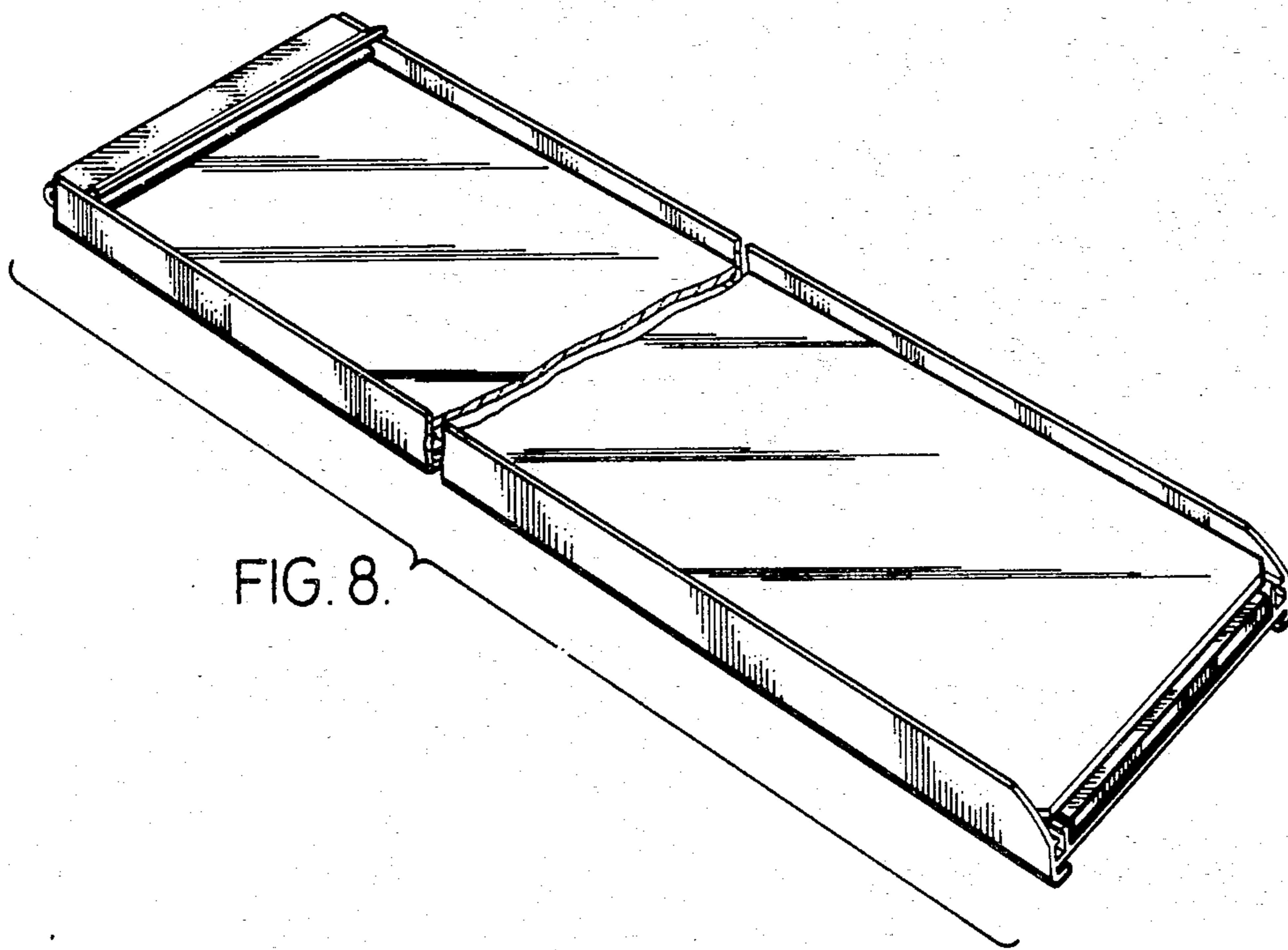


FIG. 8.