

[54] TABLE

[75] Inventor: Richard D. Berry, Jr., Hickory, N.C.

[73] Assignee: Design Institute America, Inc.,
Montpelier, Ohio

[*] Notice: The portion of the term of this patent
subsequent to Jun. 24, 2000 has been
disclaimed.

[**] Term: 14 Years

[21] Appl. No.: 512,336

[22] Filed: Jul. 11, 1983

[52] U.S. Cl. D6/430; D6/478;
D6/479

[58] Field of Search D6/405, 429, 449, 460,
D6/461, 465, 474, 477, 479, 480, 484, 488

[56] References Cited

U.S. PATENT DOCUMENTS

D. 166,991	6/1952	Ovendale	D6/474
D. 188,401	7/1960	Lux	D6/474
D. 236,054	7/1975	Ginat	D6/479
D. 254,826	4/1980	Crespi	D6/474
D. 258,177	2/1981	Baker	D6/478
D. 260,339	8/1981	Yoshizawa	D6/429

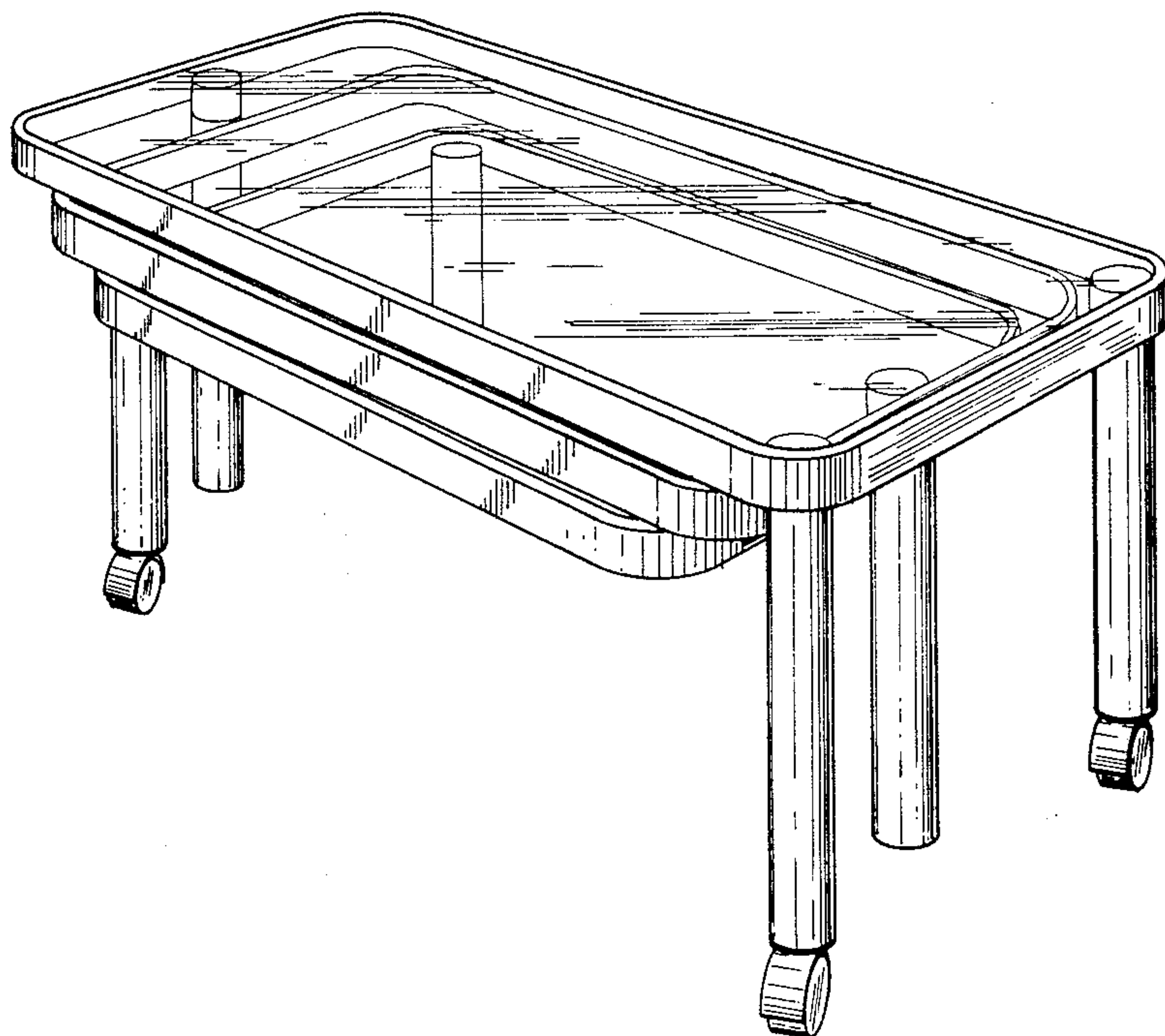
Primary Examiner—Bruce W. Dunkins
Attorney, Agent, or Firm—Marshall & Melhorn

[57] CLAIM

The ornamental design for a table, as shown.

DESCRIPTION

FIG. 1 is a perspective view of a table embodying my
new design;
FIG. 2 is a top plan view thereof;
FIG. 3 is a front elevational view thereof;
FIG. 4 is a side elevational view taken from the right-
hand side of FIG. 3; and
FIG. 5 is a side elevational view taken from the left-
hand side of FIG. 3.



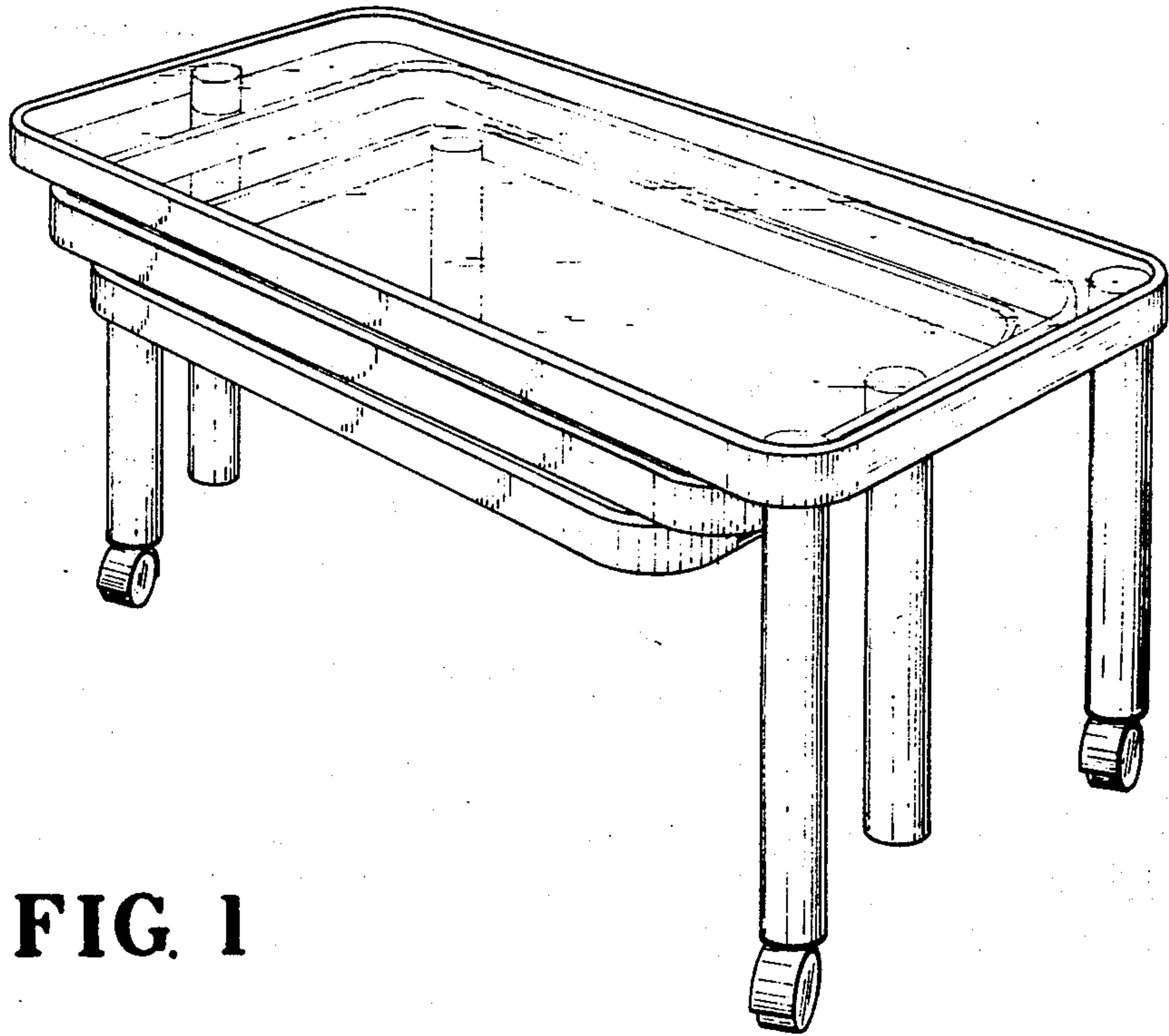


FIG. 1

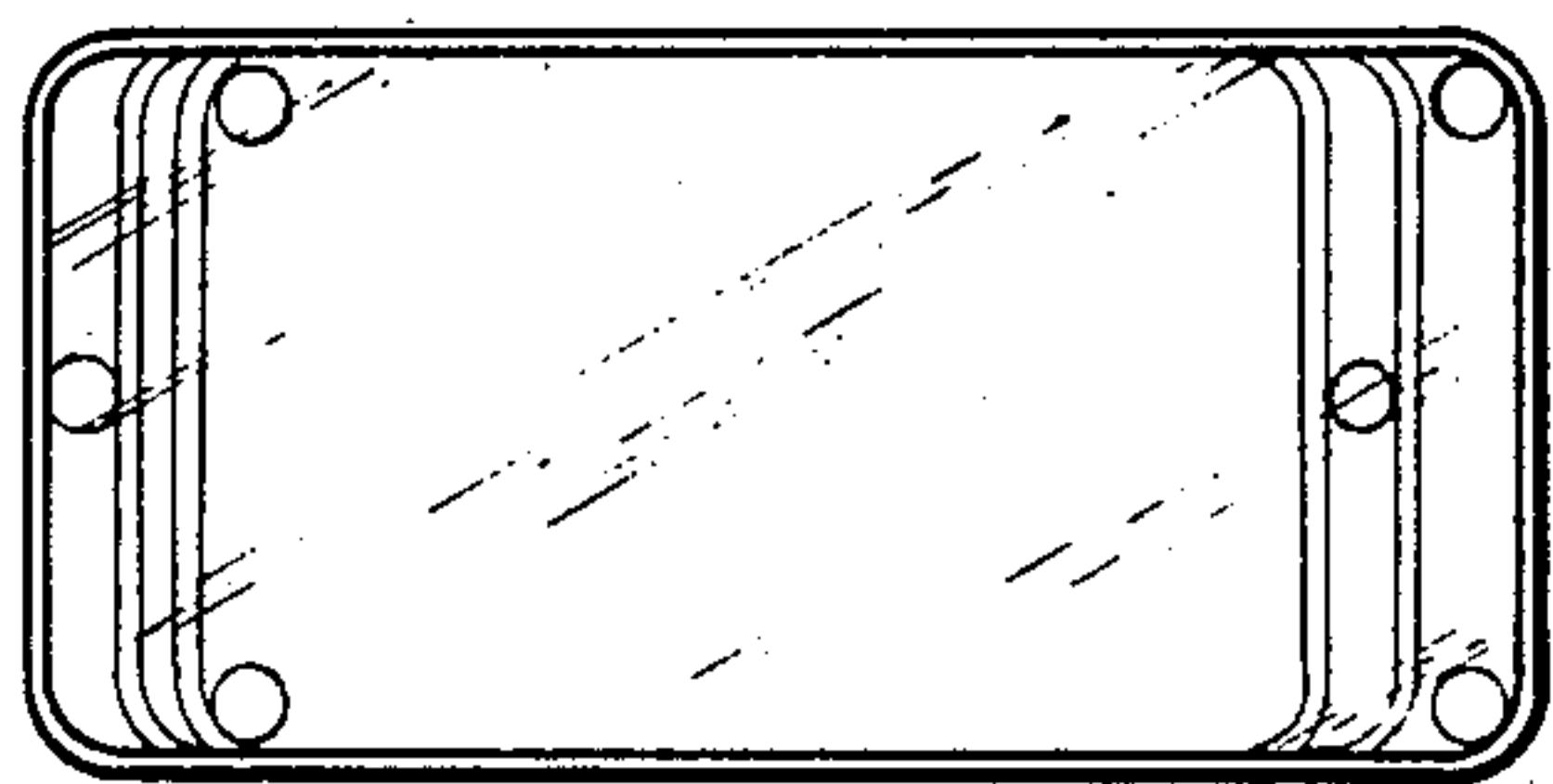


FIG. 2

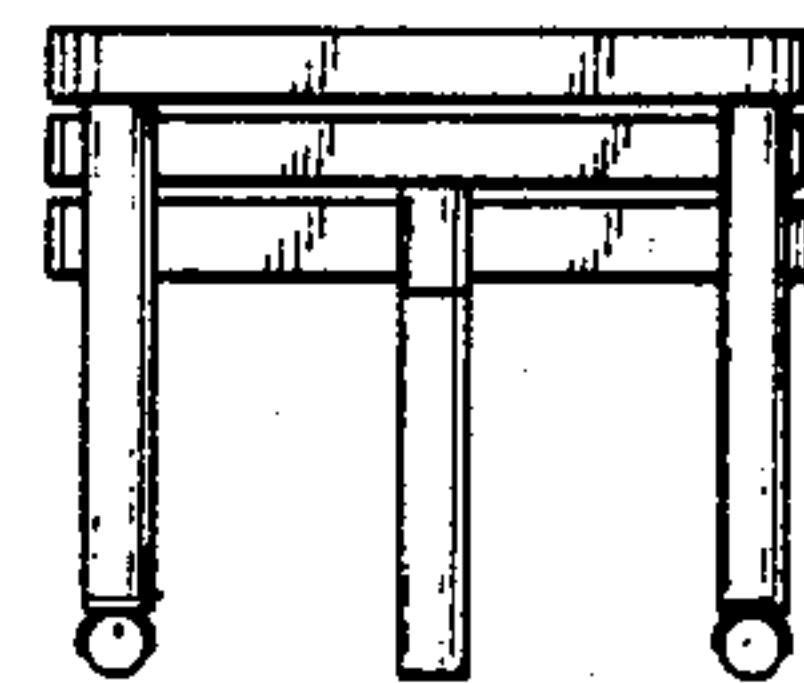


FIG. 4

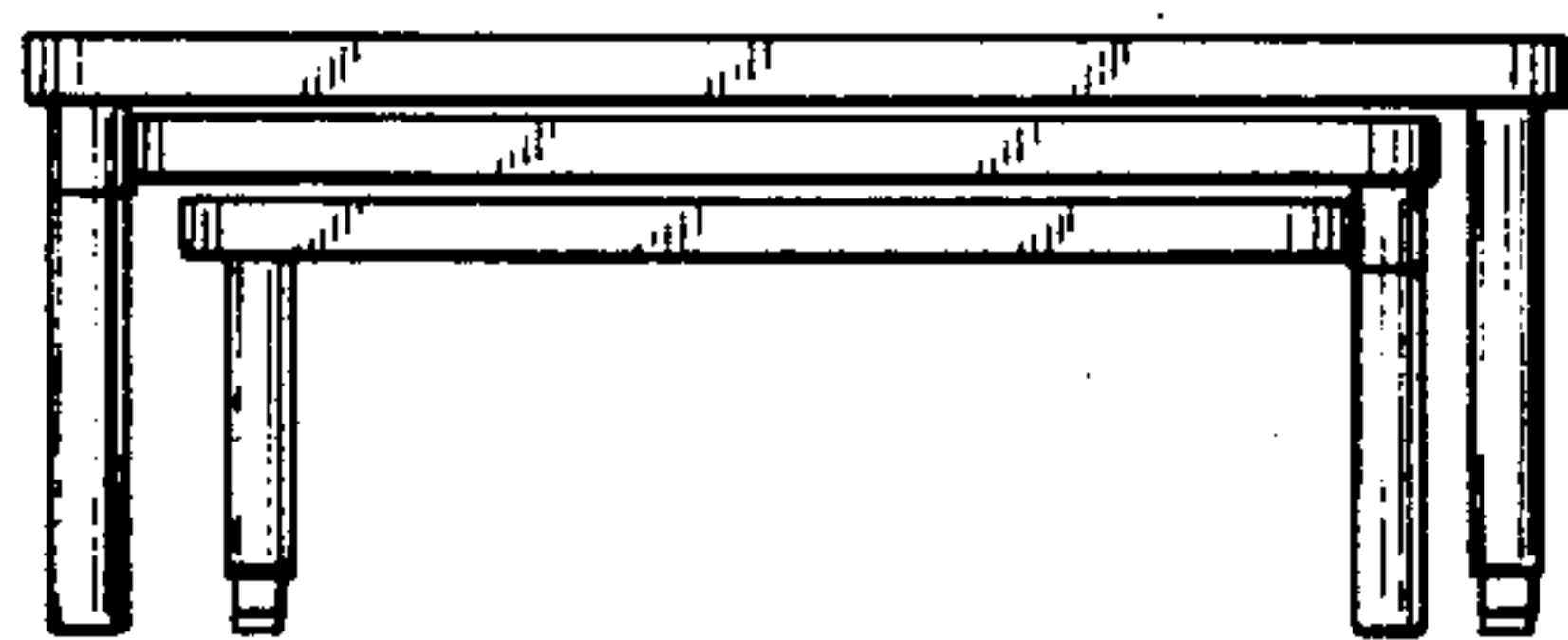


FIG. 3

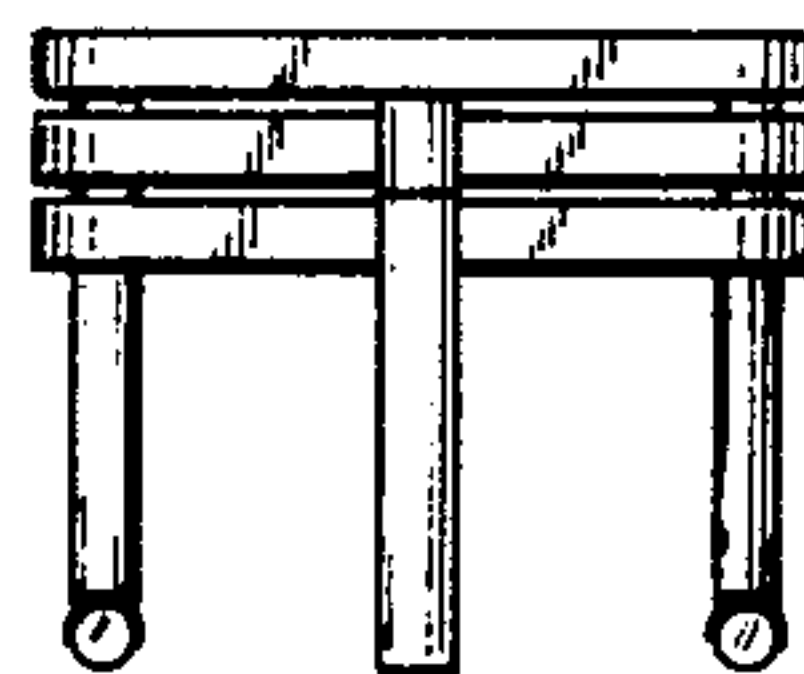


FIG. 5