

[54] SHOE RACK

[76] Inventor: Robert L. Bowsher, 212 - 19th Ave., Moline, Ill. 61265

[**] Term: 14 Years

[21] Appl. No.: 582,001

[22] Filed: Feb. 21, 1984

[52] U.S. Cl. D6/412; D6/450

[58] Field of Search D6/411, 412, 413, 414, D6/415, 416, 449, 450, 451, 272, 273, 316; 211/34, 35, 36, 37, 38

[56] References Cited

U.S. PATENT DOCUMENTS

D. 271,549 11/1983 Bowsher D6/316

OTHER PUBLICATIONS

"Texas Brand Boots" 1966; Boots on Page.

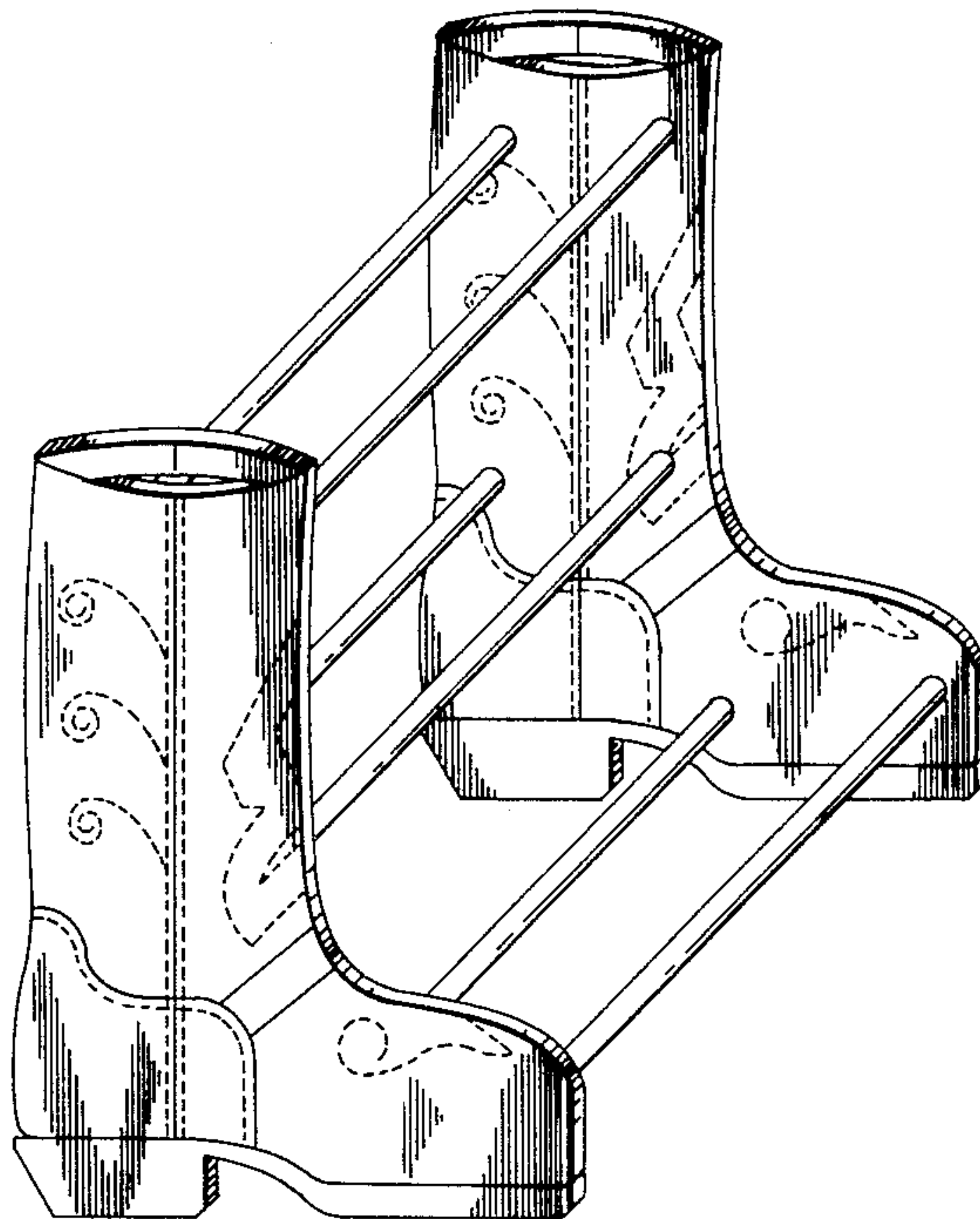
Primary Examiner—Carmen H. Vales
Attorney, Agent, or Firm—Henderson & Sturm

[57] CLAIM

The ornamental design for a shoe rack, substantially as shown and described.

DESCRIPTION

FIG. 1 is a top plan view of a shoe rack showing my new design;
FIG. 2 is a rear elevational view thereof;
FIG. 3 is a side elevational view thereof;
FIG. 4 is a right perspective view thereof; and
FIG. 5 is a left perspective view thereof.



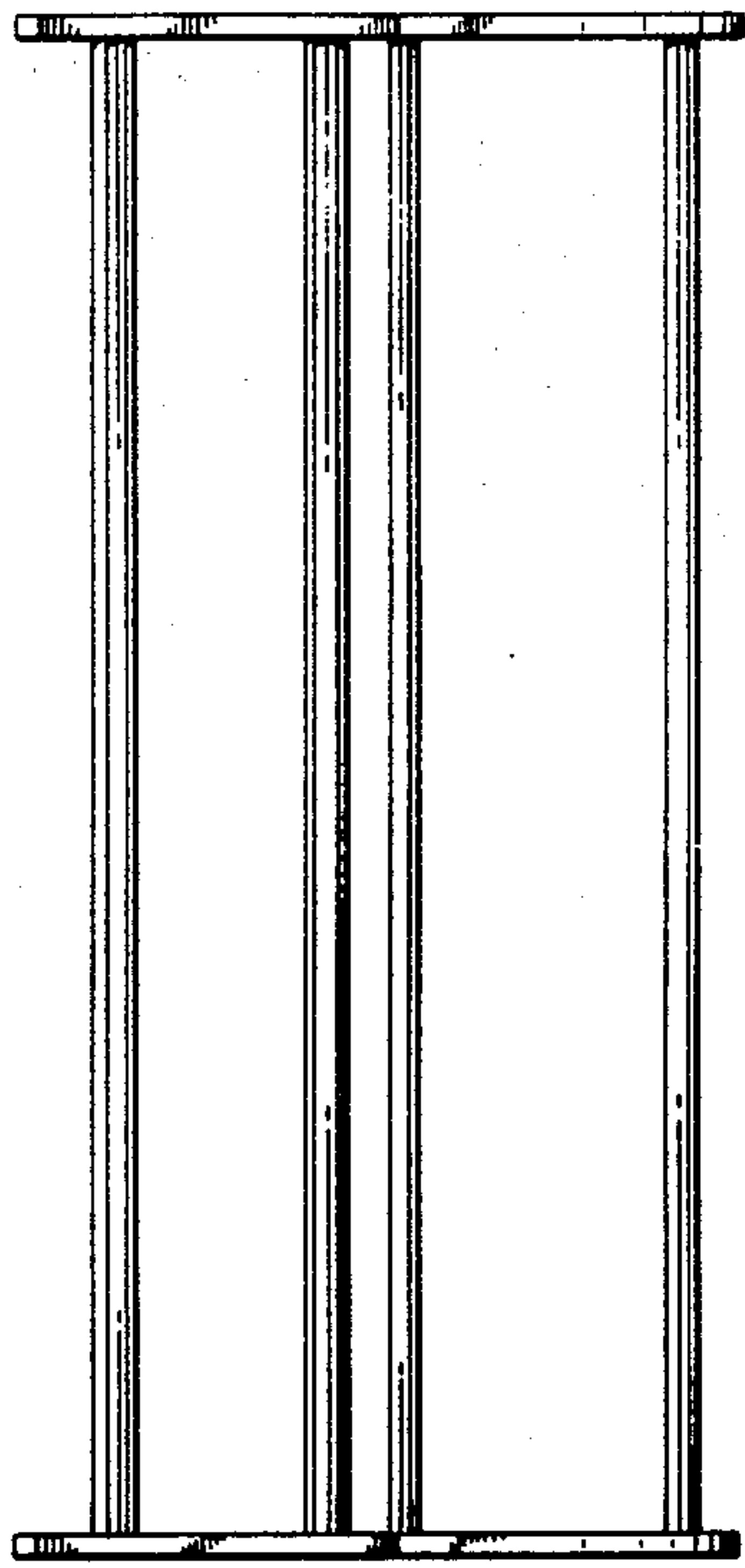


Fig. 1

Fig. 3

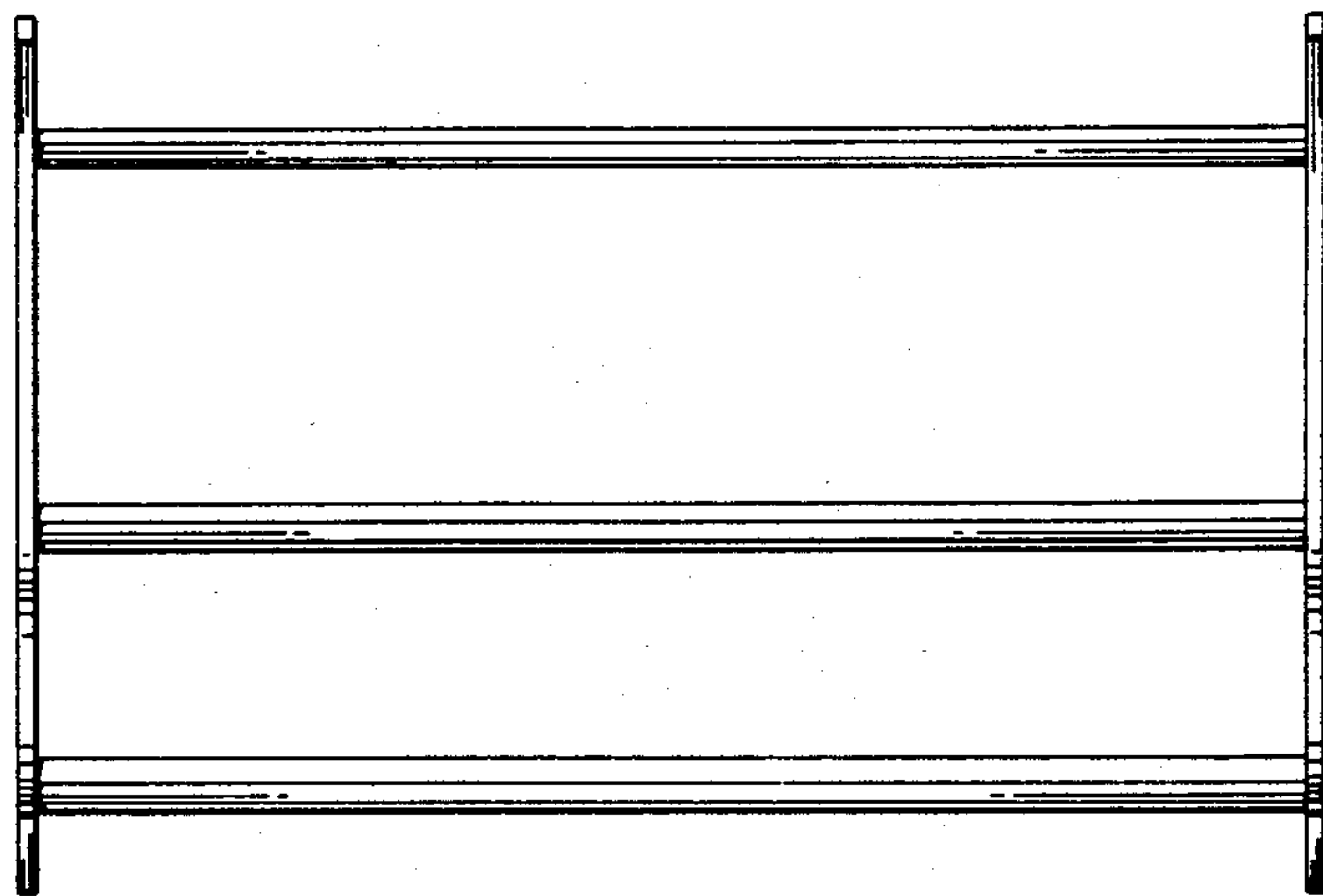
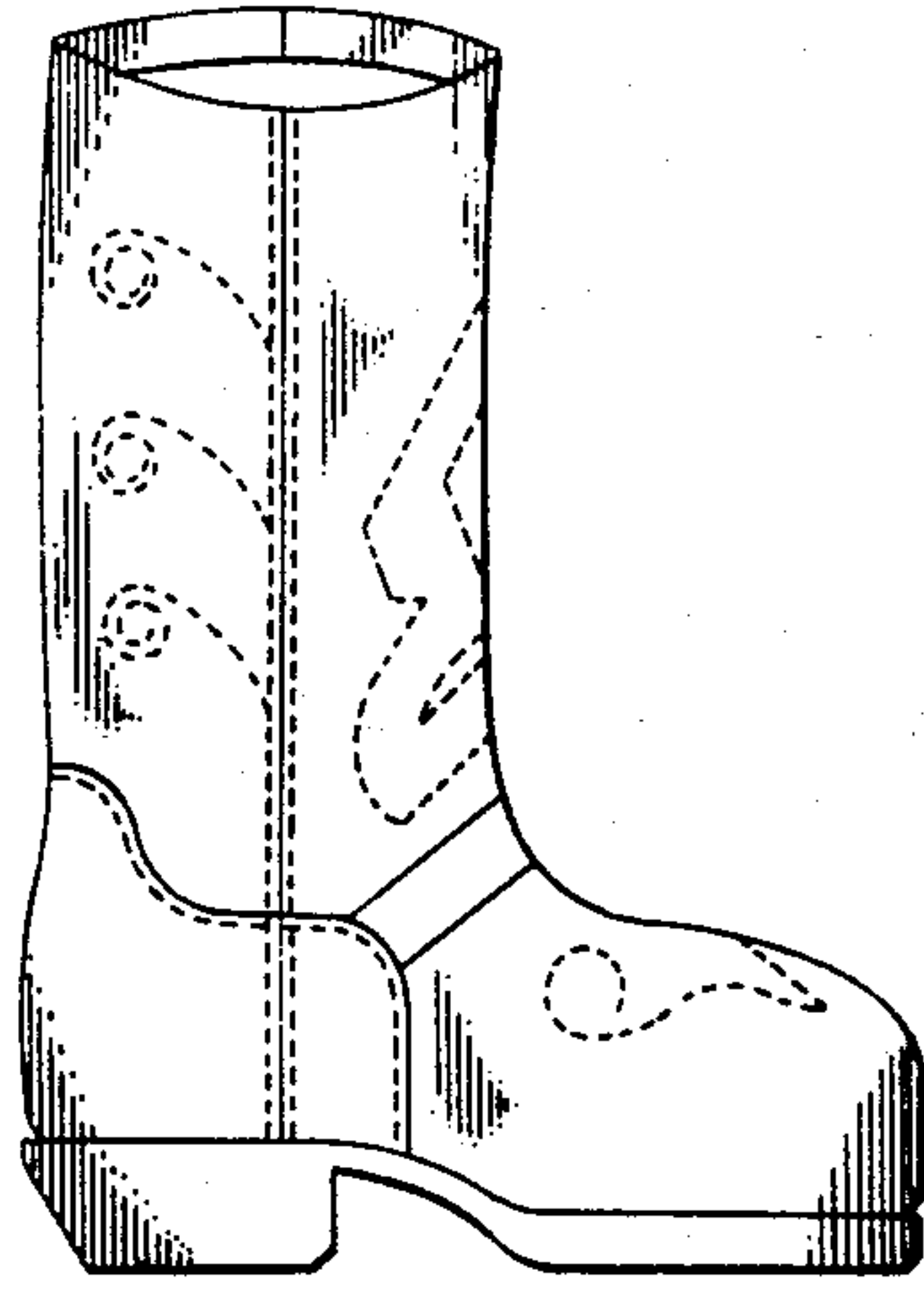


Fig. 2

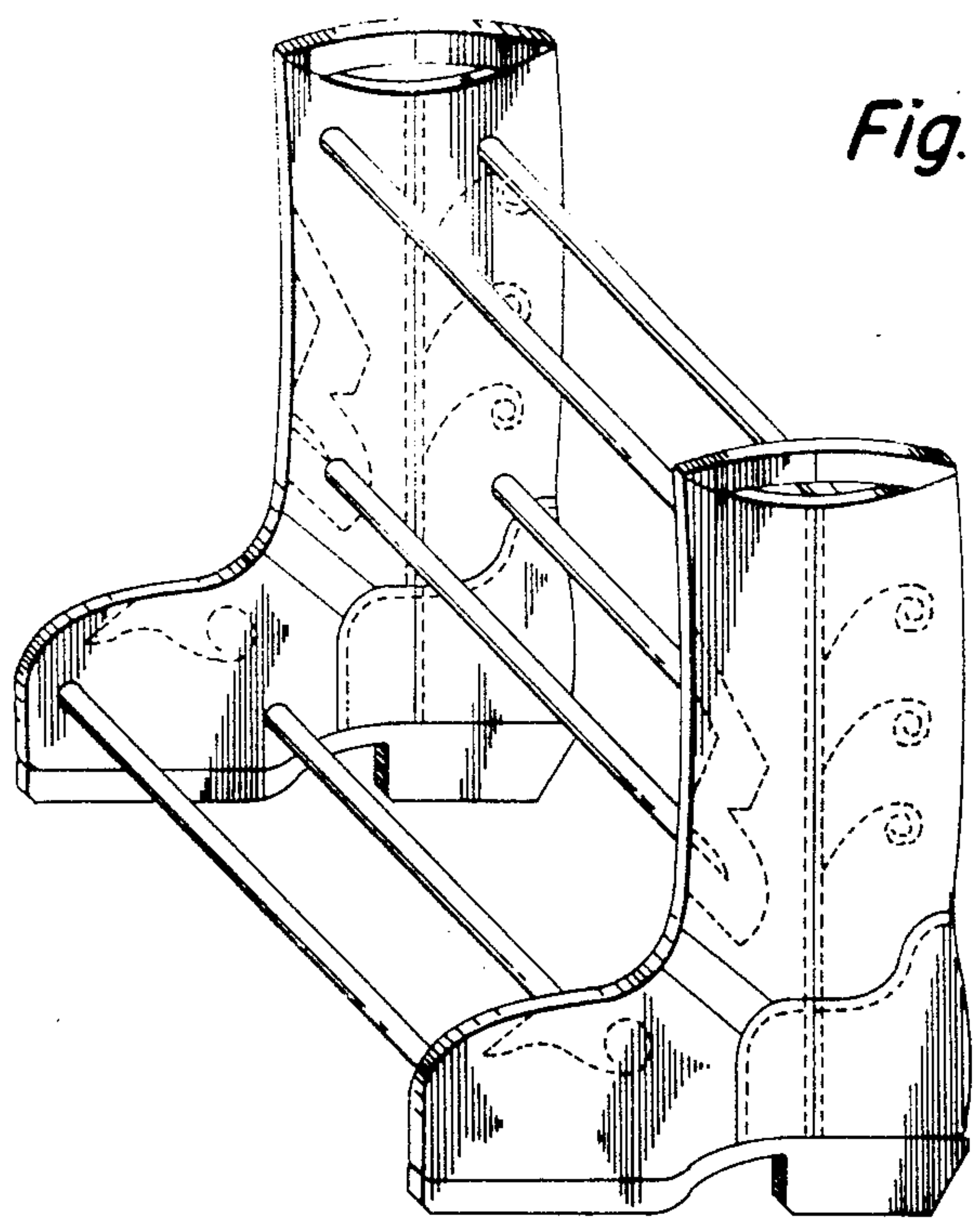


Fig. 4

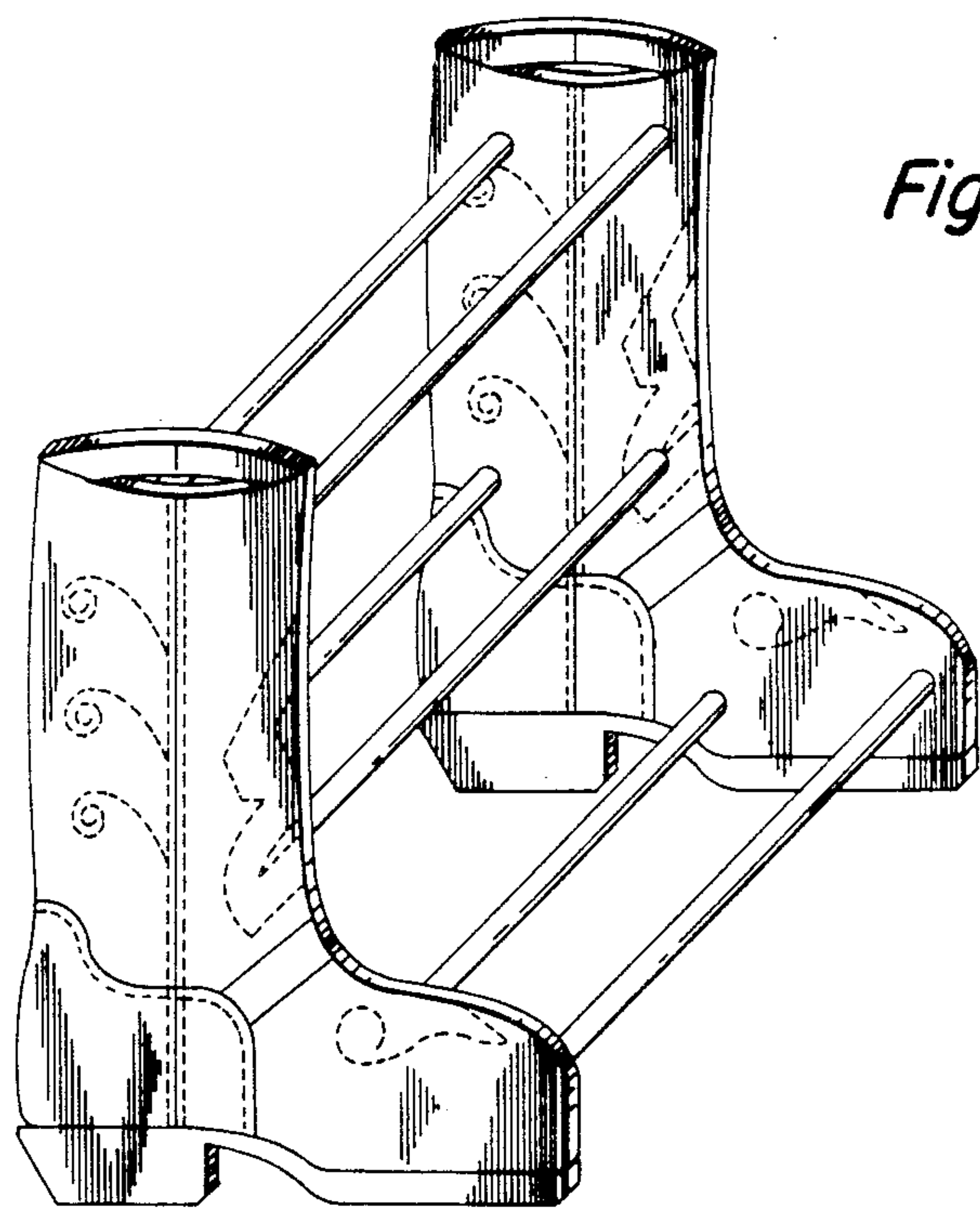


Fig. 5