

[54] DISPLAY STAND FOR FLOWERS

D. 259,082 5/1981 Corelli ..... D6/459  
3,942,647 3/1976 Crosslen ..... D6/457 X

[76] Inventor: Rene J. T. M. Pas, Kapellenberglaan  
44, Rozendaal (Gld.), Netherlands

FOREIGN PATENT DOCUMENTS

[\*\*] Term: 14 Years

1115644 4/1956 France ..... D11/152

[21] Appl. No.: 602,658

Primary Examiner—Carmen H. Vales  
Attorney, Agent, or Firm—Rodgers & Rodgers

[22] Filed: Apr. 20, 1984

[57] CLAIM

[52] U.S. Cl. .... D6/405; D6/434;  
D6/450; D6/455; D6/457

The ornamental design for a display stand for flowers,  
as shown and described.

[58] Field of Search ..... D6/403, 404, 405, 449,  
D6/450, 451, 466, 467, 475, 476, 473, 459, 434,  
455, 457; D11/143, 152; 211/13, 133; D25/16,  
56

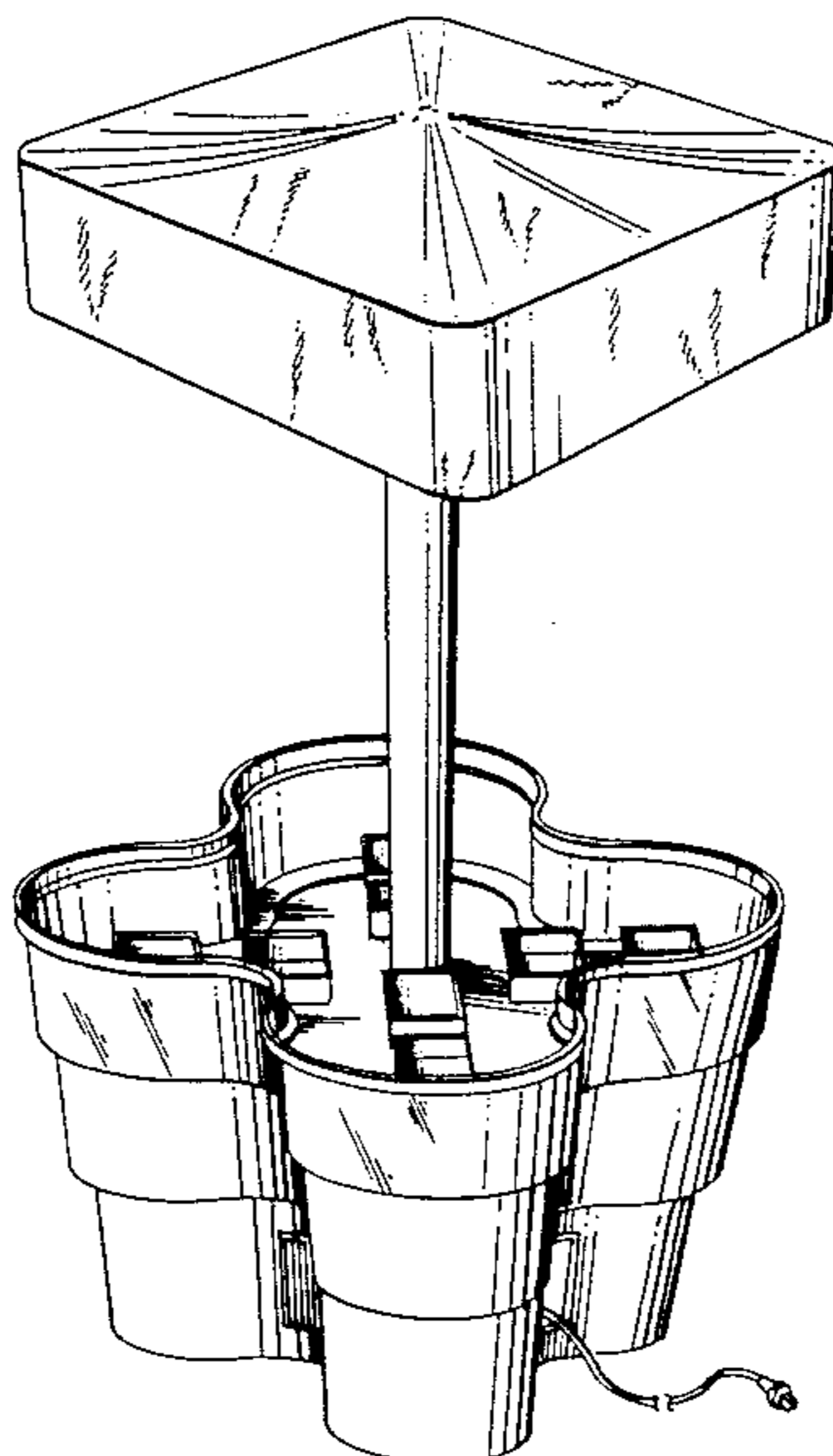
DESCRIPTION

[56] References Cited

U.S. PATENT DOCUMENTS

- D. 75,233 5/1928 Geisenberger et al. .... D25/16 X
- D. 130,415 11/1941 Pitner et al. .... D6/473
- D. 231,814 6/1974 Weaver ..... D6/455 X
- D. 238,923 2/1976 Brown et al. .... D6/450 X
- D. 254,327 2/1980 Tasse ..... D25/16 X
- D. 256,530 8/1980 Johnson ..... D6/455

FIG. 1 is a perspective view of a display stand for flowers showing my new design;  
FIG. 2 is a front elevational view thereof; the side views being identical thereto;  
FIG. 3 is a rear elevational view thereof;  
FIG. 4 is a top plan view thereof;  
FIG. 5 is a top plan view with the canopy removed for convenience of illustration; and  
FIG. 6 is a bottom plan view of FIG. 1.  
The showing of the electric cord broken away in FIGS. 1, 3 and 4-6 is for convenience of illustration.



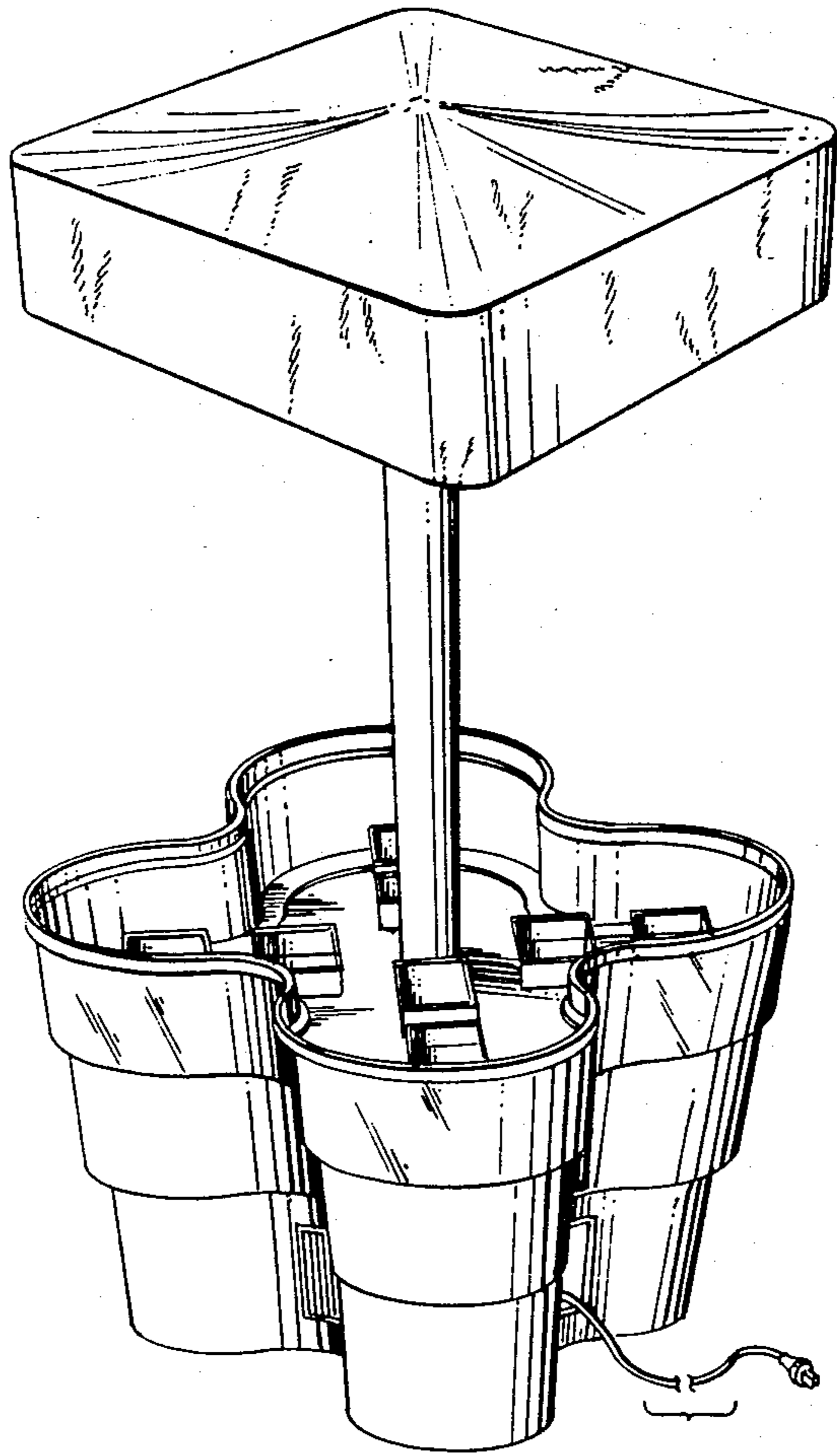


FIG. 1

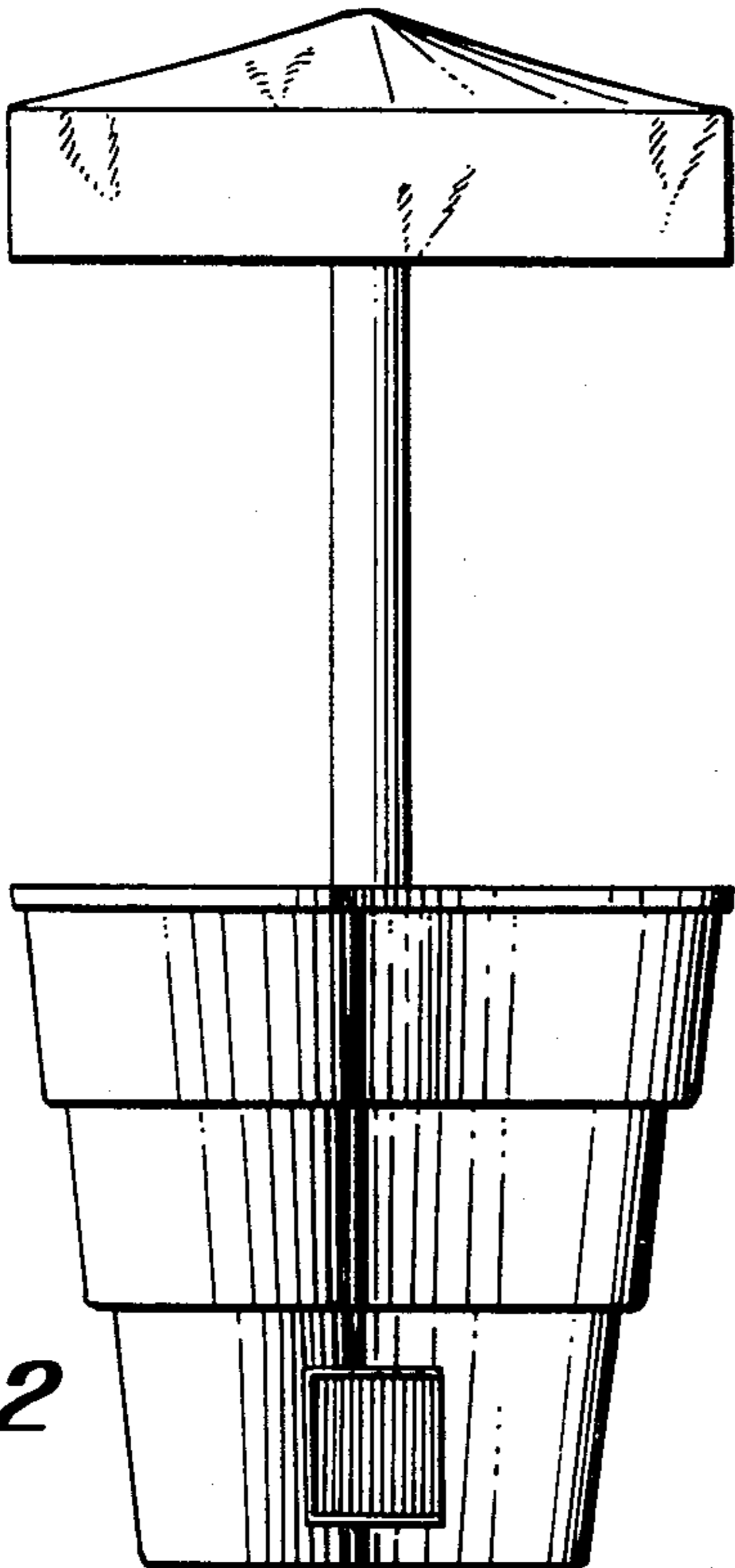


FIG. 2

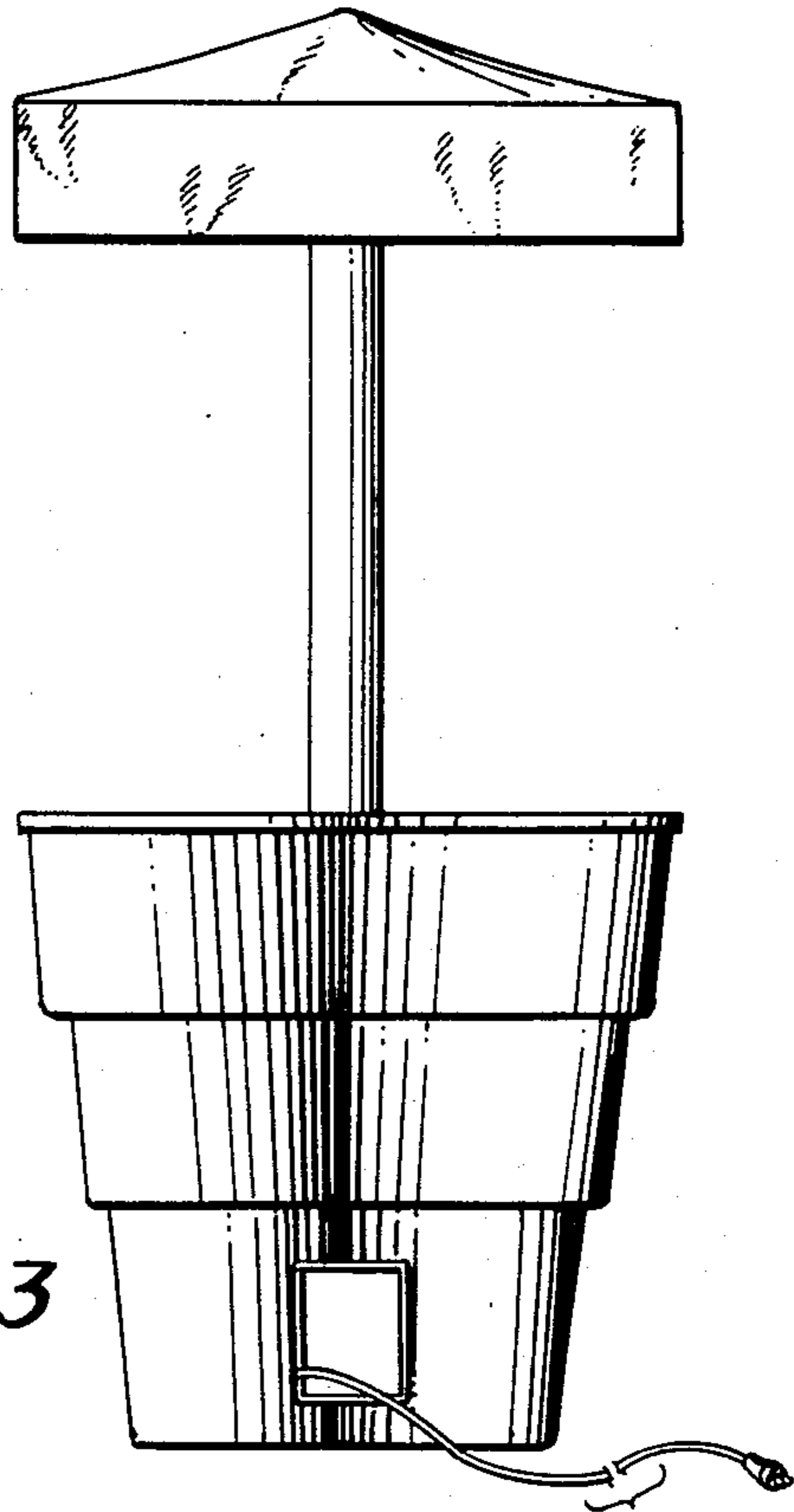
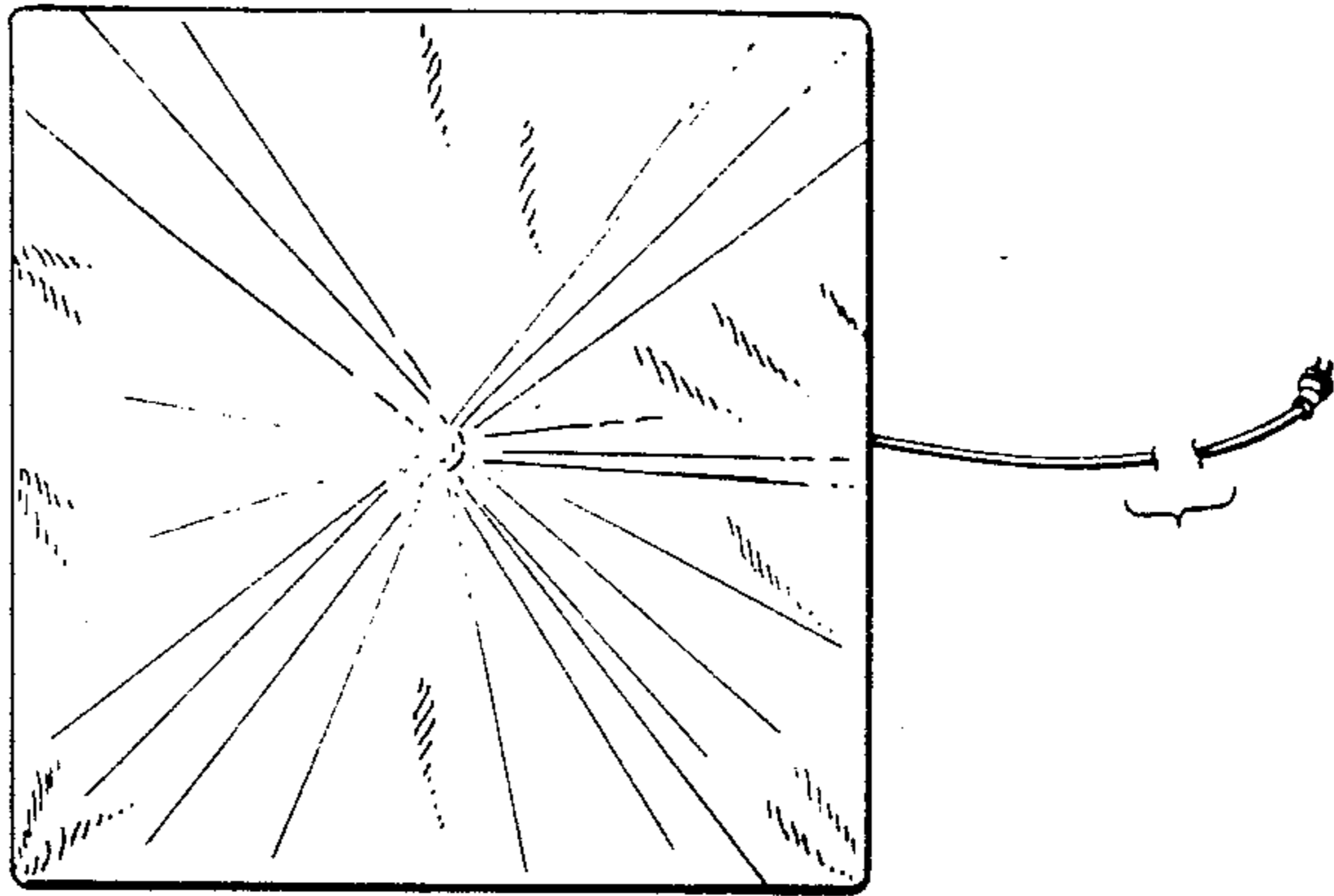
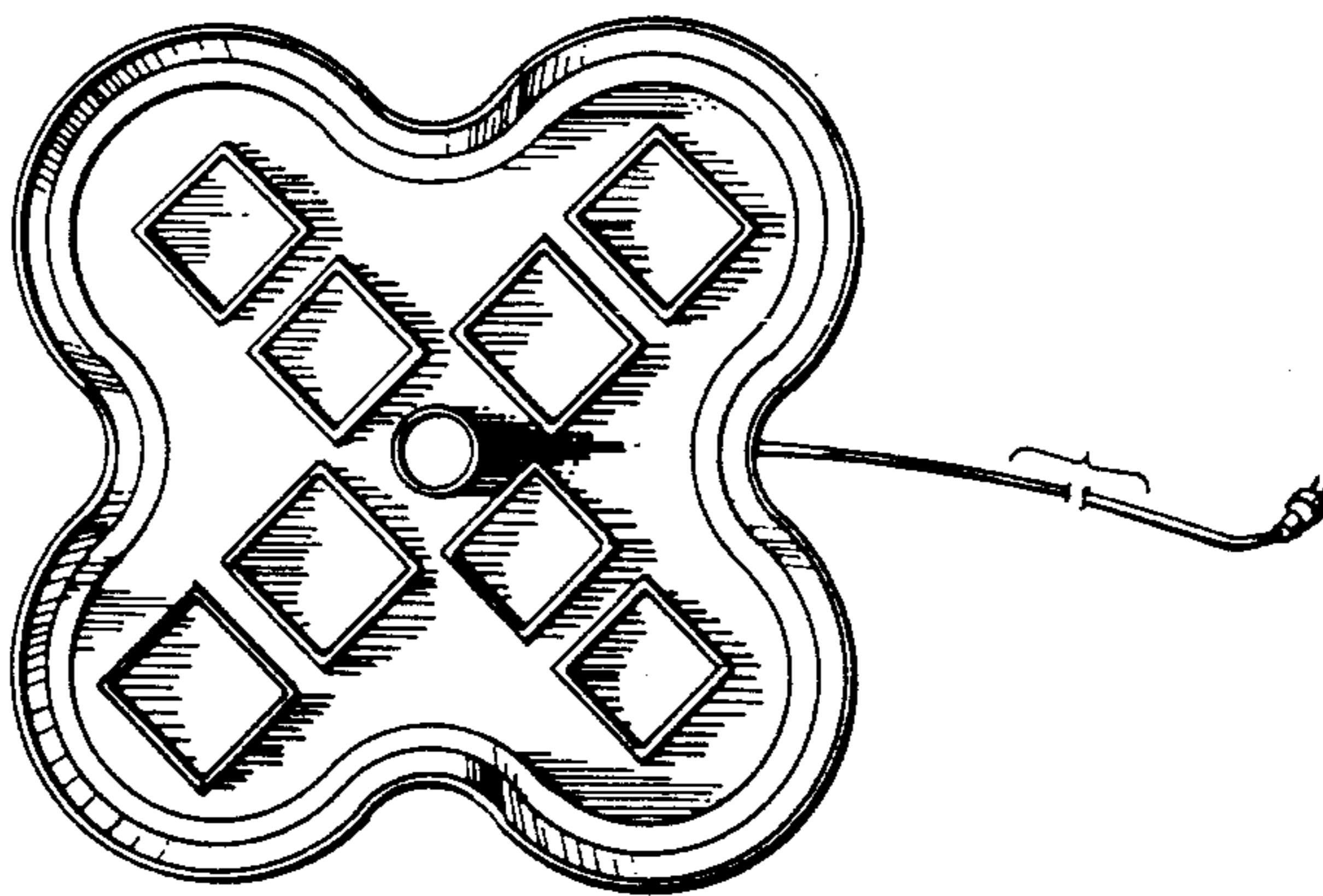


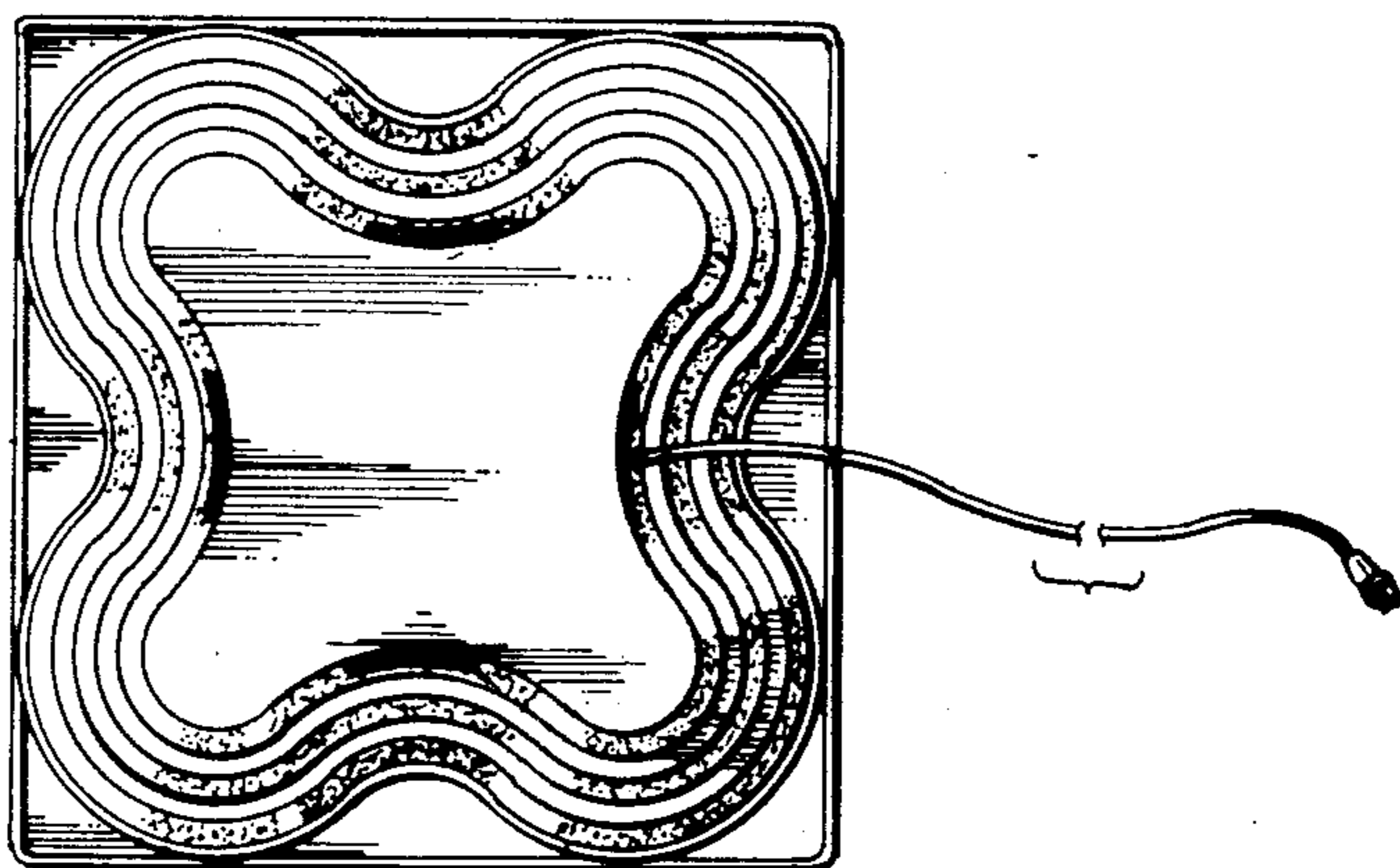
FIG. 3



**FIG. 4**



**FIG. 5**



**FIG. 6**