

[54] **TOOTHBRUSH ASSEMBLY**

[75] Inventor: **Ronald Herzfeld**, Germering, Fed. Rep. of Germany  
[73] Assignee: **Thorwarth & Grebe OHG**, Fed. Rep. of Germany  
[\*\*] Term: **14 Years**  
[21] Appl. No.: **629,872**  
[22] Filed: **Jul. 11, 1984**

[30] **Foreign Application Priority Data**

Mar. 17, 1984 [DE] Fed. Rep. of Germany ..... 13843  
Apr. 24, 1984 [DE] Fed. Rep. of Germany ..... 14003  
[52] U.S. Cl. .... **D4/101; D4/104; D4/199; D24/15**  
[58] Field of Search ..... D24/15; D4/101, 100, D4/102, 104-115, 199; 15/167 R, 22 R, 176; 128/62 A, 65, 66

[56]

**References Cited**

**U.S. PATENT DOCUMENTS**

D. 222,862 1/1972 Cook ..... D24/15  
D. 266,117 9/1982 Oberheim ..... D24/15 X  
3,608,548 9/1971 Lewis ..... 128/66  
4,141,352 2/1979 Ebner et al. .... 128/62 A

**FOREIGN PATENT DOCUMENTS**

564776 2/1958 Belgium ..... 15/22 R  
2653494 6/1977 Fed. Rep. of Germany ... 128/62 A

*Primary Examiner*—Catherine E. Kemper  
*Attorney, Agent, or Firm*—Griffin, Branigan & Butler

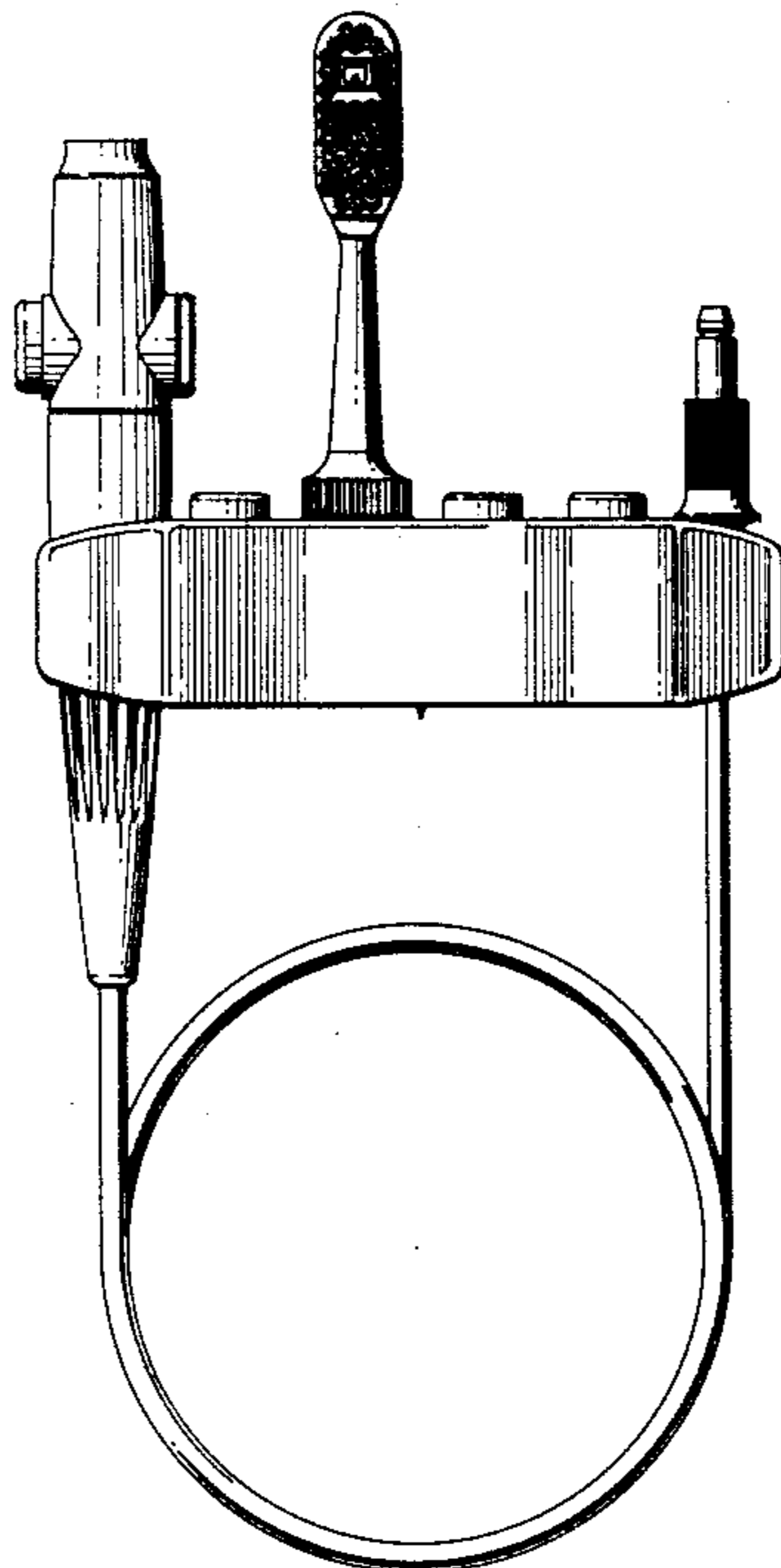
[57]

**CLAIM**

The ornamental design for a toothbrush assembly, as shown.

**DESCRIPTION**

FIG. 1 is a front elevational view of a toothbrush assembly showing my new design;  
FIG. 2 is a rear elevational view thereof;  
FIG. 3 is a left end view thereof;  
FIG. 4 is a right end view thereof;  
FIG. 5 is a plan view thereof;  
FIG. 6 is a bottom view thereof FIG. 1; and  
FIG. 7 is a perspective view thereof.



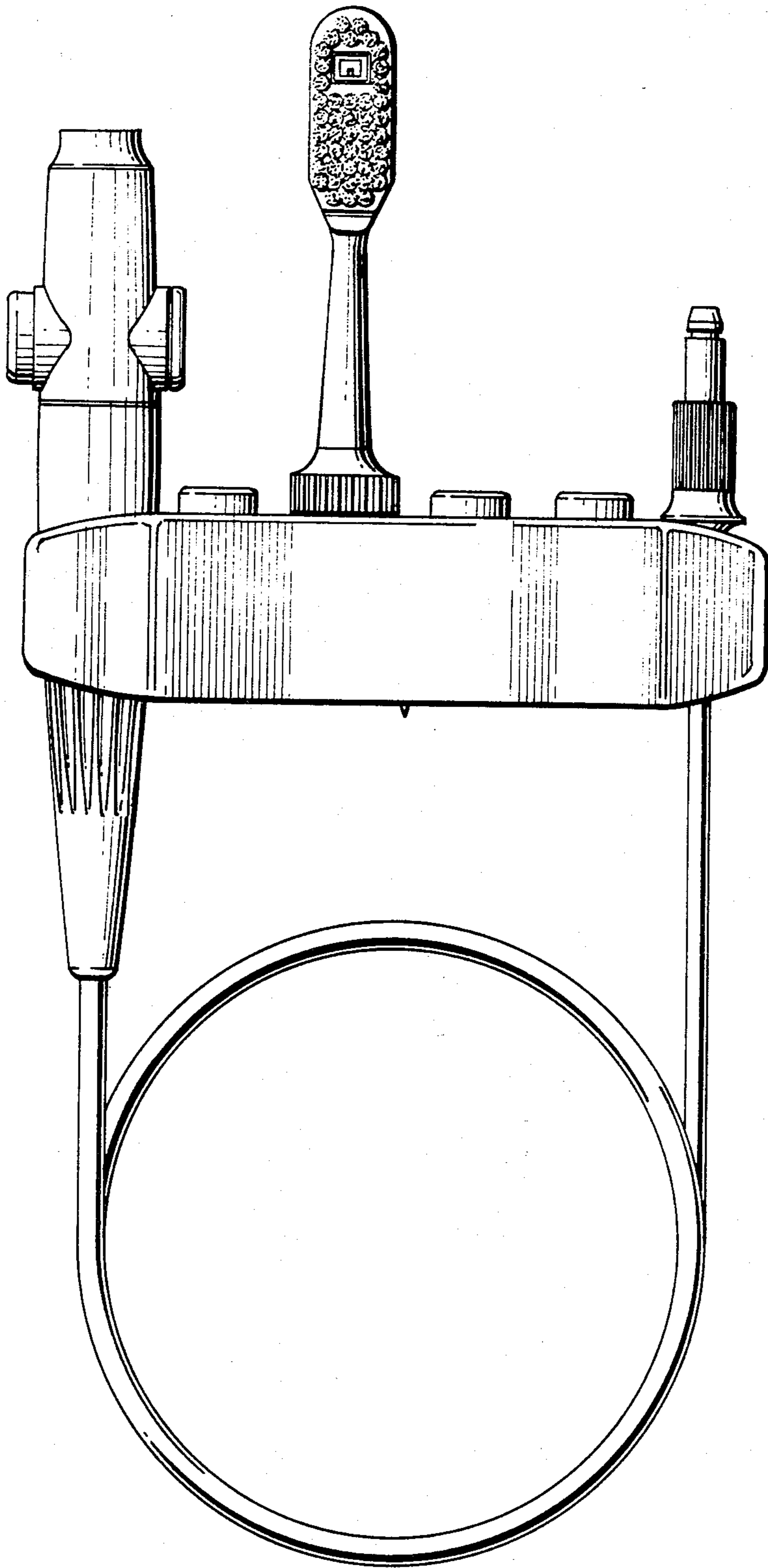


FIG. 1

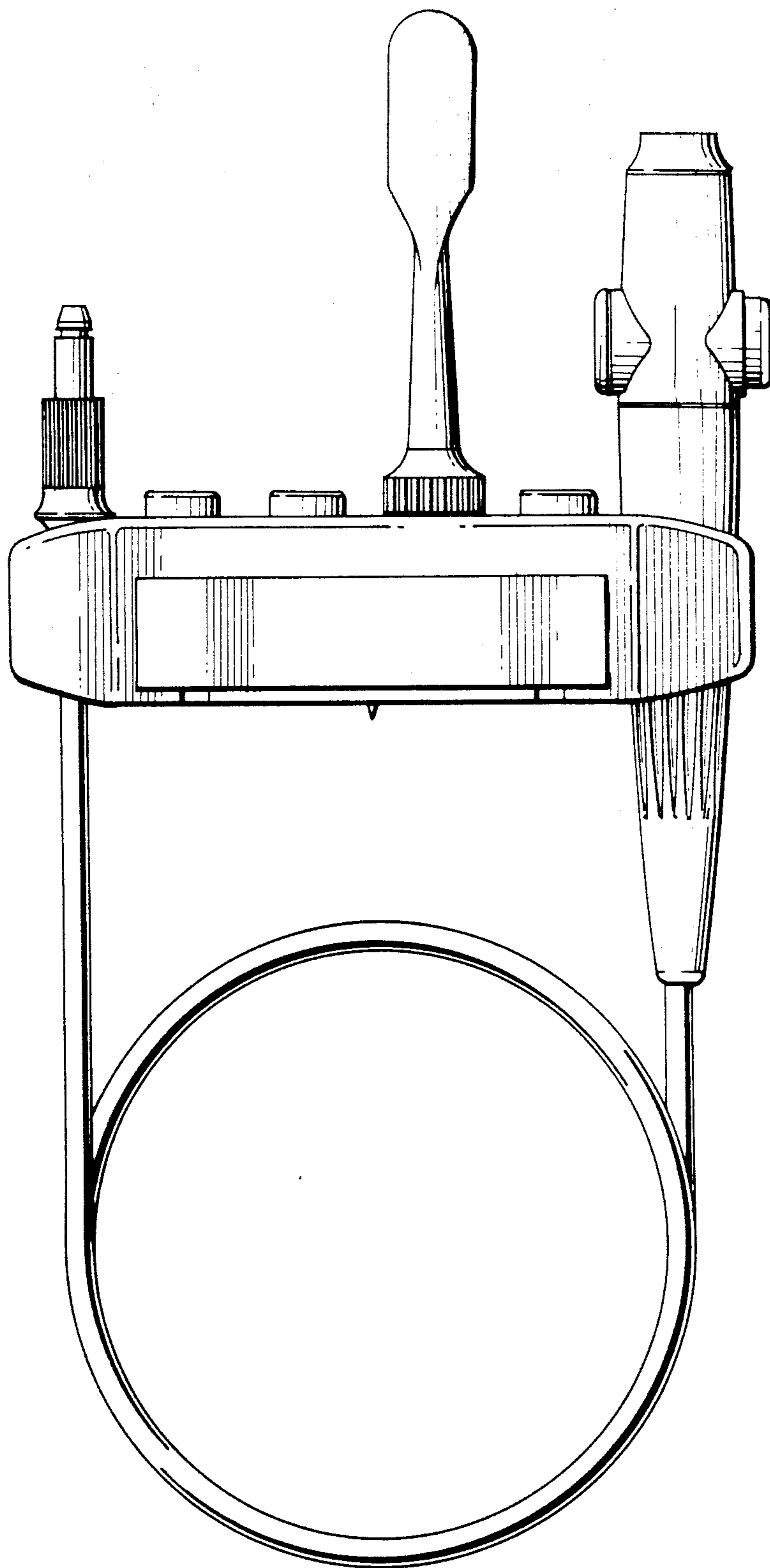
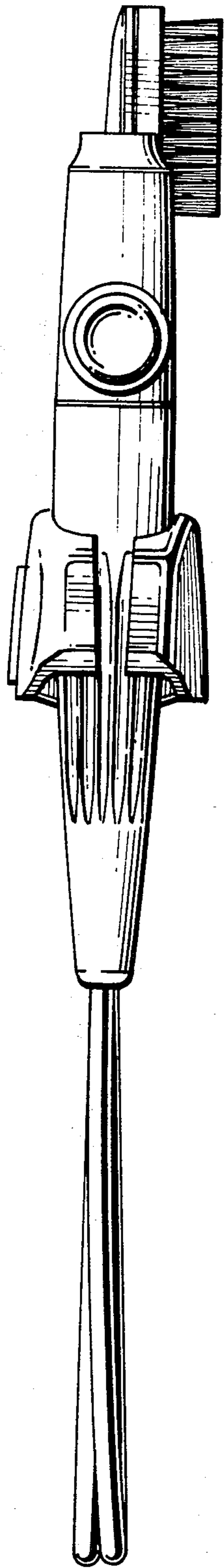
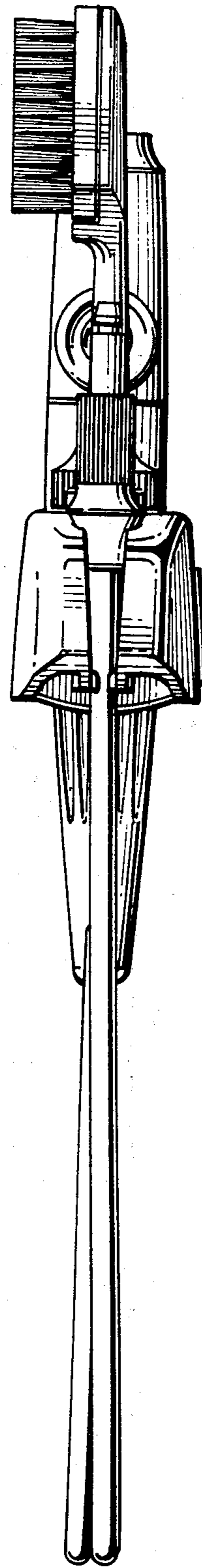


FIG. 2



**FIG. 3**



**FIG. 4**

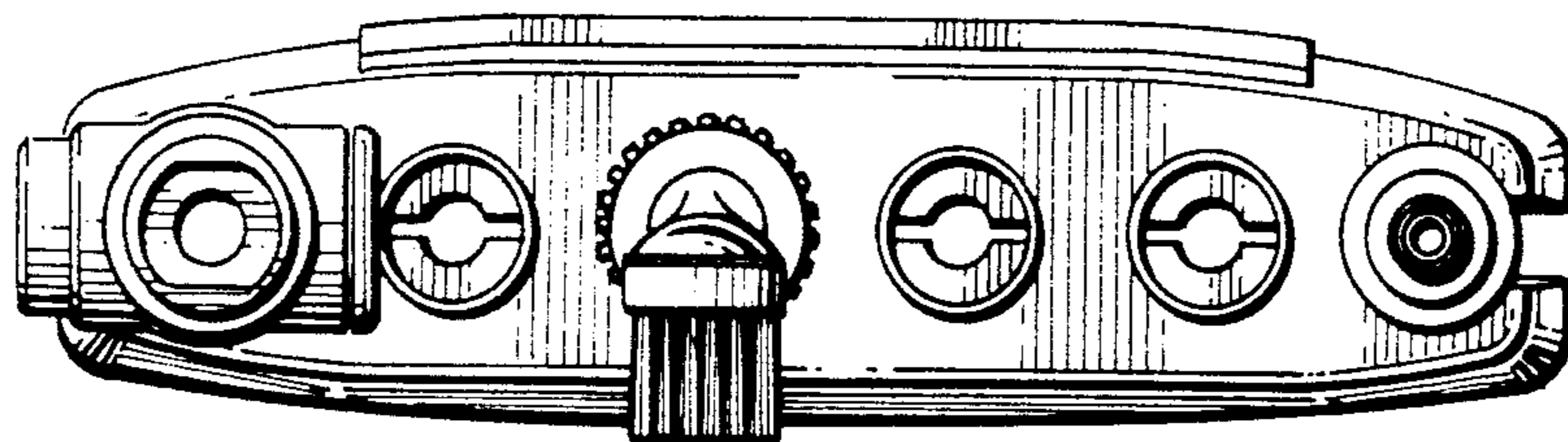


FIG. 5

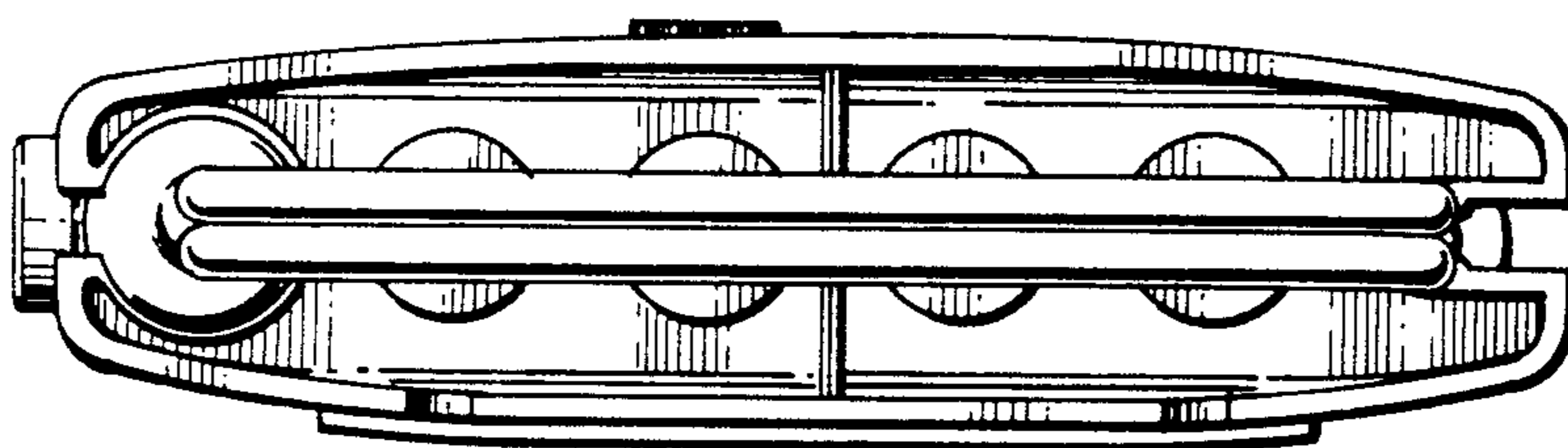


FIG. 6

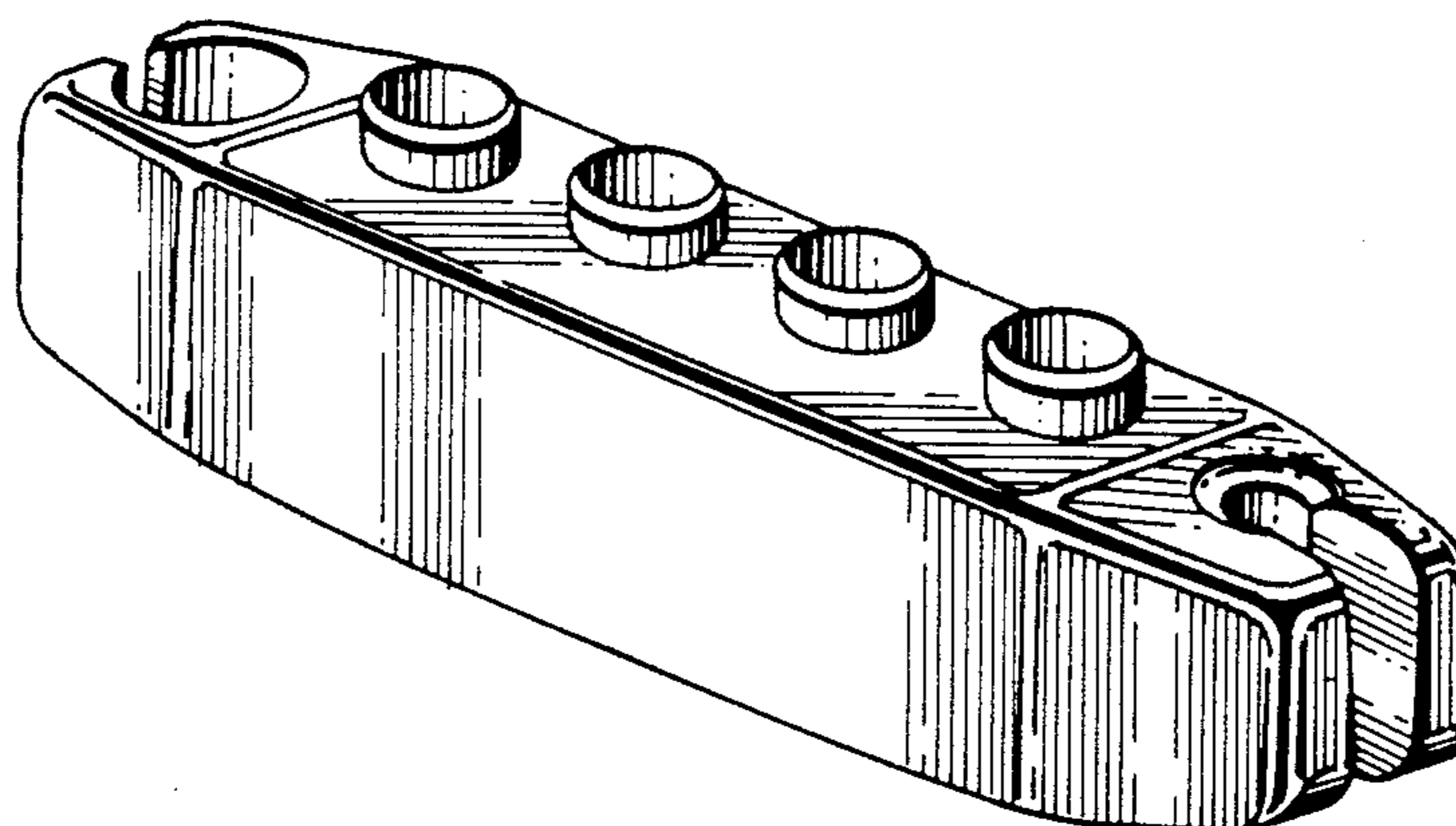


FIG. 7