

[54] **BLOOD INFUSION BOX**  
[76] **Inventor: Gordon M. Greenblatt, 5533 N. 3rd St., Phoenix, Ariz. 85012**  
[\*\*] **Term: 14 Years**  
[21] **Appl. No.: 531,046**  
[22] **Filed: Sep. 12, 1983**  
[52] **U.S. Cl. .... D24/21**  
[58] **Field of Search .... D24/51, 52, 53, 59, D24/99, 21; 251/4, 7, 10; 417/474; 128/DIG. 1, 13, 16, 214, DIG. 12; D24/21; 604/141, 6**

4,430,078 2/1984 Sprague ..... 604/141  
4,453,932 6/1984 Pastrone ..... 128/DIG. 12  
4,507,116 3/1985 Leibinson ..... 128/DIG. 12

*Primary Examiner*—Wallace R. Burke  
*Assistant Examiner*—Brian N. Vinson  
*Attorney, Agent, or Firm*—Cahill, Sutton & Thomas

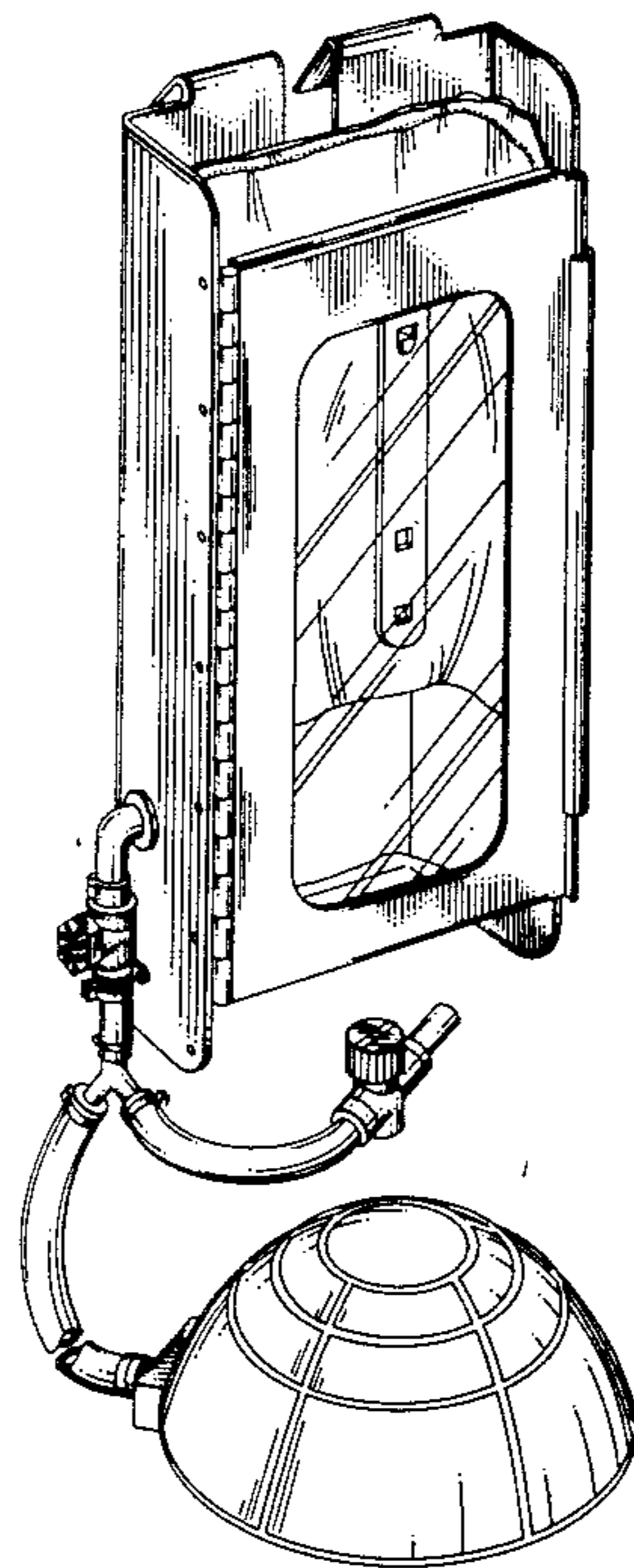
[57] **CLAIM**

The ornamental design for a blood infusion box, as shown and described.

**DESCRIPTION**

FIG. 1 is a left front perspective view of a blood infusion box showing my new design;  
FIG. 2 is a rear elevation view thereof;  
FIG. 3 is a bottom view thereof;  
FIG. 4 is a top view thereof;  
FIG. 5 is a left elevational view thereof; and  
FIG. 6 is a right elevational view thereof.  
The hose is broken away in the drawing views to indicate indeterminate length.

[56] **References Cited**  
**U.S. PATENT DOCUMENTS**  
D. 235,378 6/1975 Mason ..... D24/21  
3,425,415 2/1969 Gordon et al. .... 417/474  
3,731,679 5/1973 Wilhelmson et al. .... 417/411  
4,006,743 2/1977 Kowarski ..... 128/DIG. 1  
4,239,464 12/1980 Hein ..... 251/7  
4,416,595 11/1983 Cromie ..... 128/DIG. 12



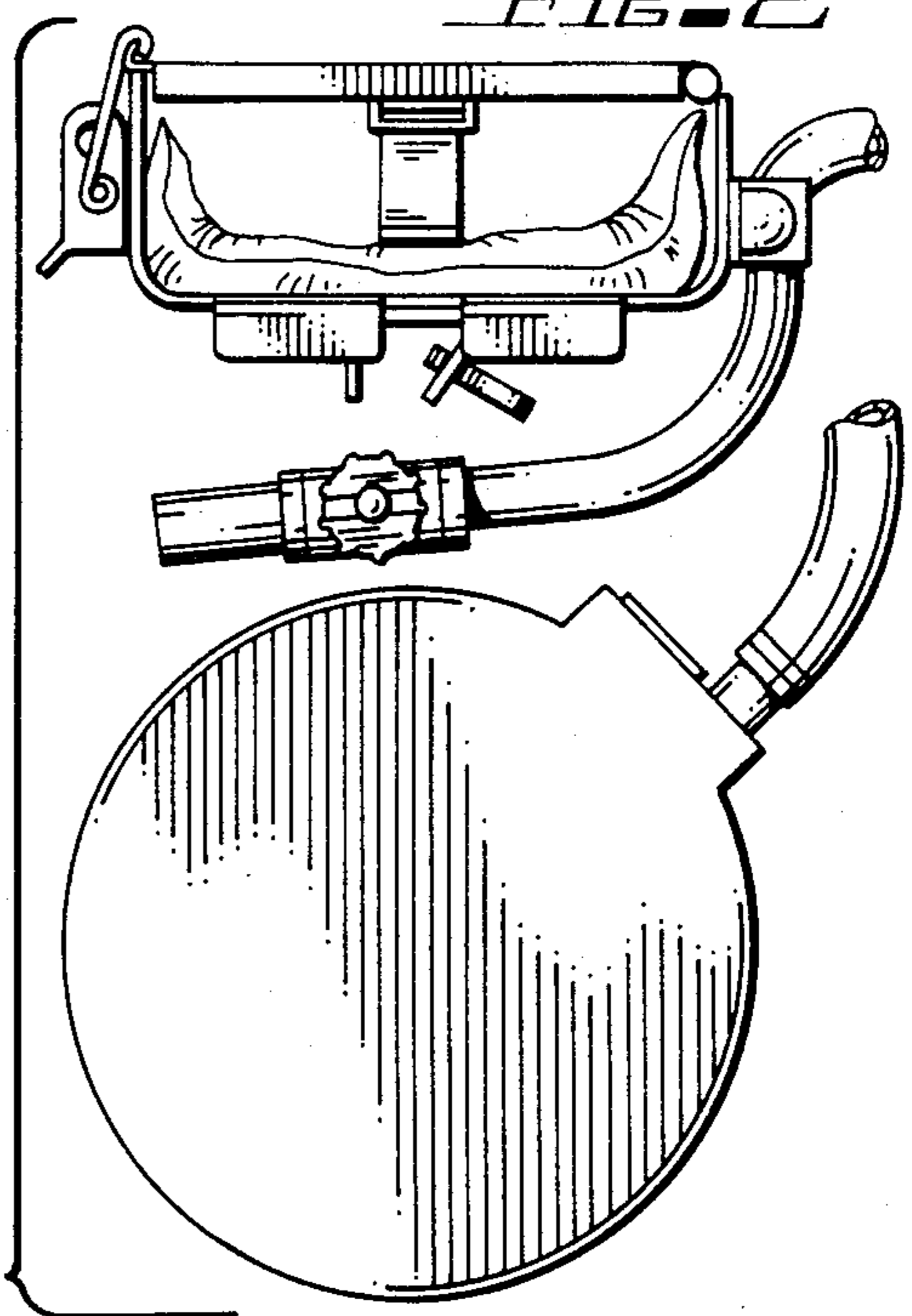
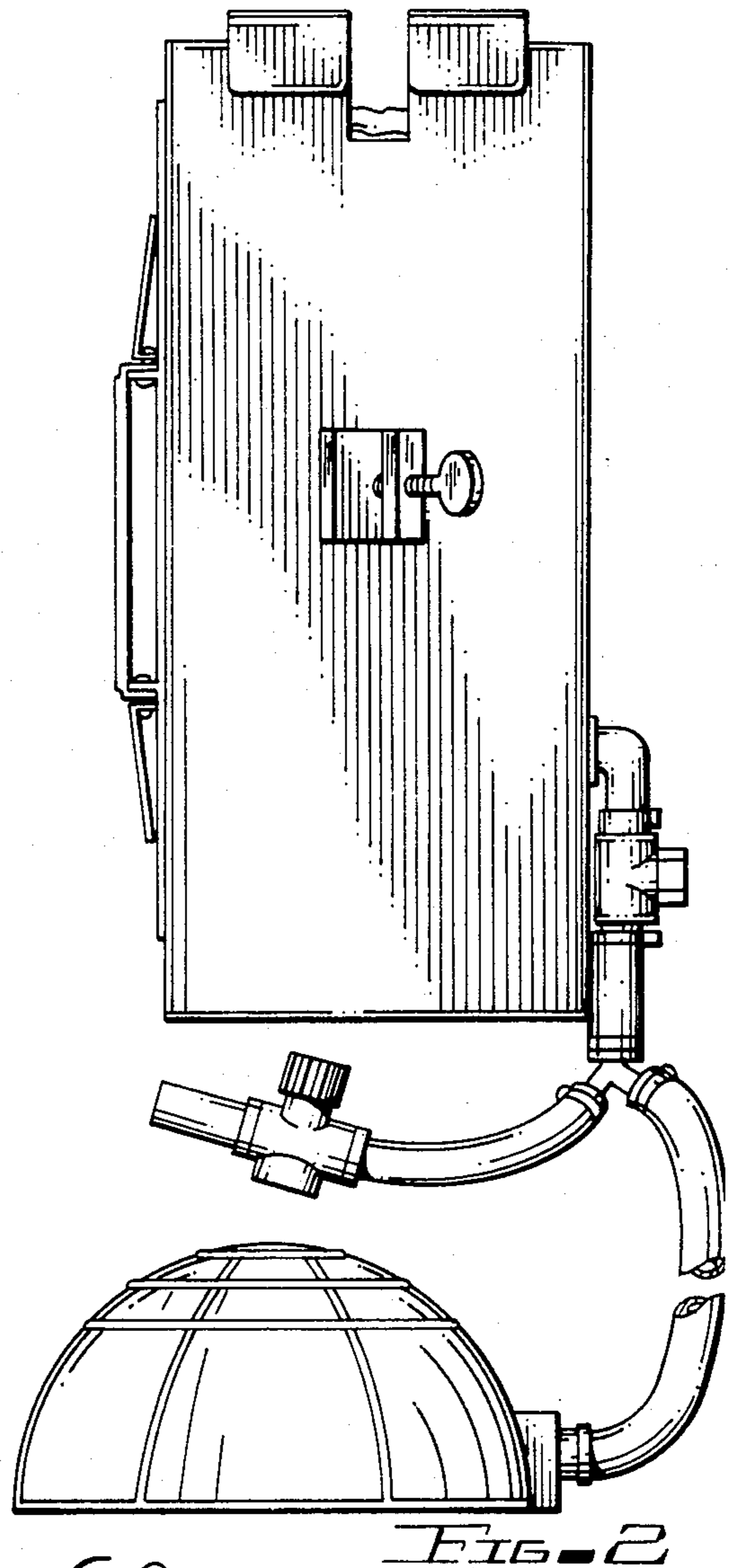
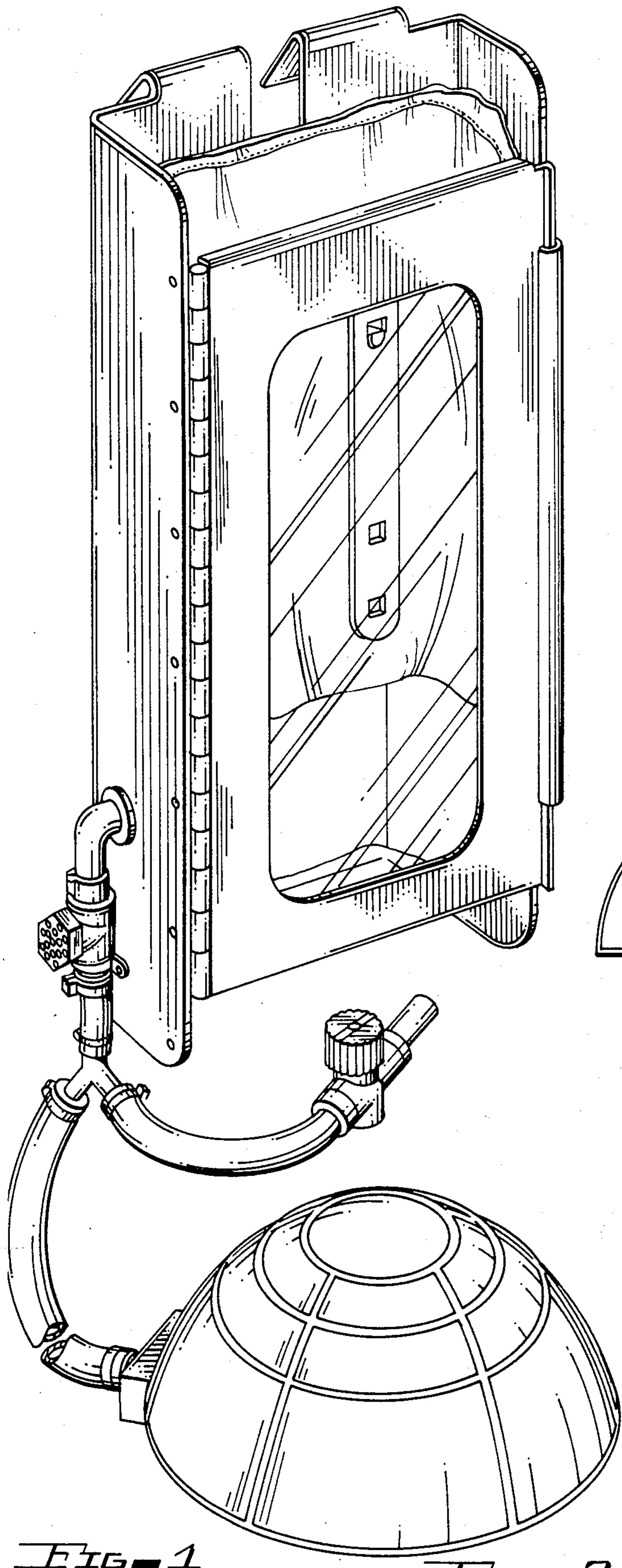


FIG. 1

FIG. 3

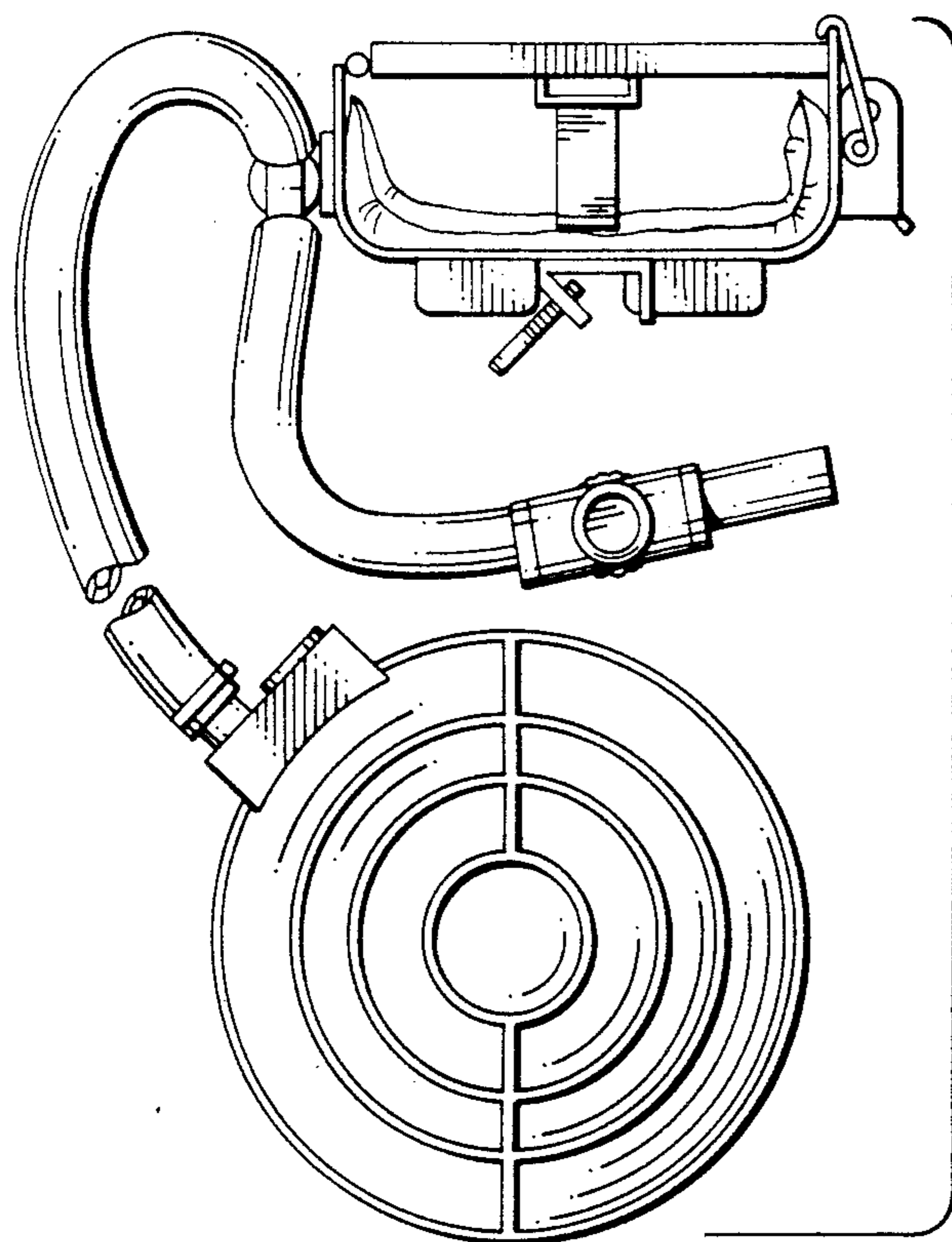


FIG. 4

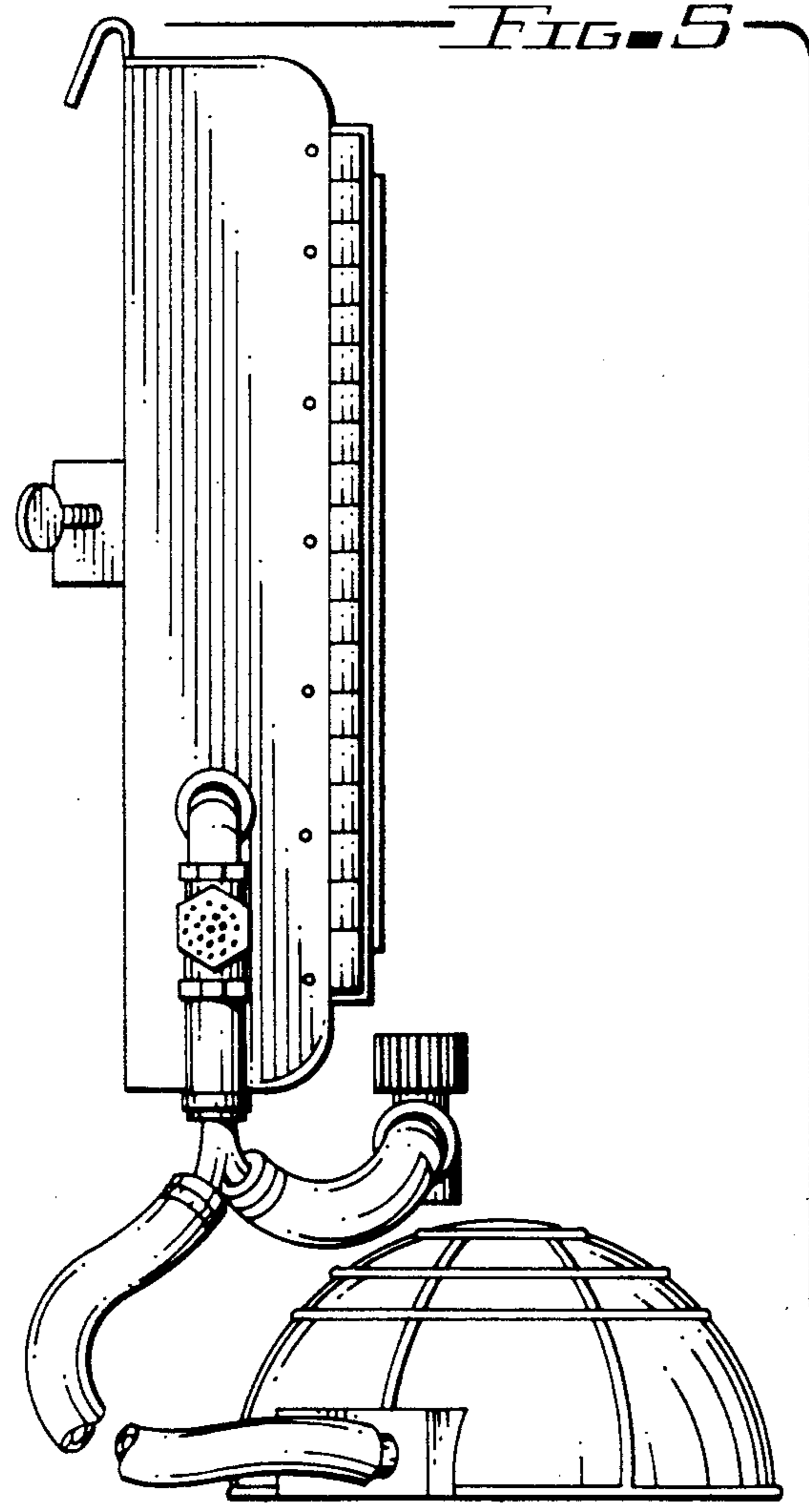


FIG. 5

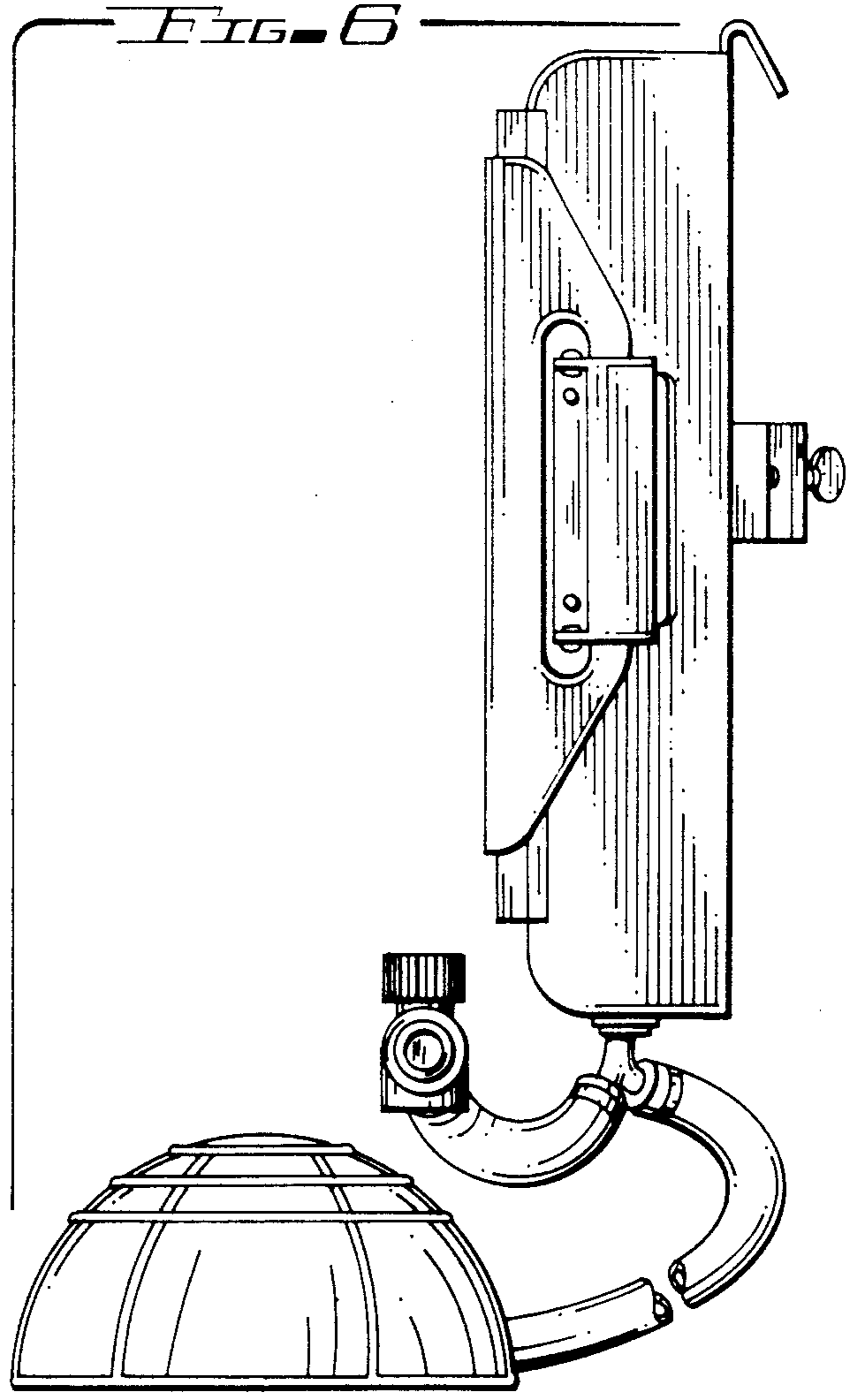


FIG. 6