

[54] **COMBINED ESCUTCHEON AND MIXING VALVE FOR SHOWERS OR THE LIKE**

[75] Inventor: **Kenneth A. Ogilvie**, Naunton, England

[73] Assignee: **Walker Crowweller & Company Limited**, England

[\*\*] Term: **14 Years**

[21] Appl. No.: **542,542**

[22] Filed: **Oct. 17, 1983**

[30] **Foreign Application Priority Data**

Jul. 2, 1983 [GB] United Kingdom ..... 1 013 895

[52] U.S. Cl. .... **D23/19; D23/31**

[58] Field of Search ..... D23/19-32, D23/38, 39; 16/110, 121

[56] **References Cited**

**U.S. PATENT DOCUMENTS**

- D. 50,631 4/1917 Reid, Jr. .... D23/39
- D. 86,452 3/1932 Grandahl ..... D23/39
- D. 152,809 2/1949 MacCauley ..... D23/21
- D. 180,254 5/1957 Tiller ..... D23/38
- D. 193,756 10/1962 Parker ..... D23/31

- D. 194,229 12/1962 Landell et al. .... D23/31
- D. 203,795 2/1966 Harvey et al. .... D23/31
- D. 209,805 1/1968 Barker ..... D23/38
- D. 213,779 4/1969 DuBois ..... D23/31
- D. 241,440 9/1976 Doman ..... D23/31
- D. 263,989 4/1982 Fleischmann et al. .... D23/31

**OTHER PUBLICATIONS**

- Domestic Engineering, Feb. 1961, p. 31.
- Domestic Engineering, Jan. 1964, p. 119, top left item.
- Domestic Engineering, Dec. 1964, p. 89, top left item.
- Domestic Engineering, Nov. 1967, p. 29, top left item.

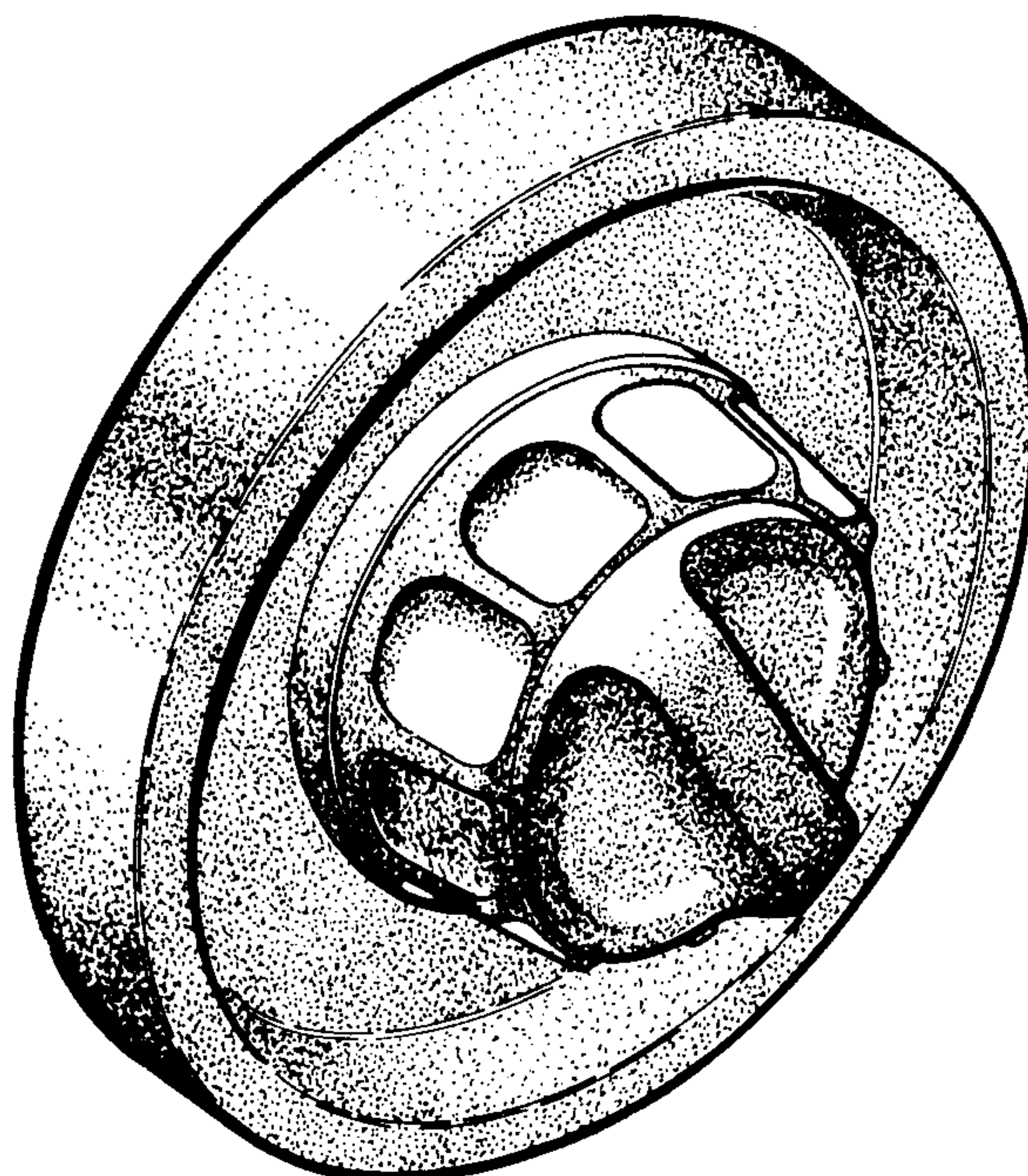
*Primary Examiner*—James R. Largen  
*Attorney, Agent, or Firm*—Larson and Taylor

[57] **CLAIM**

The ornamental design for a combined escutcheon and mixing valve for showers or the like, as shown.

**DESCRIPTION**

FIG. 1 is a perspective view taken from the top, front and left side of a combined escutcheon and mixing valve for showers or the like showing my new design; FIG. 2 is a top plan view thereof; FIG. 3 is a perspective view taken from the bottom, rear and right side thereof; and FIG. 4 is a bottom plan view thereof.



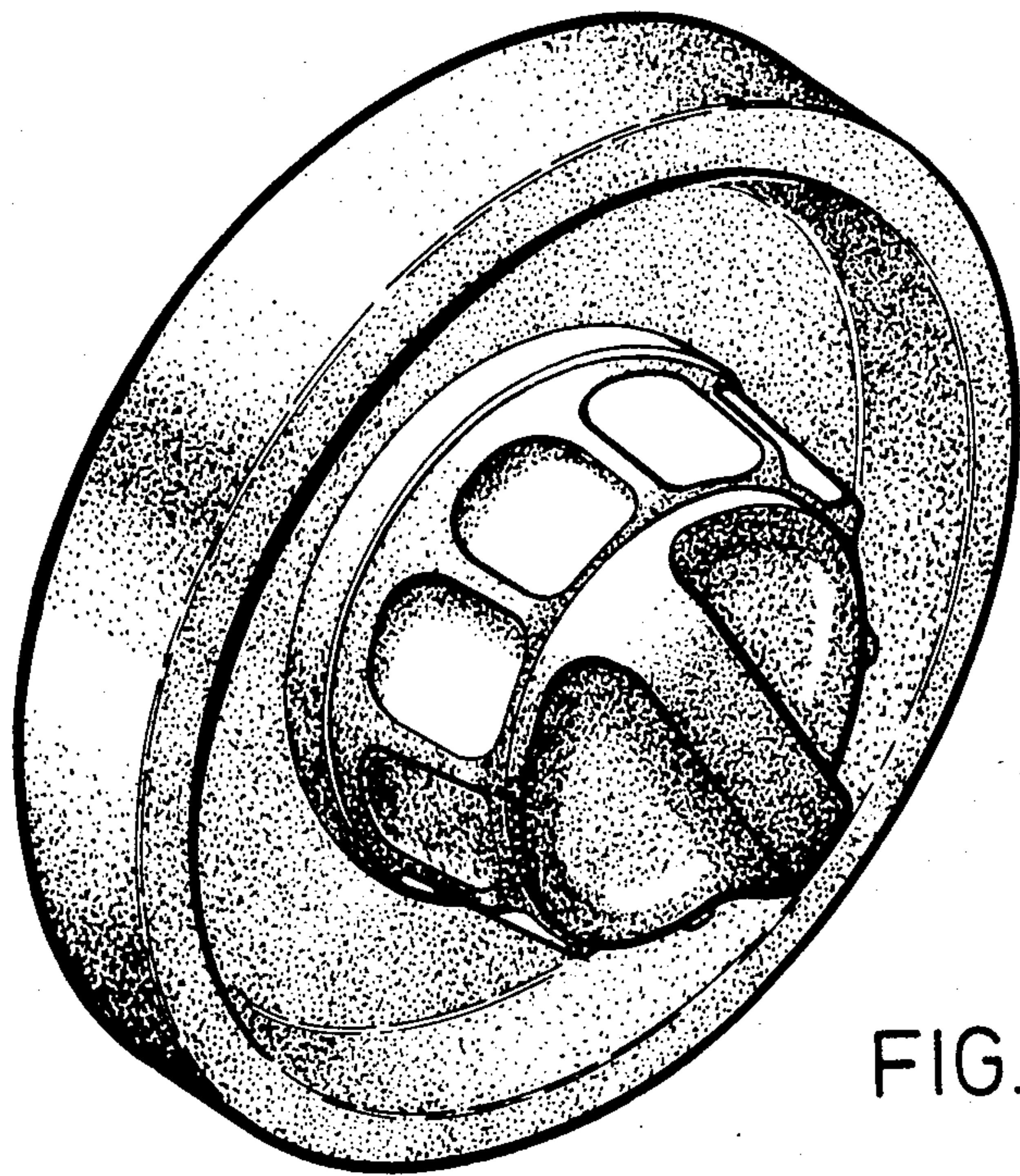


FIG. 1

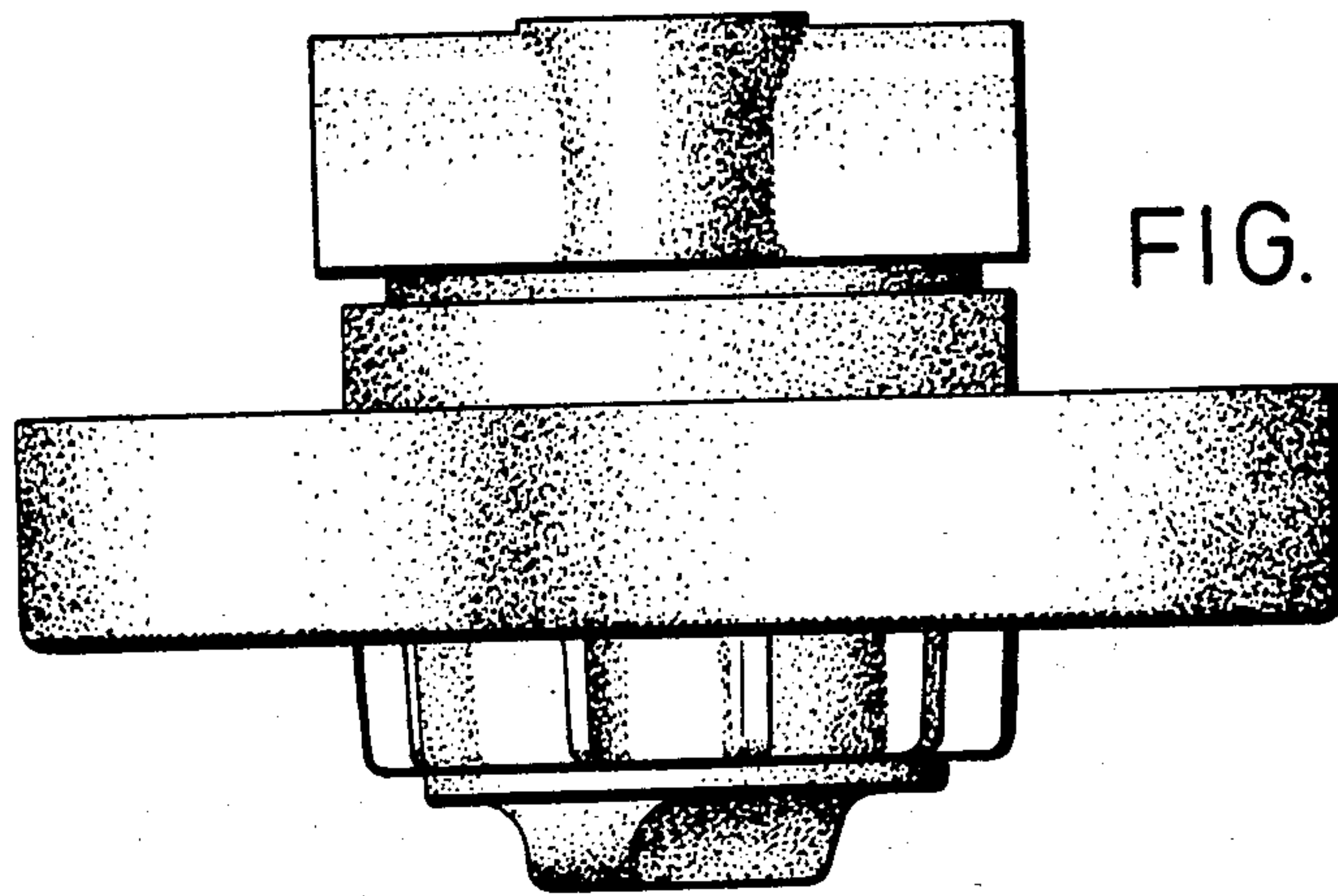


FIG. 2



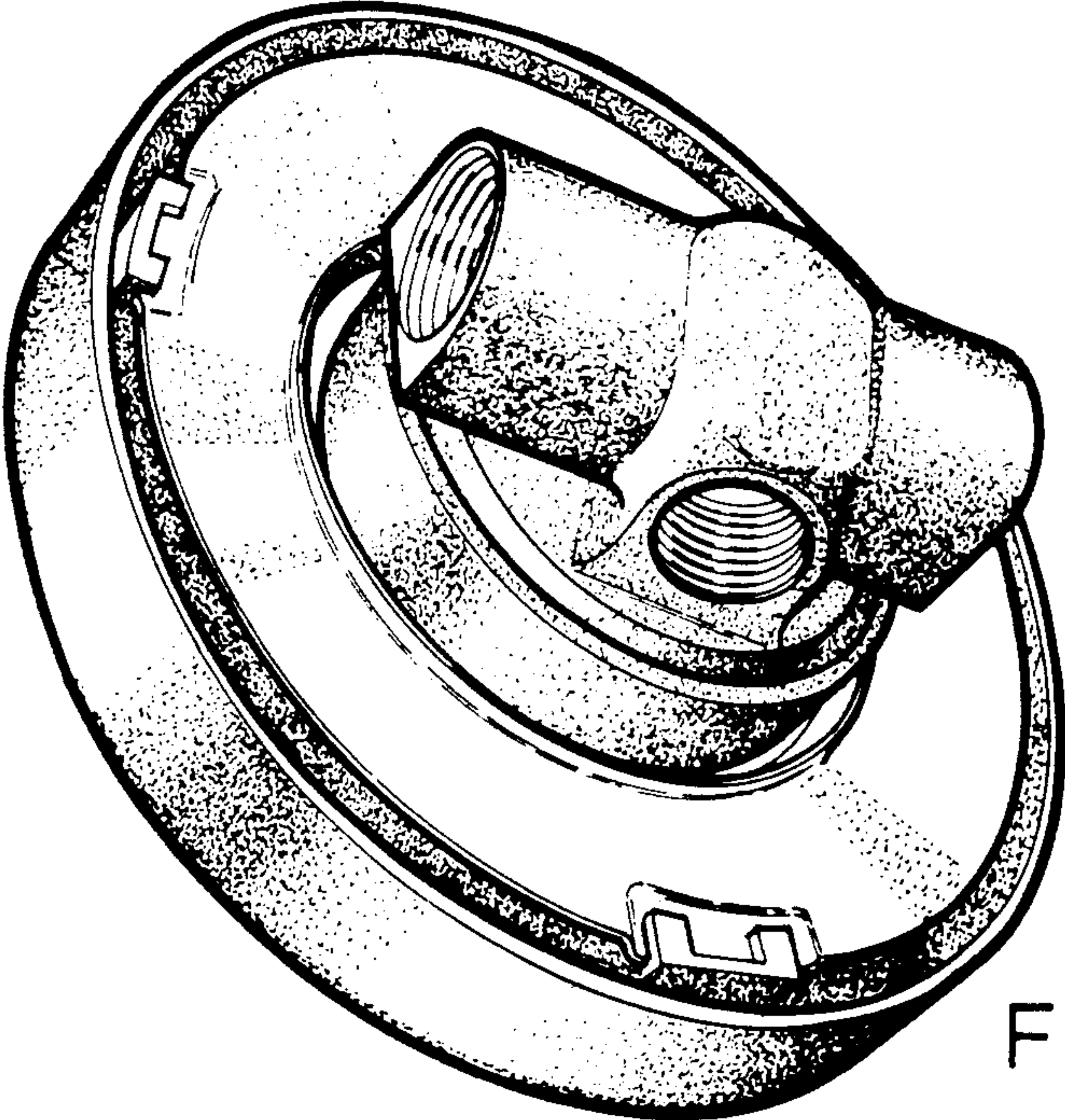


FIG. 3

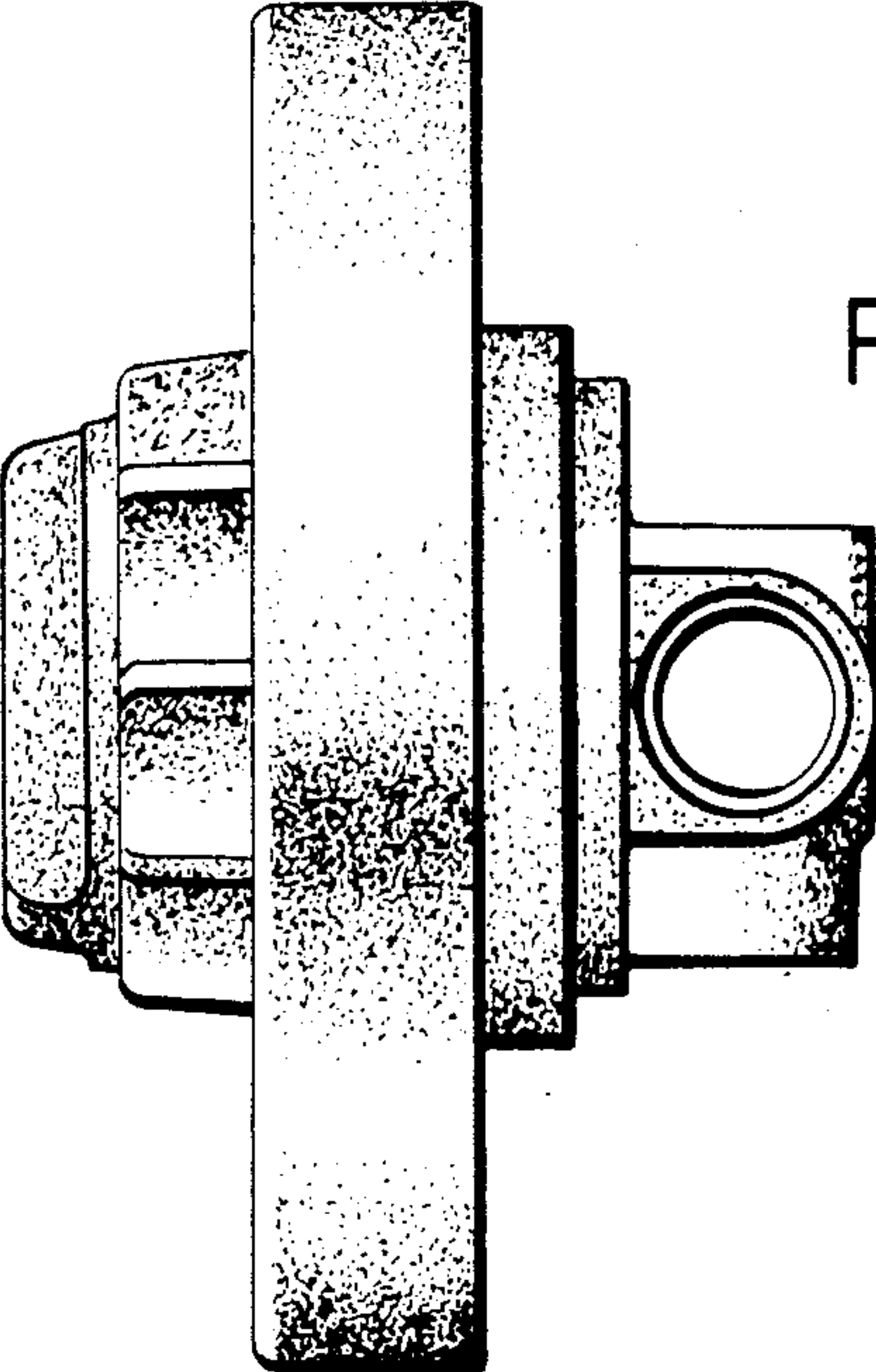


FIG. 4