

[54] COMBINED SPRAYER ROD AND DUAL ADMIXING APPARATUS FOR FERTILIZER

[75] Inventors: Franco Clivio, Zurich, Switzerland; Dieter Raffler, Neu-Ulm, Fed. Rep. of Germany

[73] Assignee: Gardena Kress & Kastner GmbH, Fed. Rep. of Germany

[**] Term: 14 Years

[21] Appl. No.: 570,594

[22] Filed: Jan. 13, 1984

[30] Foreign Application Priority Data

Jul. 18, 1983 [DE] Fed. Rep. of Germany 111 1207

[52] U.S. Cl. D23/18

[58] Field of Search D23/17-18, D23/38-40, 35-37, 43; D8/2, 14.1; 239/71, 154, 289-290, 318, 332, 337, 414, 428.5, 436, 525-528, 532, 569, 519, 588, 530

[56] References Cited

U.S. PATENT DOCUMENTS

- Re. 29,405 9/1977 Gunzel, Jr. et al. 239/436
D. 141,623 6/1945 Thompson D23/35
D. 145,085 6/1946 Isenberg D23/35
D. 145,538 9/1946 Richards D23/35
D. 177,354 4/1956 Wagler D23/35
D. 191,425 9/1961 Popp D23/38
D. 234,845 4/1975 Davis D23/17
D. 238,340 1/1976 Parker D23/17

- D. 251,679 4/1979 Kwan D23/35
D. 263,069 2/1982 Chow et al. D23/38
D. 270,559 9/1983 Clivio et al. D23/35
D. 270,560 9/1983 Clivio et al. D23/35
D. 270,657 9/1983 Clivio et al. D23/17
D. 281,098 10/1985 Jennings D23/35
2,981,484 4/1961 Hirsch 239/525 X
2,989,244 6/1961 Matthewson 239/525 X
3,361,300 1/1968 Kaplan 239/526 X

FOREIGN PATENT DOCUMENTS

1239618 7/1960 France 239/526

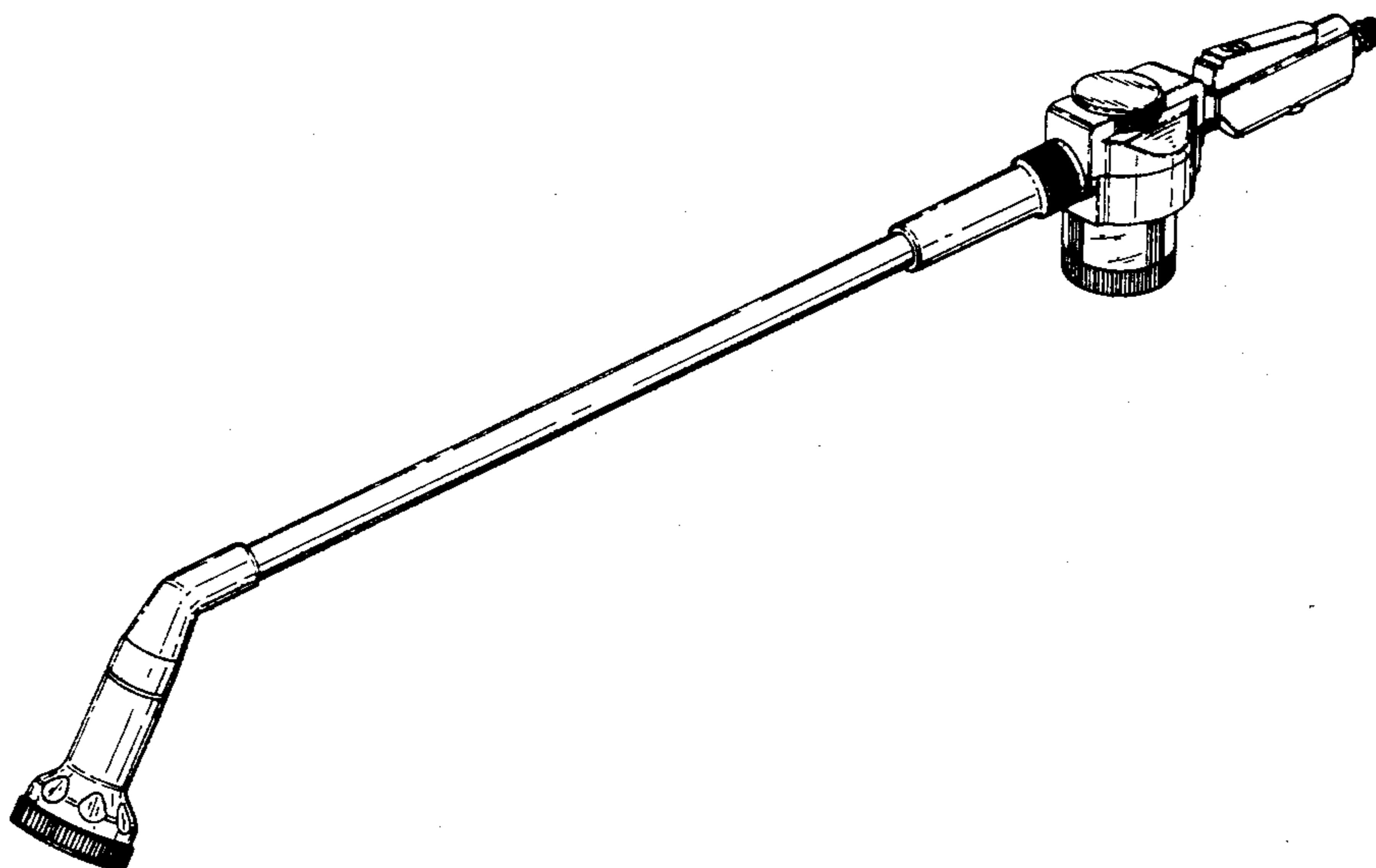
Primary Examiner—James R. Largen
Assistant Examiner—Brian N. Vinson
Attorney, Agent, or Firm—Steele, Gould & Fried

[57] CLAIM

The ornamental design for combined sprayer rod and dual admixing apparatus for fertilizer, as shown or described.

DESCRIPTION

FIG. 1 is a perspective view of a combined sprayer rod dual admixing apparatus for fertilizer showing my new design;
FIG. 2 is a top plan view thereof;
FIG. 3 is a side elevation thereof, the opposite side being identical in appearance;
FIG. 4 is a bottom plan view thereof;
FIG. 5 is a front elevation thereof; and
FIG. 6 is a rear elevation thereof.
The broken-away showing of the spray rod in FIGS. 2, 3 and 4 is for ease of illustration.



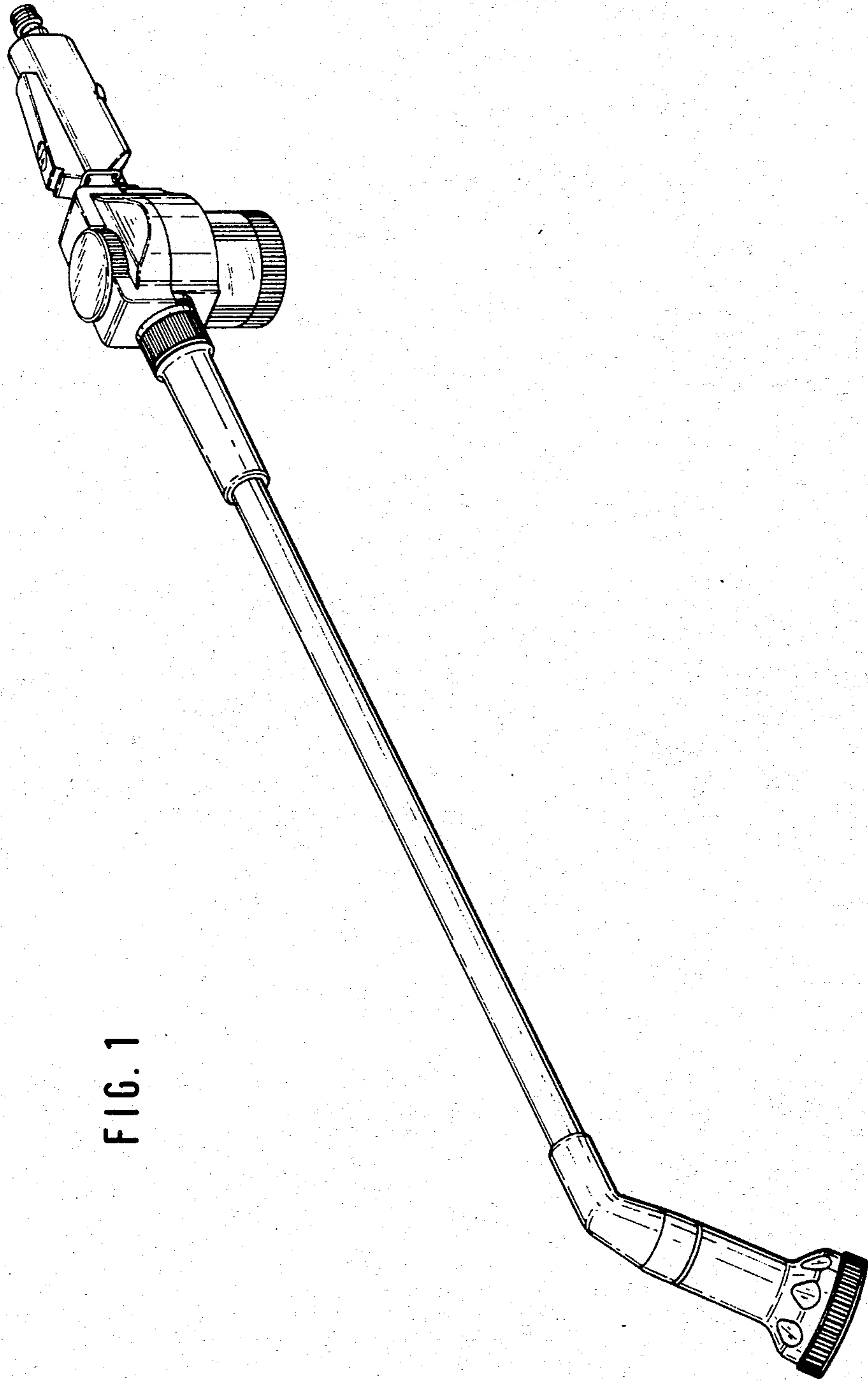


FIG. 1

FIG. 2

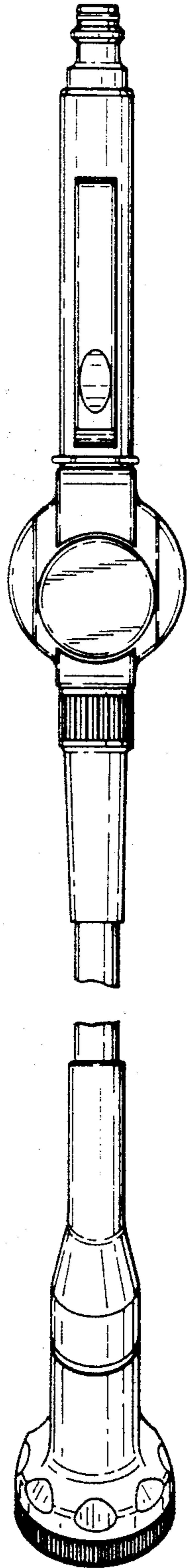
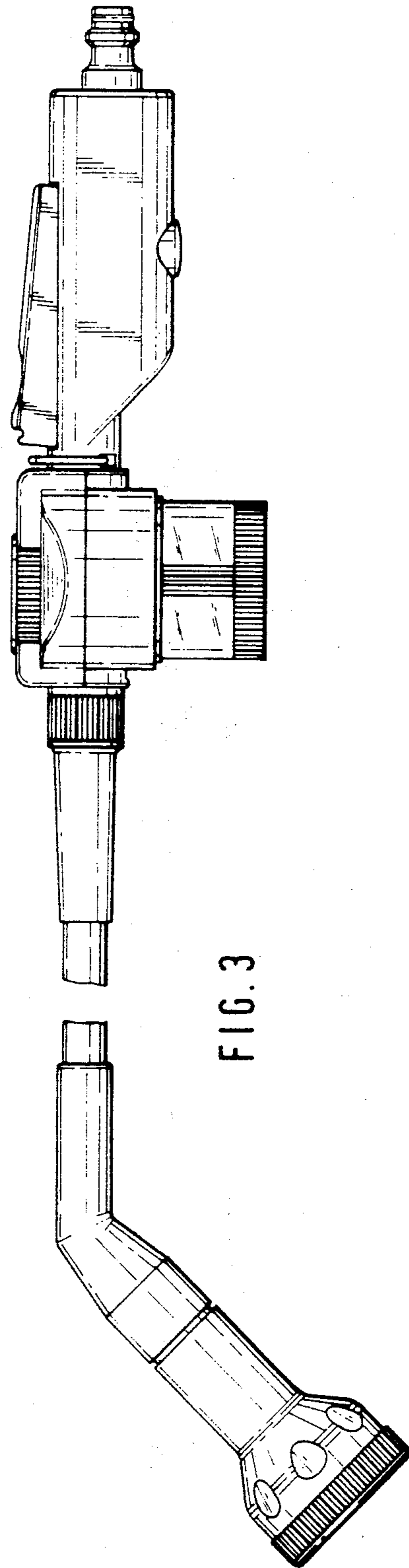


FIG. 3



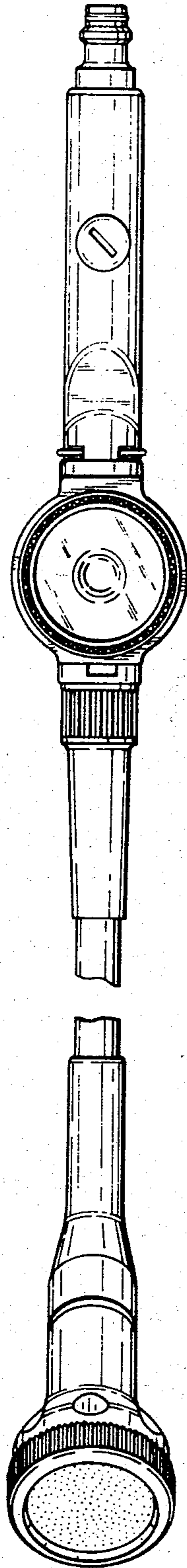


FIG. 4

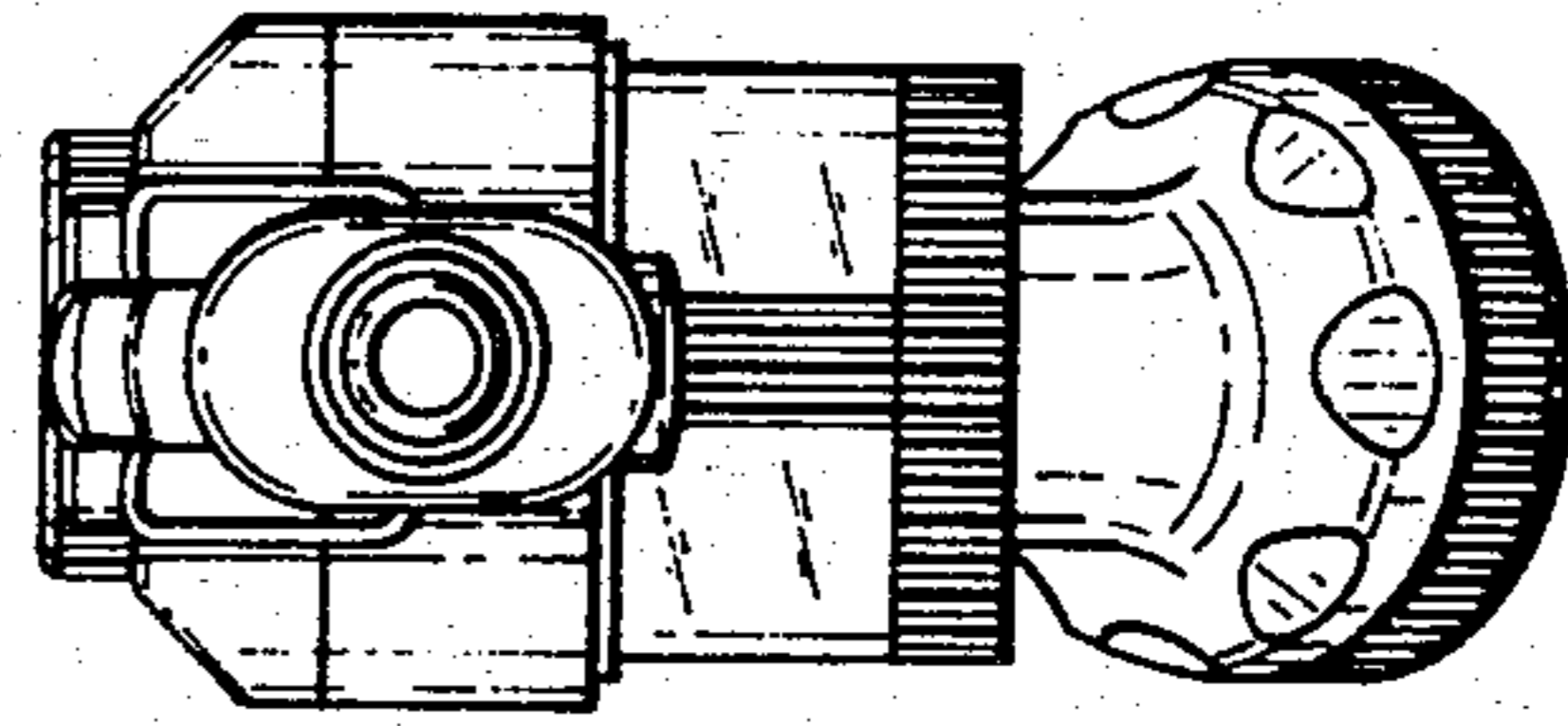


FIG. 6

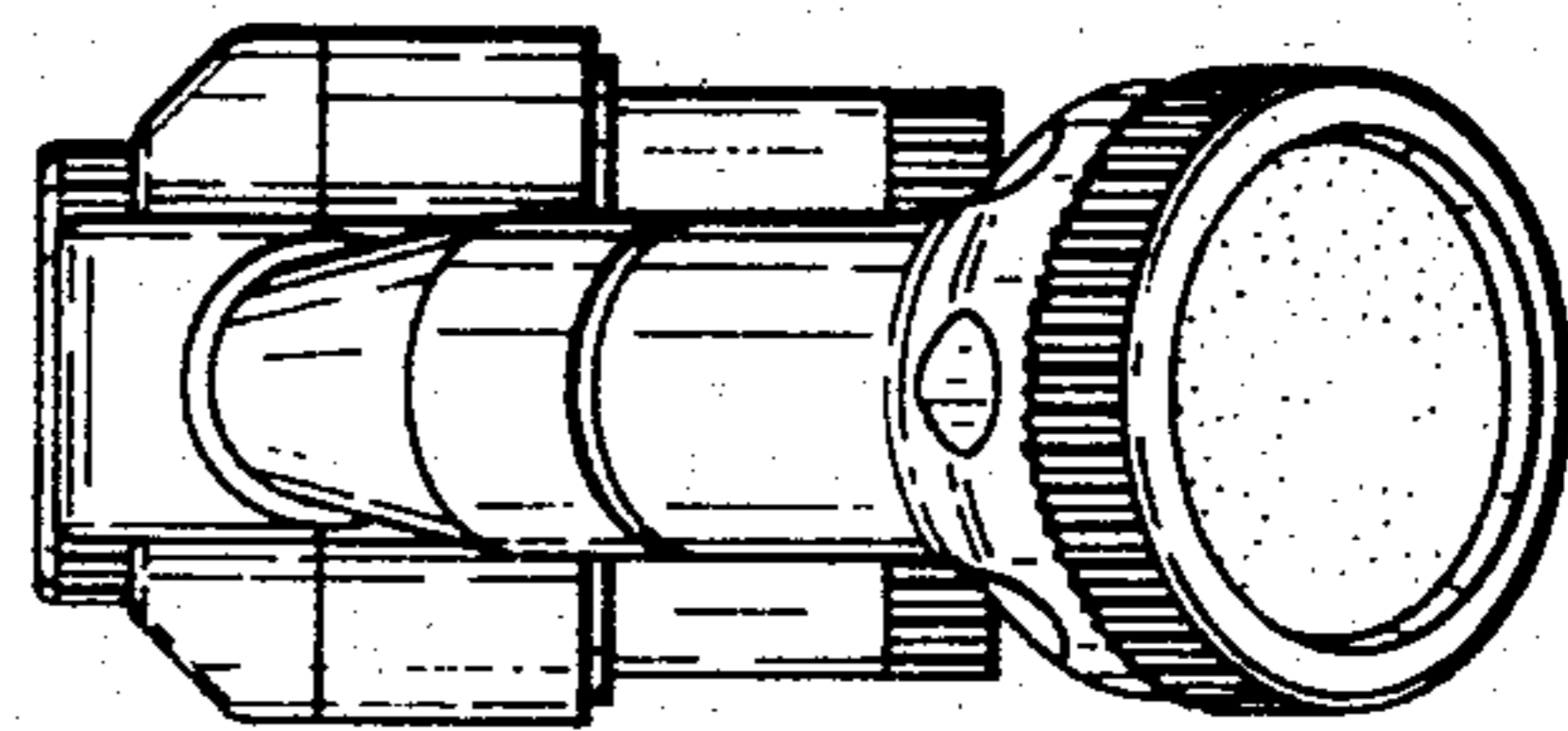


FIG. 5