

United States Patent [19]

Clivio et al.

[11] Patent Number: **Des. 285,243**

[45] Date of Patent: **** Aug. 19, 1986**

[54] **ADMIXING APPARATUS FOR FERTILIZER**

[75] Inventors: **Franco Clivio**, Zurich, Switzerland;
Dieter Raffler, Neu-Ulm, Fed. Rep. of Germany

[73] Assignee: **Gardena Kress & Kastner GmbH**,
Fed. Rep. of Germany

[**] Term: **14 Years**

[21] Appl. No.: **570,593**

[22] Filed: **Jan. 13, 1984**

[30] **Foreign Application Priority Data**

Jul. 18, 1983 [DE] Fed. Rep. of Germany 111 1207

[52] U.S. Cl. **D23/18**

[58] Field of Search D23/17-18,
D23/40, 38, 35; 239/71, 154, 289-290, 318, 332,
337, 414, 428.5, 436, 525-528, 532, 569, 519

[56] **References Cited**

U.S. PATENT DOCUMENTS

Re. 29,405 9/1977 Gunzel, Jr. et al. 239/436 X

D. 191,425 9/1961 Popp D23/38
D. 200,960 4/1965 Beinert D23/18
D. 238,340 1/1976 Parker D23/17
D. 263,069 2/1982 Chow et al. D23/38
2,540,663 2/1951 Garey 239/519
4,530,469 7/1985 Muck 239/569

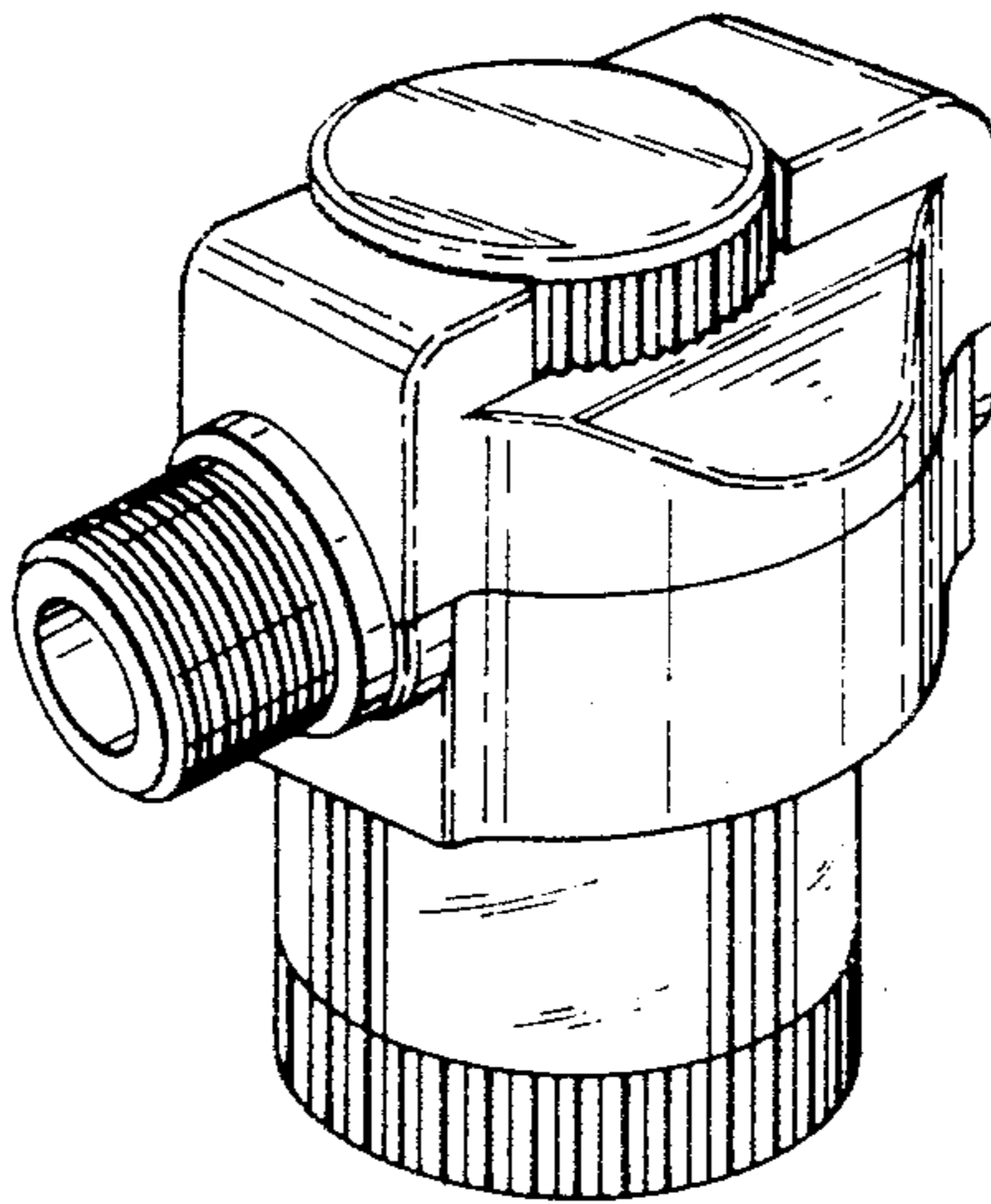
Primary Examiner—James R. Largen
Assistant Examiner—Brian N. Vinson
Attorney, Agent, or Firm—Steele, Gould & Fried

[57] **CLAIM**

The ornamental design for an admixing apparatus for fertilizer, as shown or described.

DESCRIPTION

FIG. 1 is a perspective view of an admixing apparatus for fertilizer showing our new design;
FIG. 2 is a front elevation thereof;
FIG. 3 is a top plan view thereof;
FIG. 4 is a bottom plan view thereof;
FIG. 5 is a side elevation thereof, the opposite side being identical in appearance; and
FIG. 6 is a rear elevation thereof.



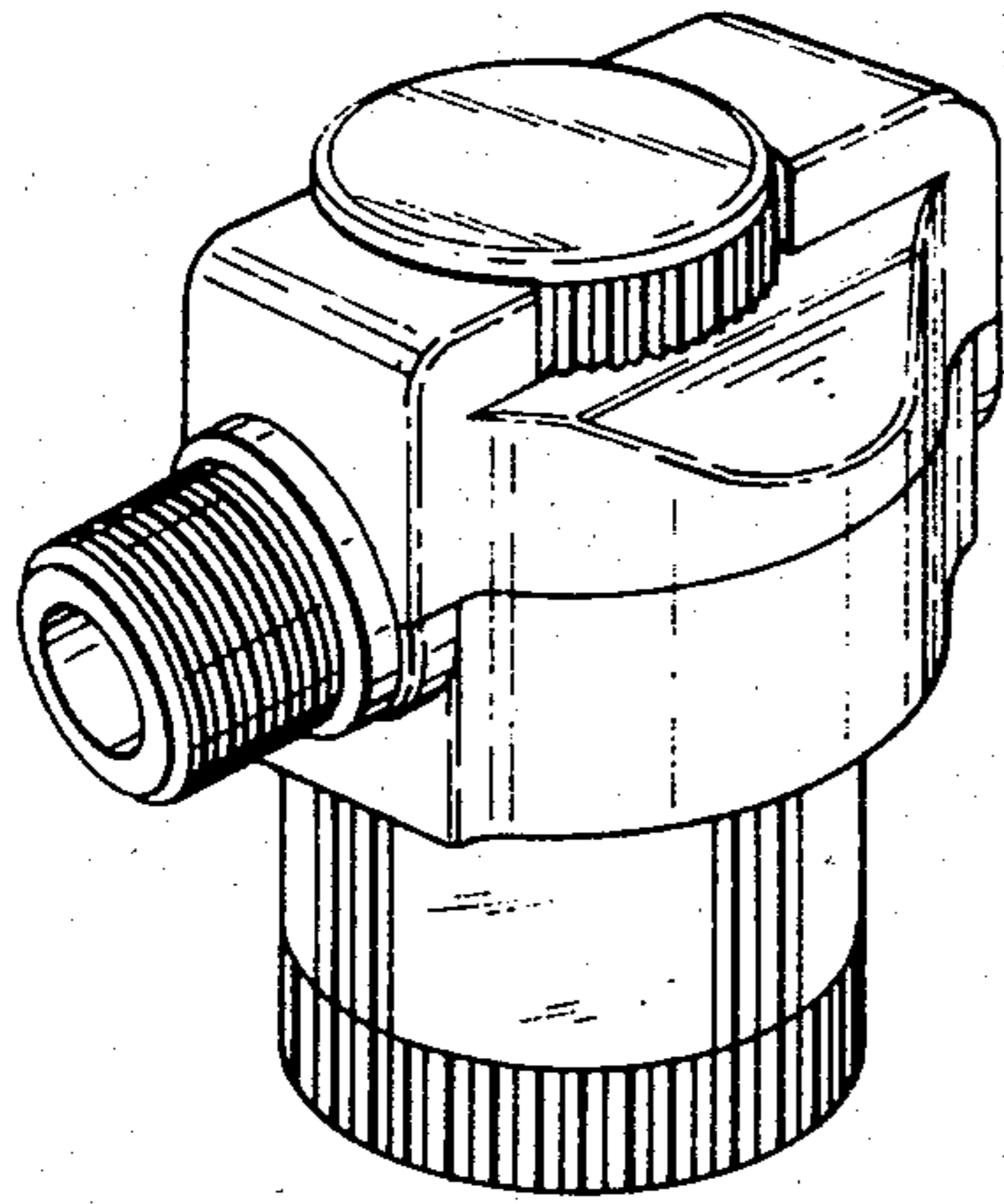


FIG. 1

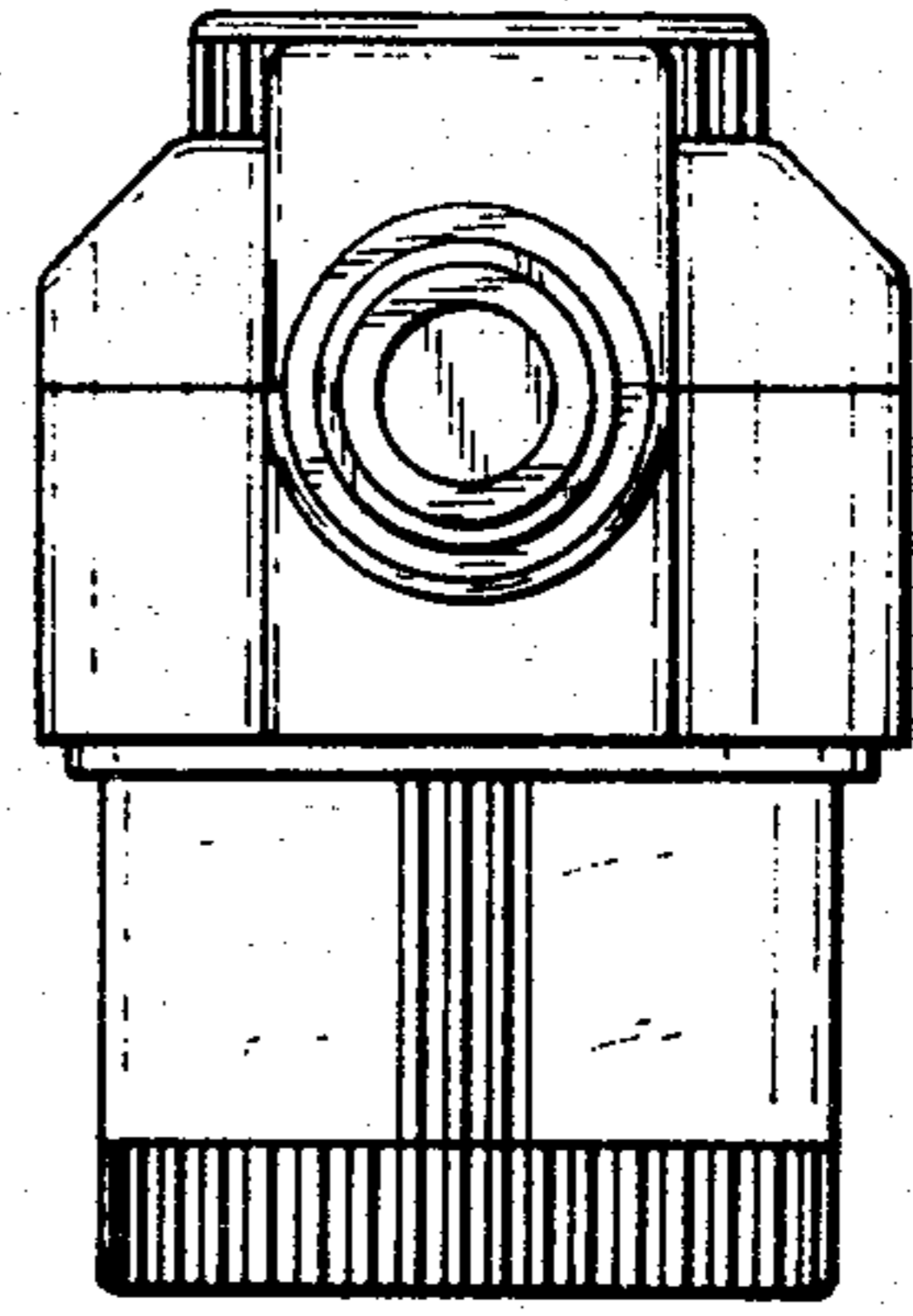


FIG. 2

FIG. 3

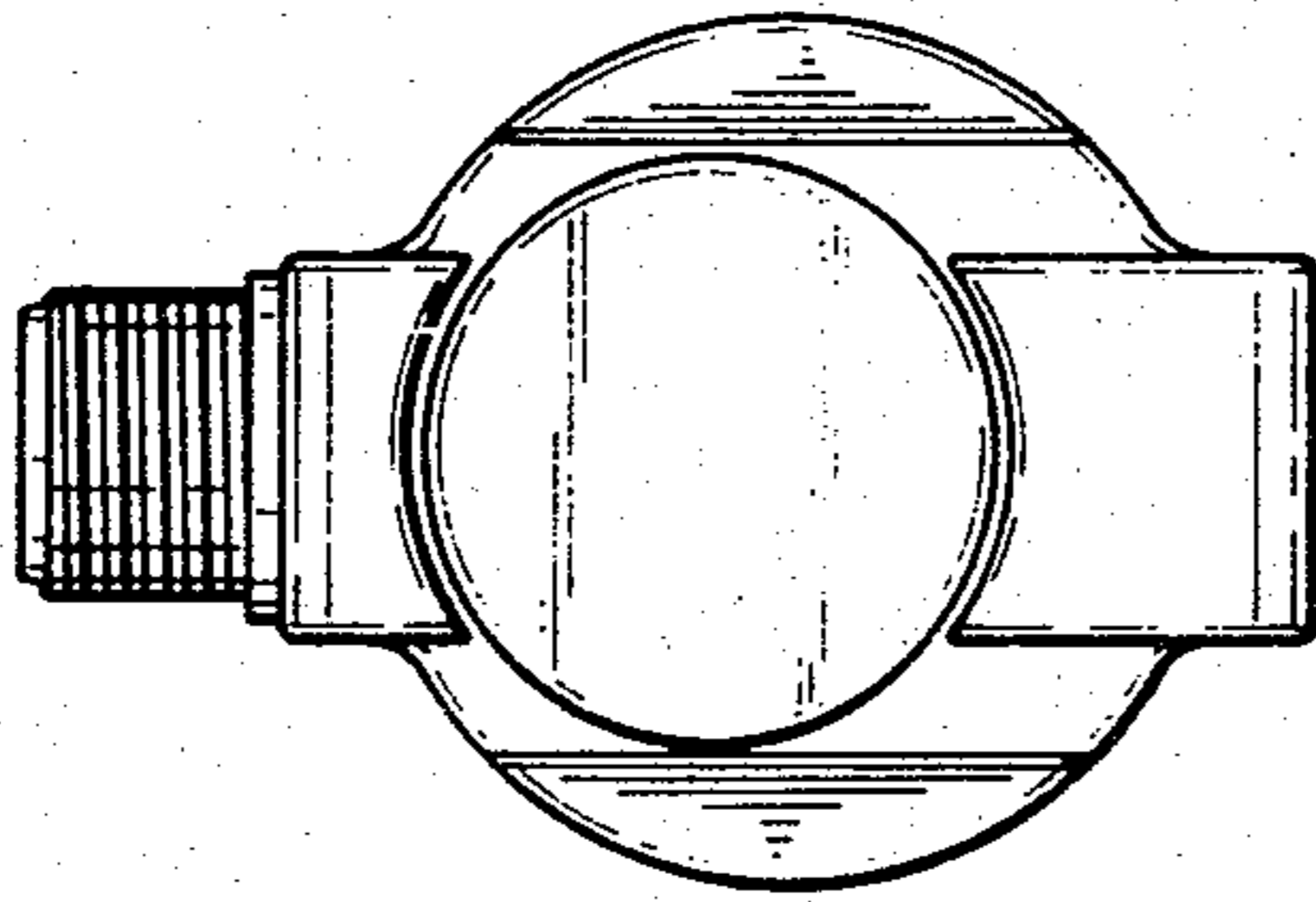


FIG. 4

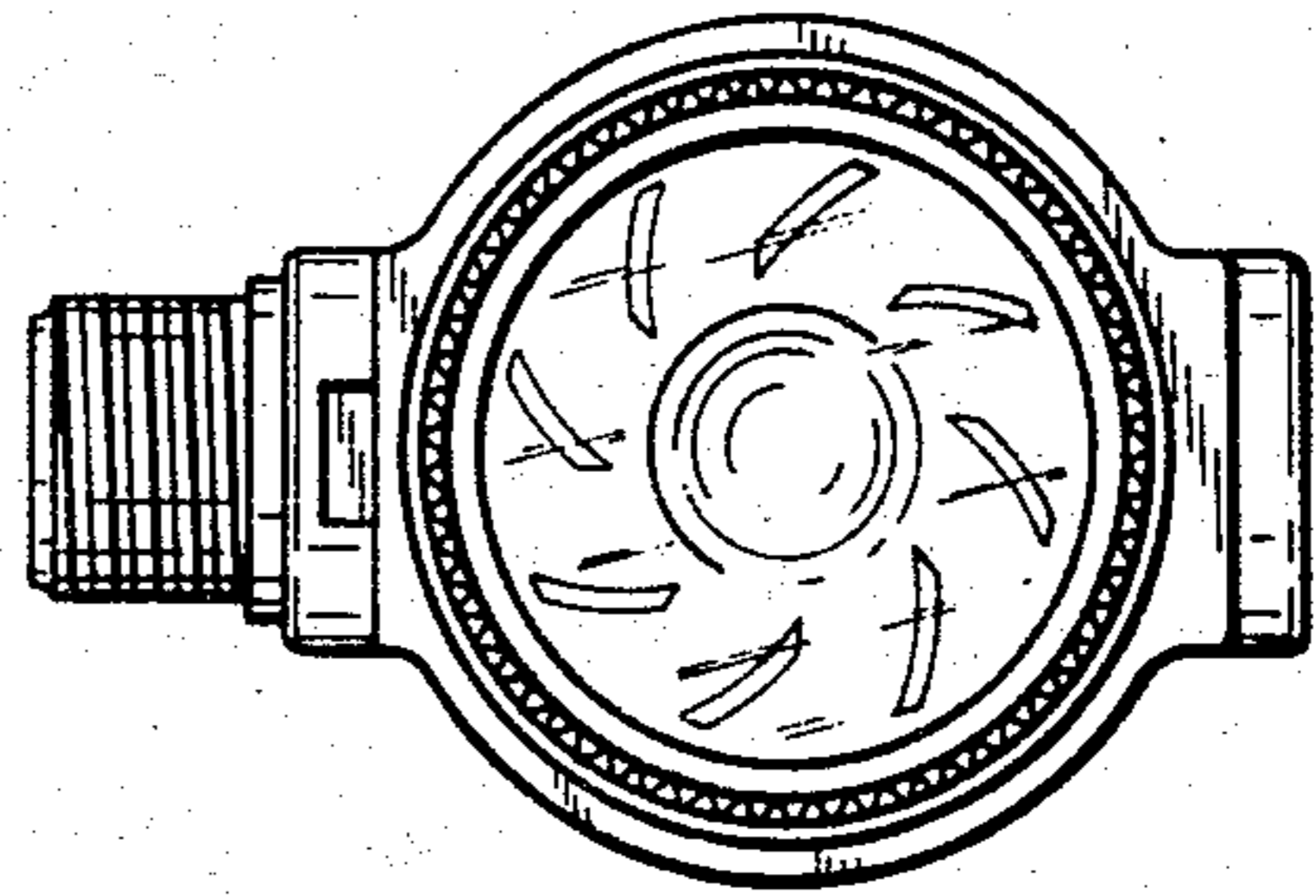


FIG. 5

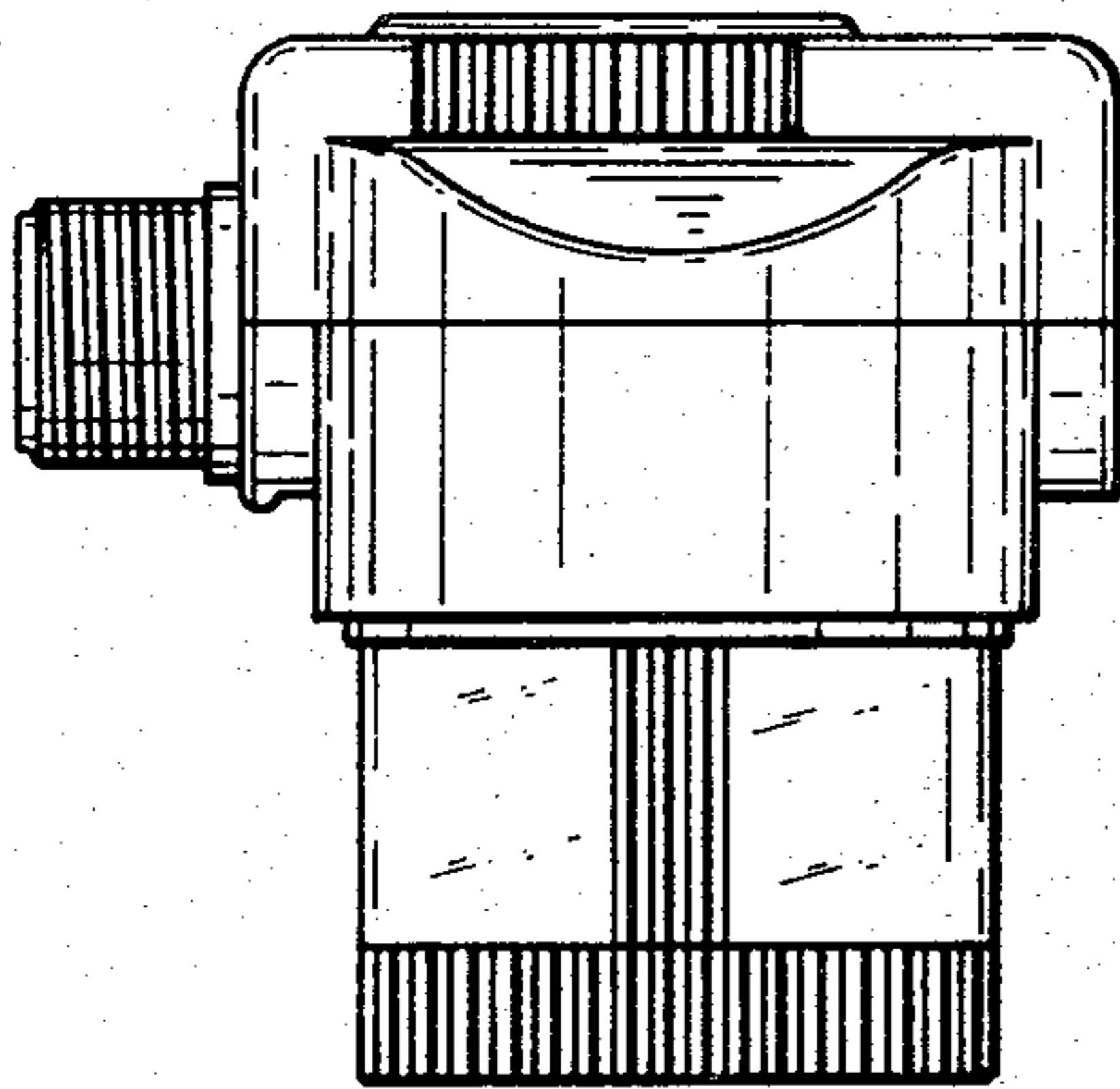


FIG. 6

