

United States Patent [19]

Reece

[11] Patent Number: **Des. 285,241**

[45] Date of Patent: **** Aug. 19, 1986**

[54] **DETACHABLE HAND PUMP**

[75] Inventor: **Marion E. Reece**, Mulvane, Kans.

[73] Assignee: **Thomas - Reece, Inc.**, Mulvane, Kans.

[**] Term: **14 Years**

[21] Appl. No.: **575,016**

[22] Filed: **Jan. 30, 1984**

[52] U.S. Cl. **D23/15**

[58] Field of Search **D23/14-16;**
417/555 R; **D15/7-9.3**

[56] **References Cited**

U.S. PATENT DOCUMENTS

D. 134,566	12/1942	Baker	D23/16
D. 255,826	7/1980	Stout et al.	D23/15
2,883,939	4/1959	Russell	417/555 R
3,124,080	4/1964	Sisson	417/555 X

4,301,826 11/1981 Beckerer 417/555 R X
4,428,478 1/1984 Hoffman 417/555 R

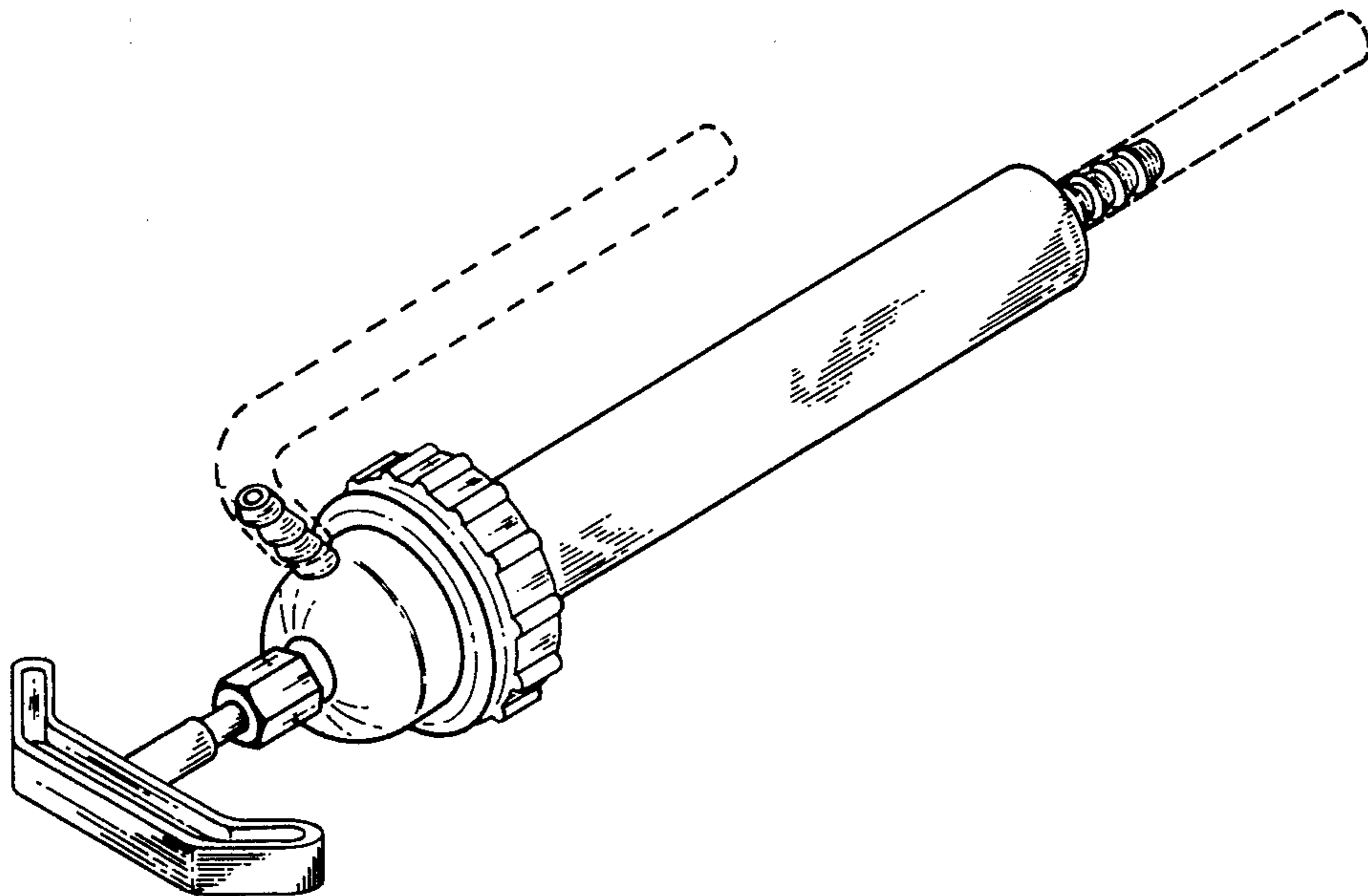
Primary Examiner—A. Hugo Word
Assistant Examiner—Brian N. Vinson
Attorney, Agent, or Firm—Robert E. Breidenthal

[57] **CLAIM**

The ornamental design for a detachable hand pump, substantially as shown and described.

DESCRIPTION

FIG. 1 is a perspective view of a detachable hand pump showing my new design;
FIG. 2 is a left side elevation thereof;
FIG. 3 is a top plan view thereof;
FIG. 4 is a bottom plan view thereof;
FIG. 5 is a front elevation thereof; and
FIG. 6 is a right side elevation thereof.
The broken line showing of flexible hoses in FIG. 1 is for illustrative purposes only and forms no part of the claimed design.



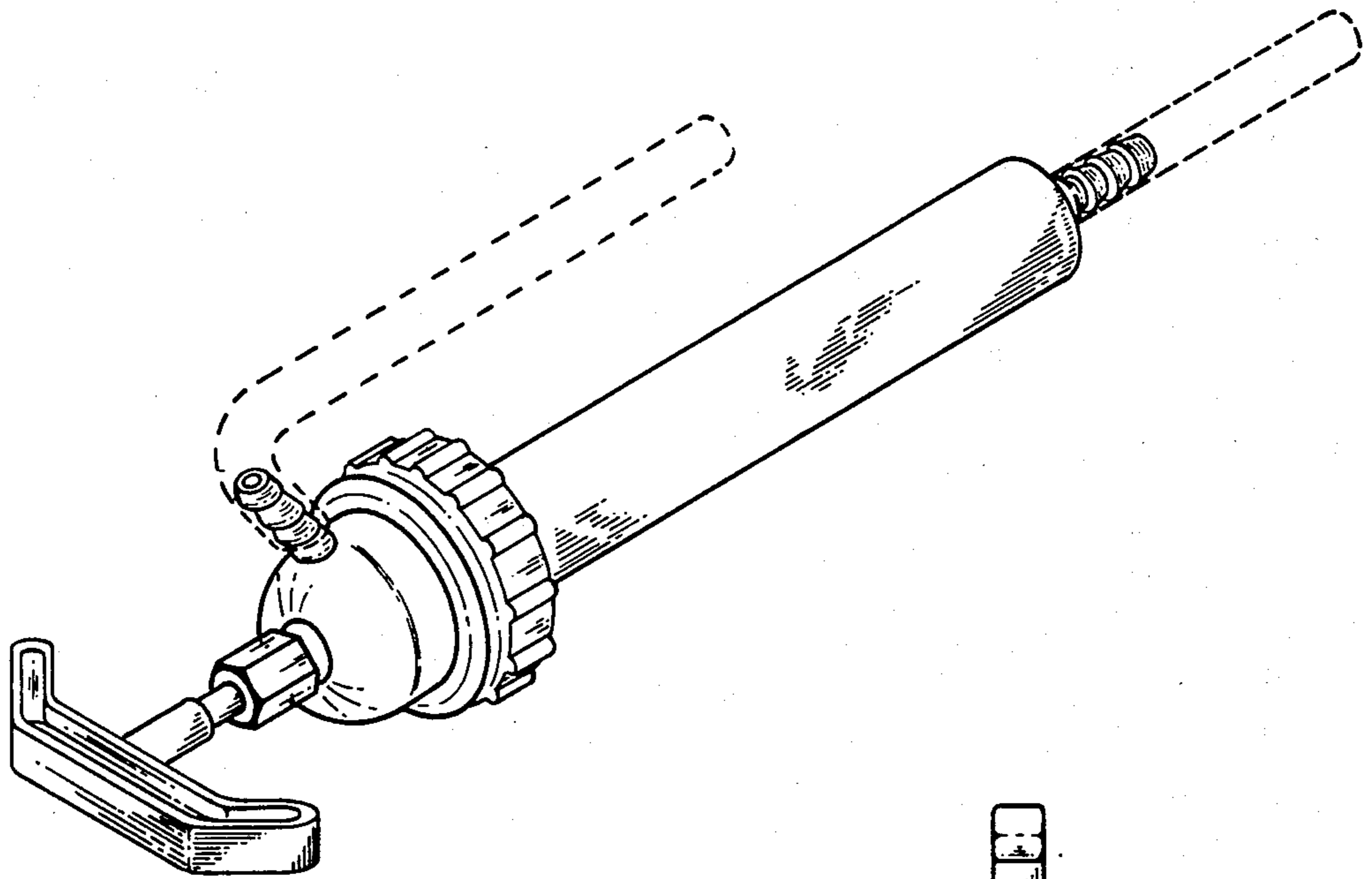


FIG 1

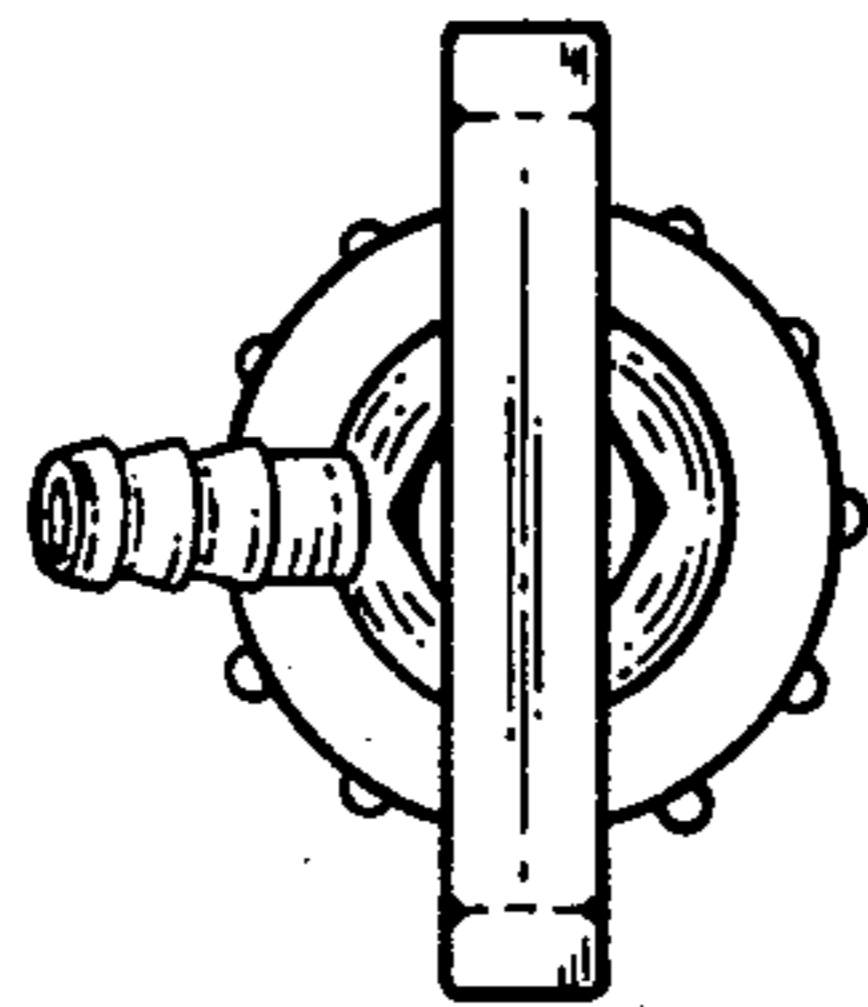


FIG 3

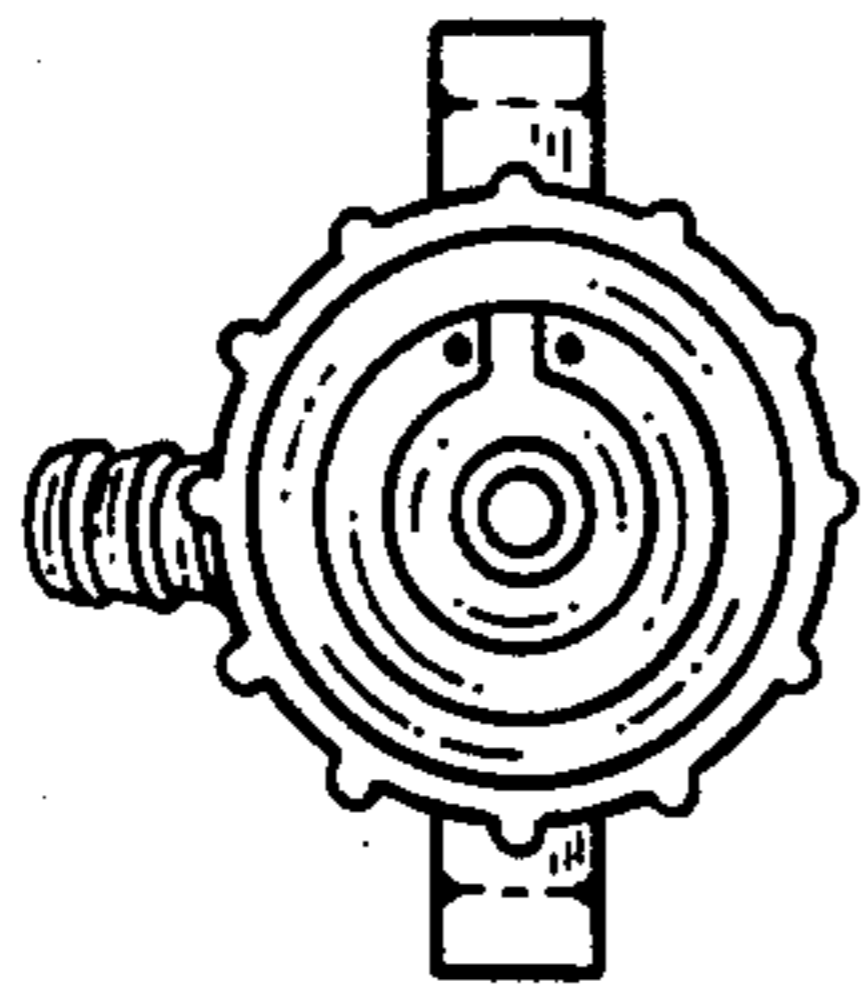


FIG 4

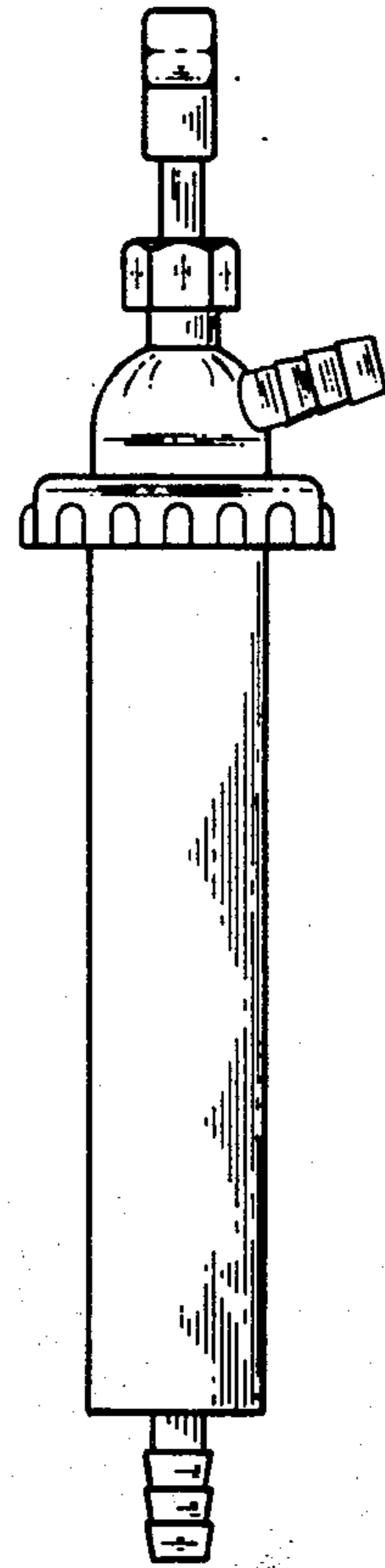


FIG 2

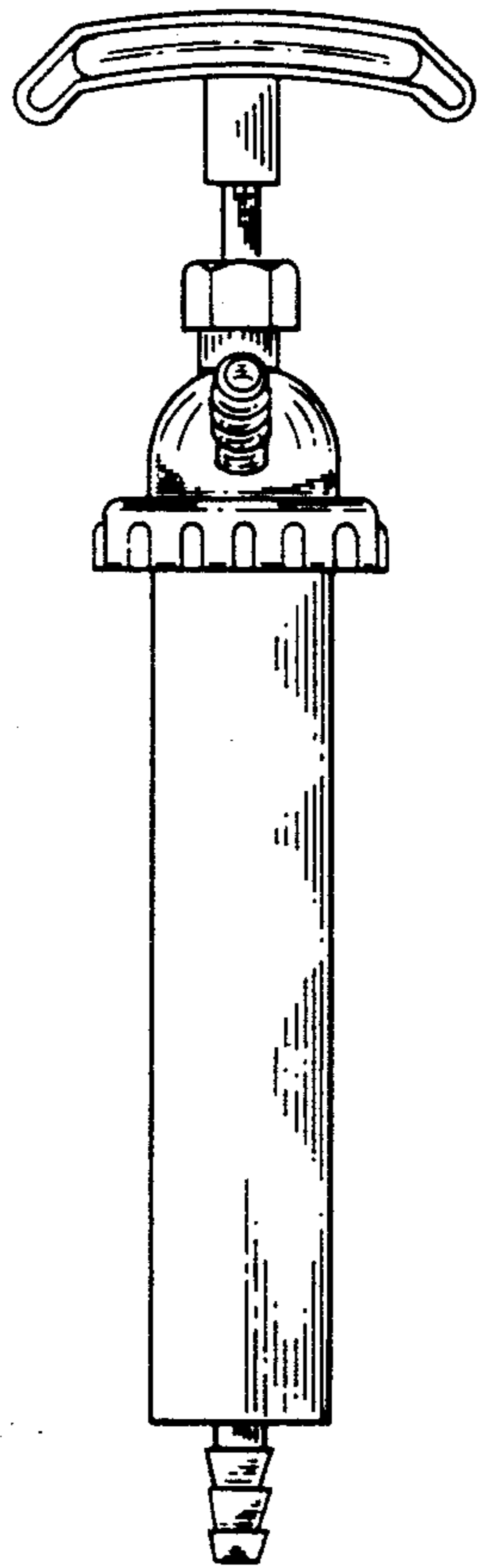


FIG 5



FIG 6