

[54] BASE FOR ROTARY SPRINKLER

[75] Inventors: Ho Chow, Cliffside Park, N.J.;
Gordon R. Perry, New York, N.Y.

[73] Assignee: Jet Stream, Inc., Wilmington, Del.

[**] Term: 14 Years

[21] Appl. No.: 681,364

[22] Filed: Dec. 13, 1984

[52] U.S. Cl. D23/7

[58] Field of Search D23/6-10;
239/67, 177-178, 190-192, 232, 261, 286

[56] References Cited

U.S. PATENT DOCUMENTS

D. 151,118	9/1948	Borgerson	D23/7
D. 163,470	5/1951	Nelson	D23/7
D. 163,471	5/1951	Nelson	D23/7
D. 202,863	11/1965	Turner	D23/8
2,563,519	8/1951	Egly et al.	239/192 X
2,883,116	4/1959	Muench	239/178 X
3,081,038	3/1963	Sparks et al.	239/192

OTHER PUBLICATIONS

Lynden Metal Craft "Automatic Rolling Sprinkler"-
Hardware Age, 2/12/1959.

Sherman Mfg. "Rainger"-Hardware Age, 9/22/1960.

Primary Examiner—B. J. Bullock

Assistant Examiner—Brian N. Vinson

Attorney, Agent, or Firm—James & Franklin

[57] CLAIM

The ornamental design for a base for rotary sprinkler,
substantially as shown and described.

DESCRIPTION

FIG. 1 is a top perspective view of a base for a rotary
sprinkler showing our new design;
FIG. 2 is a top plan view thereof;
FIG. 3 is an elevational view from one side thereof, the
other side being a mirror image;
FIG. 4 is a bottom plan view thereof;
FIG. 5 is a front elevational view thereof; and
FIG. 6 is a rear elevational view thereof.

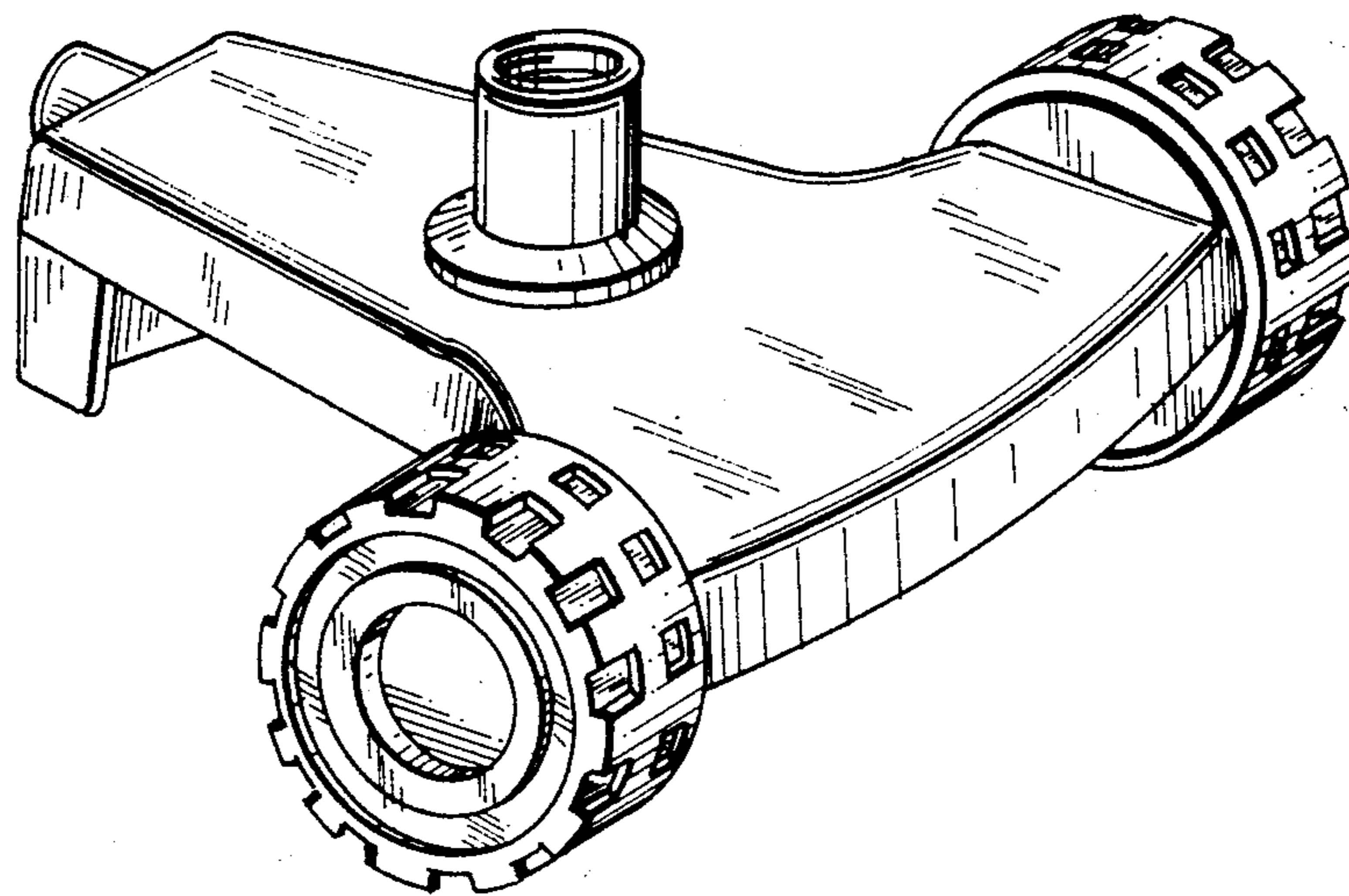


FIG. 1

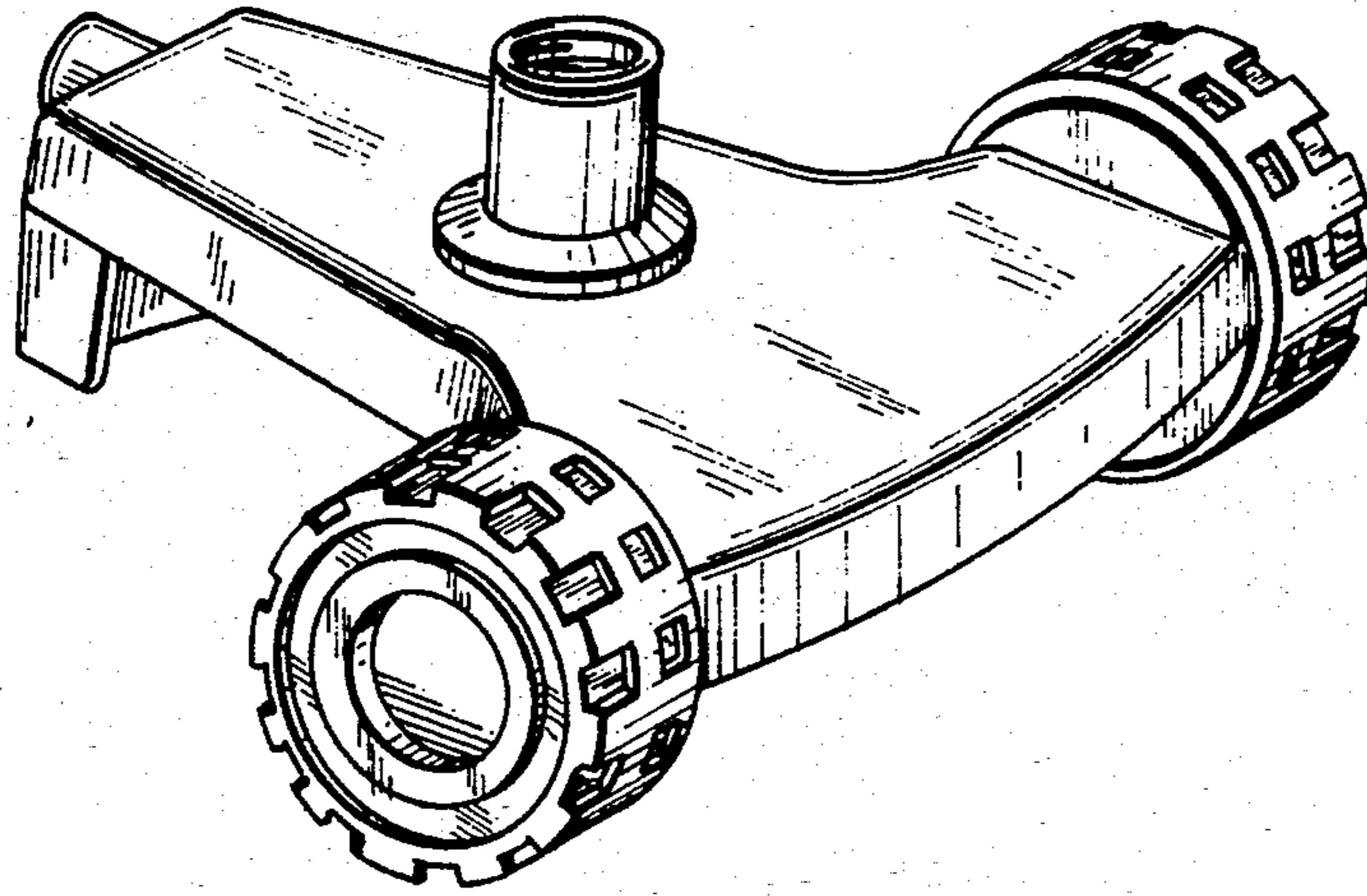


FIG. 2

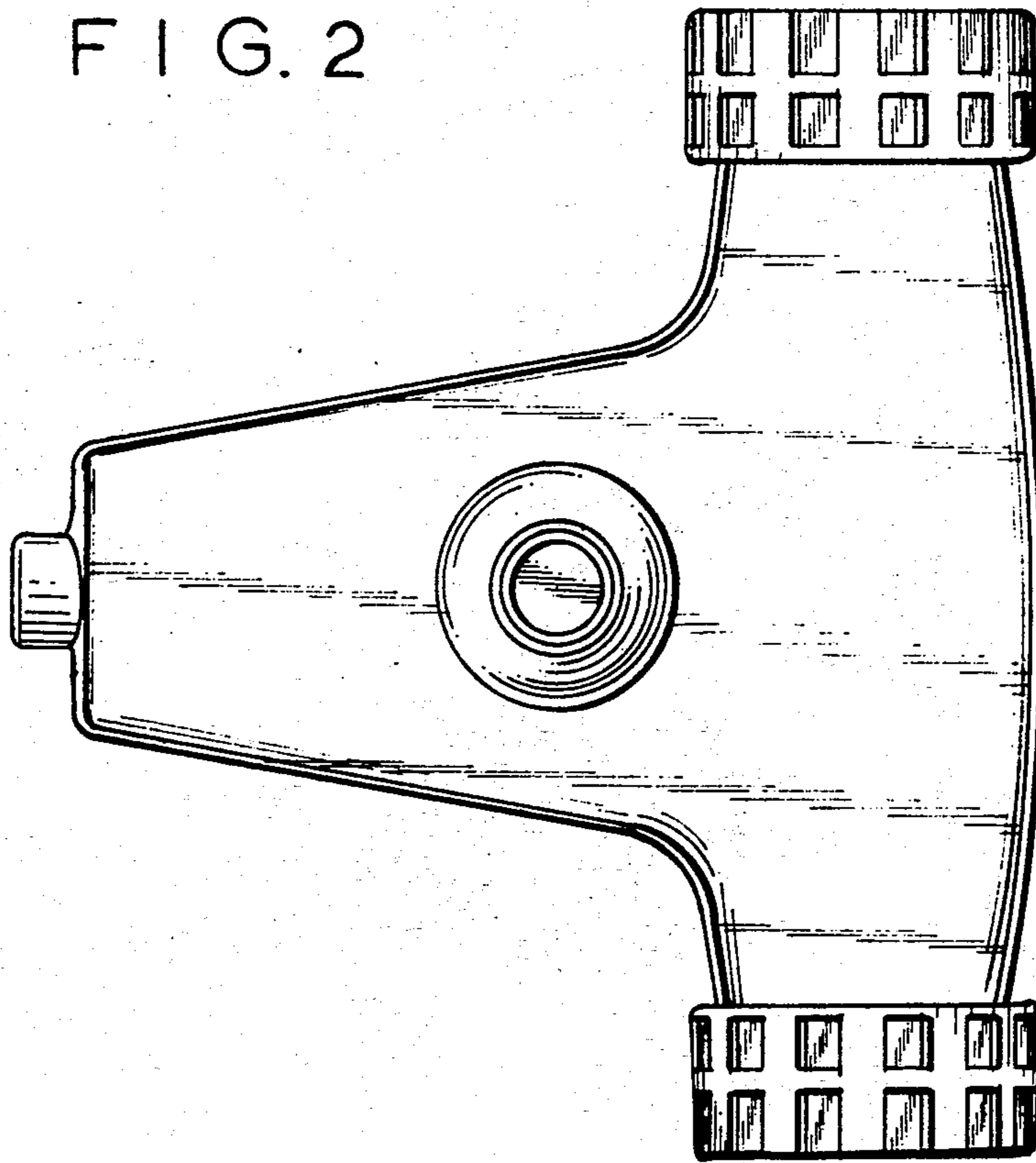


FIG. 3

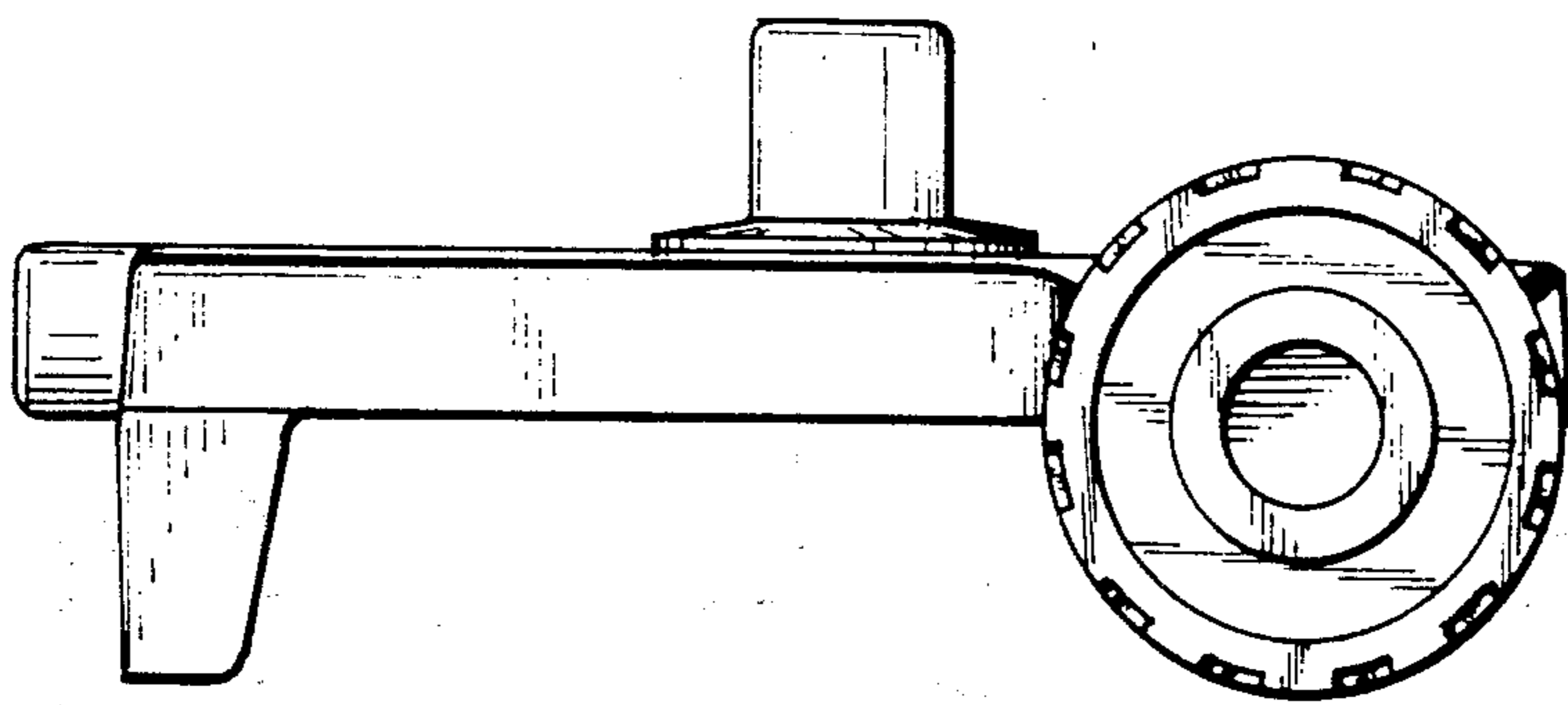


FIG. 4

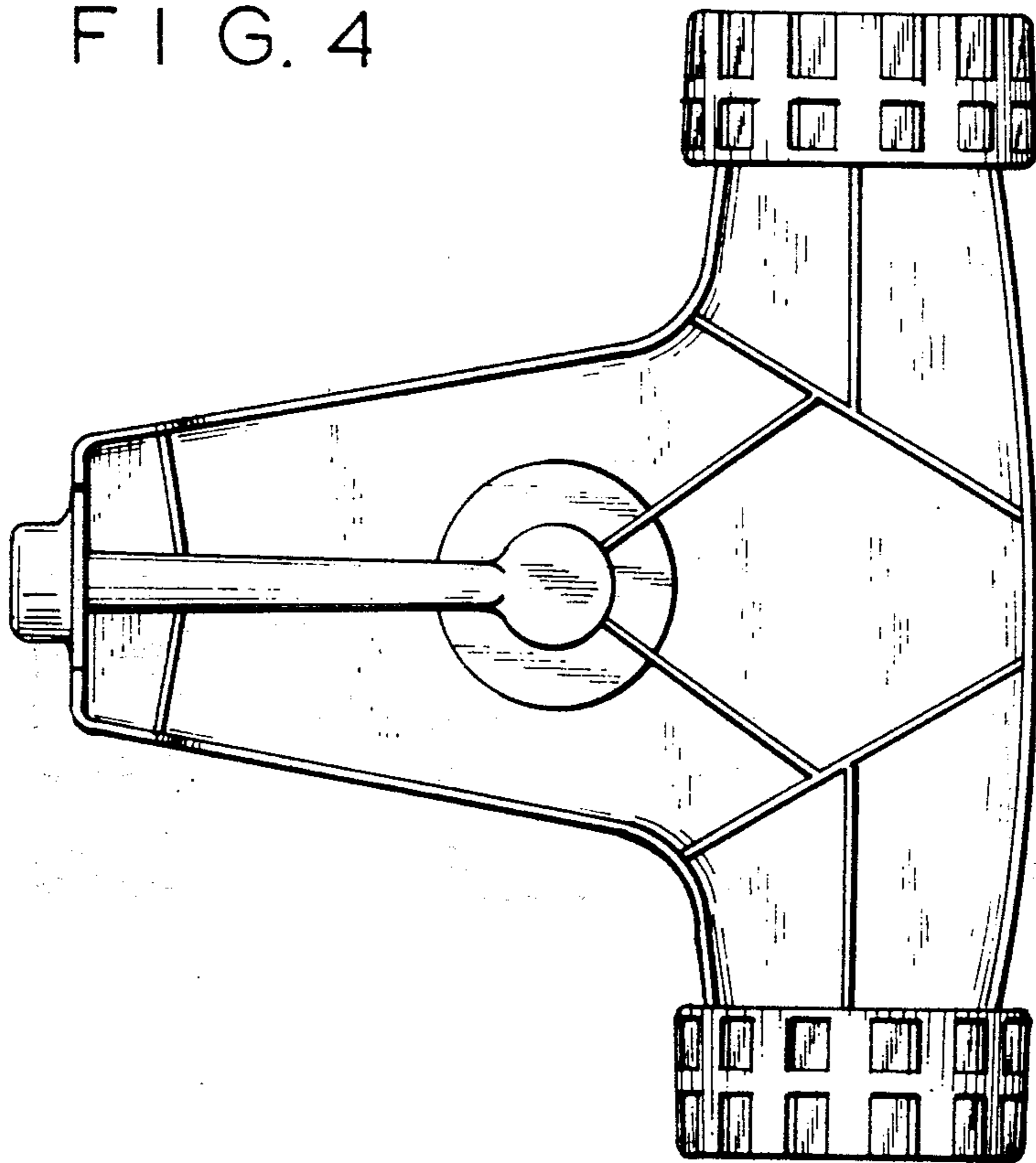


FIG. 5

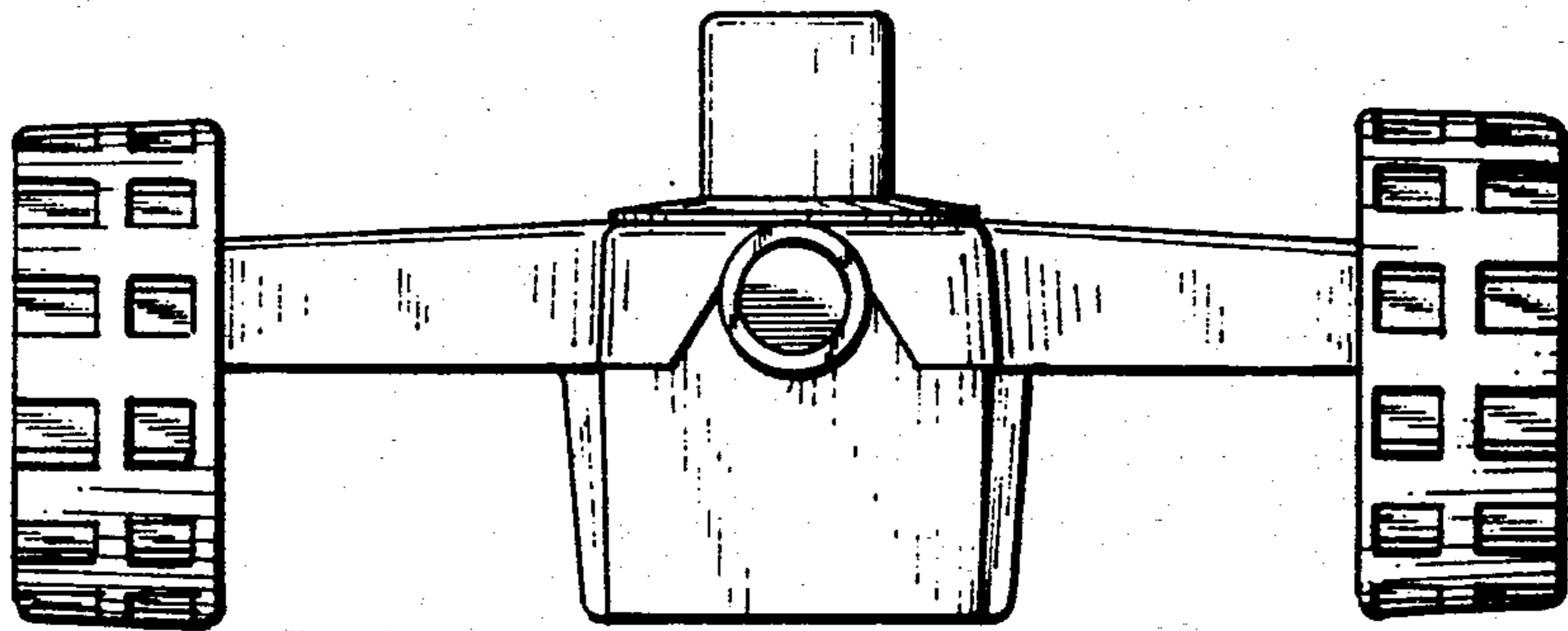


FIG. 6

