

[54] **RIFLE RECEIVER**

[76] **Inventor:** Loren F. Brunton, 363-34th Ave., East Moline, Ill. 61244

[**] **Term:** 14 Years

[21] **Appl. No.:** 505,621

[22] **Filed:** Jun. 20, 1983

[52] **U.S. Cl.** D22/108

[58] **Field of Search** 42/16, 49 A, 75 A, 77; 89/14.05, 14.2, 149, 197, 198, 199; D22/1, 6, 7, 8

[56] **References Cited**

U.S. PATENT DOCUMENTS

3,776,095 12/1973 Atchisson 42/16
4,169,329 10/1979 Atchisson 42/16

OTHER PUBLICATIONS

Jane's Infantry Weapons, 1978, p. 219, Rifle M16.

Primary Examiner—A. Hugo Word

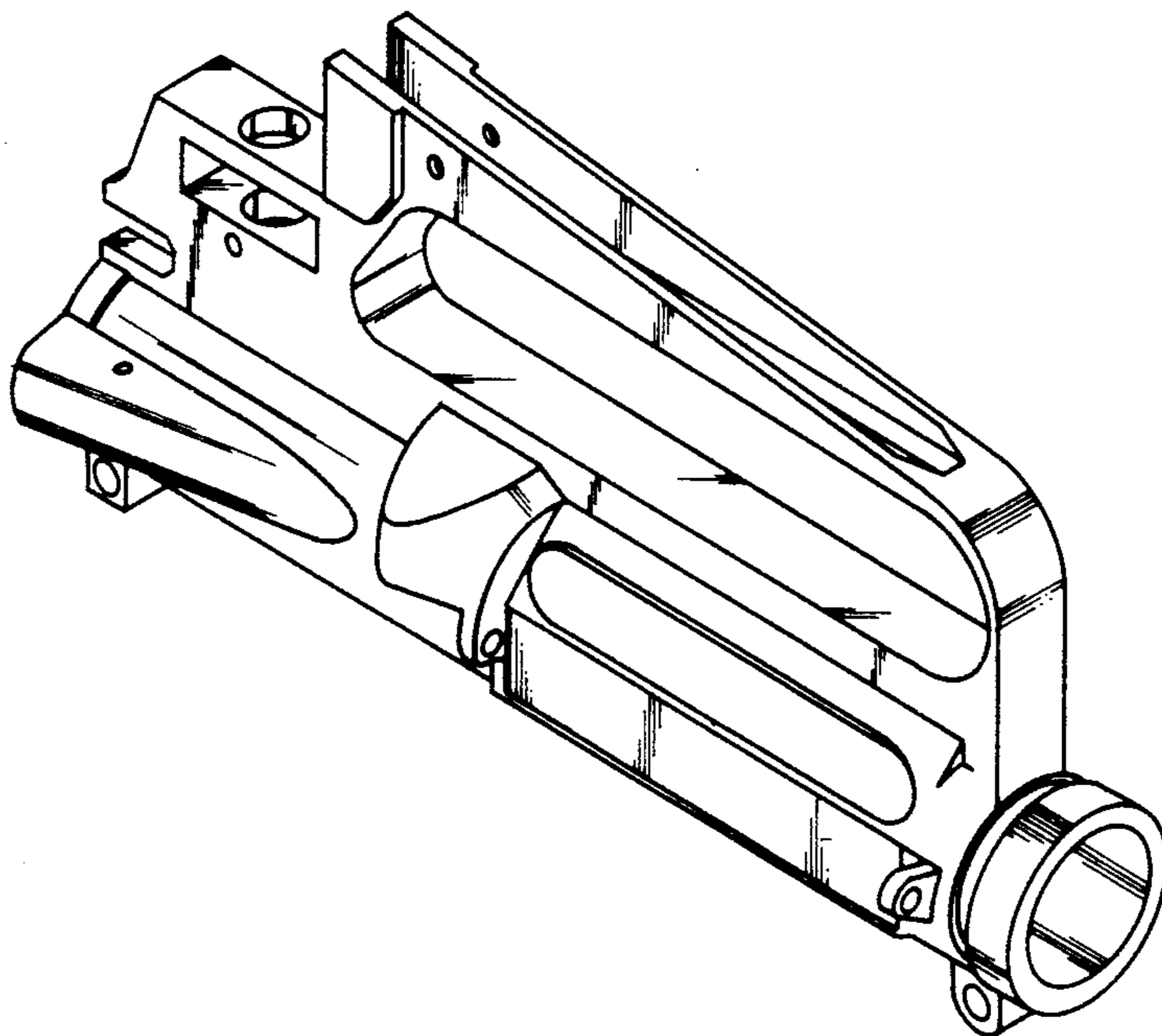
Attorney, Agent, or Firm—Anthony T. Lane; Robert P. Gibson; Michael C. Sachs

[57] **CLAIM**

The ornamental design for a rifle receiver, substantially as shown and described.

DESCRIPTION

FIG. 1 is a perspective view of the rifle receiver; FIG. 2 is a right side elevational view of the rifle receiver; FIG. 3 is a top plan view thereof; FIG. 4 is a bottom view of the rifle receiver; FIG. 5 is a front elevational view thereof; and FIG. 6 is a rear elevational view thereof.



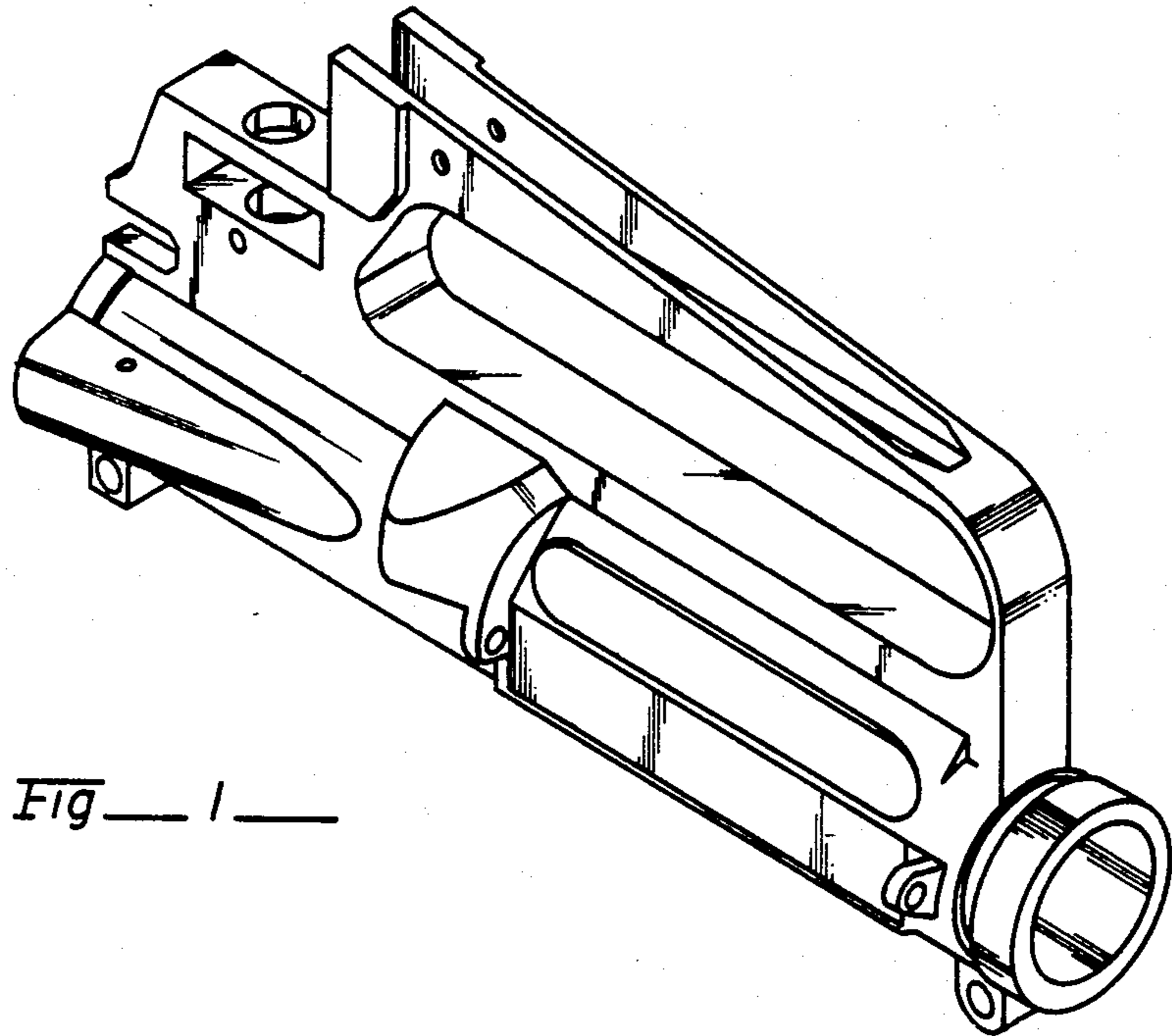
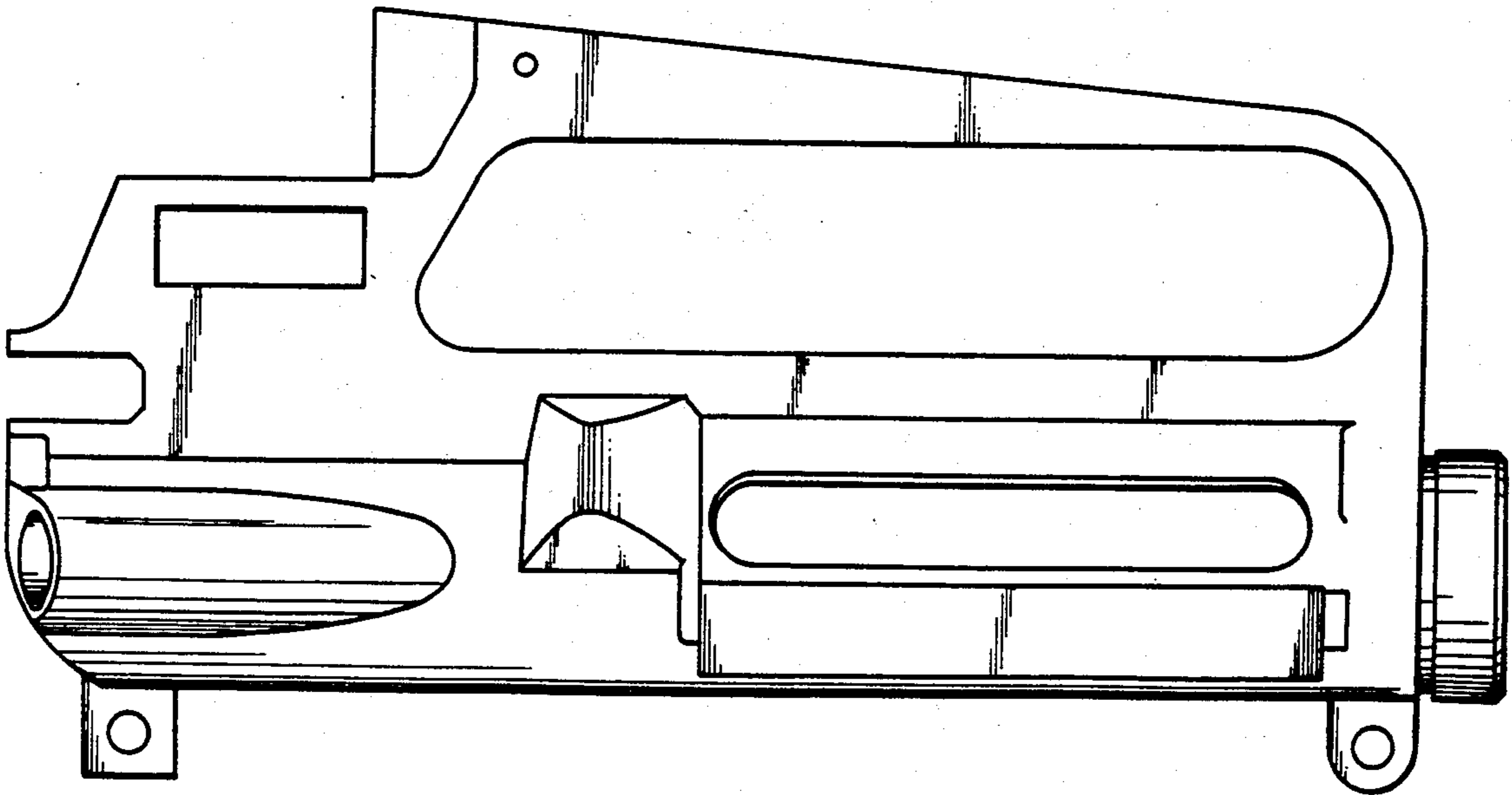


Fig 1

Fig 2



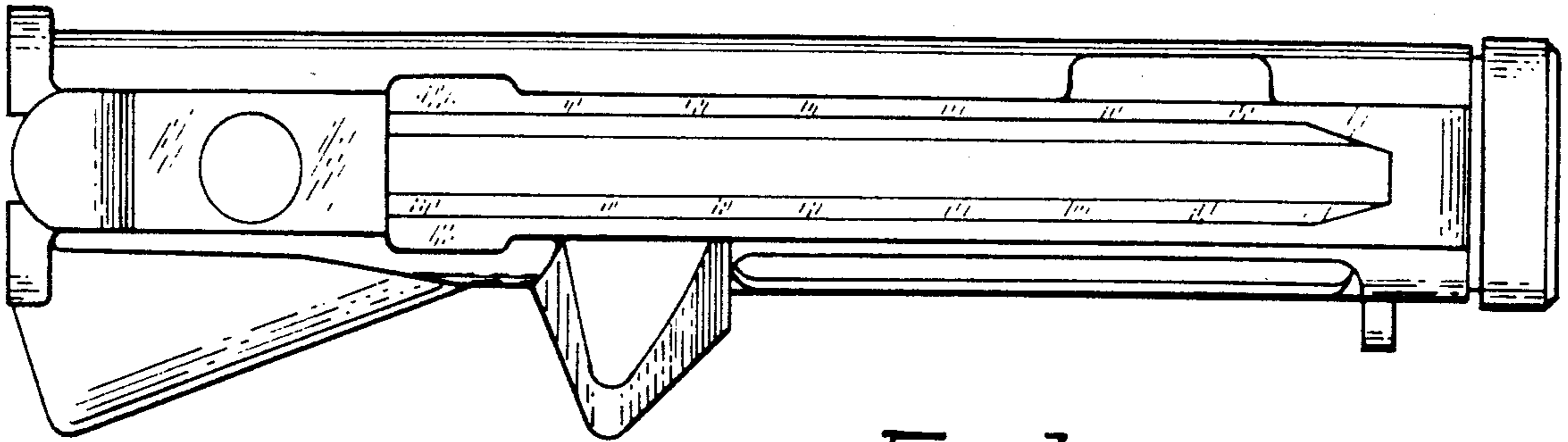


Fig. 3

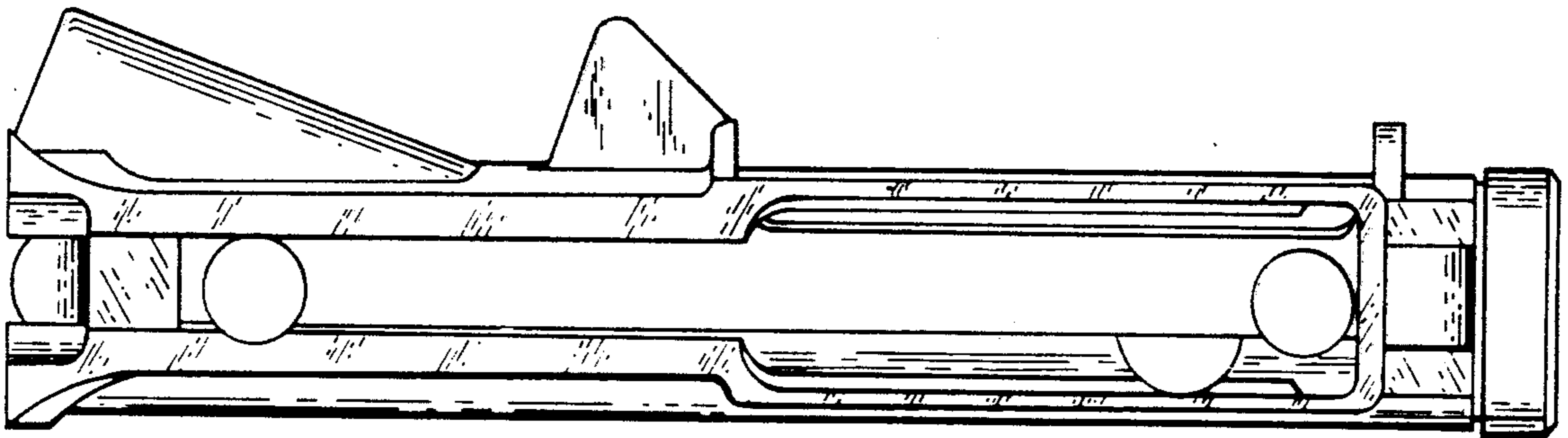


Fig. 4

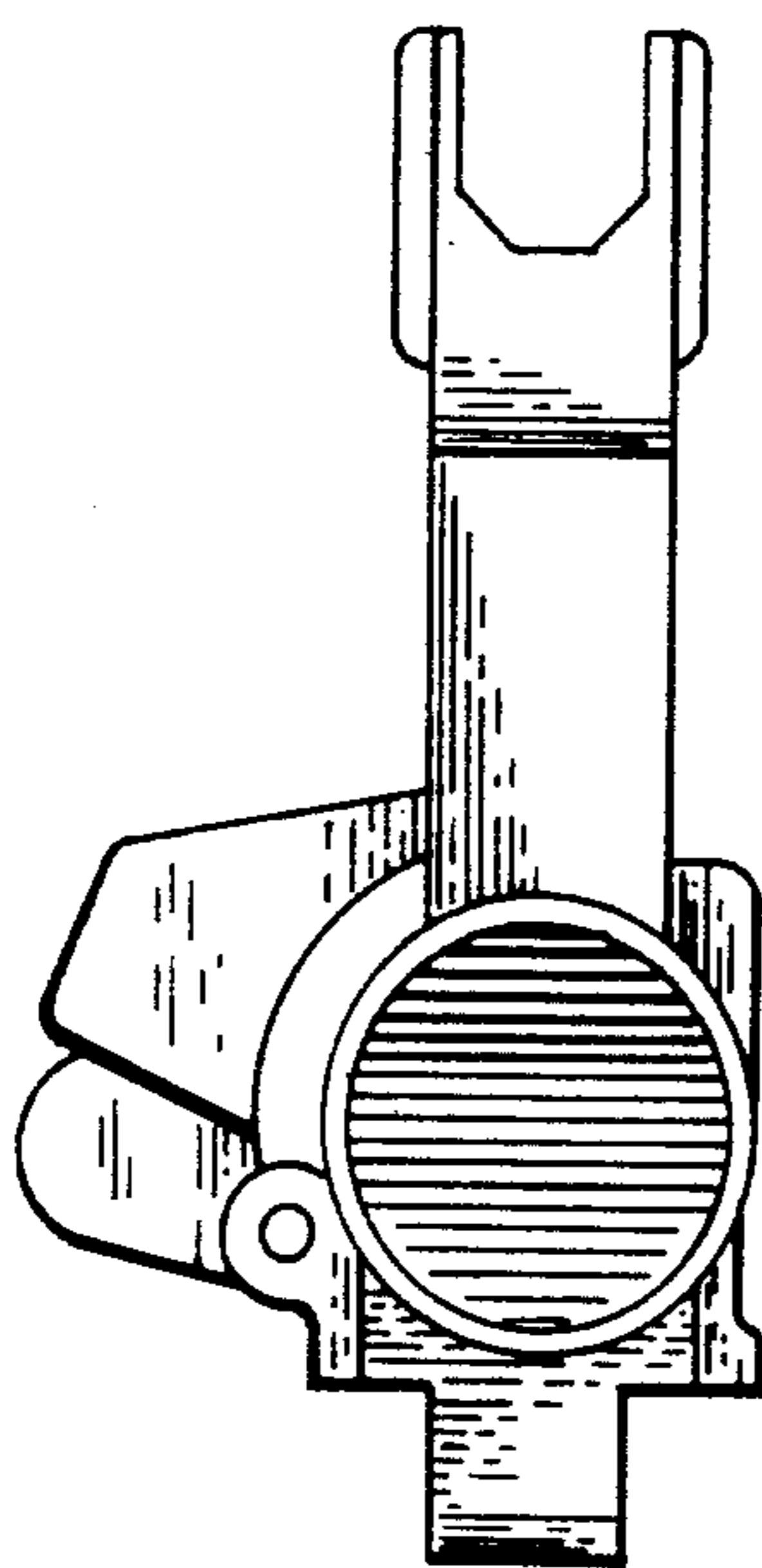


Fig. 5

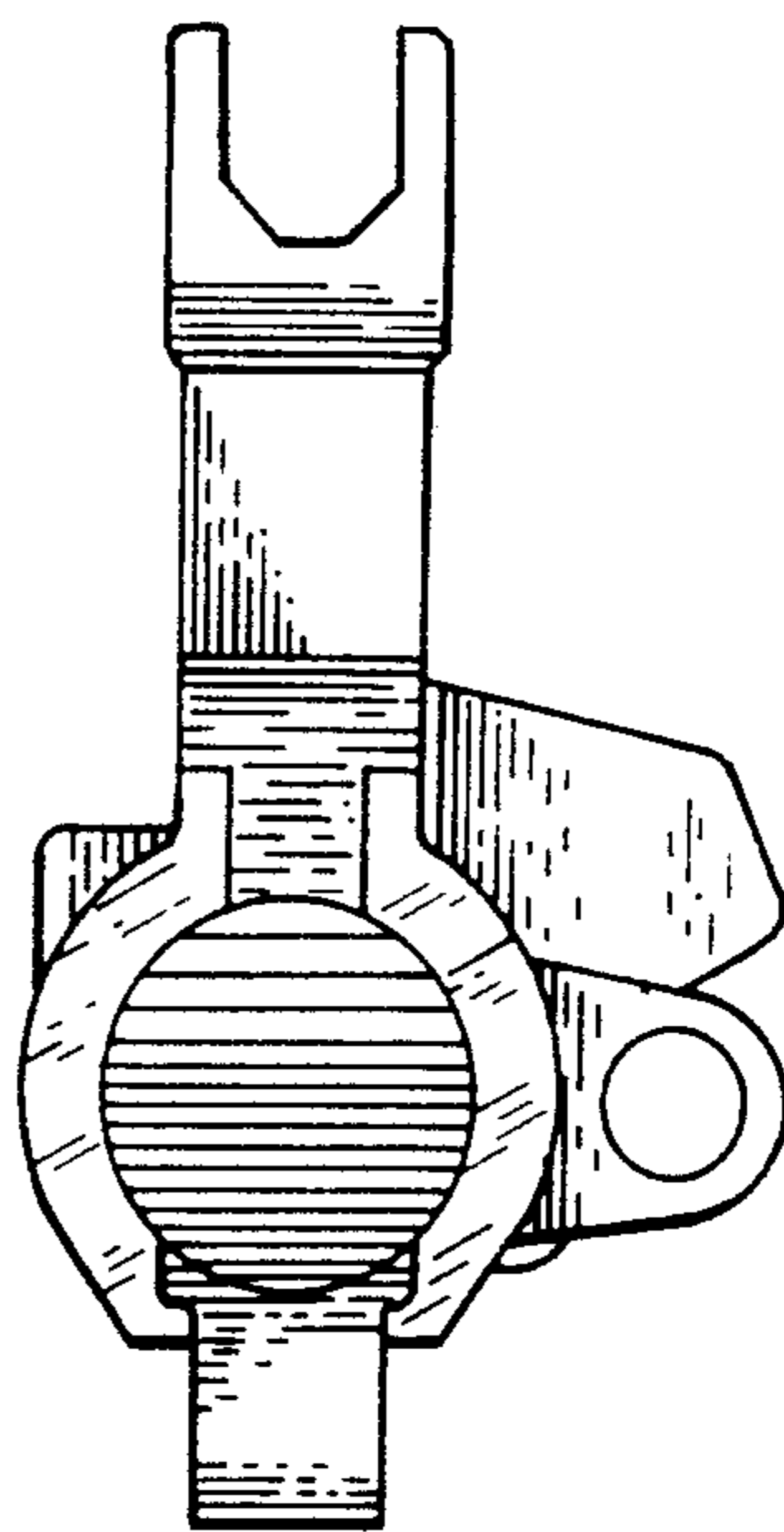


Fig. 6