

# United States Patent [19]

Swearngen et al.

[11] Patent Number: **Des. 285,234**

[45] Date of Patent: **\*\* Aug. 19, 1986**

[54] FIREARM

3,999,461 12/1976 Johnson et al. .... 42/15

[75] Inventors: **Thomas F. Swearngen, Burton, S.C.;**  
**Walter J. Makauskas, Prospect,**  
**Conn.**

*Primary Examiner*—A. Hugo Word  
*Attorney, Agent, or Firm*—McCormick, Paulding &  
Huber

[73] Assignee: **O. F. Mossberg & Sons, Inc., North**  
**Haven, Conn.**

[57] **CLAIM**

The ornamental design for a firearm, as shown and described.

[\*\*] Term: **14 Years**

[21] Appl. No.: **569,751**

[22] Filed: **Jan. 10, 1984**

[52] U.S. Cl. .... **D22/100**

[58] Field of Search ..... **D22/1, 6; 89/139, 125,**  
**89/191 R; 42/15, 69 B**

**DESCRIPTION**

FIG. 1 is a right side elevational view of a firearm showing our new design.

FIG. 2 is a left side elevational view of the firearm.

FIG. 3 is a top plan view of the firearm as it appears in FIG. 1.

FIG. 4 is a bottom plan view of the firearm as it appears in FIG. 1.

FIG. 5 is a front end elevational view of the firearm looking from the right of FIG. 1.

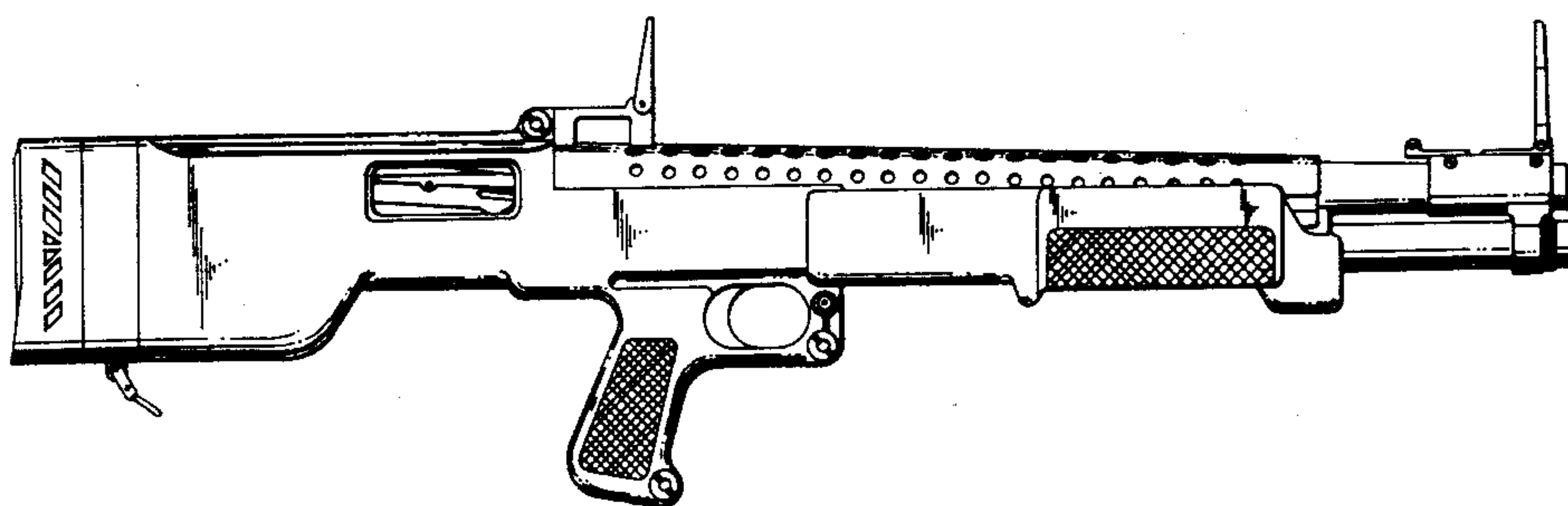
FIG. 6 is a rear end elevational view of the firearm looking from the left of FIG. 1.

[56] **References Cited**

**U.S. PATENT DOCUMENTS**

D. 189,669 1/1961 Leek et al. .... D22/6

D. 251,979 5/1979 Hance ..... D22/6



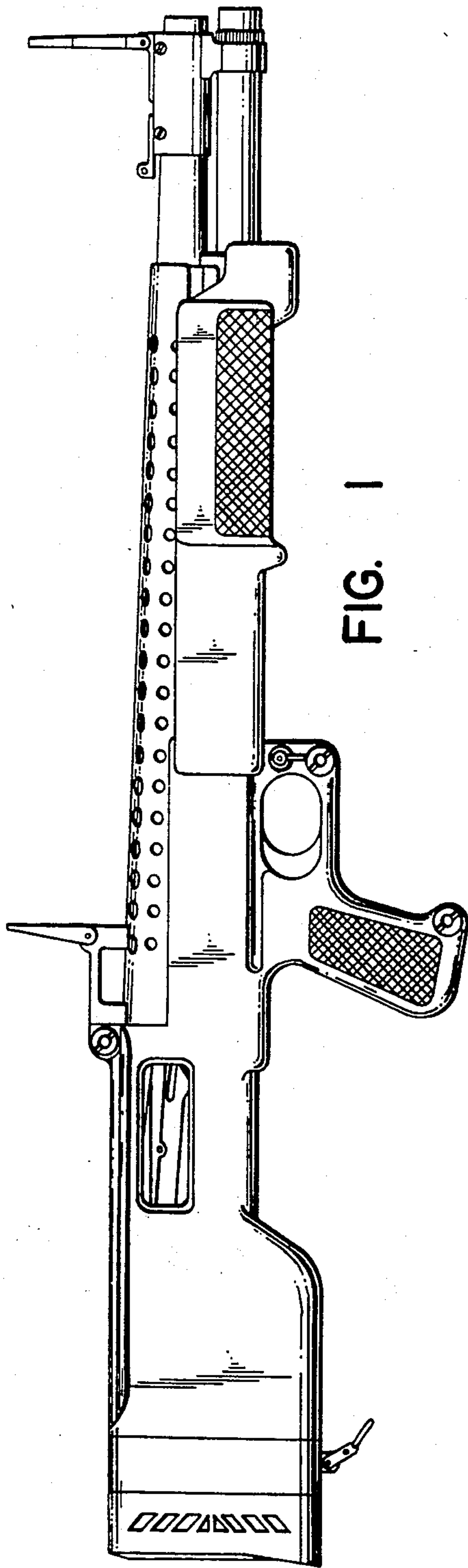


FIG. 1

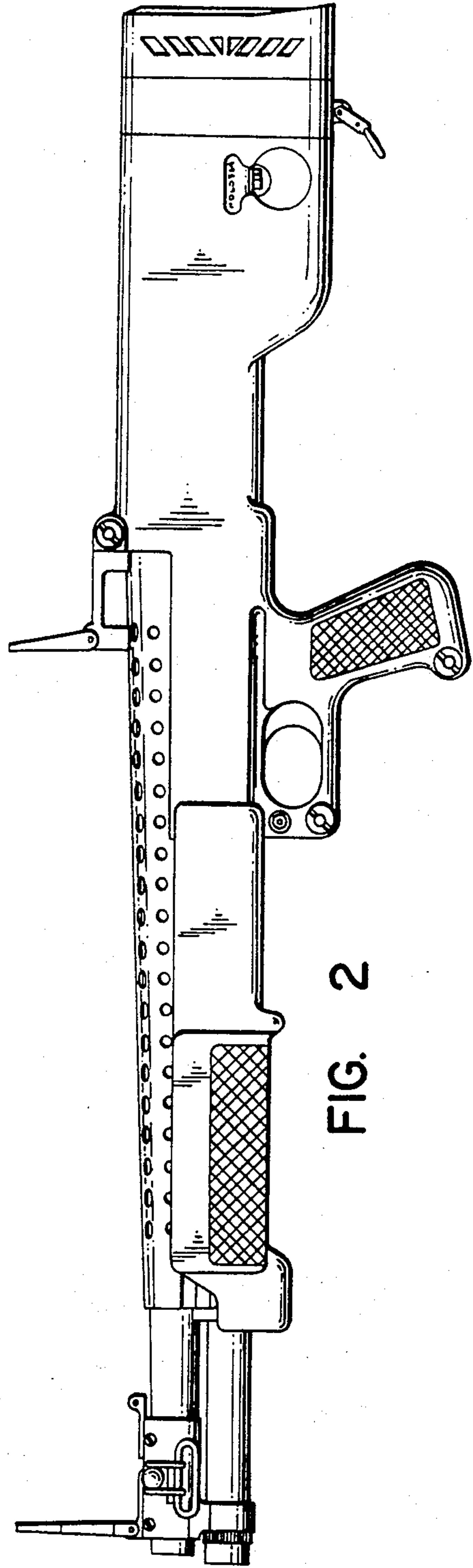


FIG. 2

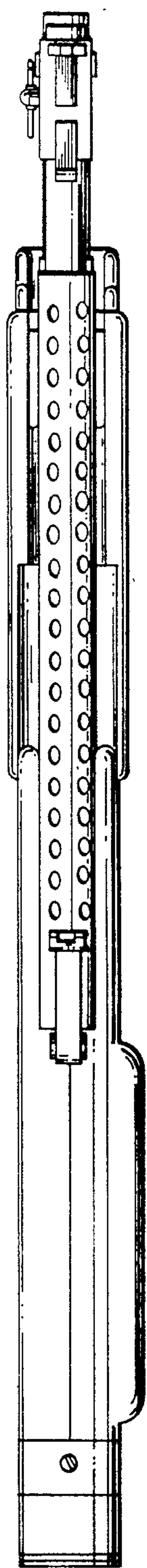


FIG. 3

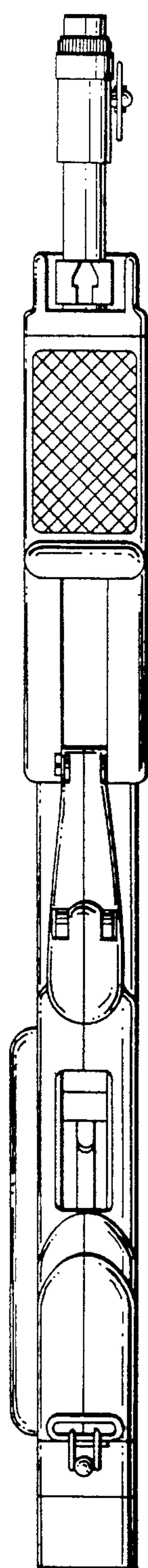


FIG. 4

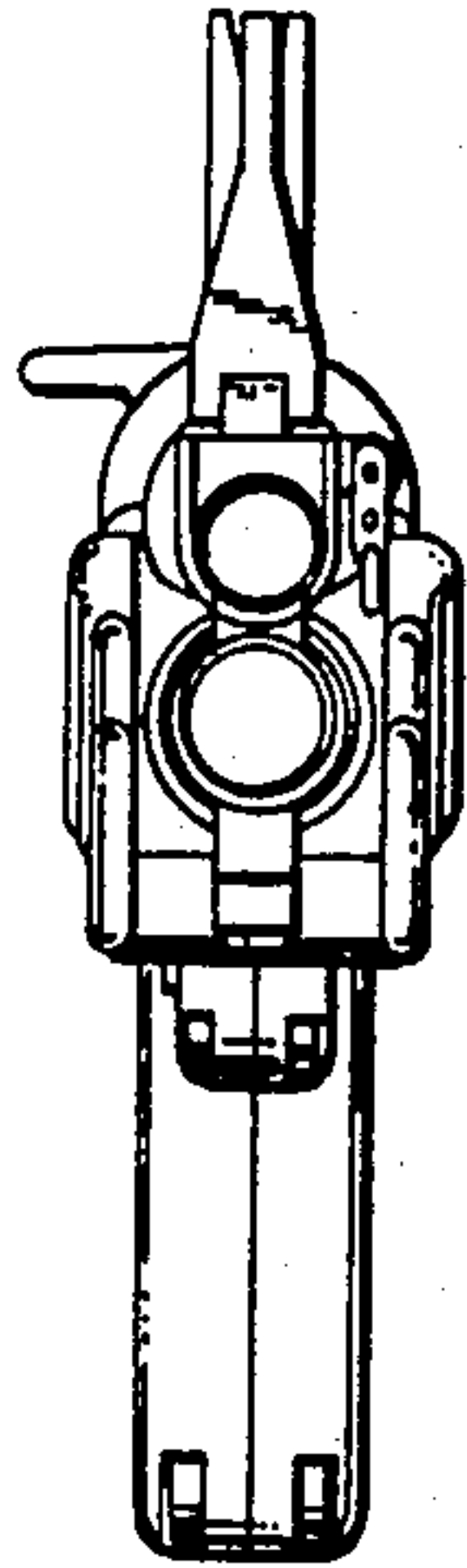


FIG. 5

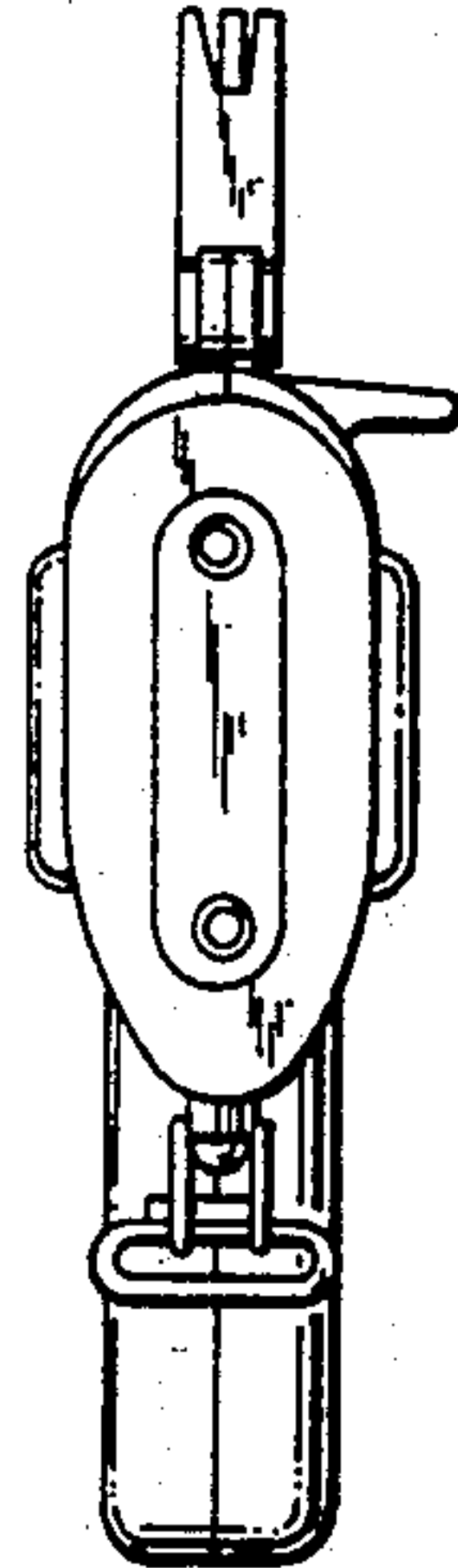


FIG. 6