

[54] GOLFER'S TOOL

[75] Inventor: Stanley Owen, Chattanooga, Tenn.

[73] Assignee: Consolidated Marketing, Inc., Ooltewah, Tenn.

[**] Term: 14 Years

[21] Appl. No.: 586,333

[22] Filed: Mar. 5, 1984

[52] U.S. Cl. D21/234; D28/57

[58] Field of Search D21/234; D28/57, 59; 273/32 B; 132/73.5, 75.3, 75.6

[56] References Cited

U.S. PATENT DOCUMENTS

D. 218,836	9/1970	Watanabe	D21/234
D. 237,516	11/1975	Yaudes	D21/234
D. 238,436	1/1976	McKelvey	D21/234
2,630,212	3/1953	Mosch	132/73.5
4,535,987	8/1985	Dikoff	273/32 B

FOREIGN PATENT DOCUMENTS

2206818 8/1973 Fed. Rep. of Germany 132/73.5

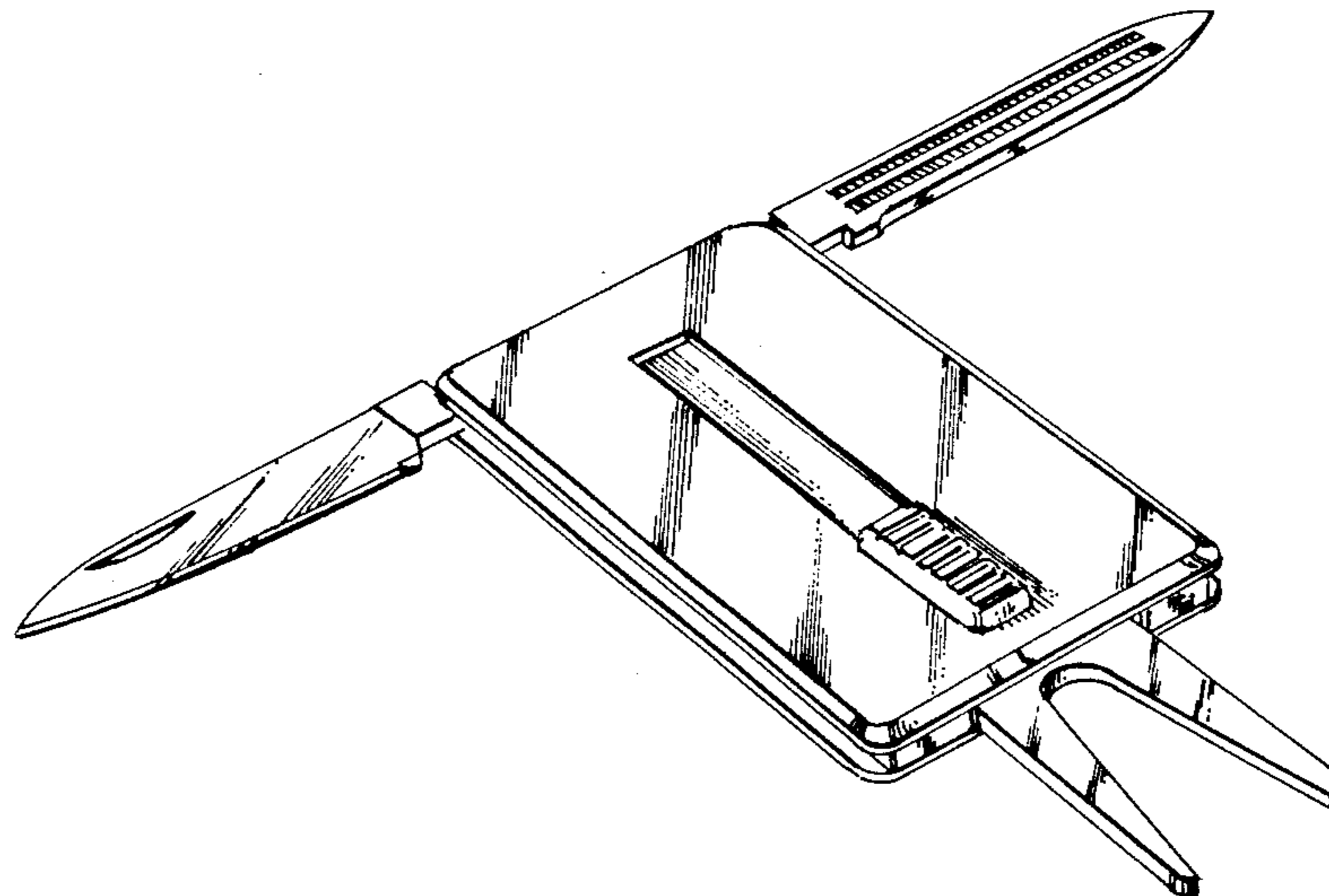
Primary Examiner—Melvin B. Feifer
Attorney, Agent, or Firm—Alan Ruderman

[57] CLAIM

The ornamental design for a golfer's tool, substantially as shown and described.

DESCRIPTION

FIG. 1 is a front perspective view illustrating the right side of a golfer's tool embodying my new design; FIG. 2 is a left side elevational view thereof; FIG. 3 is a front elevational view thereof; FIG. 4 is a right elevational view thereof; FIG. 5 is a top plan view thereof; FIG. 6 is a rear elevational view thereof; FIG. 7 is a bottom plan view thereof; and FIG. 8 is a perspective view thereof illustrating the left side thereof and with the tool implements in the extended positions.



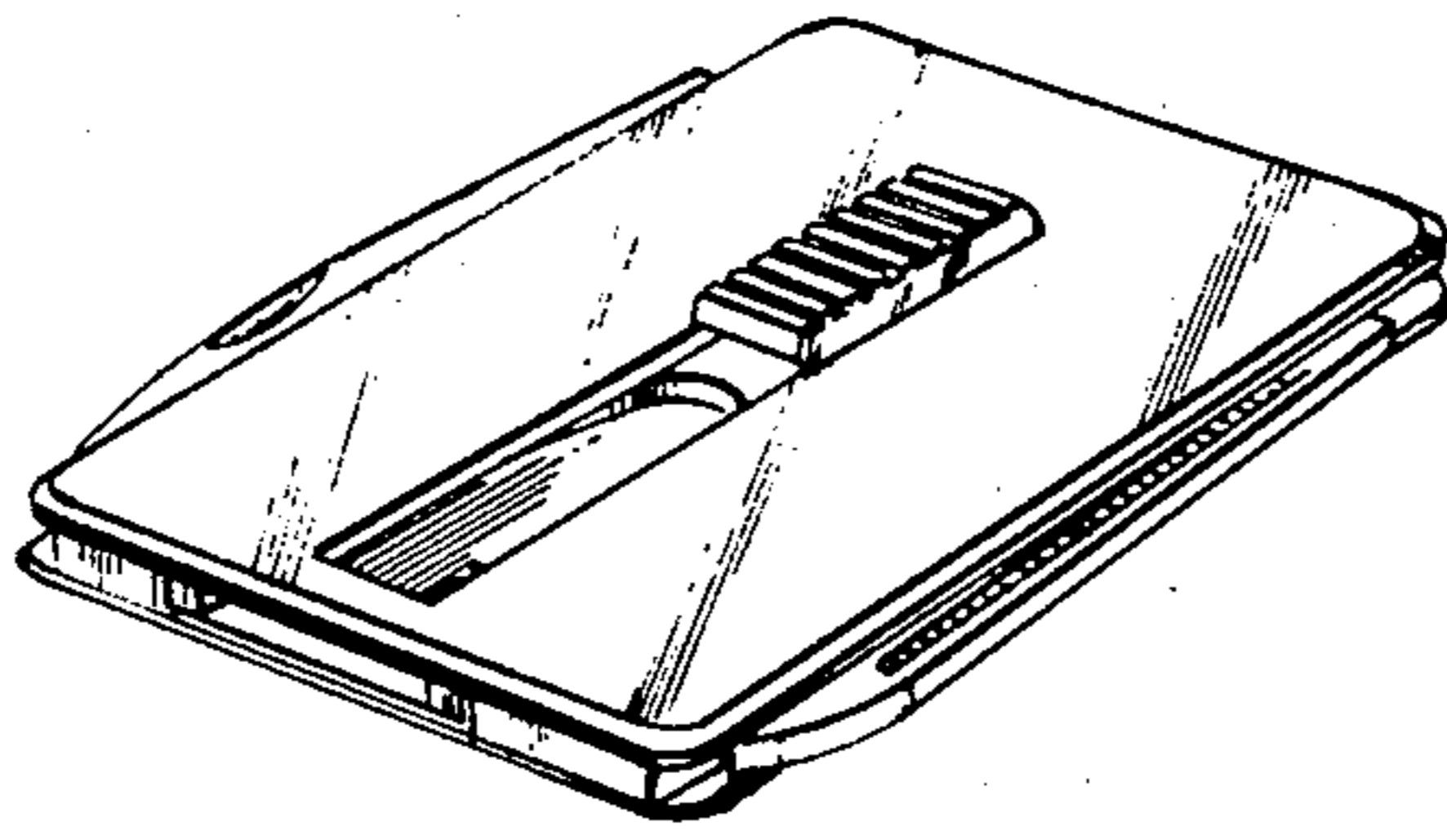


FIG. 1

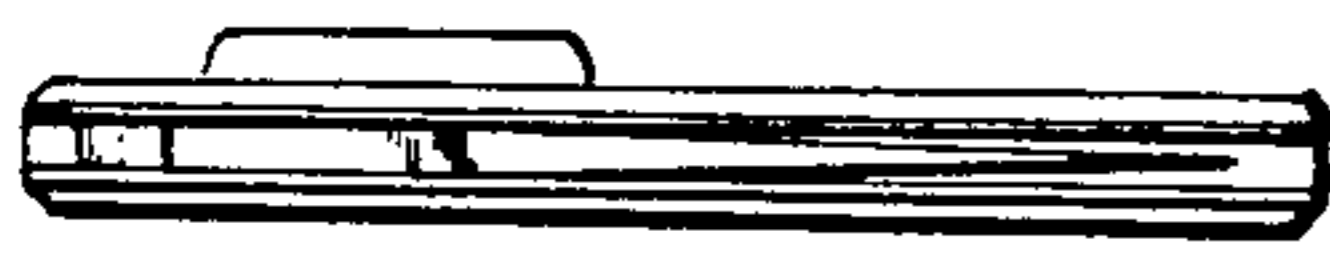


FIG. 2



FIG. 3



FIG. 4

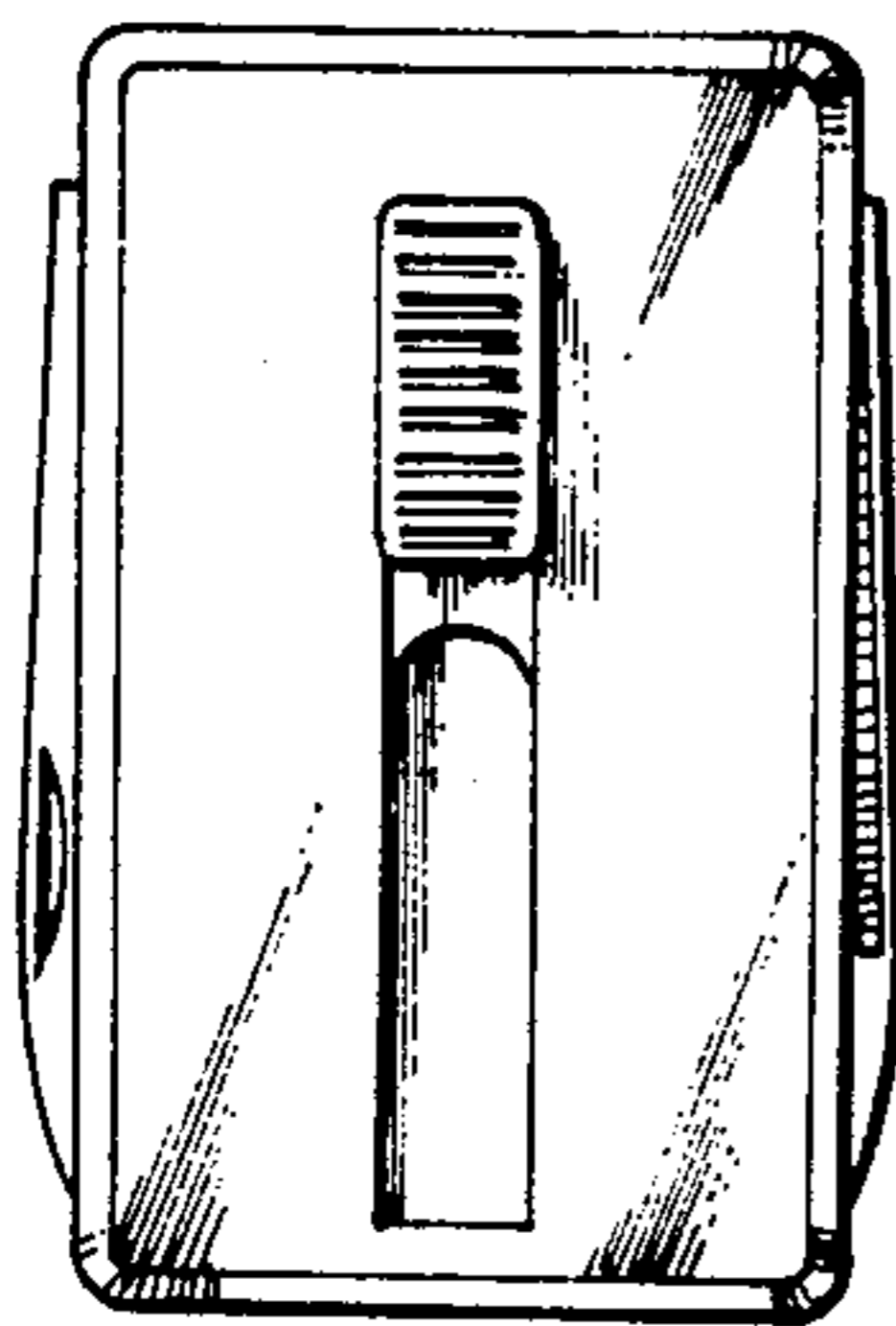


FIG. 5



FIG. 6

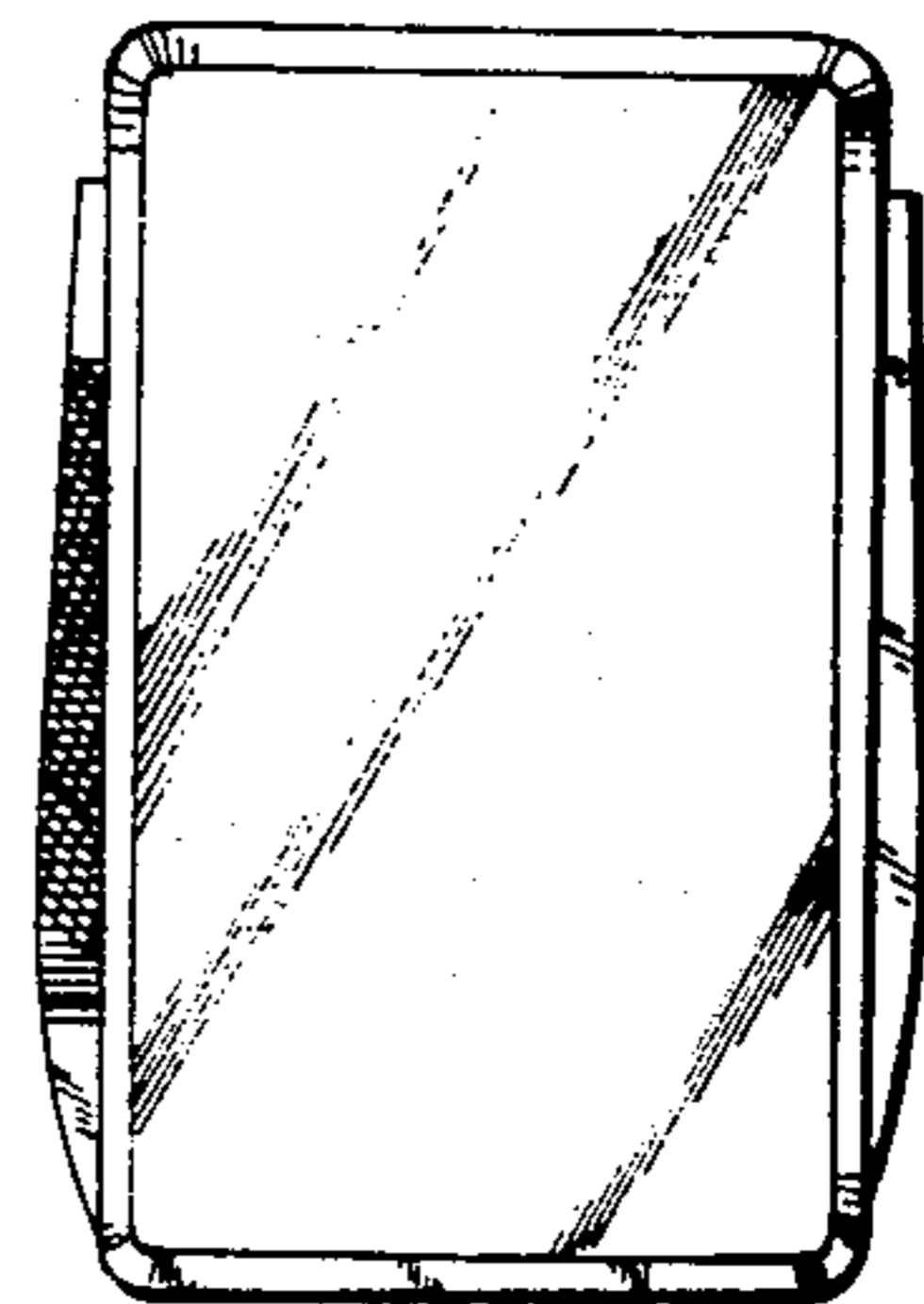


FIG. 7

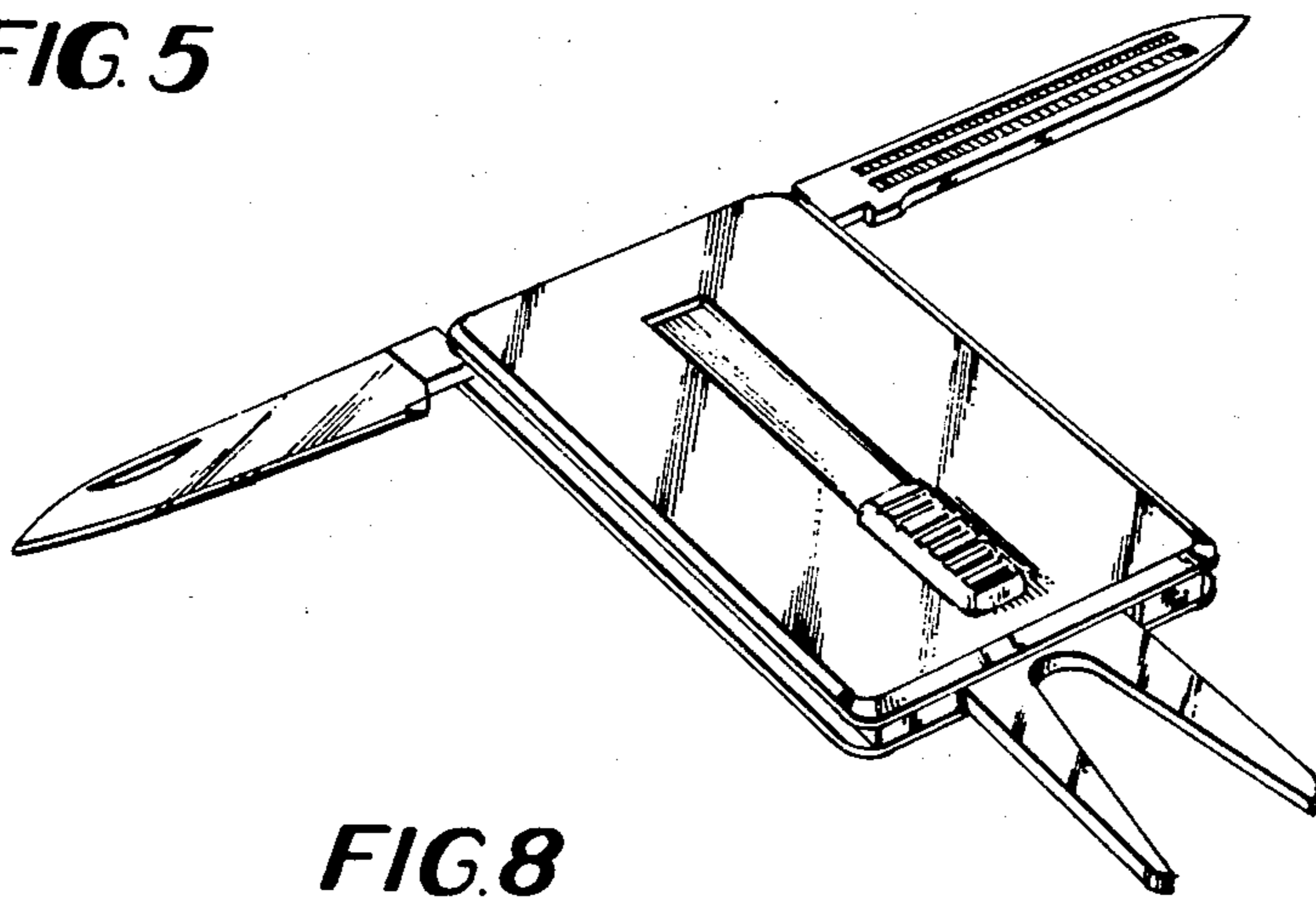


FIG. 8