

[54] TOY CONSTRUCTION PIECE SIMULATING ROOF SHINGLES

[75] Inventor: Sven C. B. Thomsen, Naestved, Denmark

[73] Assignee: Interlego A.G., Baar, Switzerland

[**] Term: 14 Years

[21] Appl. No.: 676,535

[22] Filed: Nov. 30, 1984

[52] U.S. Cl. D21/108

[58] Field of Search D21/108, 104, 166; 446/85, 88, 89, 103, 105, 107, 120, 122, 124, 125, 128

[56] References Cited

U.S. PATENT DOCUMENTS

D. 241,261 8/1976 Pibet D21/108
4,193,221 3/1980 Beck 446/105

OTHER PUBLICATIONS

"Toys to Grow On" Catalog, Holiday, 1982, p. 11 #939, Toy Shingled Roof.

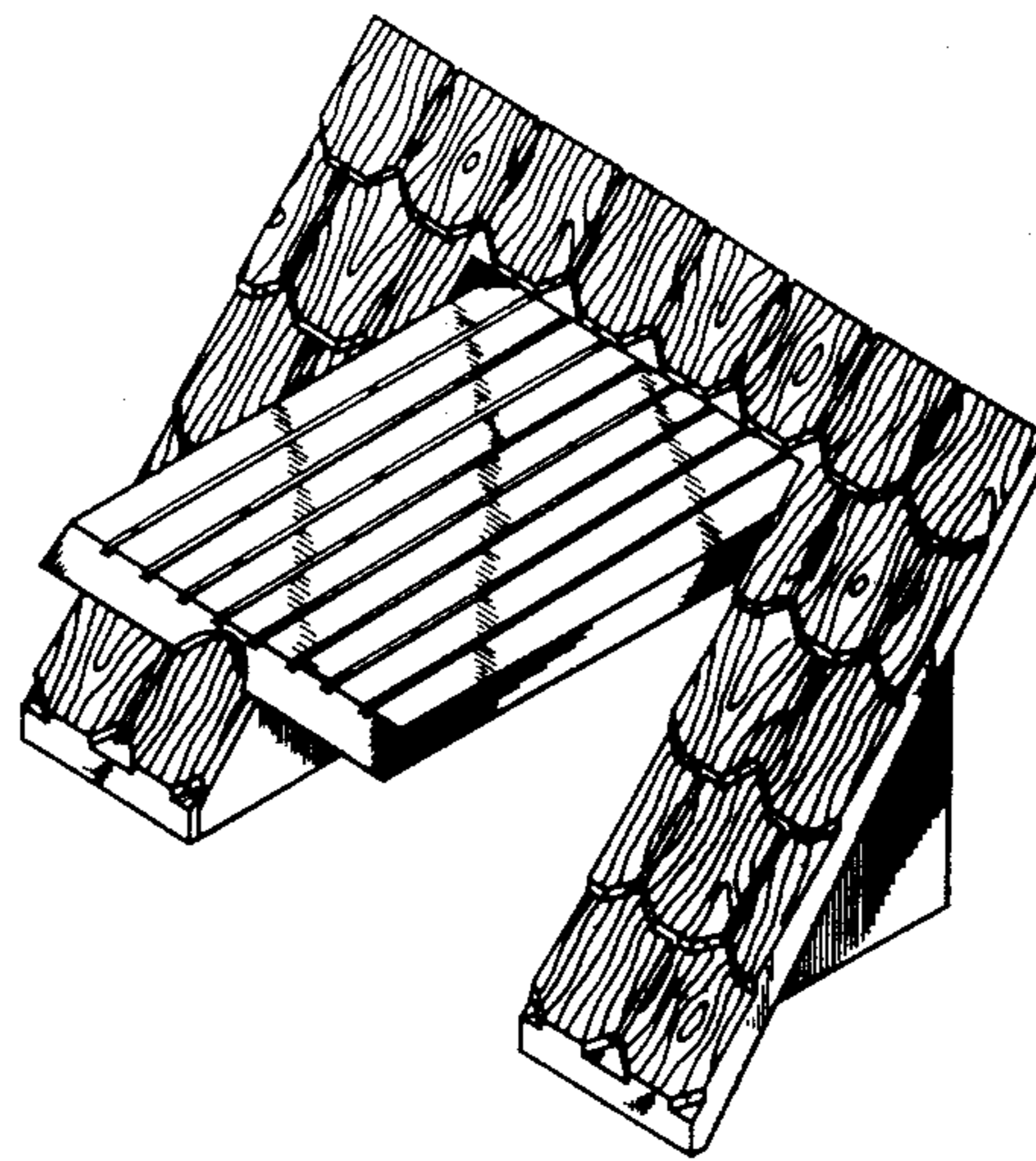
Primary Examiner—Charles A. Rademaker
Attorney, Agent, or Firm—Kane, Dalsimer, Kane, Sullivan and Kurucz

[57] CLAIM

The ornamental design for a toy construction piece simulating roof shingles, as shown and described.

DESCRIPTION

FIG. 1 is a top perspective view of a toy construction piece simulating roof shingles showing my new design; FIG. 2 is a side elevational view thereof; FIG. 3 is a front elevational view thereof; FIG. 4 is a rear elevational view thereof; FIG. 5 is a top plan view thereof; FIG. 6 is a bottom plan view thereof.



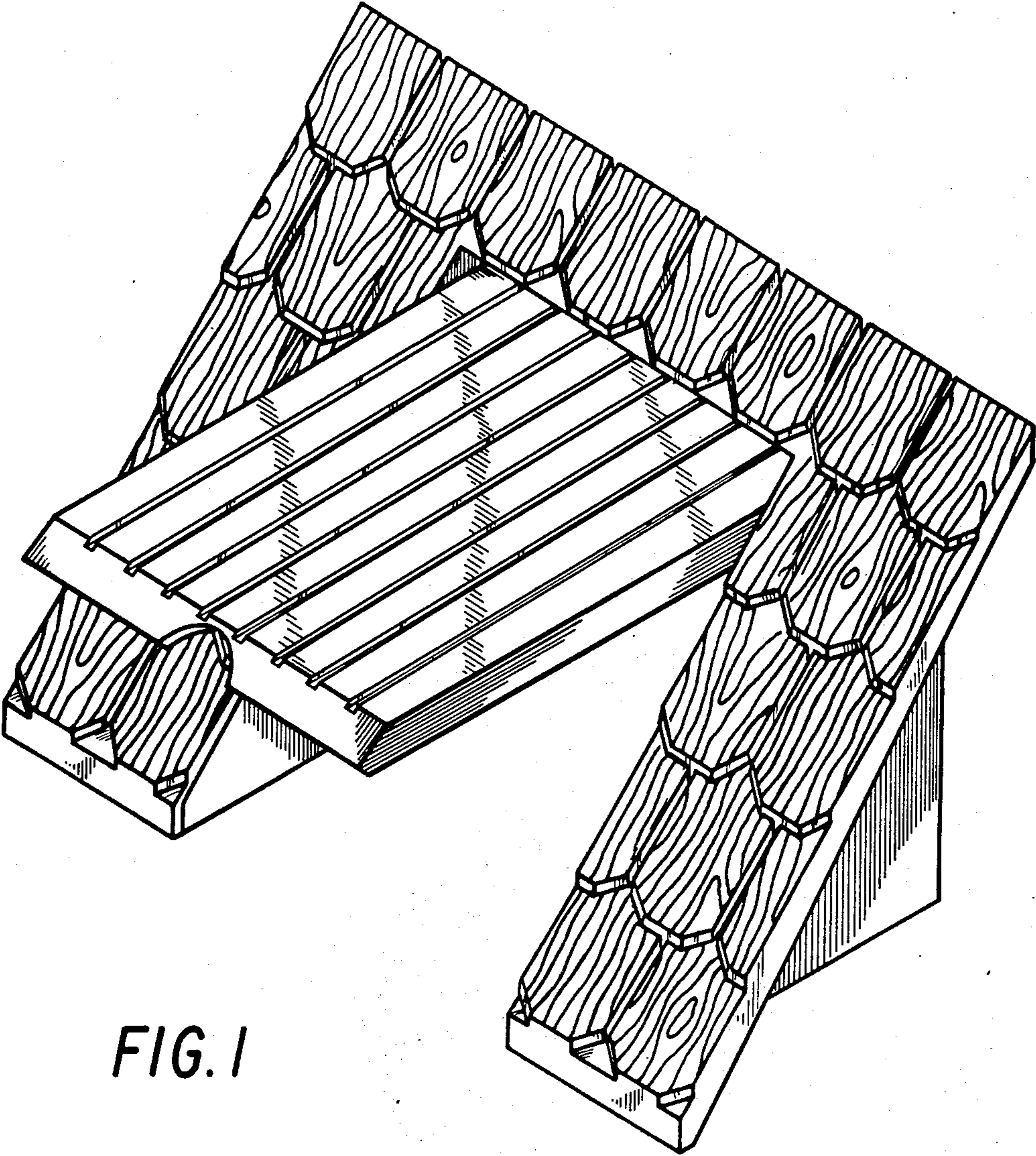


FIG. 1

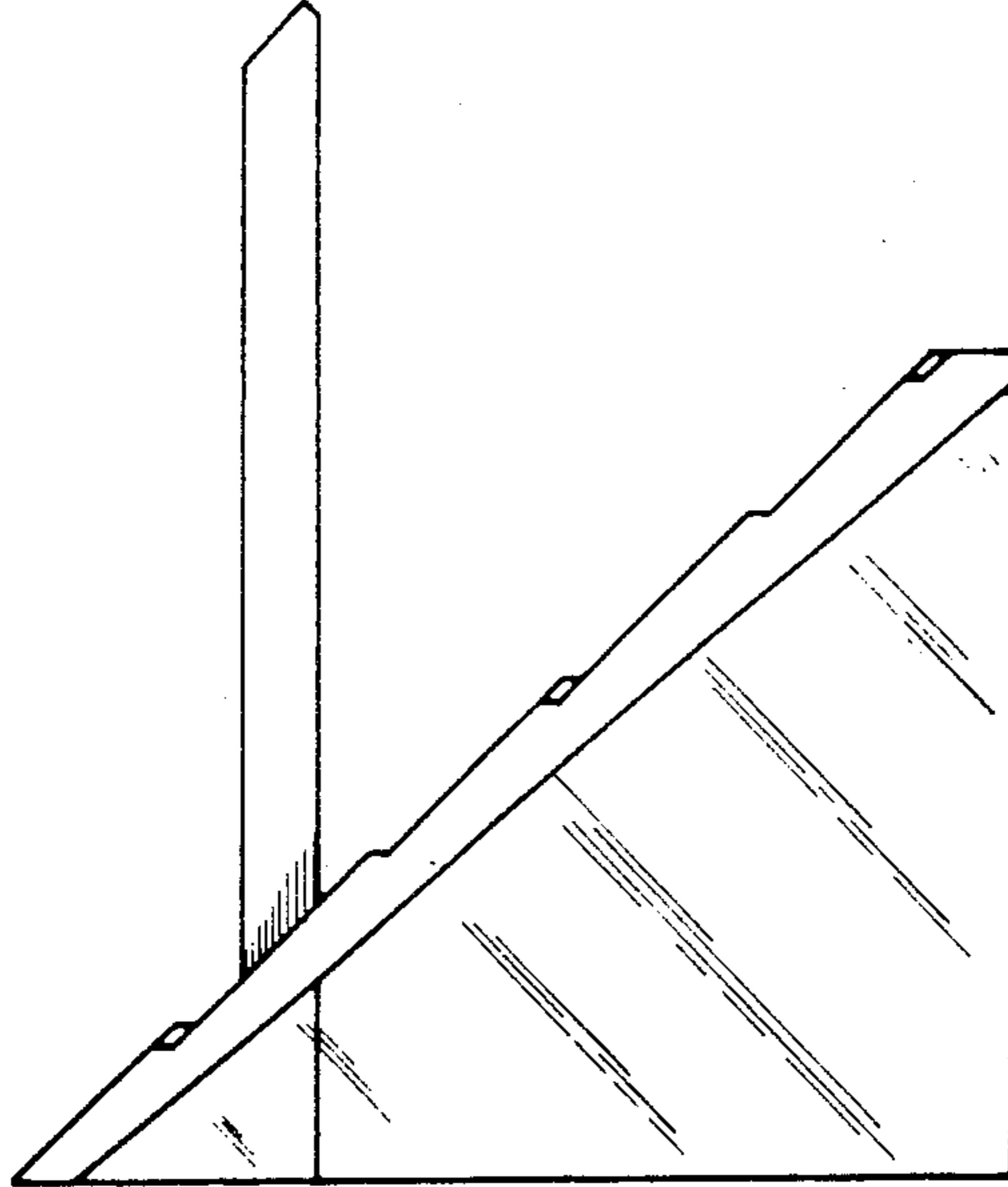


FIG. 2

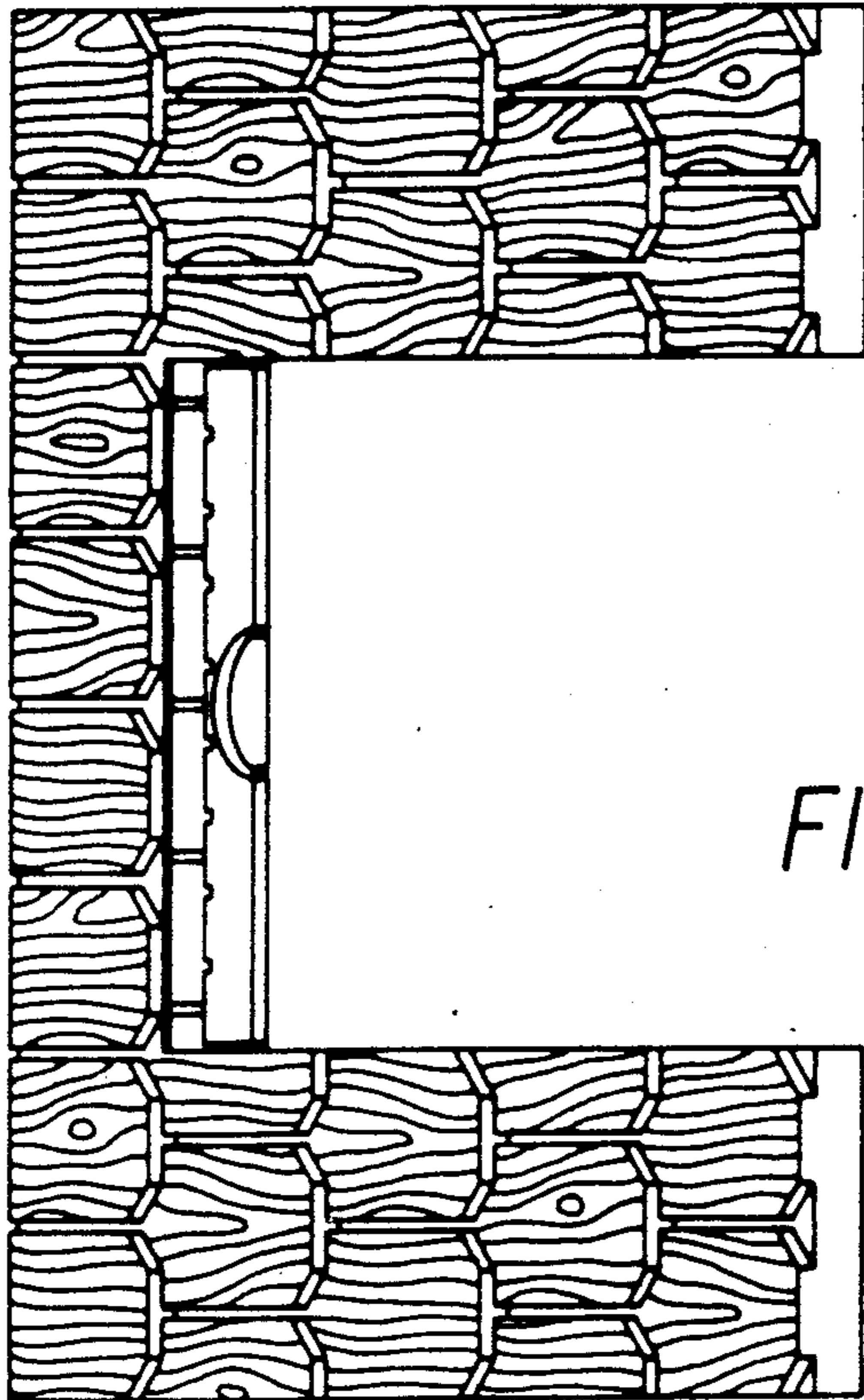


FIG. 3

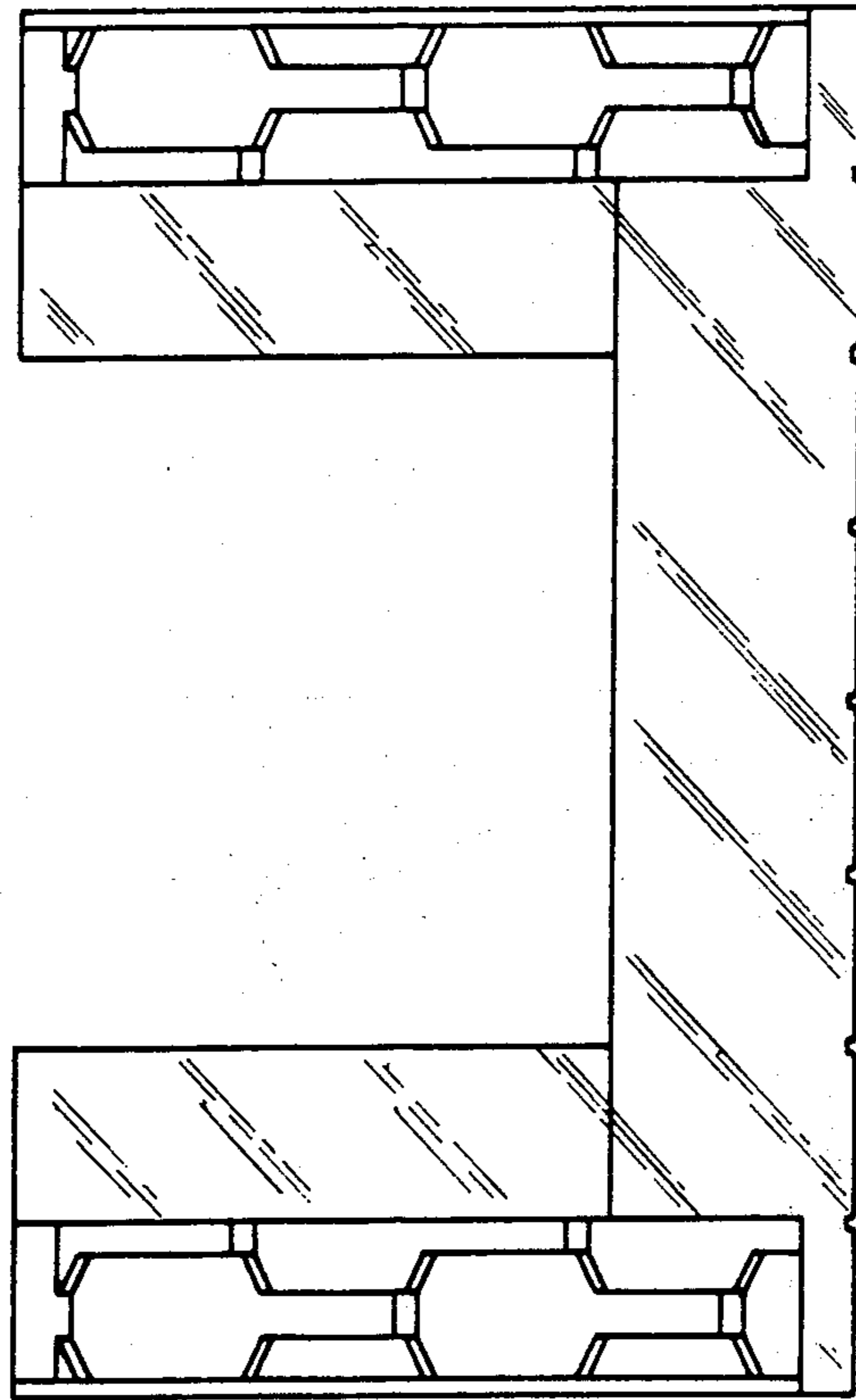


FIG. 4

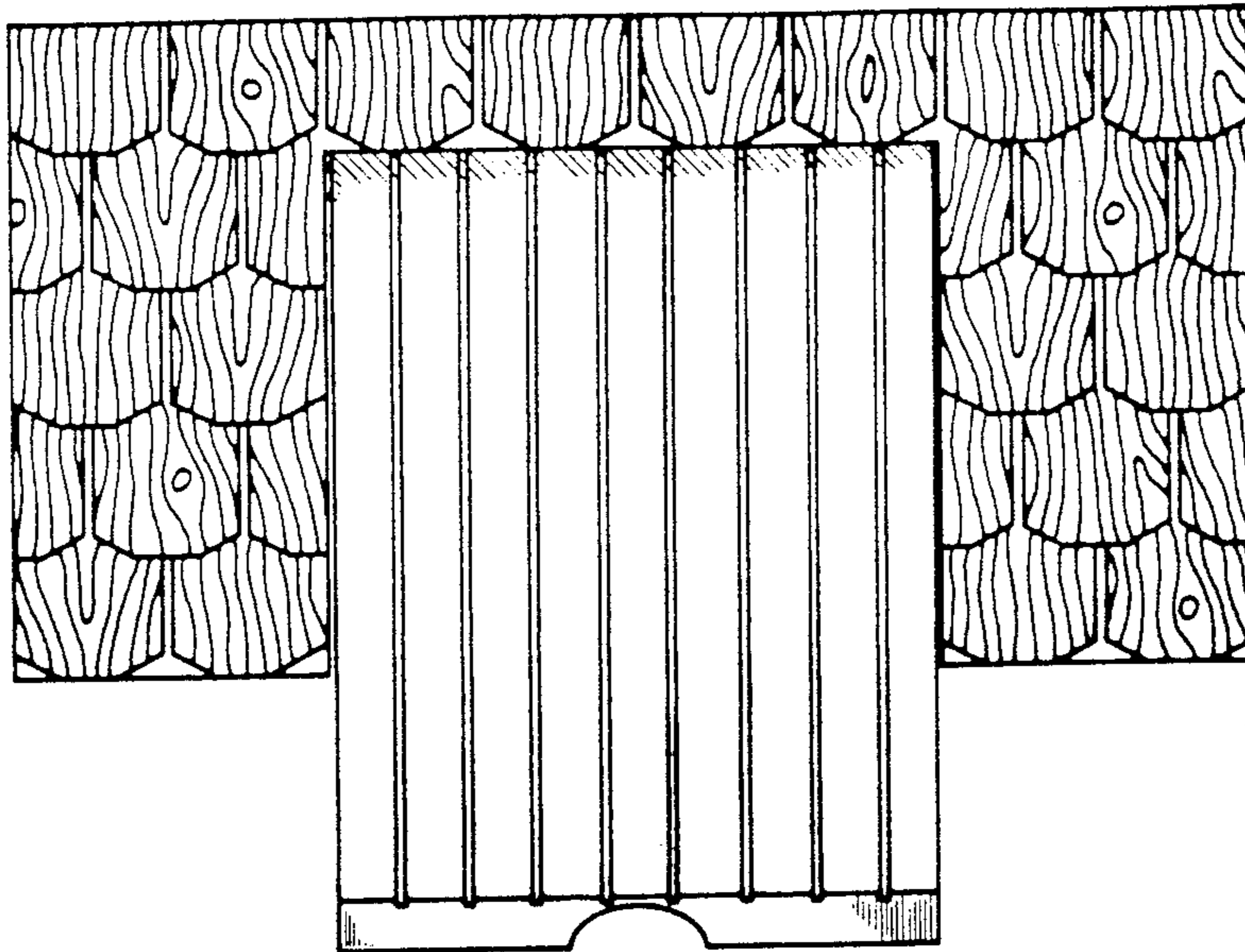


FIG. 5

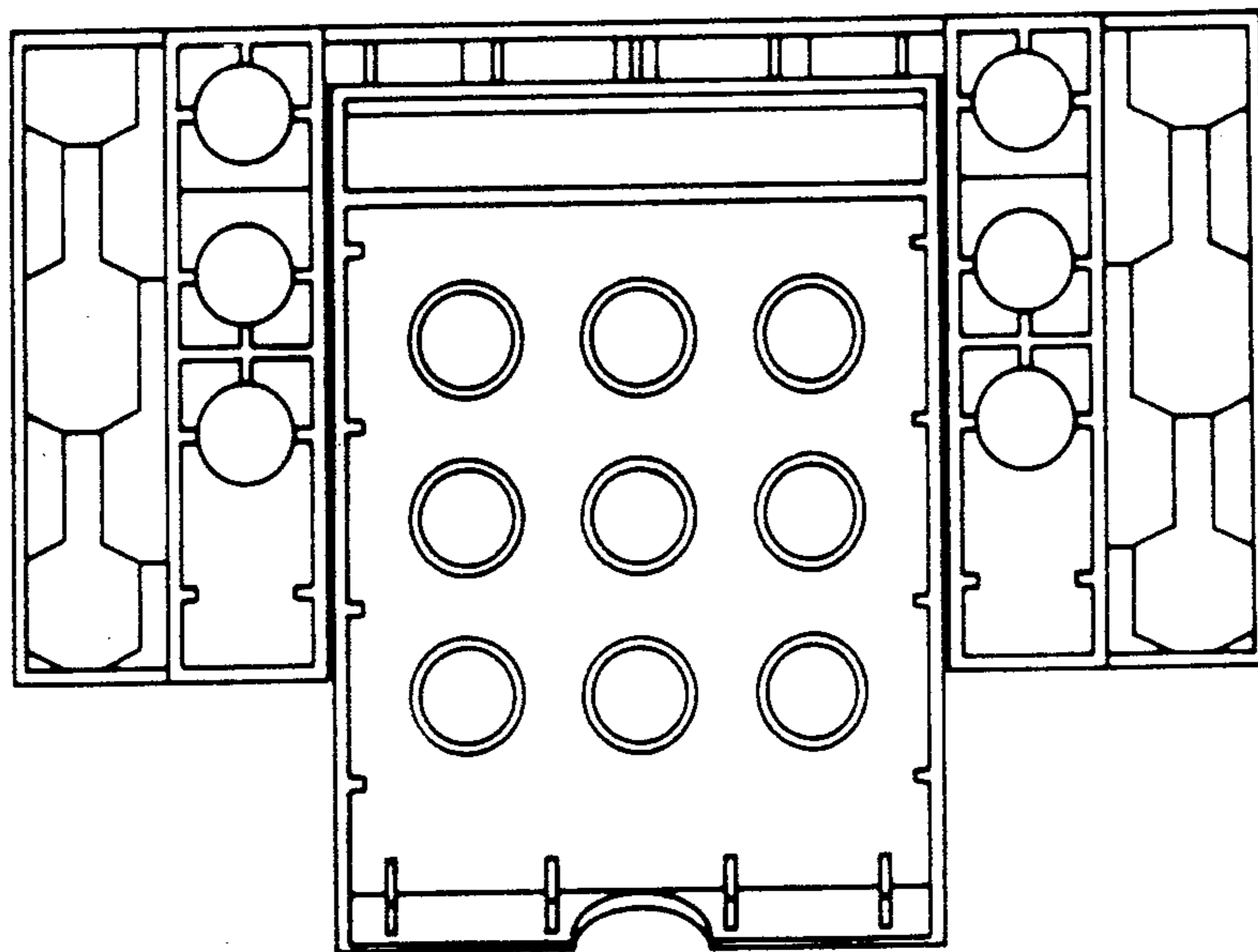


FIG. 6