

[54] SET OF STACKED TRAYS

[75] Inventor: Steve I. Mayo, New York, N.Y.

[73] Assignee: Artistic Desk Pad & Novelty Co., Inc., Bronx, N.Y.

[**] Term: 14 Years

[21] Appl. No.: 536,124

[22] Filed: Sep. 26, 1983

[52] U.S. Cl. D19/92; D19/75; D19/86

[58] Field of Search D19/92; 206/821; 211/126, 194, 188; 229/45 R

[56] References Cited

U.S. PATENT DOCUMENTS

D. 212,264	9/1968	Rome et al.	D19/92
D. 220,014	2/1971	Rome et al.	D19/92
D. 220,702	5/1971	Sweet, Jr.	D19/92 X
D. 230,646	3/1974	Unger	D19/92
D. 253,627	12/1979	Adamson	D19/92 X
D. 275,771	10/1984	Evans	D19/92

4,074,810	2/1978	Juergens et al.	D19/92 X
4,138,015	2/1979	Rabley	206/821 X
4,266,714	5/1981	Crane	206/821 X
4,534,475	8/1985	Mayo	D19/92 X

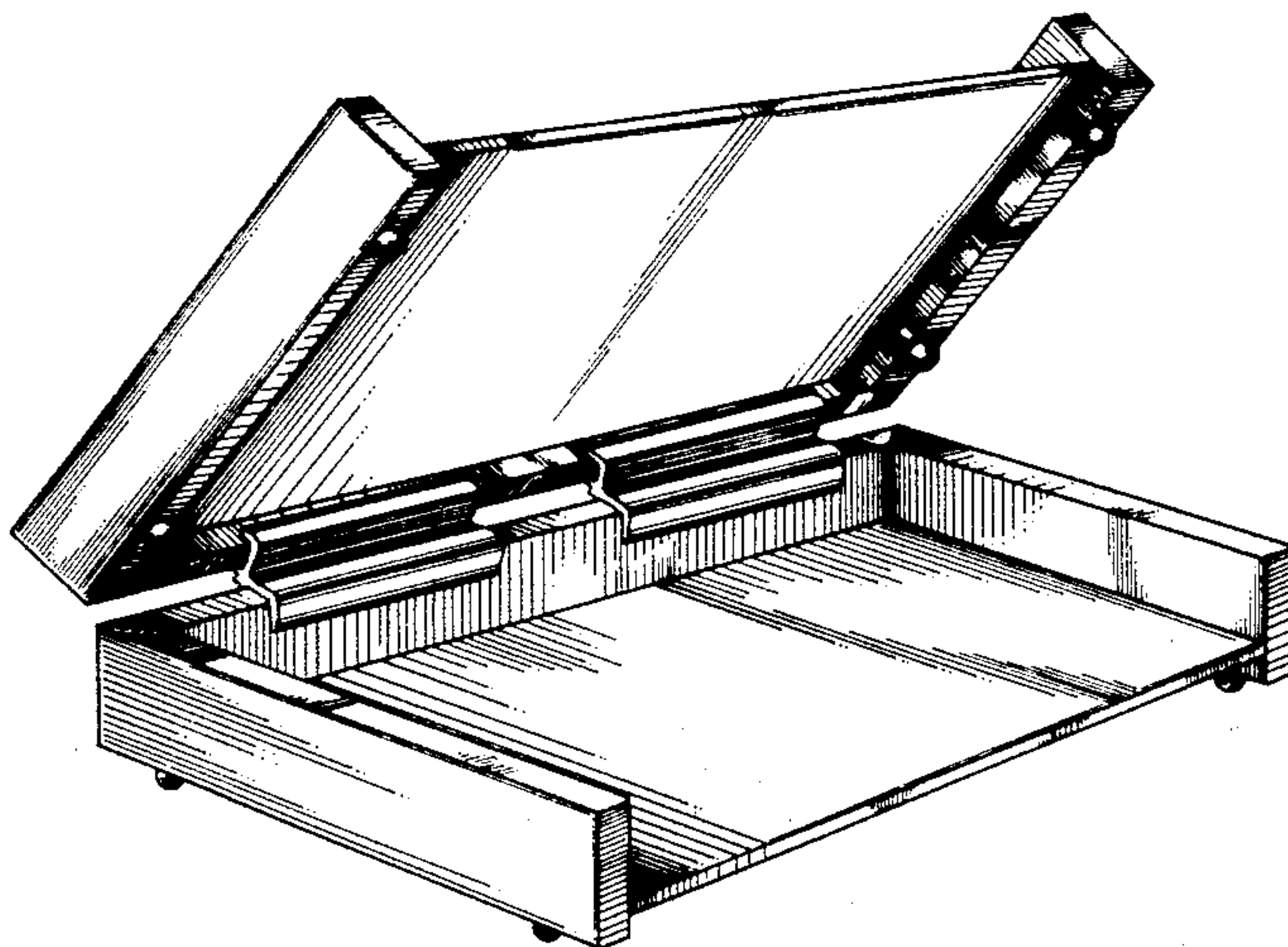
Primary Examiner—Bernard Ansher
Assistant Examiner—Linda Titolo
Attorney, Agent, or Firm—Sprung, Horn, Kramer & Woods

[57] CLAIM

The ornamental design for a set of stacked trays, as shown and described.

DESCRIPTION

FIG. 1 is a top rear left side exploded perspective view of a set of stacked trays, showing my new design; FIG. 2 is a top front left side perspective view thereof, with the top tray shown in an alternate position; FIG. 3 is a front elevational view thereof with the top tray in a closed position; FIG. 4 is a right side elevational view thereof; FIG. 5 is a rear elevational view thereof; and FIG. 6 is a bottom plan view thereof.



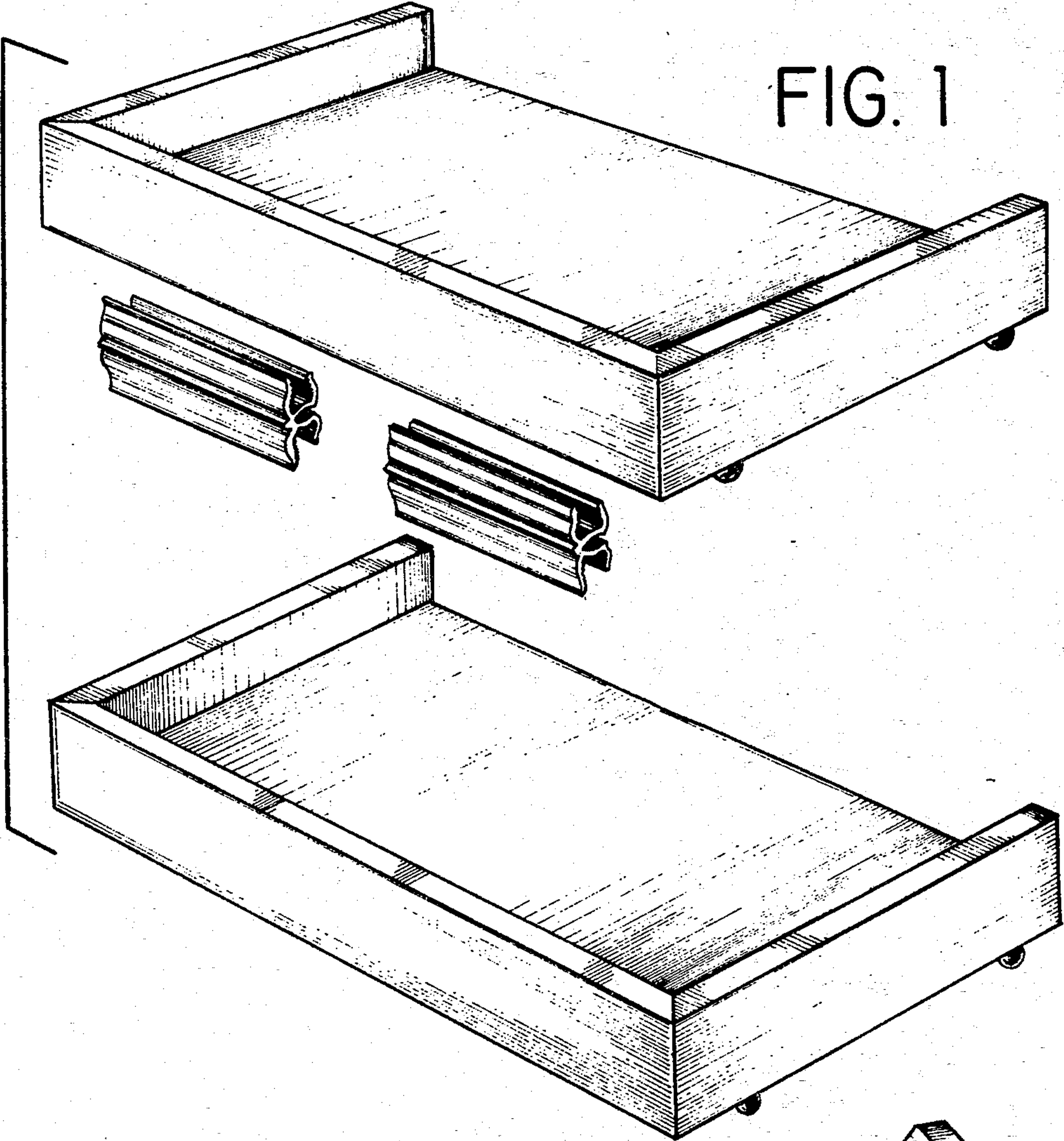
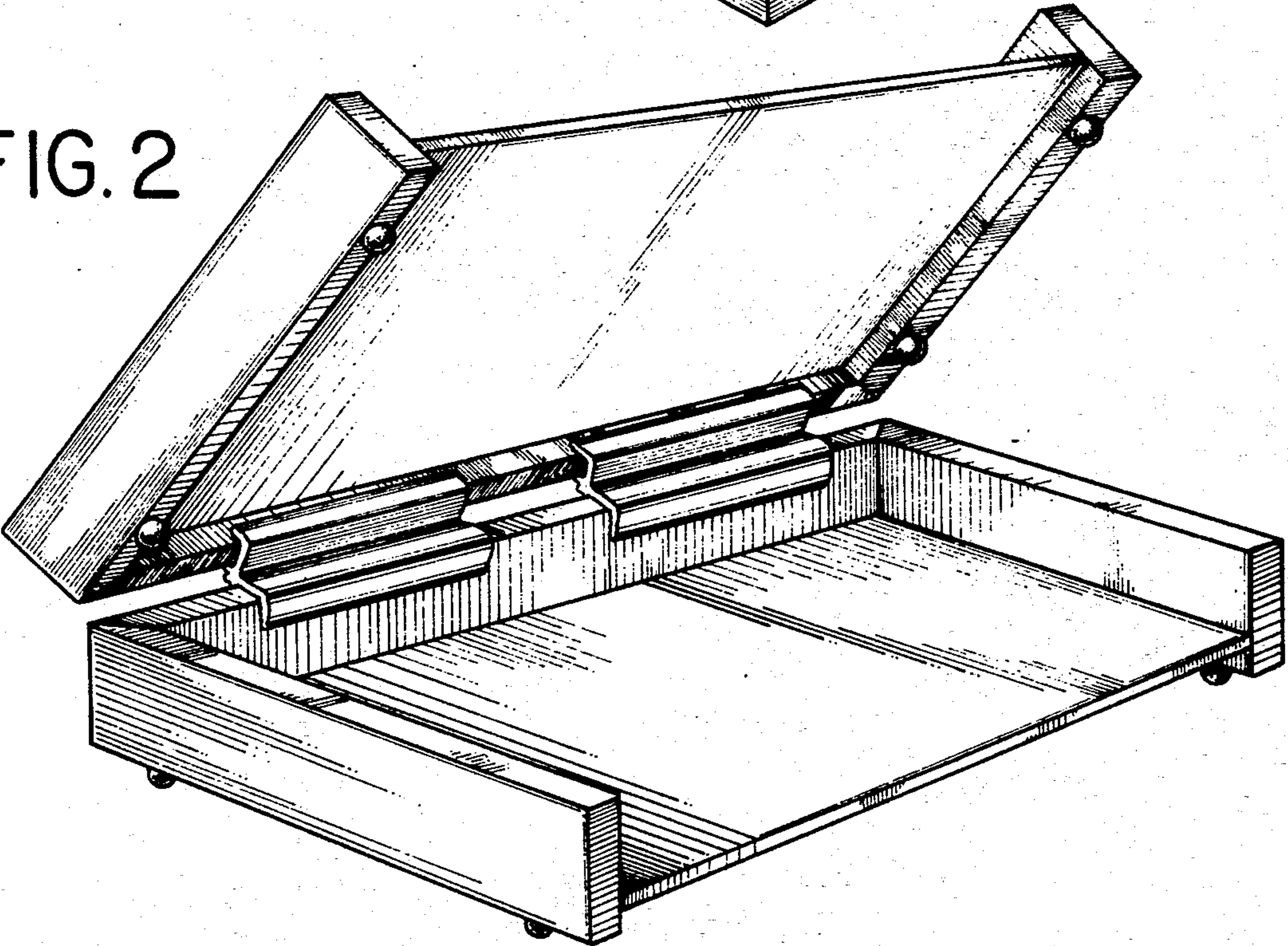


FIG. 2



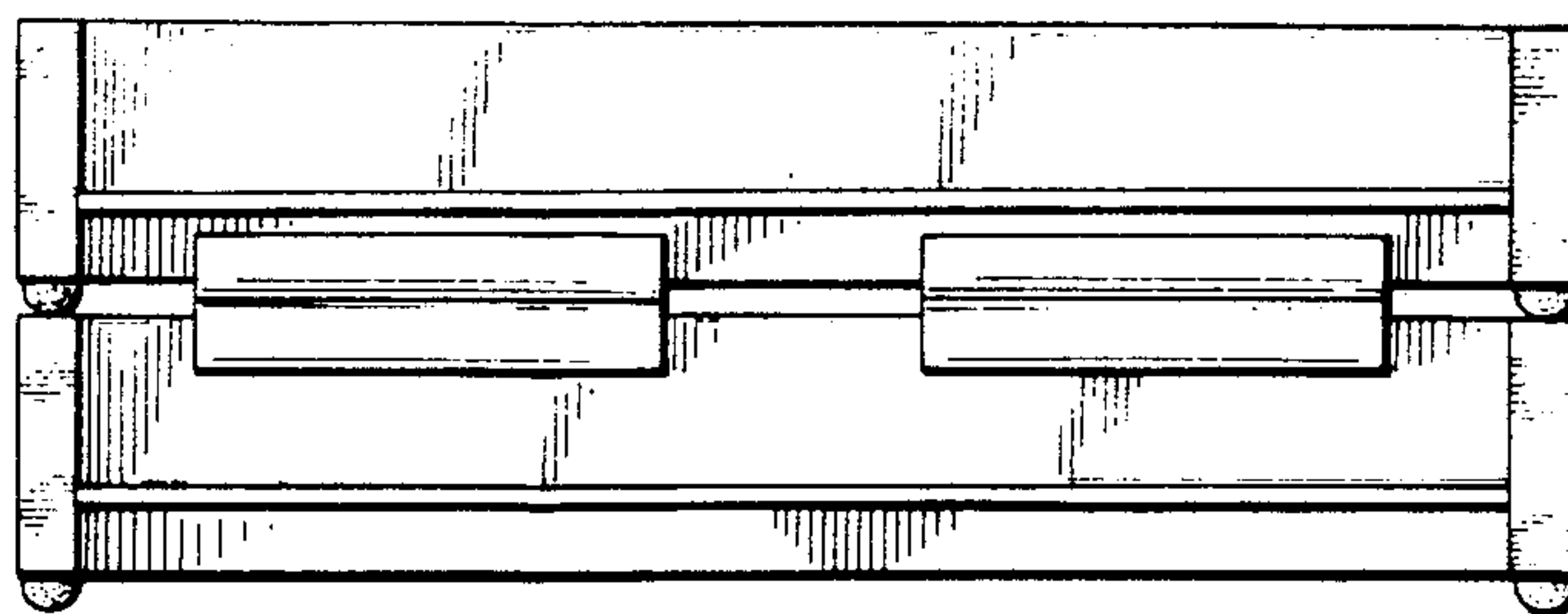


FIG. 3

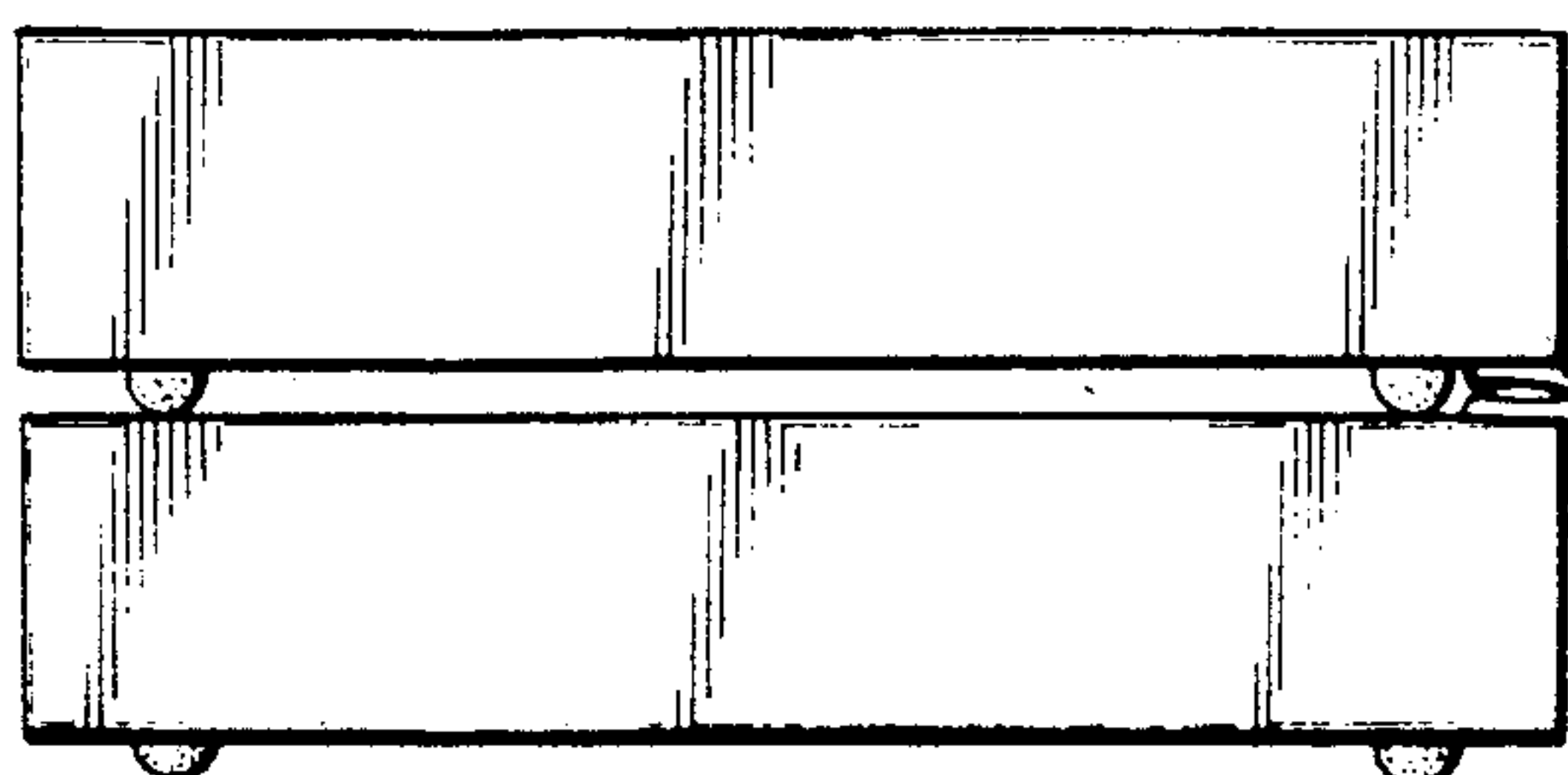


FIG. 4

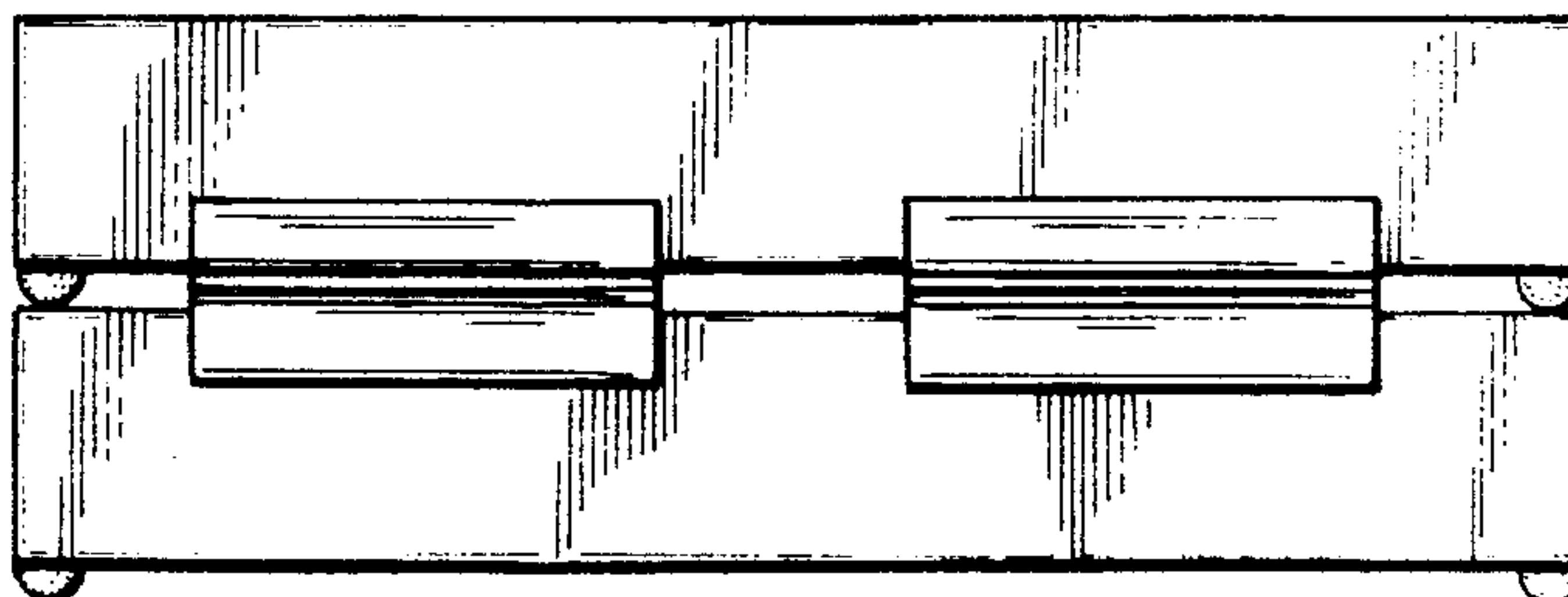


FIG. 5

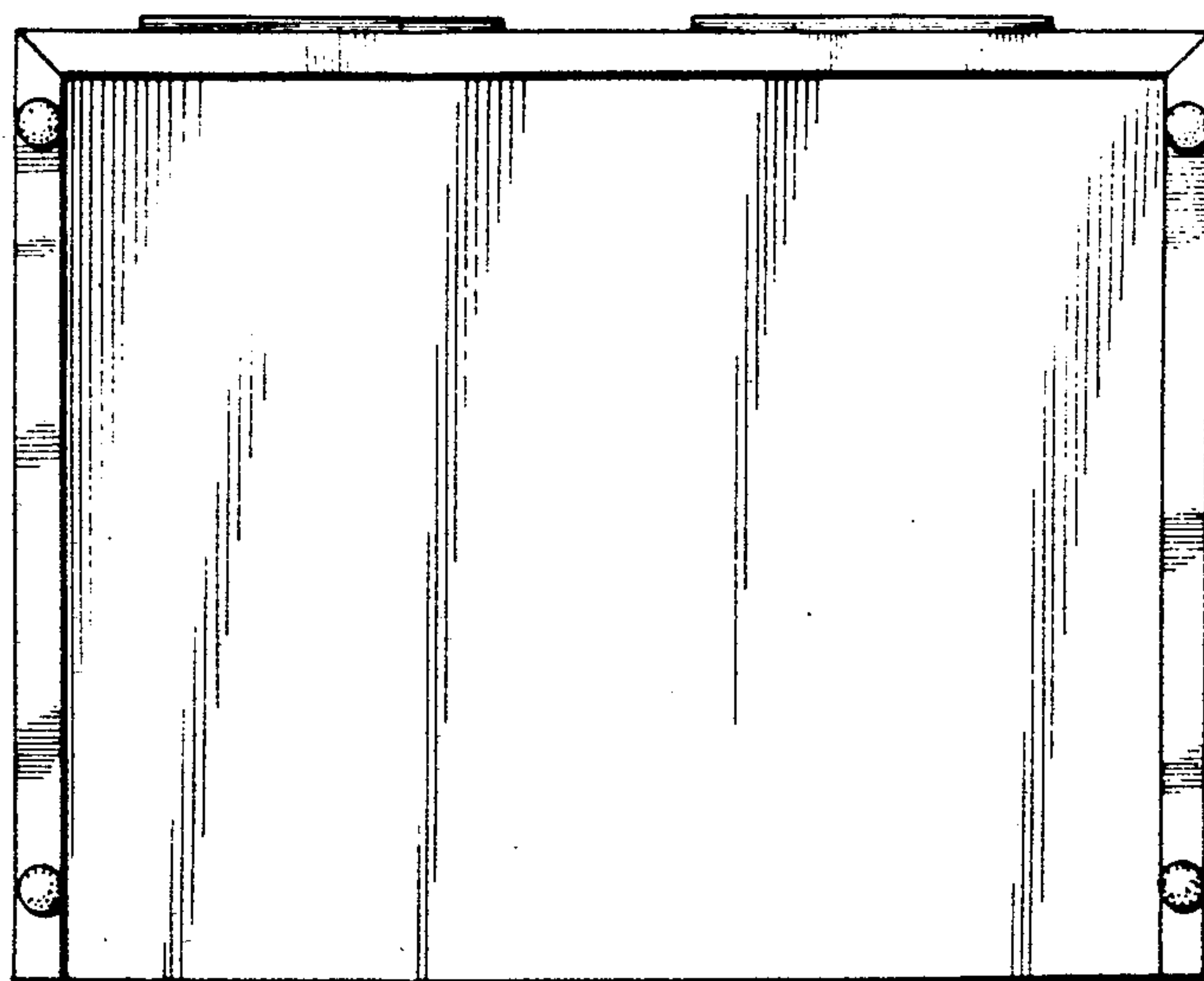


FIG. 6