

United States Patent [19]

Smernoff

[11] Patent Number: **Des. 285,217**

[45] Date of Patent: **** Aug. 19, 1986**

- [54] **SUSPENDABLE BAG**
- [75] Inventor: **Ronald B. Smernoff**, Belmont, Calif.
- [73] Assignee: **Analytical Products, Inc.**, Belmont, Calif.
- [**] Term: **14 Years**
- [21] Appl. No.: **519,376**
- [22] Filed: **Aug. 1, 1983**
- [52] U.S. Cl. **D19/90; D9/305**
- [58] Field of Search **D9/305, 434, 437, 443; D19/90, 91; 312/11, 12, 13, 14, 184, 187; 211/46; 248/101; D24/58**

4,079,533	3/1978	Rohner	D19/90 X
4,171,854	10/1979	Hedstrom et al.	312/184
4,193,218	3/1980	Mermelstein	312/184 X
4,232,918	11/1980	Leber	312/184

FOREIGN PATENT DOCUMENTS

894884 4/1962 United Kingdom .

Primary Examiner—Robert C. Spangler
Attorney, Agent, or Firm—Fliesler, Dubb, Meyer & Lovejoy

[57] CLAIM

The ornamental design for a suspendable bag, as shown and described.

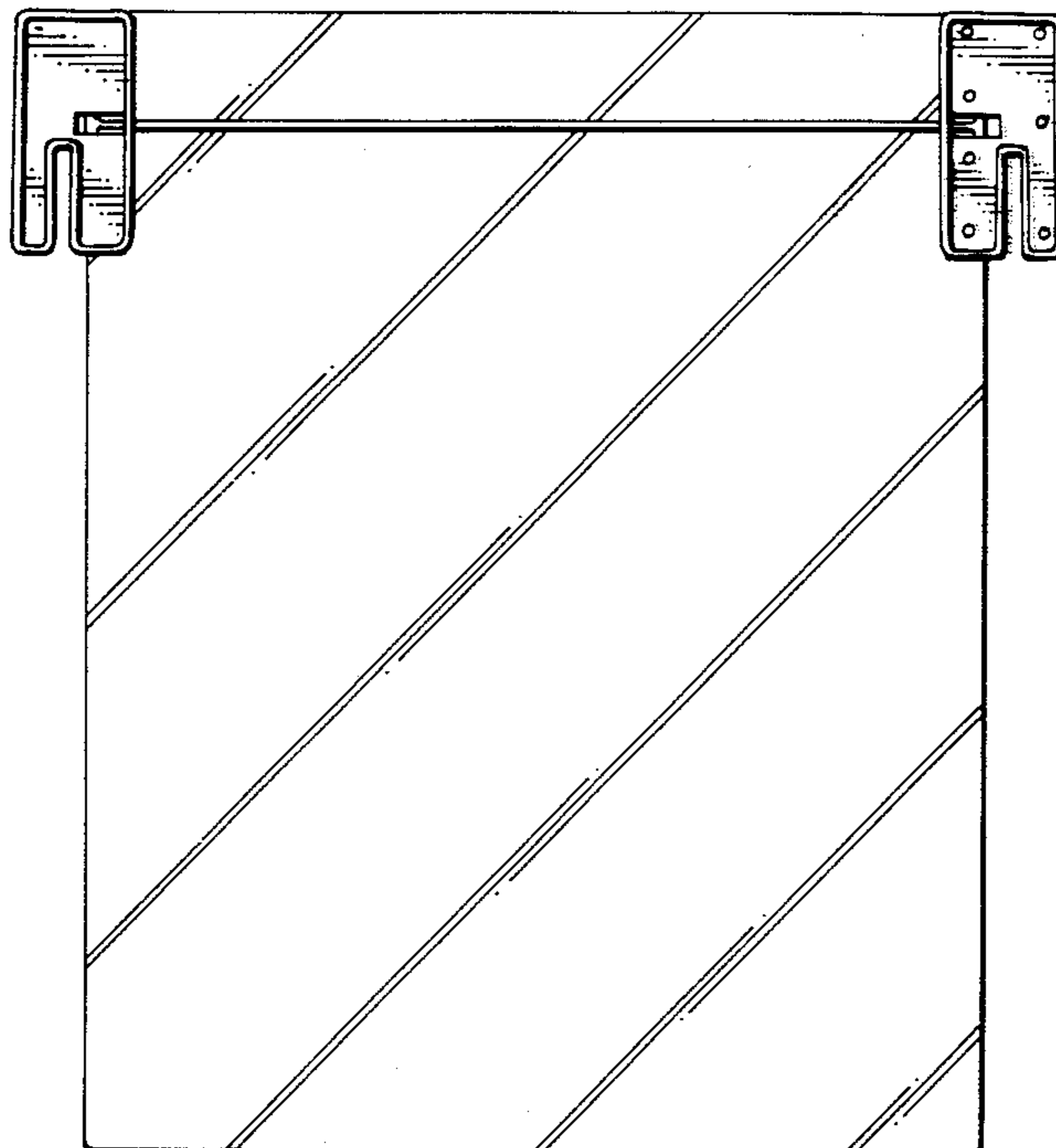
DESCRIPTION

FIG. 1 is a perspective view of a suspendable bag showing my new design;
 FIG. 2 is a front elevational view;
 FIG. 3 is a view looking from the right of FIG. 2, the opposite side being the same in appearance;
 FIG. 4 is a top plan view;
 FIG. 5 is a rear elevational view; and
 FIG. 6 is a bottom plan view.

[56] References Cited

U.S. PATENT DOCUMENTS

D. 213,479	3/1969	Williams	D9/305
2,165,157	7/1939	Smith	312/184
2,920,670	1/1960	Mohlmann	383/14 X
3,114,497	12/1963	Kugler	D9/305 X
3,459,362	8/1969	Giachi	D9/305 X
3,730,738	5/1973	Cook et al.	312/184
3,863,828	2/1975	King	312/184 X



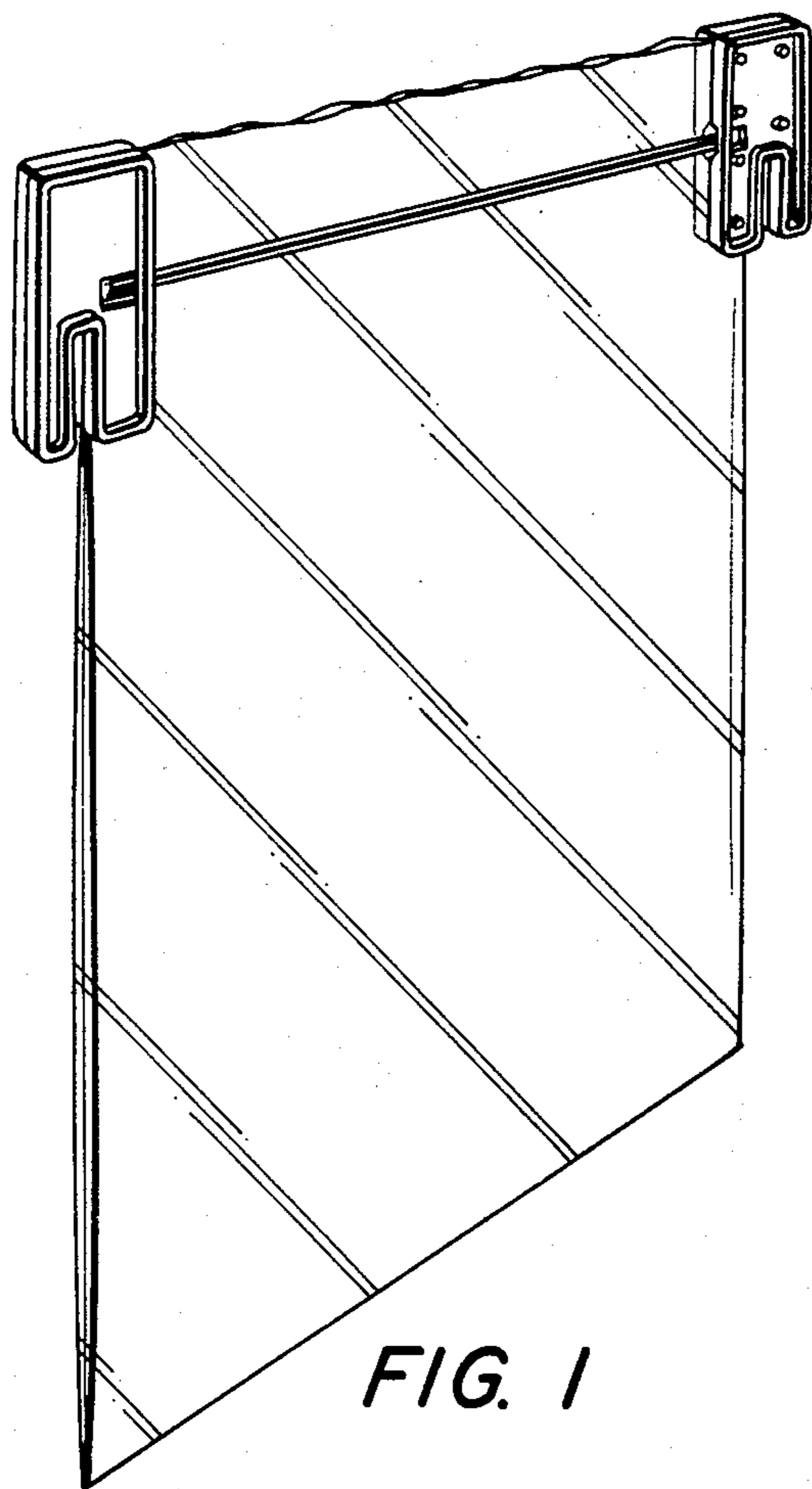


FIG. 1

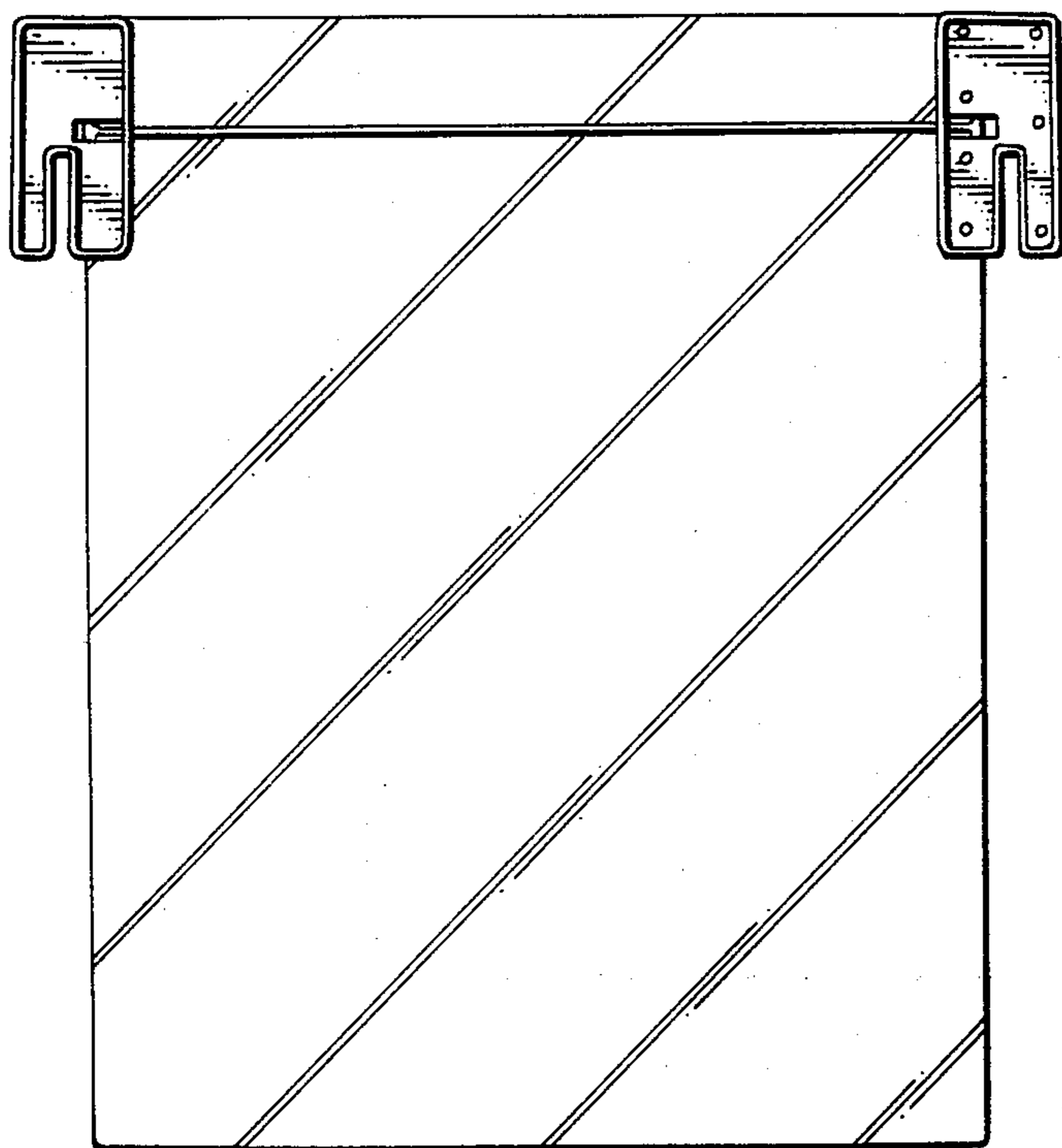


FIG. 2



FIG. 3



FIG. 4

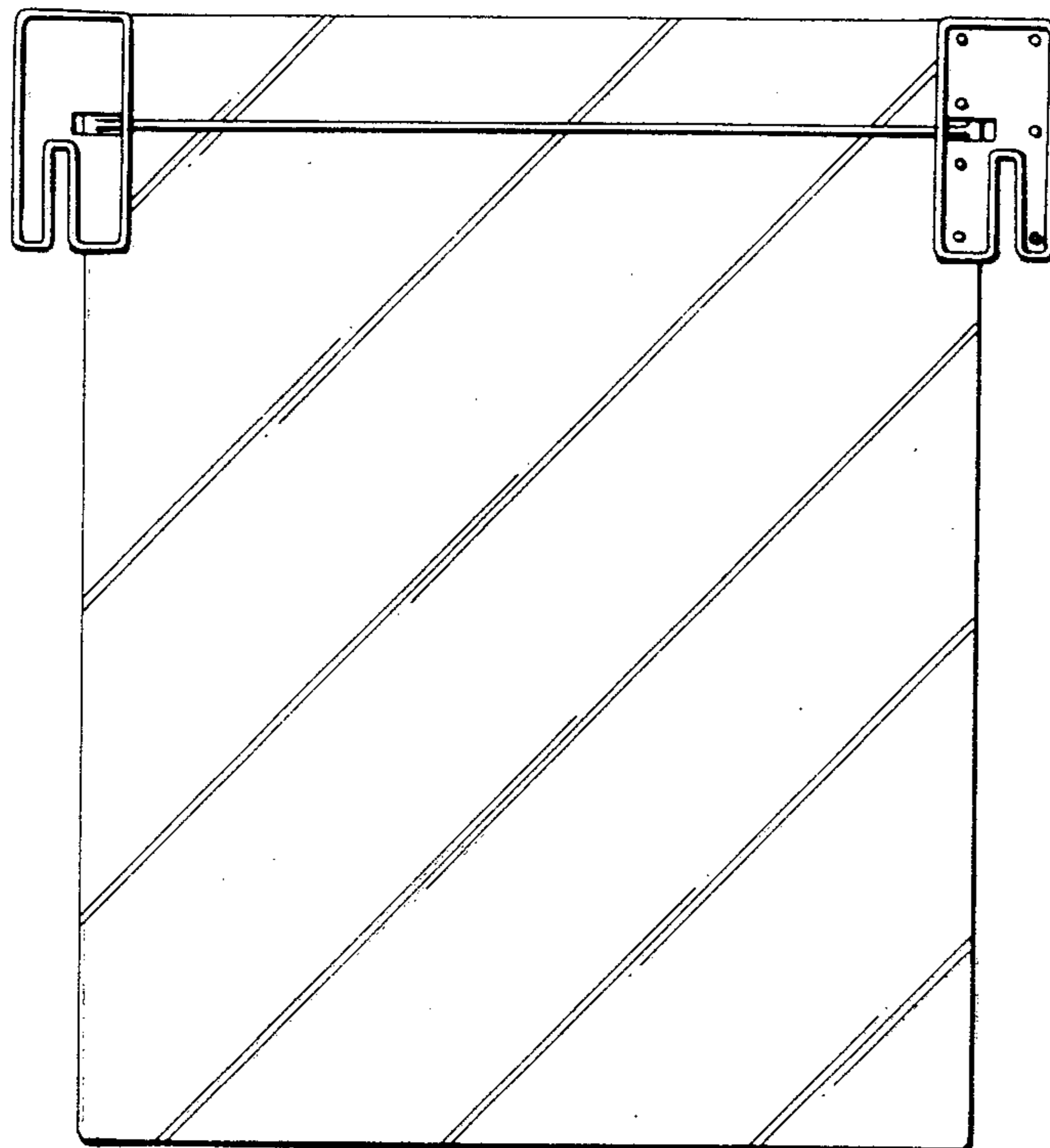


FIG. 5

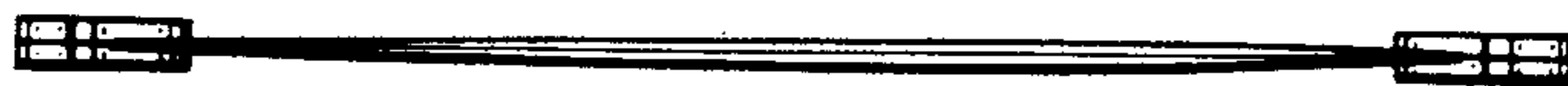


FIG. 6