

United States Patent [19]

Roskvist

[11] Patent Number: **Des. 285,215**

[45] Date of Patent: **** Aug. 19, 1986**

[54] **COMBINED CARD TRAY AND COVER**

[75] Inventor: **Carl-Eric Roskvist, Bjärred, Sweden**

[73] Assignee: **ABA System AG, Ermatingen, Switzerland**

[**] Term: **14 Years**

[21] Appl. No.: **708,703**

[22] Filed: **Mar. 6, 1985**

[30] **Foreign Application Priority Data**

Sep. 21, 1984 [DE] Fed. Rep. of Germany 842509

[52] U.S. Cl. **D19/76; D3/35; D3/78**

[58] Field of Search **D3/35, 78; D19/75, 76; D6/407; 206/387, 444, 425; 312/8-10, 12, 13; 40/371**

[56] **References Cited**

U.S. PATENT DOCUMENTS

D. 243,526 3/1977 Overman D19/76
D. 268,379 3/1983 Dishell D3/35

4,015,350 4/1977 Zurwelle D19/76
4,091,918 5/1978 Sowlakis et al. 206/425
4,544,213 10/1985 Long et al. D19/76

OTHER PUBLICATIONS

Uarco Computer Supply Cat. 1983, p. 10, top left, p. 7, bottom right.

Primary Examiner—George P. Word
Attorney, Agent, or Firm—Bucknam and Archer

[57] **CLAIM**

The ornamental design for a combined card tray and cover, as shown and described.

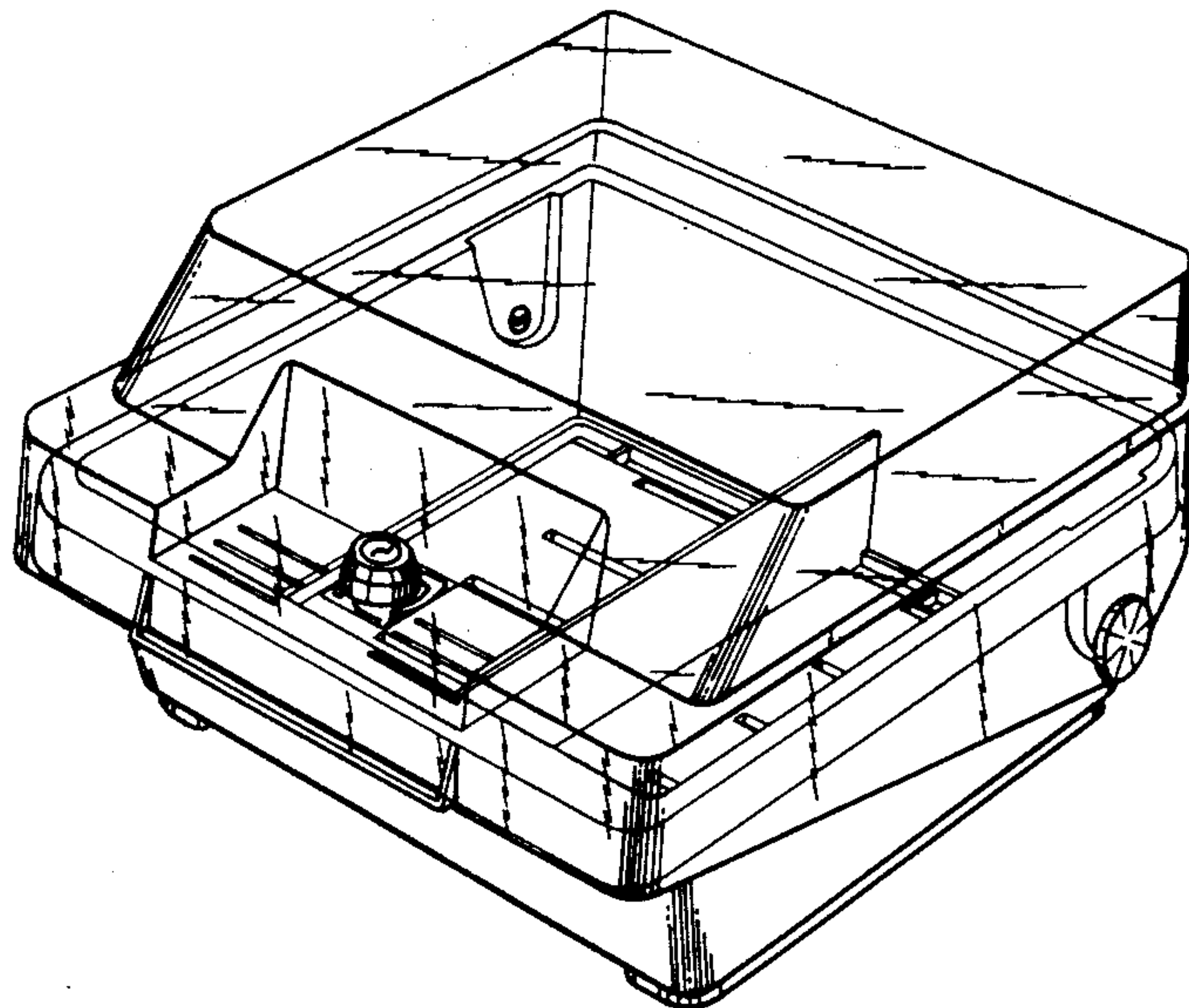
DESCRIPTION

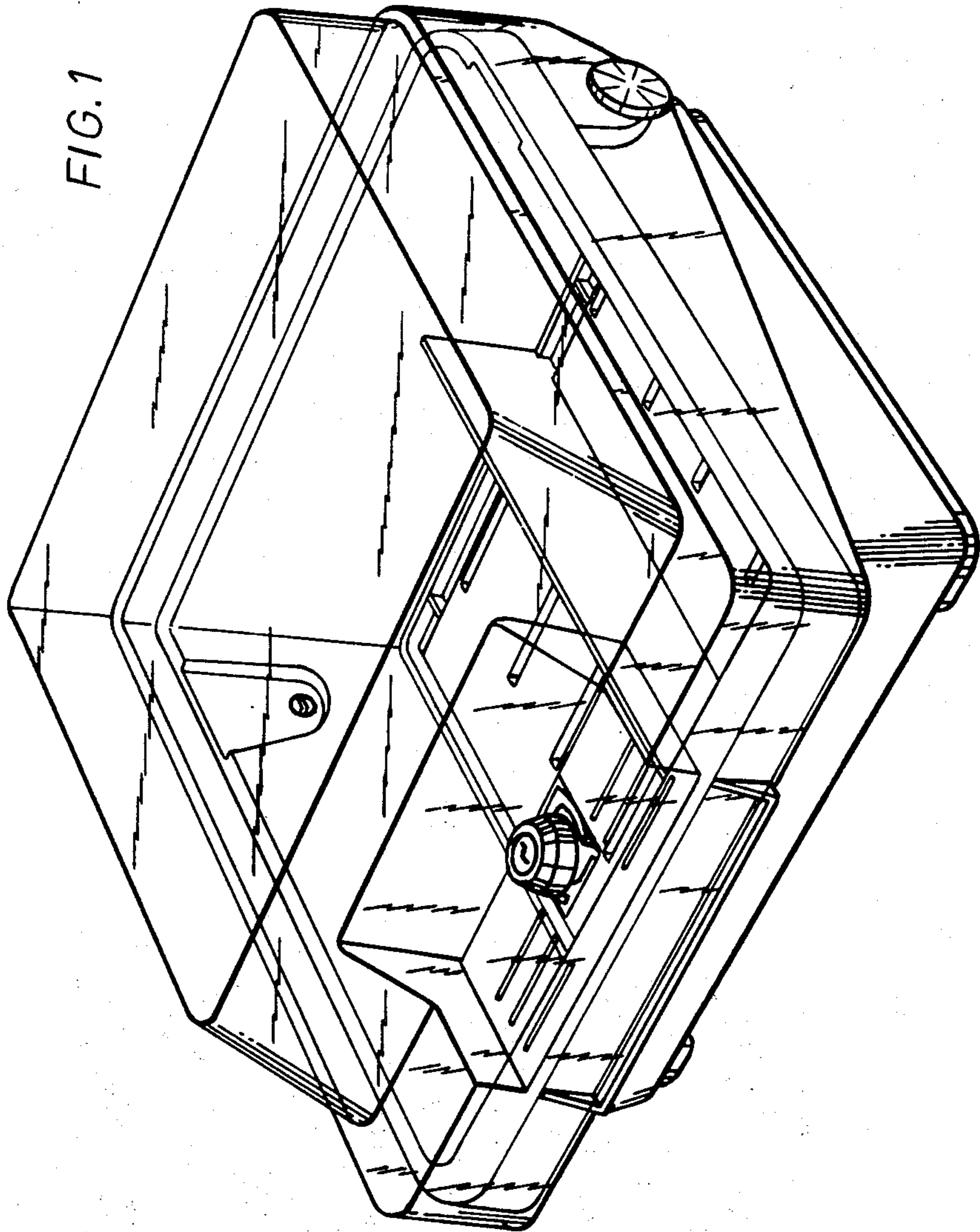
FIG. 1 is a front perspective view of a combined card tray and cover showing my new design;

FIG. 2 is an inverted bottom rear perspective view thereof;

FIG. 3 is a front perspective view of the cover portion; and

FIG. 4 is an inverted bottom rear perspective view of the cover portion.





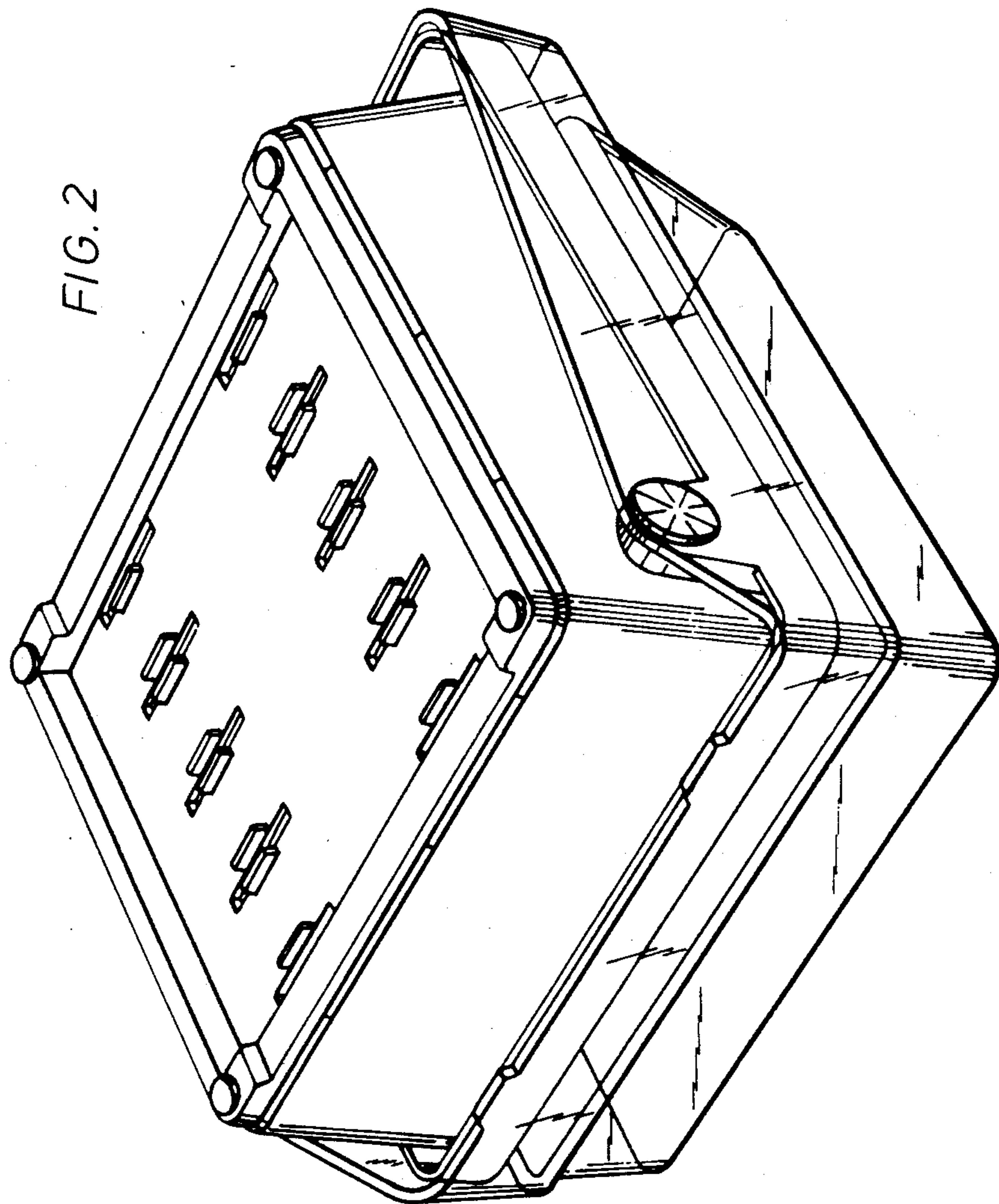


FIG. 2

FIG. 3

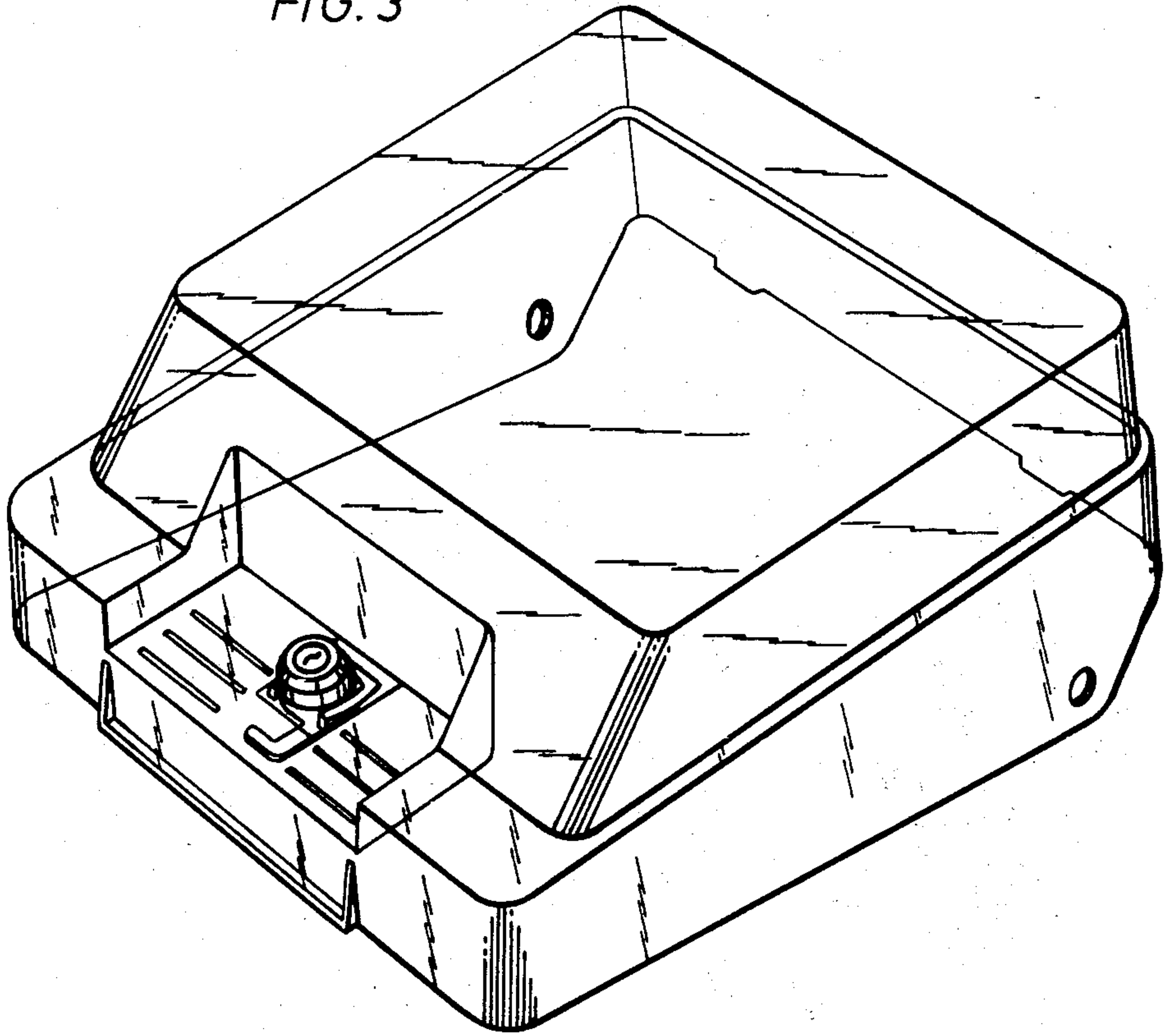


FIG. 4

