

[54] **COMBINED CARD TRAY AND COVER**

[75] **Inventor: Carl-Eric Roskvist, Bjärred, Sweden**

[73] **Assignee: ABA System AG, Ermatingen, Switzerland**

[\*\*] **Term: 14 Years**

[21] **Appl. No.: 573,383**

[22] **Filed: Jan. 24, 1984**

[52] **U.S. Cl. .... D19/76; D3/35; D3/78**

[58] **Field of Search ..... D3/35, 78; D19/75, 76; D6/407; 206/387, 444, 425; 312/8-13; 40/371**

[56] **References Cited**

**U.S. PATENT DOCUMENTS**

- D. 243,526 3/1977 Overman ..... D19/76
- D. 268,379 3/1983 Dishell ..... D3/35
- 4,015,350 4/1977 Zurwelle ..... D19/76
- 4,091,918 5/1978 Sowlakis et al. .... 206/425

4,544,213 10/1985 Long et al. .... D19/76

**OTHER PUBLICATIONS**

Uarco Computer Supply Cat. 1983, p. 10, top left, p. 7, bottom right.

*Primary Examiner*—George P. Word  
*Attorney, Agent, or Firm*—Bucknam and Archer

[57] **CLAIM**

The ornamental design for a combined card tray and cover, as shown and described.

**DESCRIPTION**

FIG. 1 is a front perspective view of a combined card tray and cover showing my new design;

FIG. 2 is an inverted bottom rear perspective view thereof;

FIG. 3 is a front perspective view of the cover portion; and

FIG. 4 is an inverted bottom rear perspective view of the cover portion.

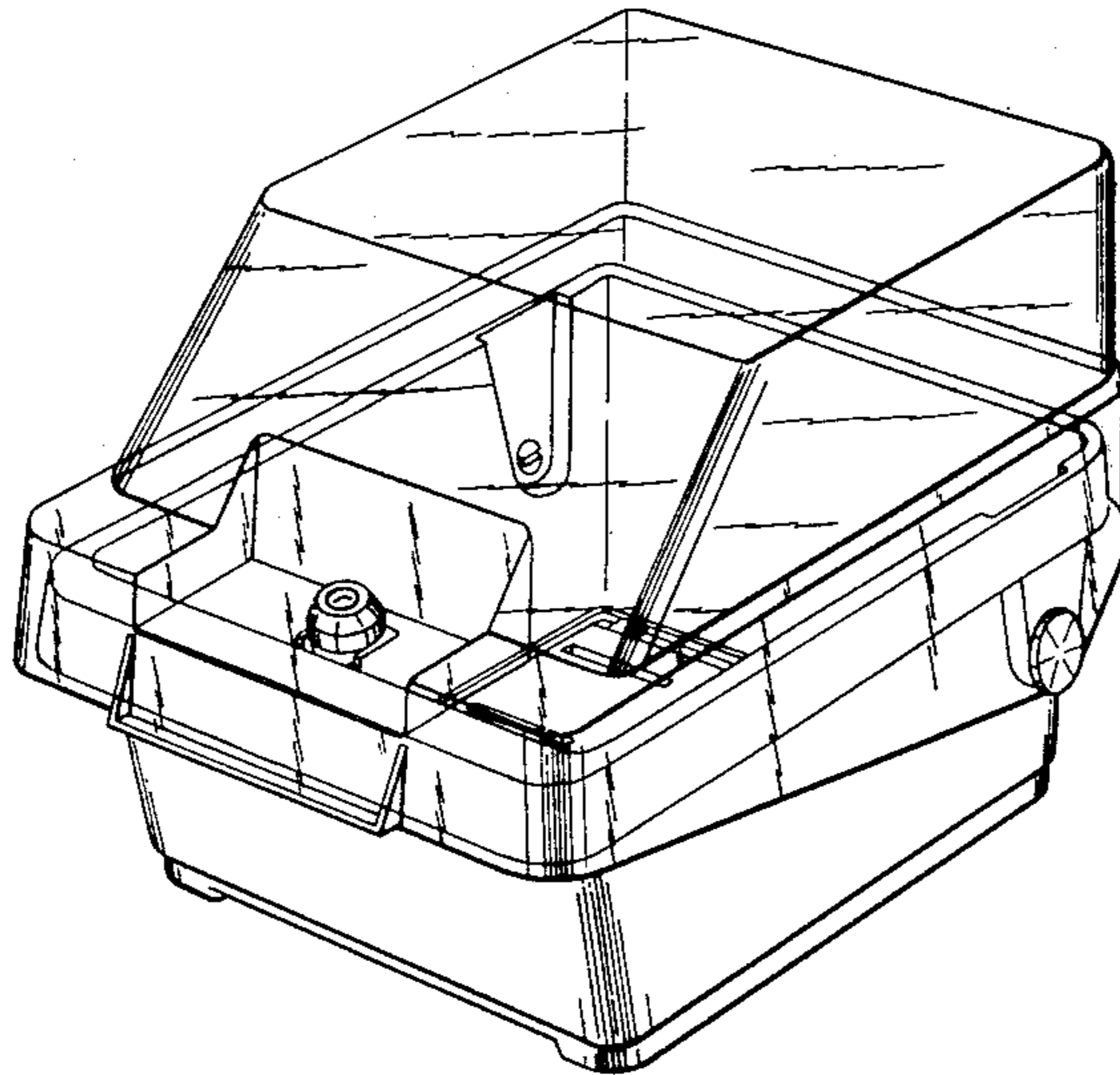


FIG. 1

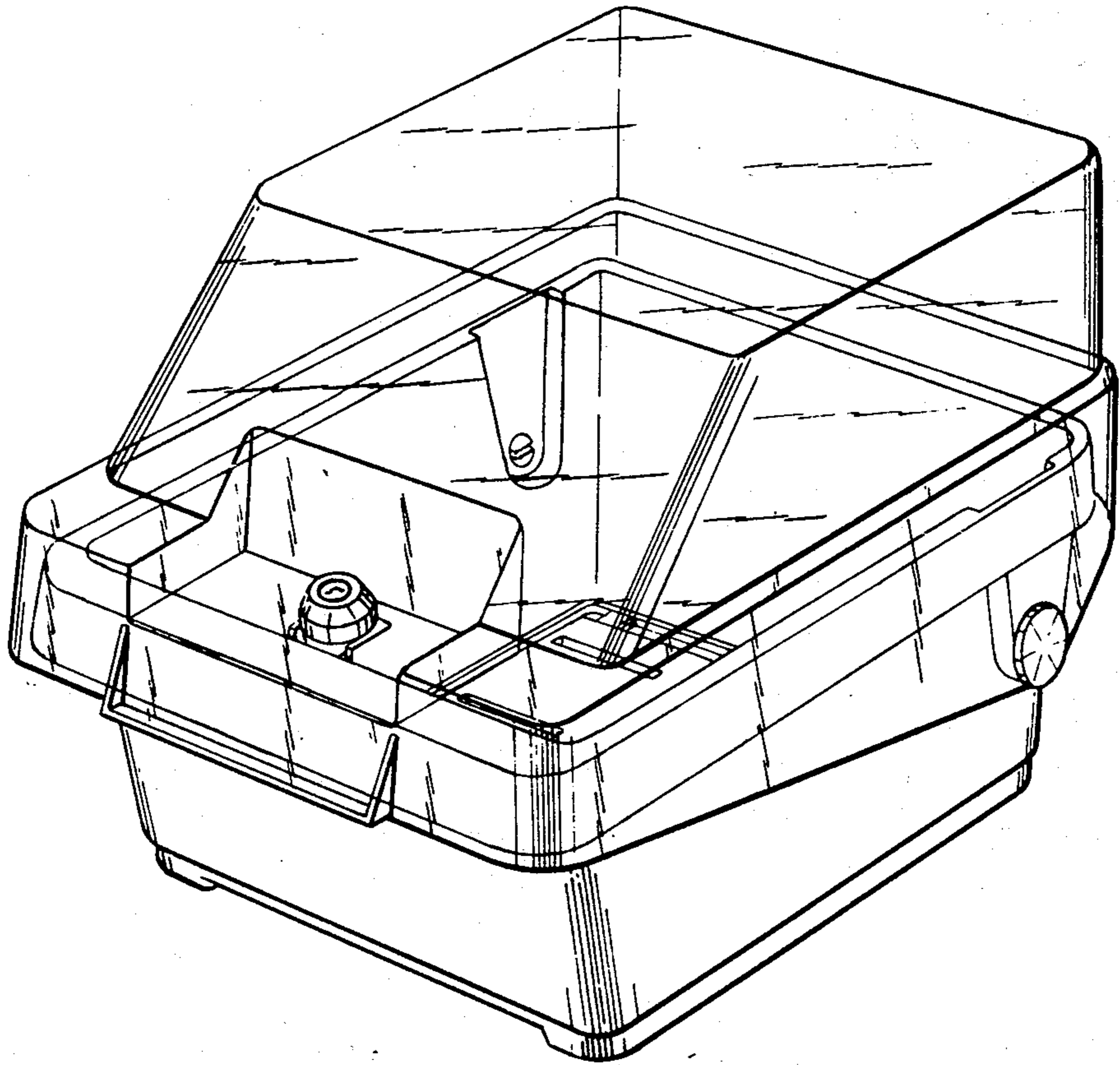


FIG. 2

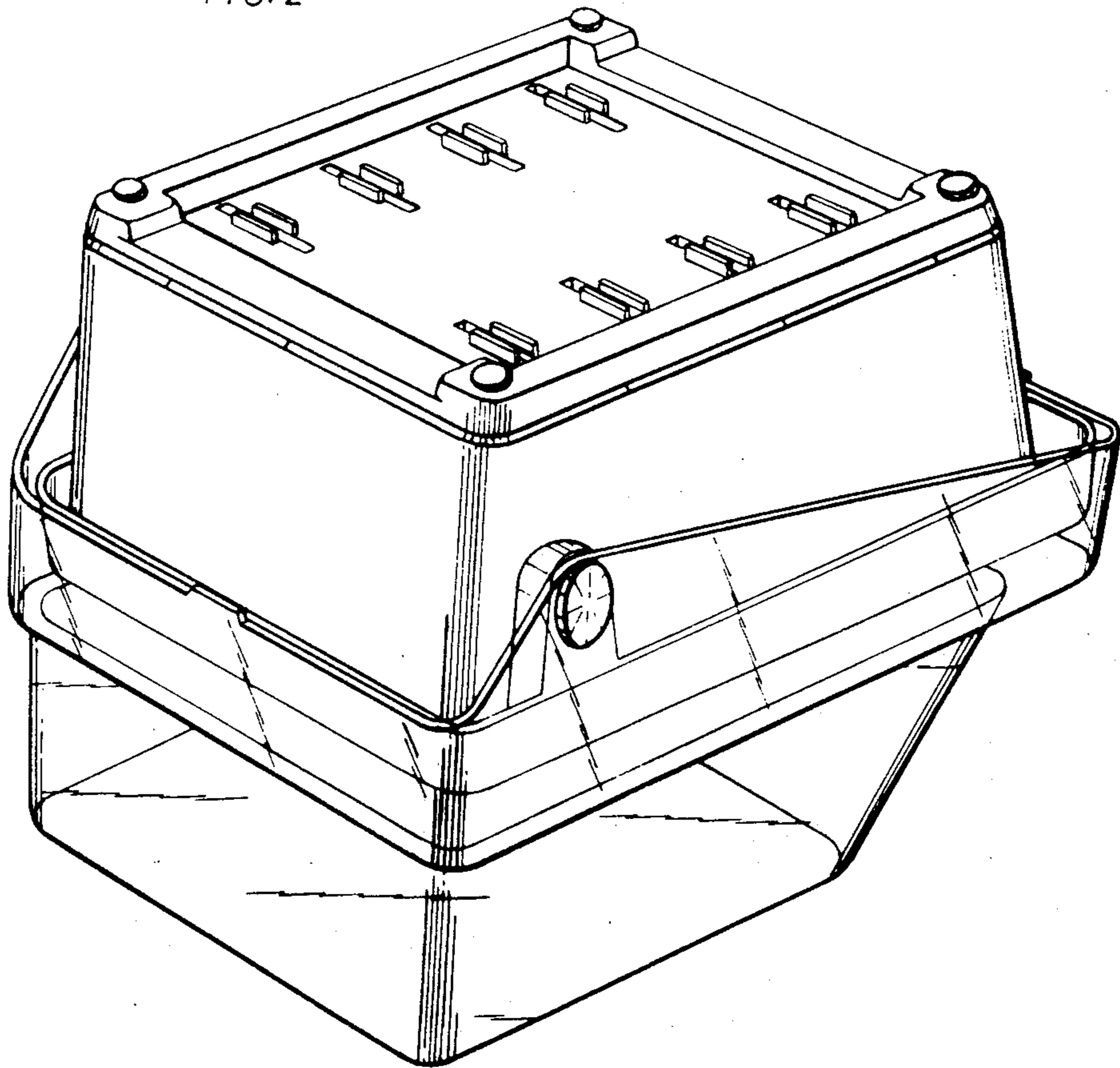


FIG. 3

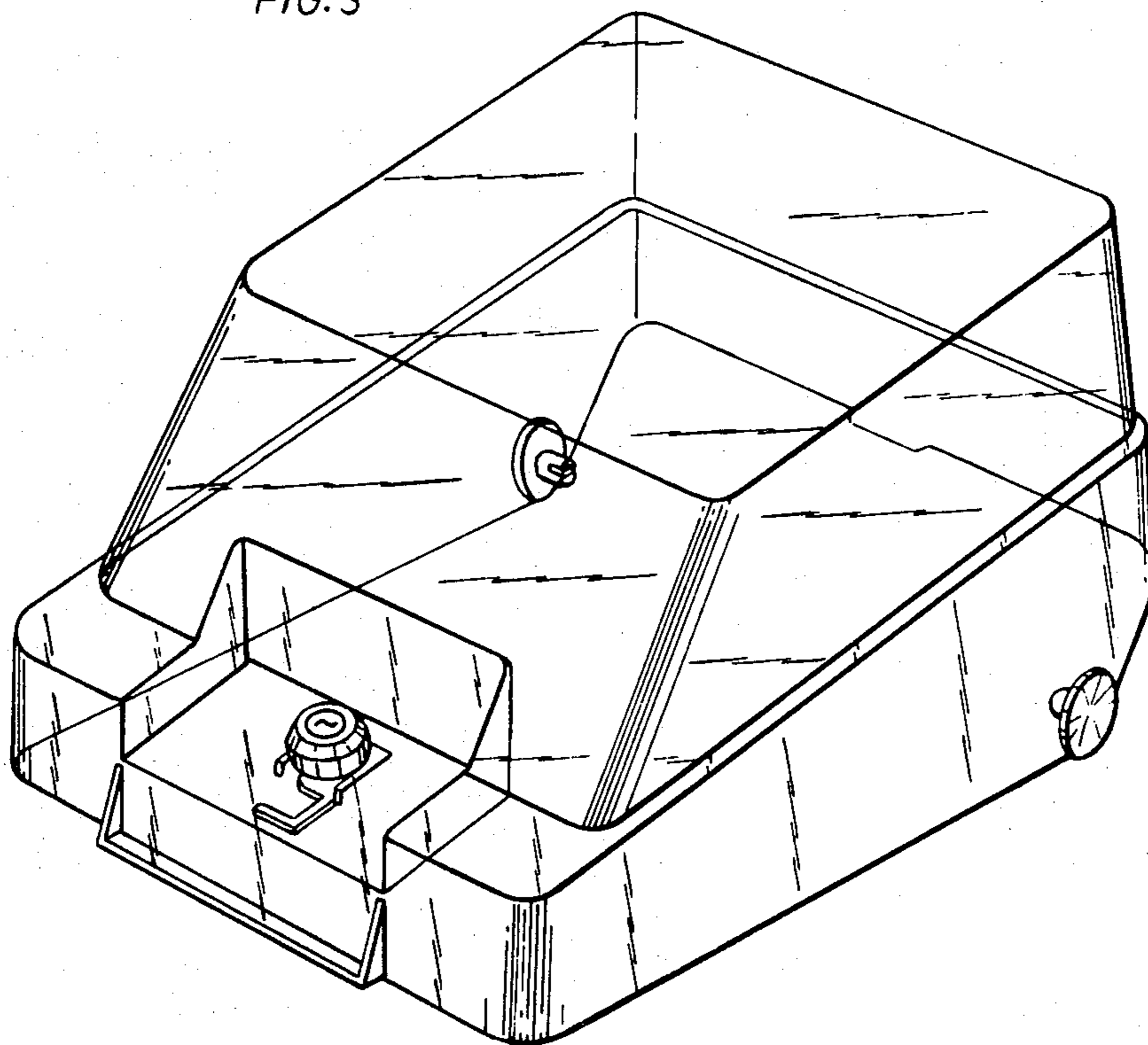


FIG. 4

