

# United States Patent [19]

Nibley et al.

[11] Patent Number: **Des. 285,211**

[45] Date of Patent: **\*\* Aug. 19, 1986**

[54] **PRINTER FOR ELECTRONIC CALCULATOR**

[75] Inventors: **Richard Nibley, Tokyo; Takehiko Kiyohara, Zama, both of Japan**

[73] Assignee: **Canon Kabushiki Kaisha, Tokyo, Japan**

[\*\*] Term: **14 Years**

[21] Appl. No.: **671,979**

[22] Filed: **Nov. 16, 1984**

[30] **Foreign Application Priority Data**

May 18, 1984 [JP] Japan ..... 59-20418

[52] U.S. Cl. .... **D18/12; D14/111; D18/13**

[58] Field of Search ..... **D18/2, 6-8, D18/11-13, 22; D14/100, 111, 114; 400/689-690.4; 364/706-710**

[56] **References Cited**

**U.S. PATENT DOCUMENTS**

D. 249,347 9/1978 Zierhut ..... D18/13 X

D. 267,413 12/1982 Mori ..... D18/13  
D. 269,782 7/1983 Canning et al. .... D18/13 X  
D. 278,821 5/1985 Maruyama ..... D14/111  
D. 280,412 9/1985 Sakamoto ..... D14/111  
D. 281,322 11/1985 Ekuan ..... D14/111

*Primary Examiner*—Louis S. Zarfes

[57] **CLAIM**

The ornamental design for a printer for electronic calculator, as shown and described.

**DESCRIPTION**

FIG. 1 is a front elevational view of a printer for electronic calculator showing our new design;  
FIG. 2 is a rear elevational view thereof;  
FIG. 3 is a top plan view thereof;  
FIG. 4 is a bottom plan view thereof;  
FIG. 5 is a side elevational view as seen from the left of FIG. 1;  
FIG. 6 is a side elevational view as seen from the right of FIG. 1 and  
FIG. 7 is a perspective view of the printer for electronic calculator.

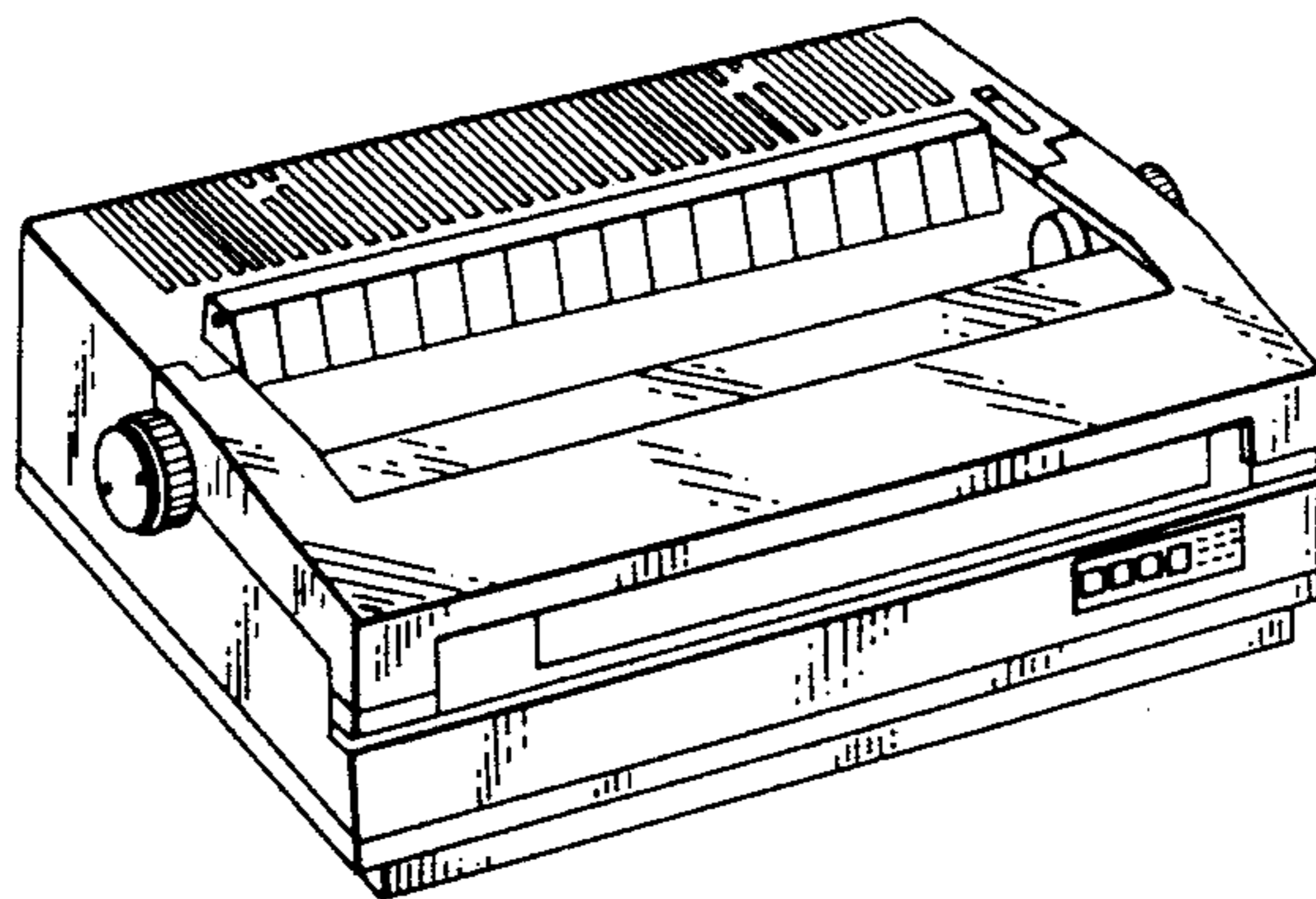


FIG. 1

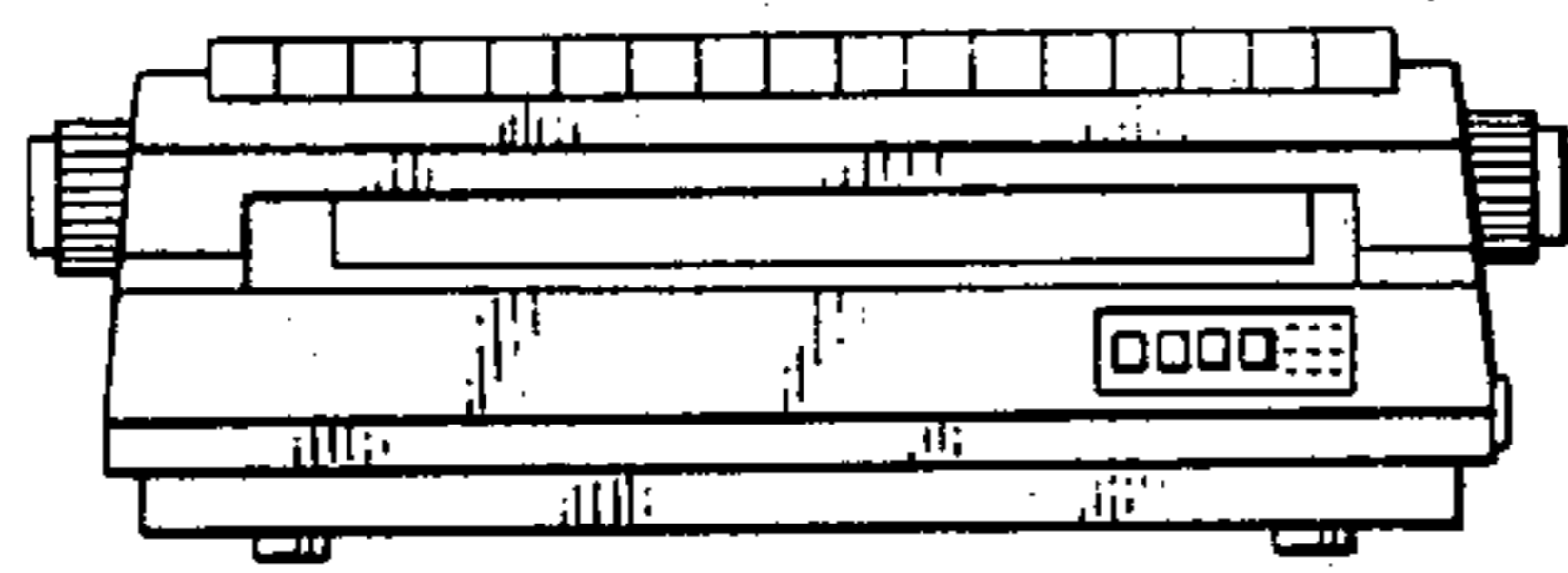


FIG. 2

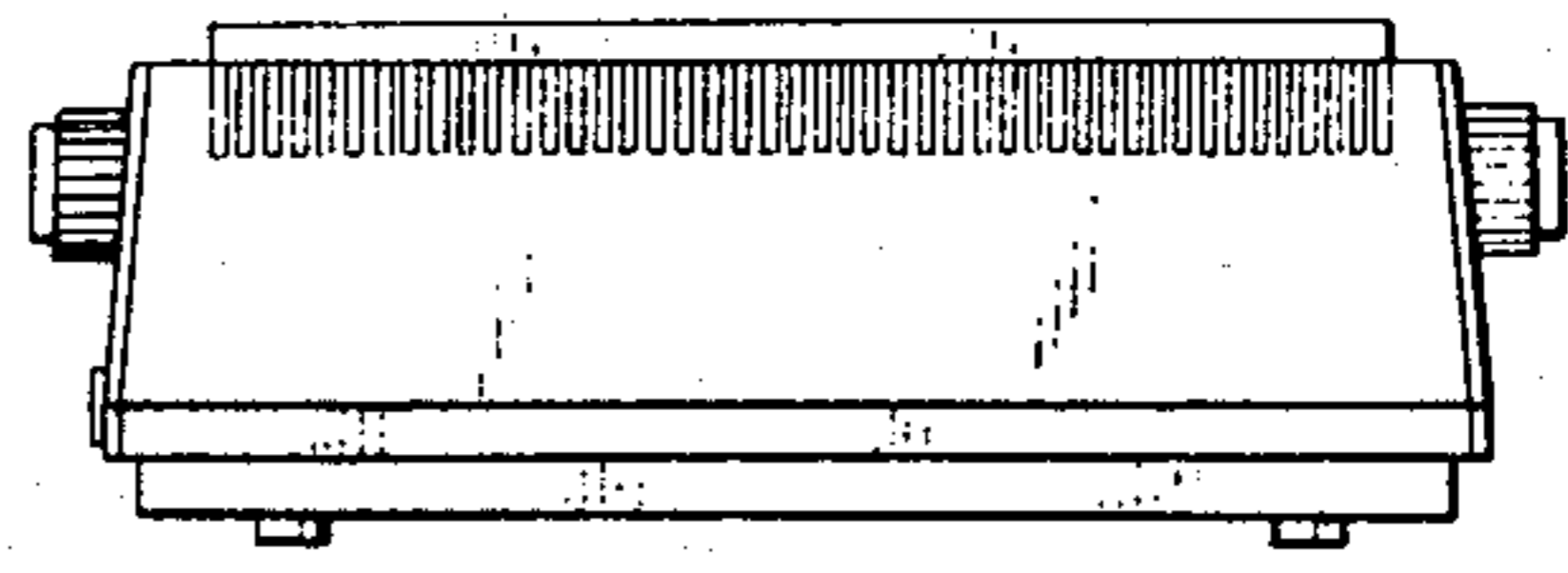


FIG. 3

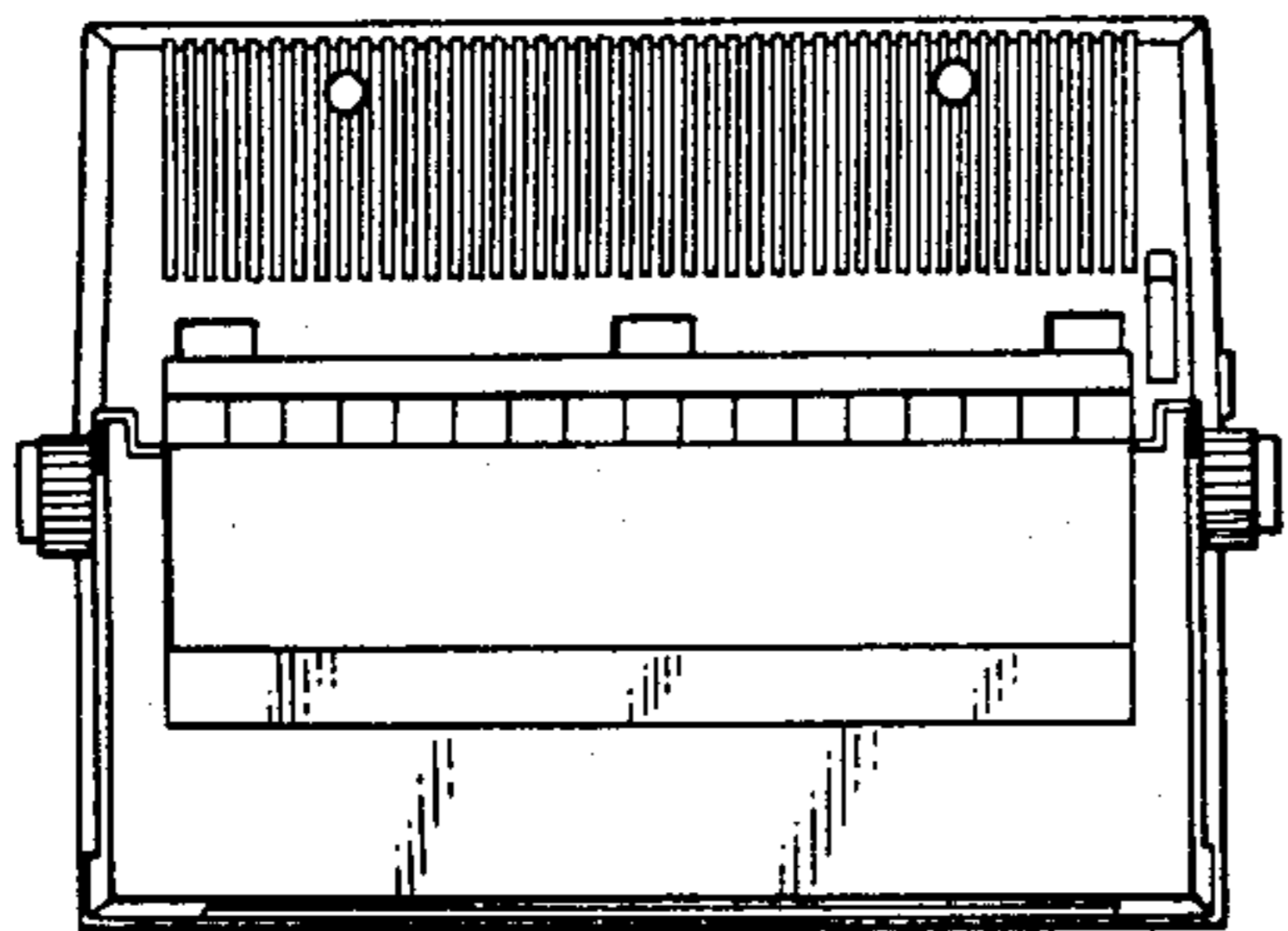


FIG. 4

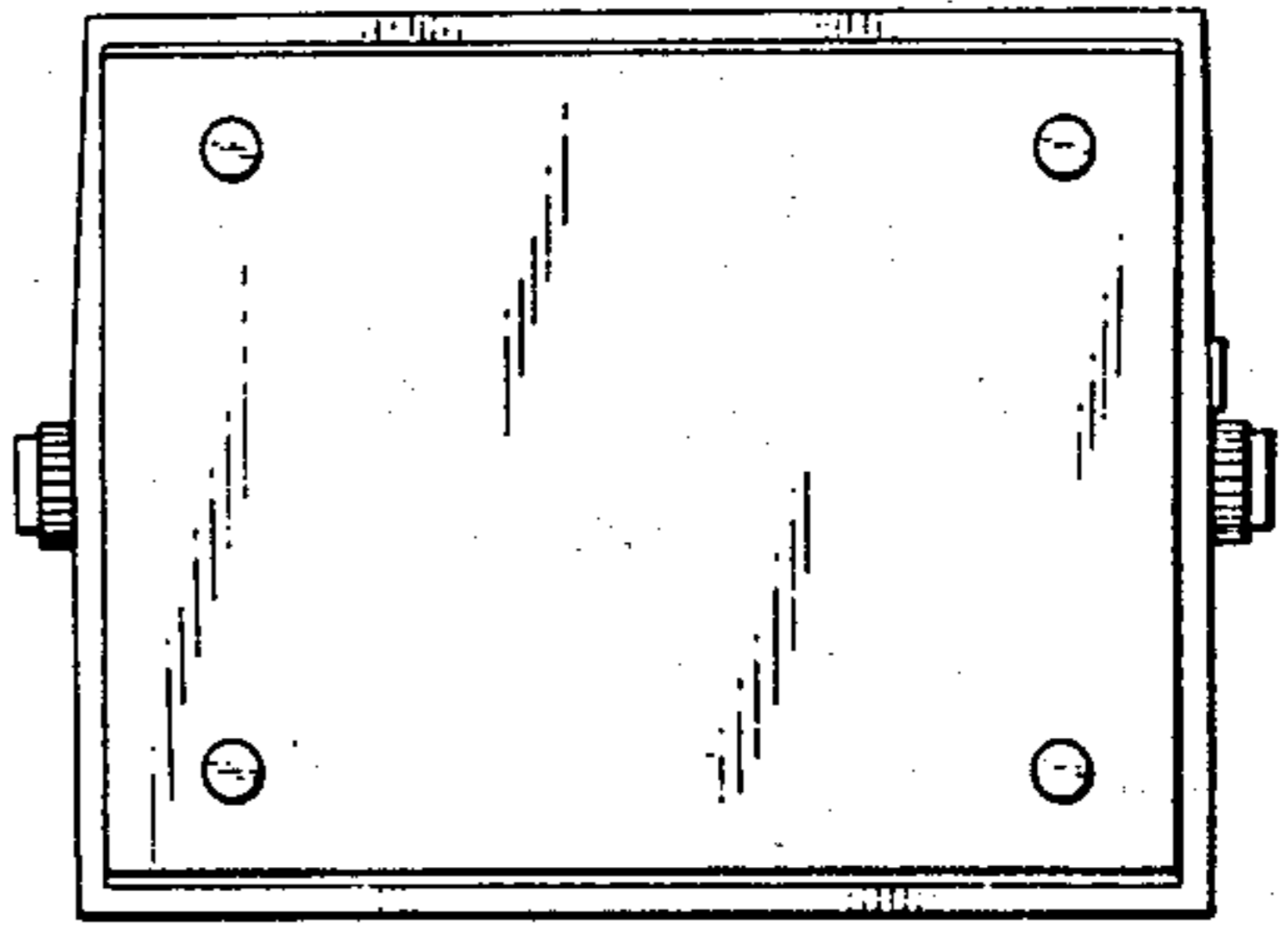


FIG. 5

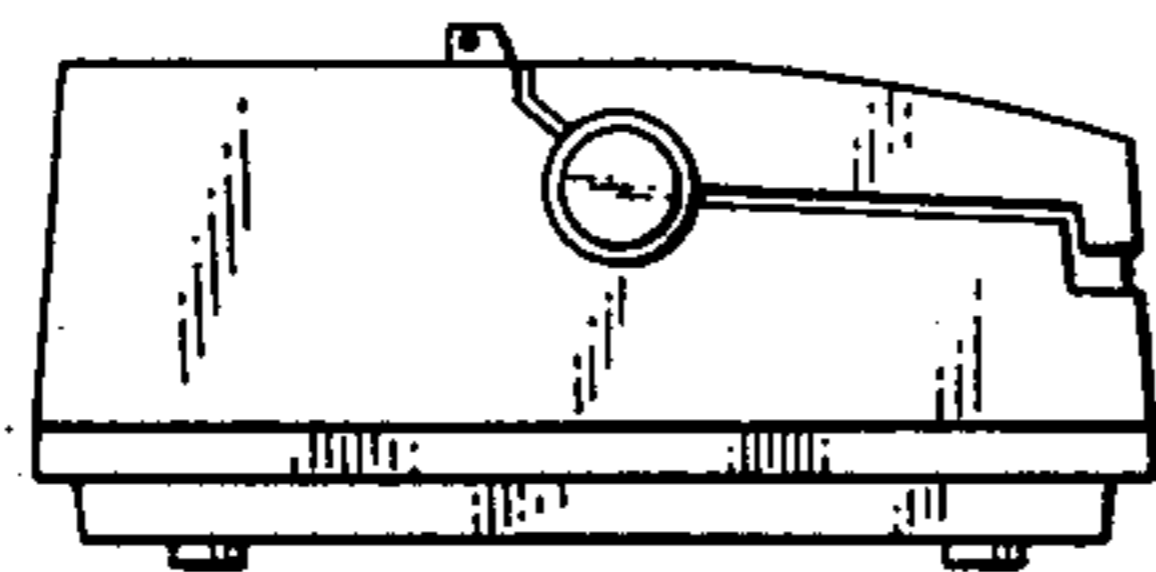


FIG. 6

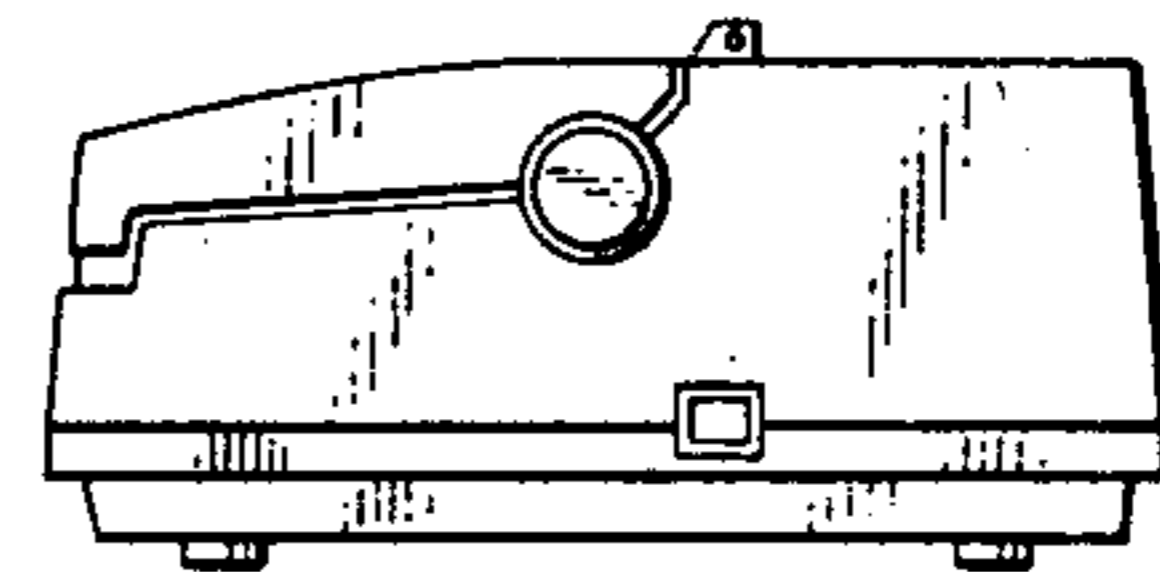


FIG. 7

