

[54] ELECTRONIC COPYING MACHINE

[75] Inventors: Mikio Kosako; Hiroshi Nishibori, both of Osaka, Japan

[73] Assignee: Sharp Corporation, Osaka, Japan

[\*\*] Term: 14 Years

[21] Appl. No.: 609,730

[22] Filed: May 14, 1984

[30] Foreign Application Priority Data

Nov. 14, 1983 [JP] Japan ..... 58-49561

[52] U.S. Cl. .... D16/31

[58] Field of Search ..... D16/27-32; 355/3 R, 3 SH, 5-11, 14 R, 14 SH, 18-19, 45-51, 54

[56] References Cited

U.S. PATENT DOCUMENTS

- D. 251,912 5/1979 Nakade ..... D16/31
- D. 270,164 8/1983 Sawada ..... D16/31

- D. 270,540 9/1983 Sakurai ..... D16/31
- D. 276,051 10/1984 Kosako ..... D16/31
- D. 276,347 11/1984 Matsuzaka ..... D16/31
- D. 278,152 3/1985 Hara ..... D16/31
- D. 280,104 8/1985 Sutoh ..... D16/31

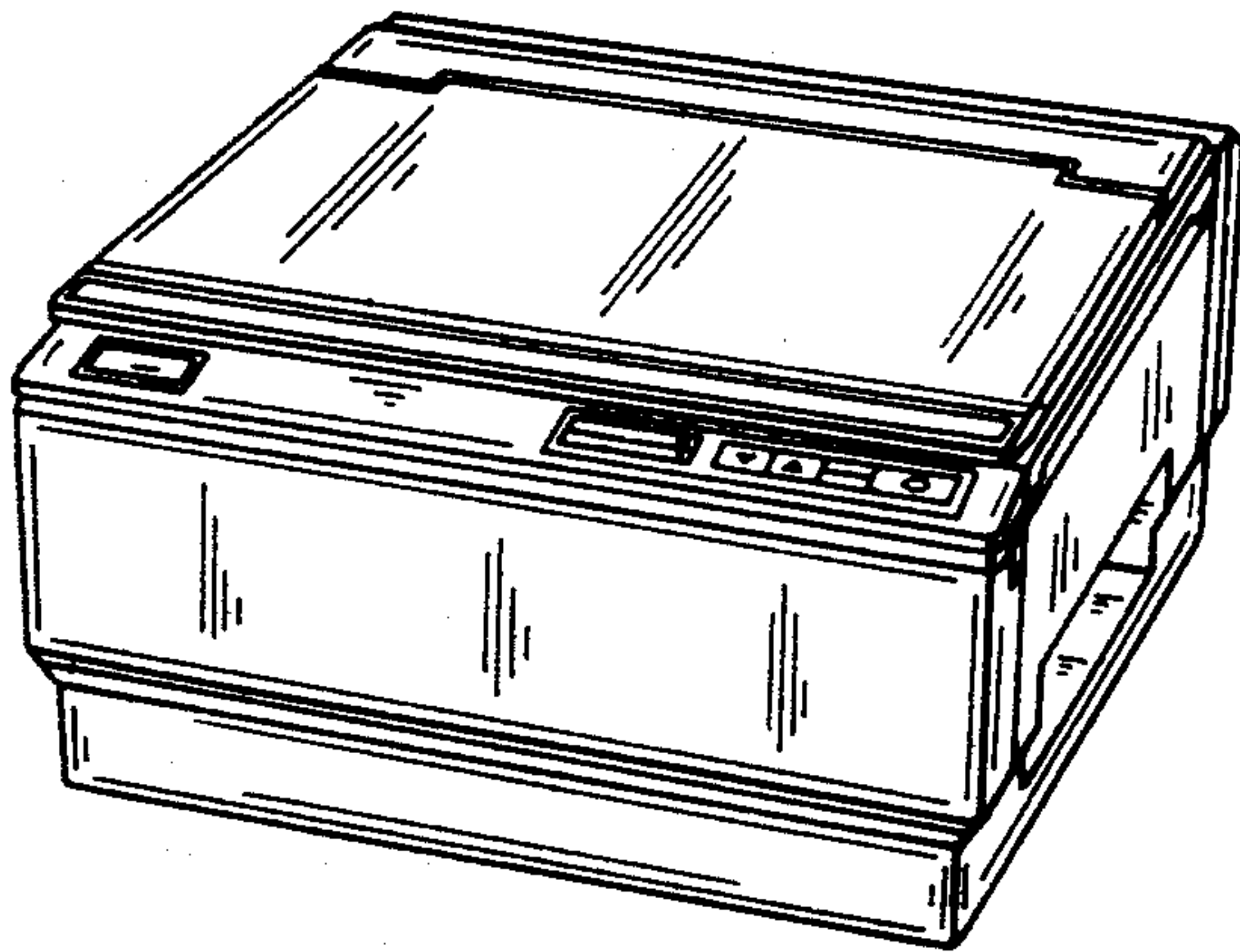
Primary Examiner—Nelson C. Holtje  
Attorney, Agent, or Firm—Flehr, Hohbach, Test, Albritton & Herbert

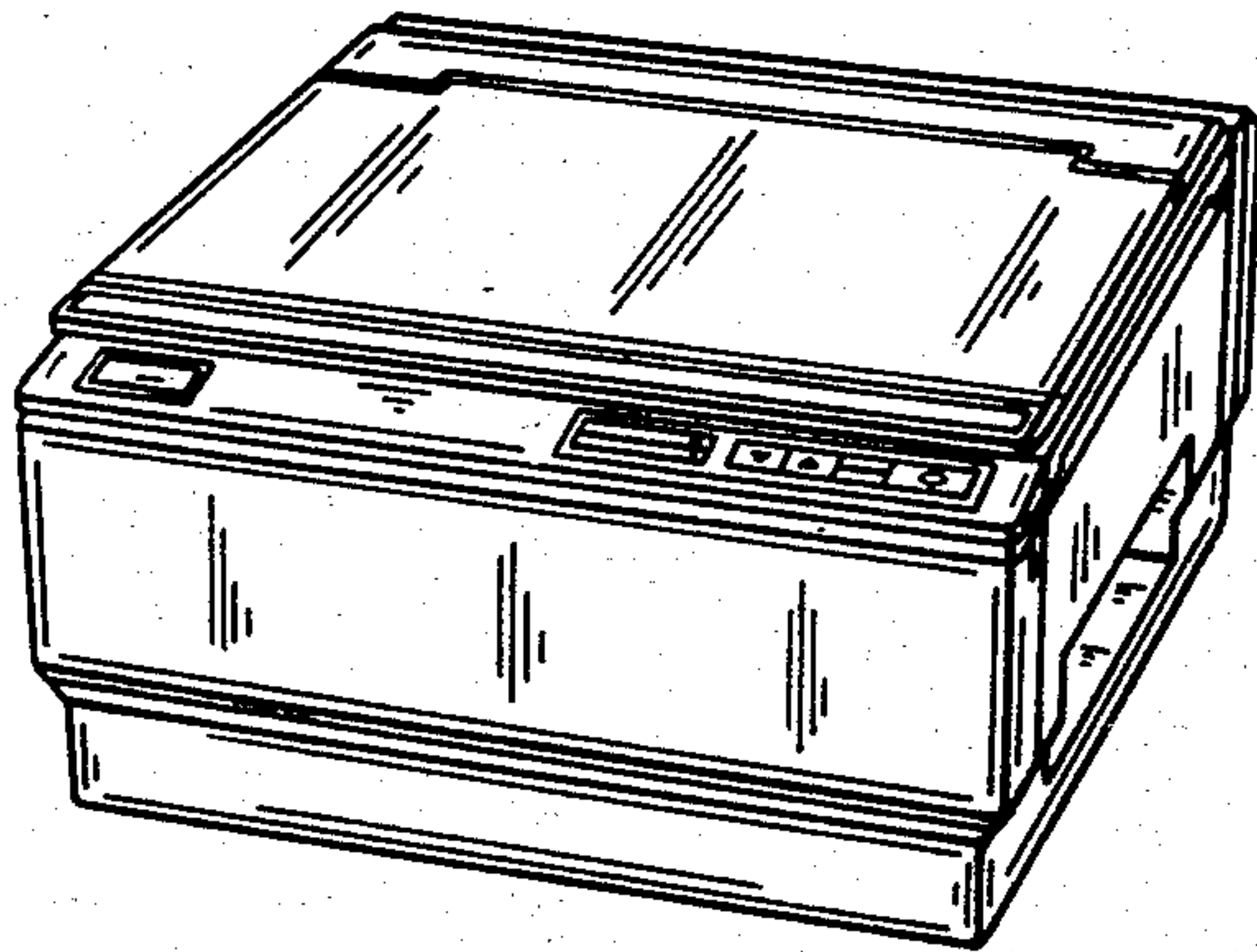
[57] CLAIM

The ornamental design for an electronic copying machine, as shown and described.

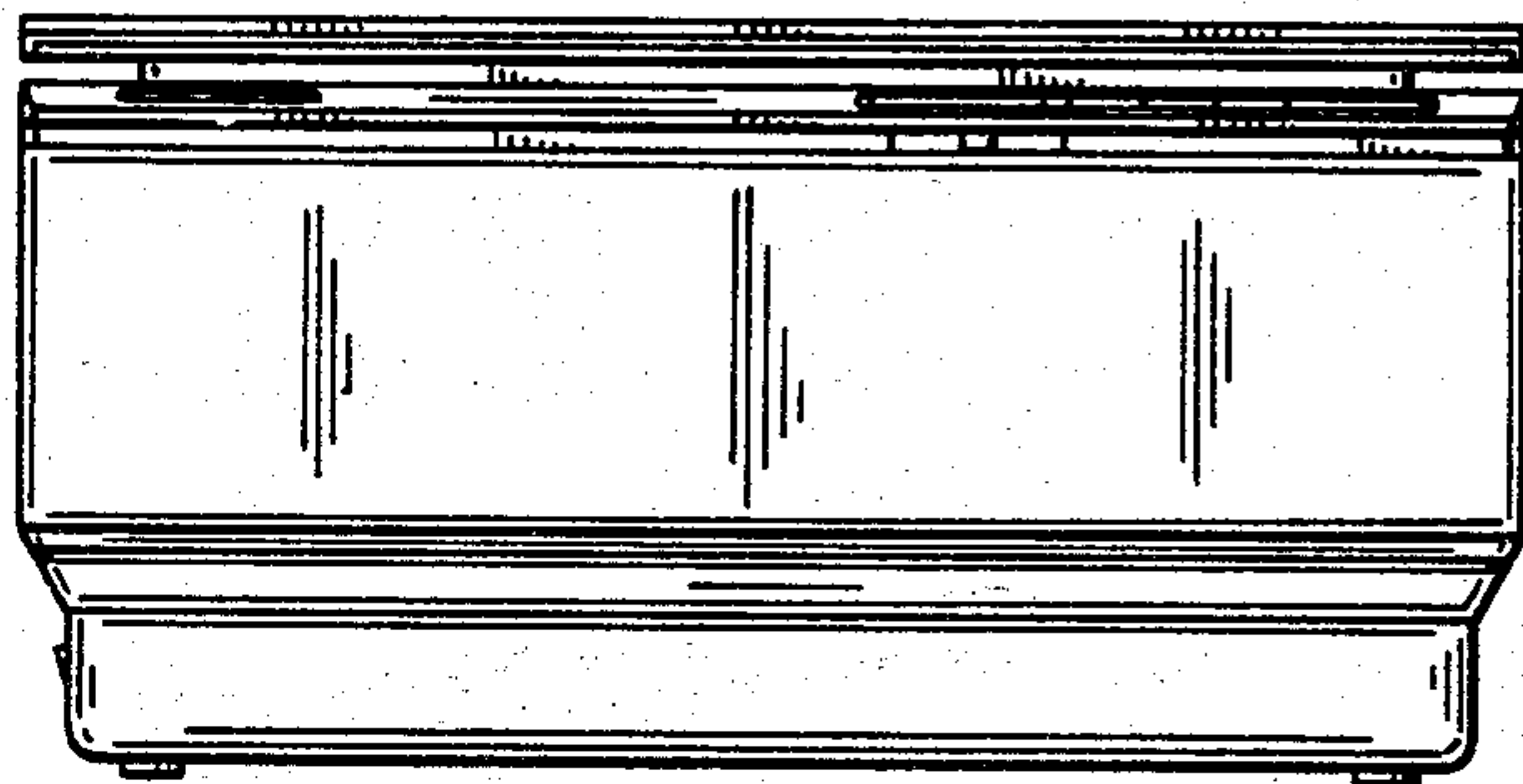
DESCRIPTION

FIG. 1 is a perspective view of the electronic copying machine showing our new design; FIG. 2 is a front elevational view thereof; FIG. 3 is a rear elevational view thereof; FIG. 4 is a top plan view thereof; FIG. 5 is a bottom plan view thereof; FIG. 6 is a right side elevational view thereof; and FIG. 7 is a left side elevational view thereof.

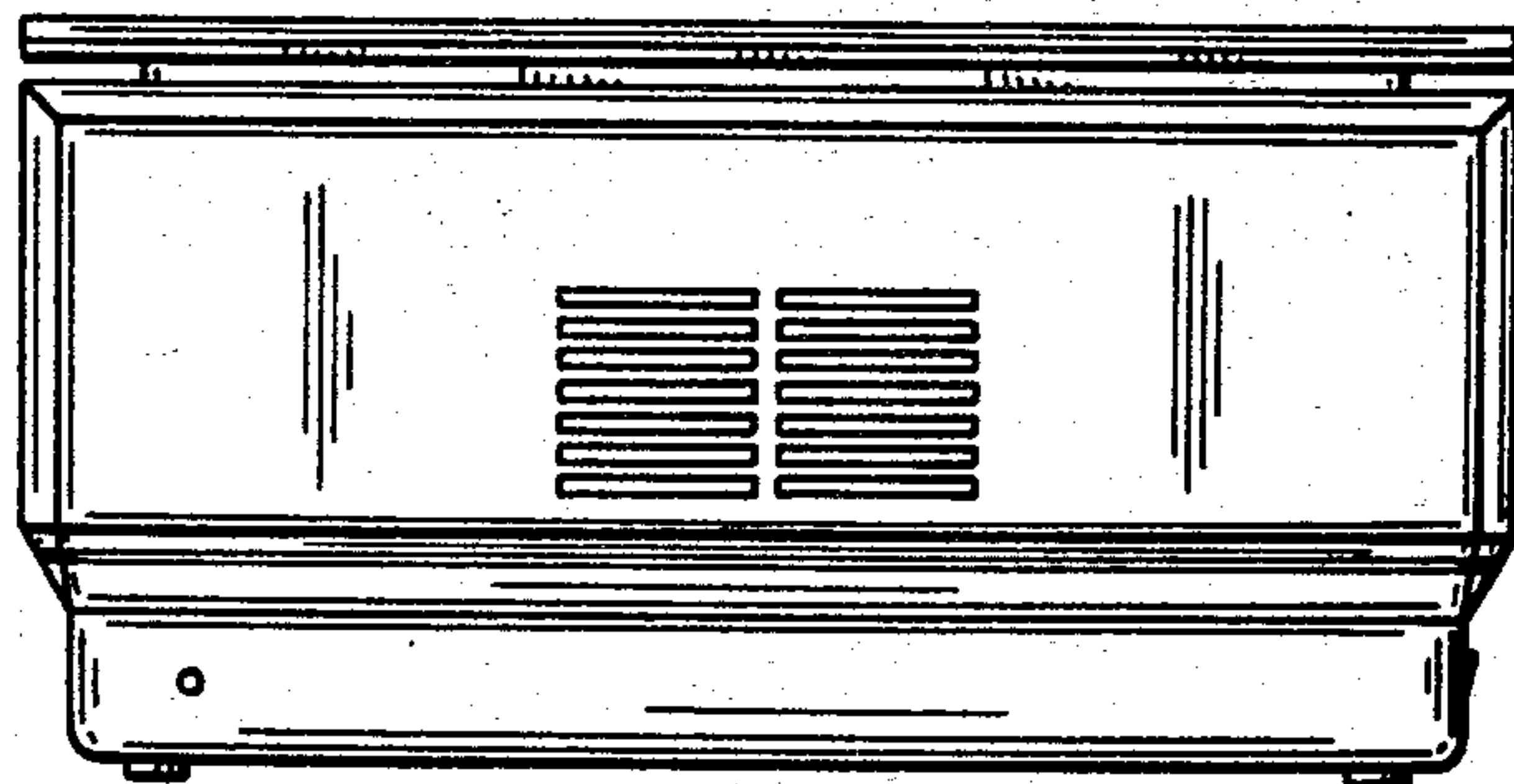




**FIG\_1**



**FIG\_2**



**FIG\_3**