

[54] DRILL PRESS PIVOT MOUNT

[75] Inventors: David S. Morris, Columbia; Donald L. Clark, Jefferson City, both of Mo.; William C. Waltz, II, Dayton, Ohio

[73] Assignee: Aspen Manufacturing Co., Dayton, Ohio

[\*\*] Term: 14 Years

[21] Appl. No.: 479,531

[22] Filed: Mar. 28, 1983

[52] U.S. Cl. .... D15/132; D15/141

[58] Field of Search ..... D15/132, 140, 141; 248/674, 667, 291; 29/26 A, 26 B; 408/187, 188, 236

[56] References Cited

U.S. PATENT DOCUMENTS

2,673,059	3/1954	Lustig .....	248/667
3,178,968	4/1965	Pettigrew et al. ....	408/236
3,837,757	9/1974	Levine .....	408/236

4,118,141 10/1978 Spohn, Jr. .... 408/236  
4,494,895 1/1985 Leaf ..... 408/236

Primary Examiner—B. J. Bullock  
Attorney, Agent, or Firm—Biebel, French & Nauman

[57] CLAIM

The ornamental design for a drill press pivot mount, substantially as shown and described.

DESCRIPTION

FIG. 1 is a side elevation of the drill press pivot mount showing our new design, the drill head and support column being shown in broken lines for illustrative purposes only;

FIG. 2 is a left-hand end view thereof;

FIG. 3 is a right-hand end view thereof;

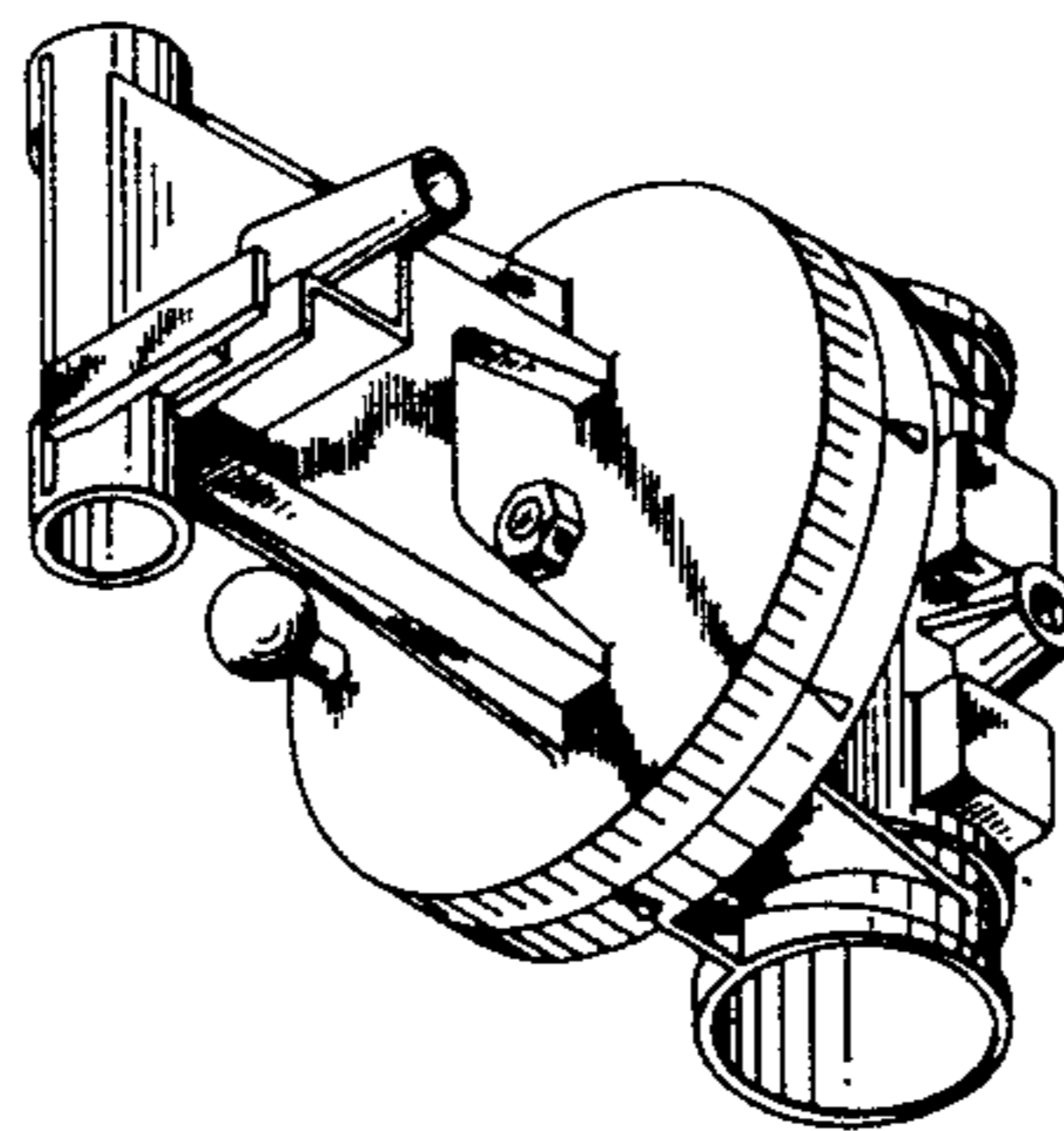
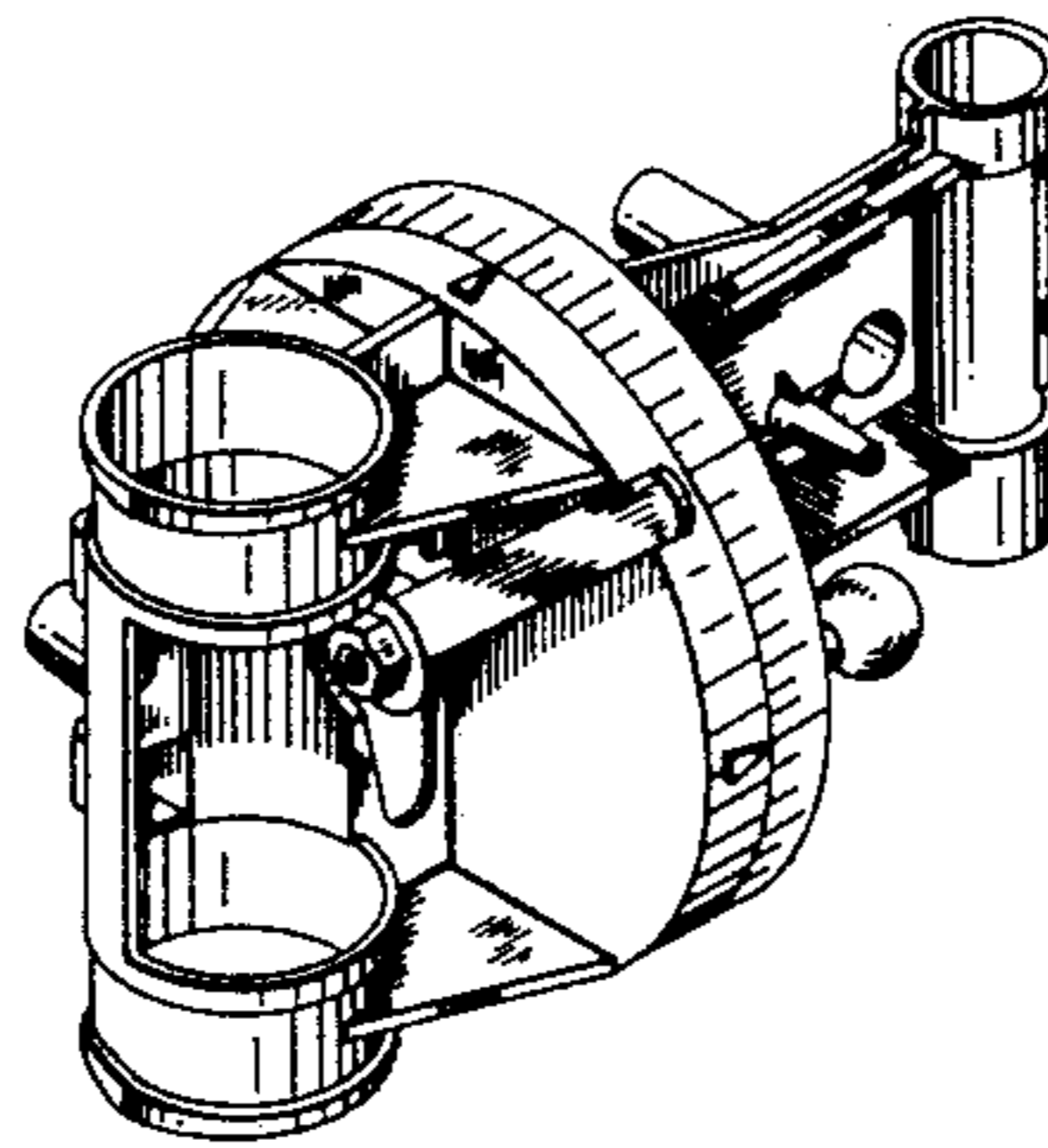
FIG. 4 is a side elevation thereof opposite the side shown in FIG. 1;

FIG. 5 is a top view thereof;

FIG. 6 is a bottom view thereof;

FIG. 7 is a top left perspective view thereof; and

FIG. 8 is a bottom right perspective view thereof.



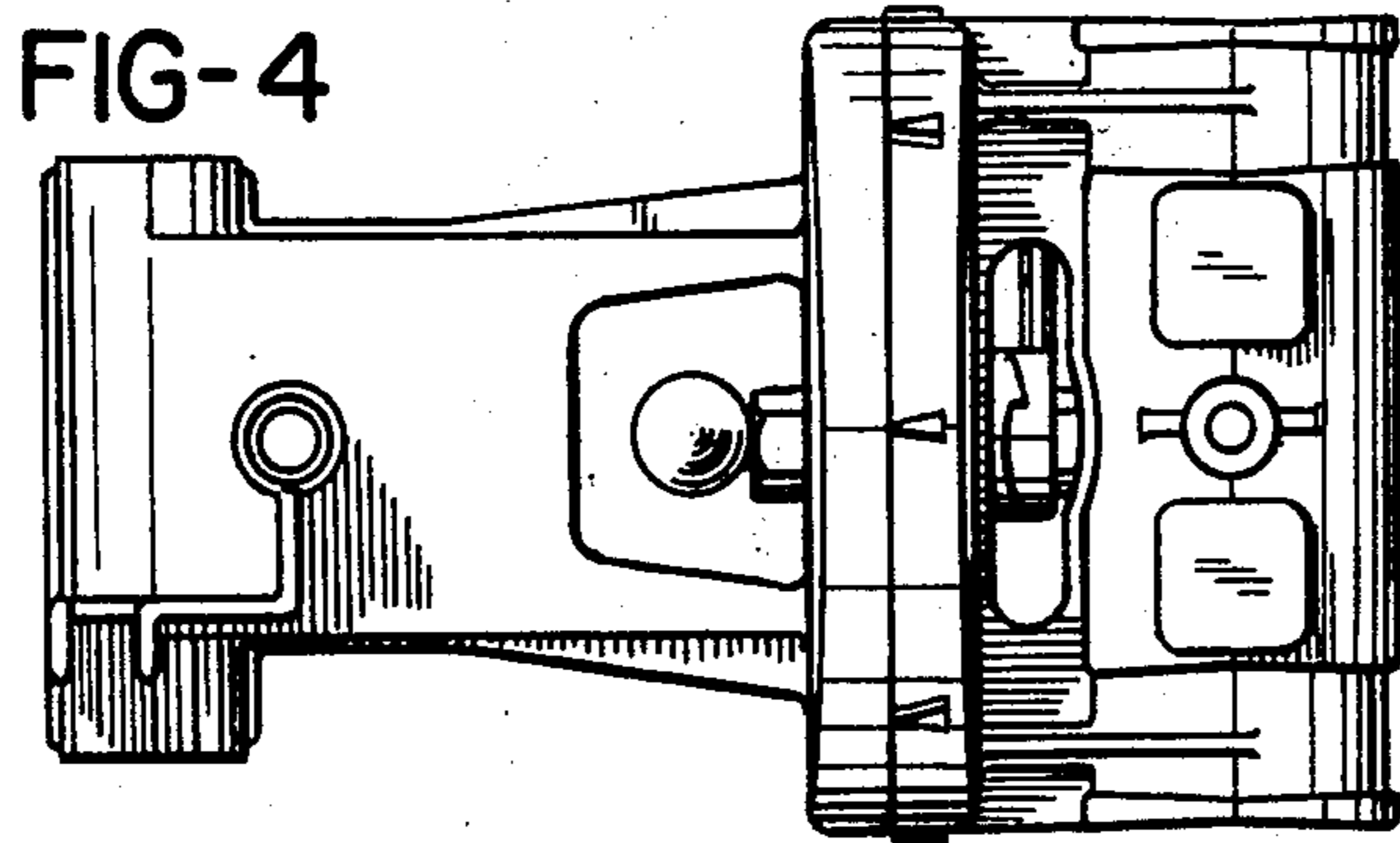
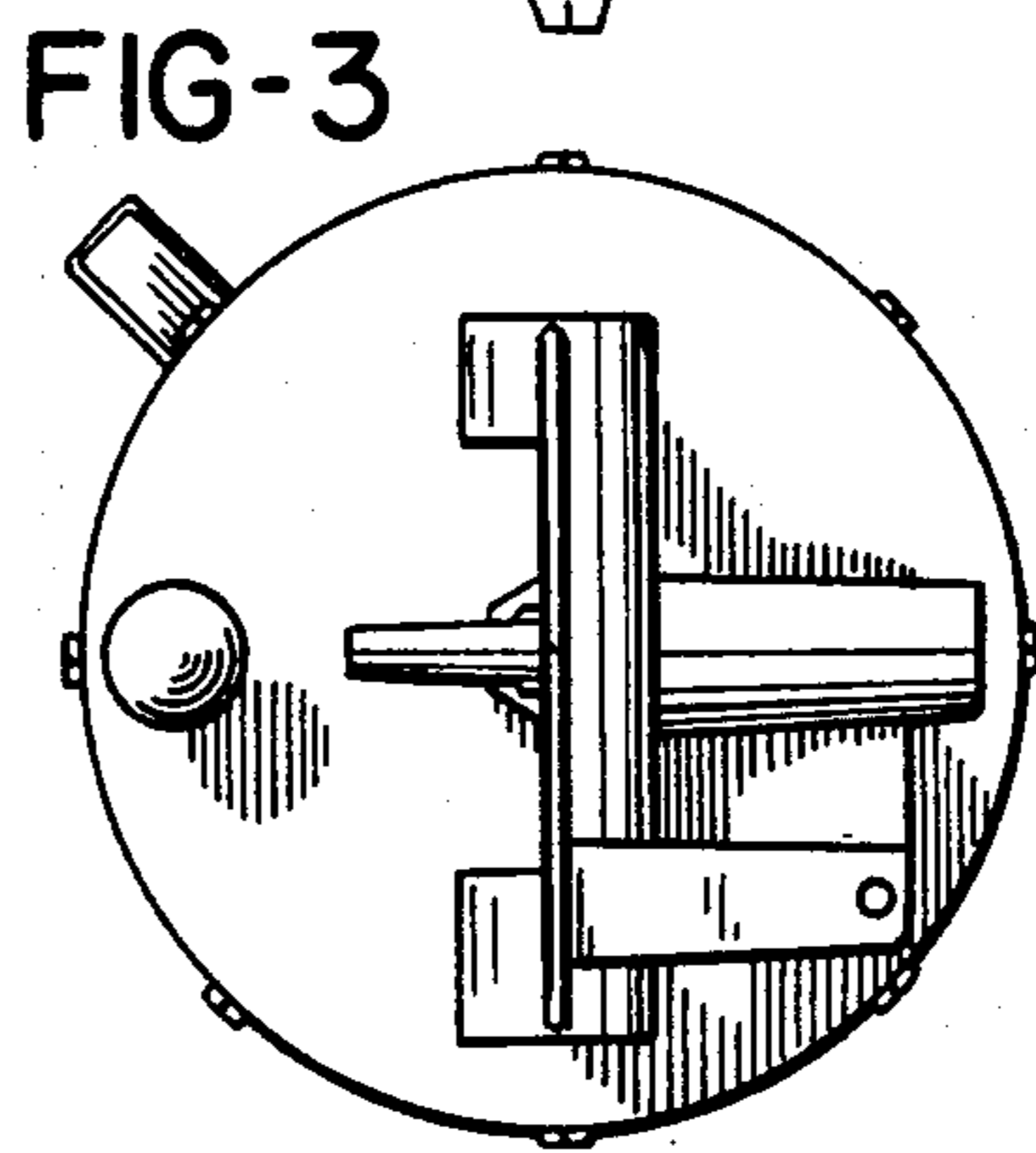
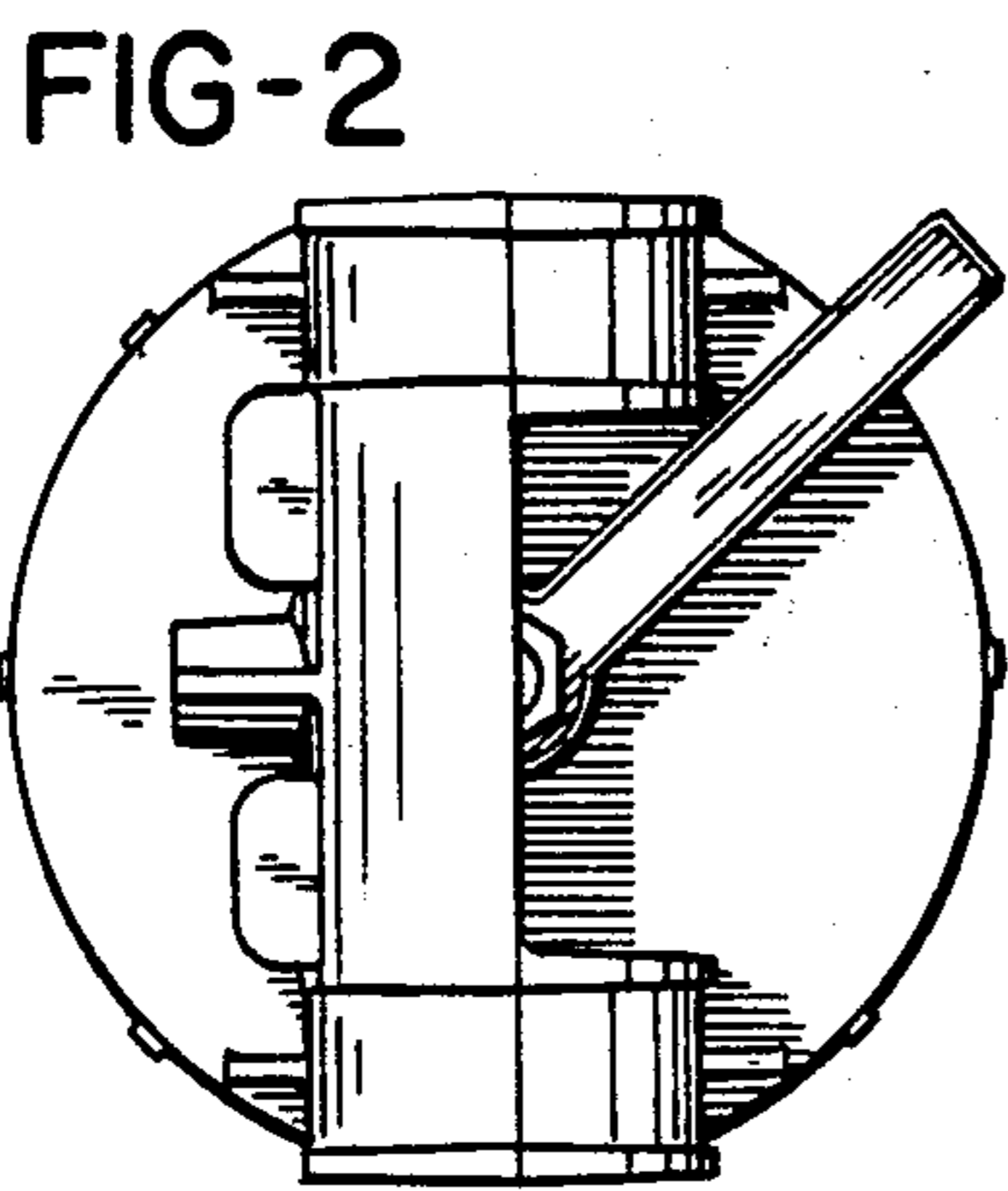
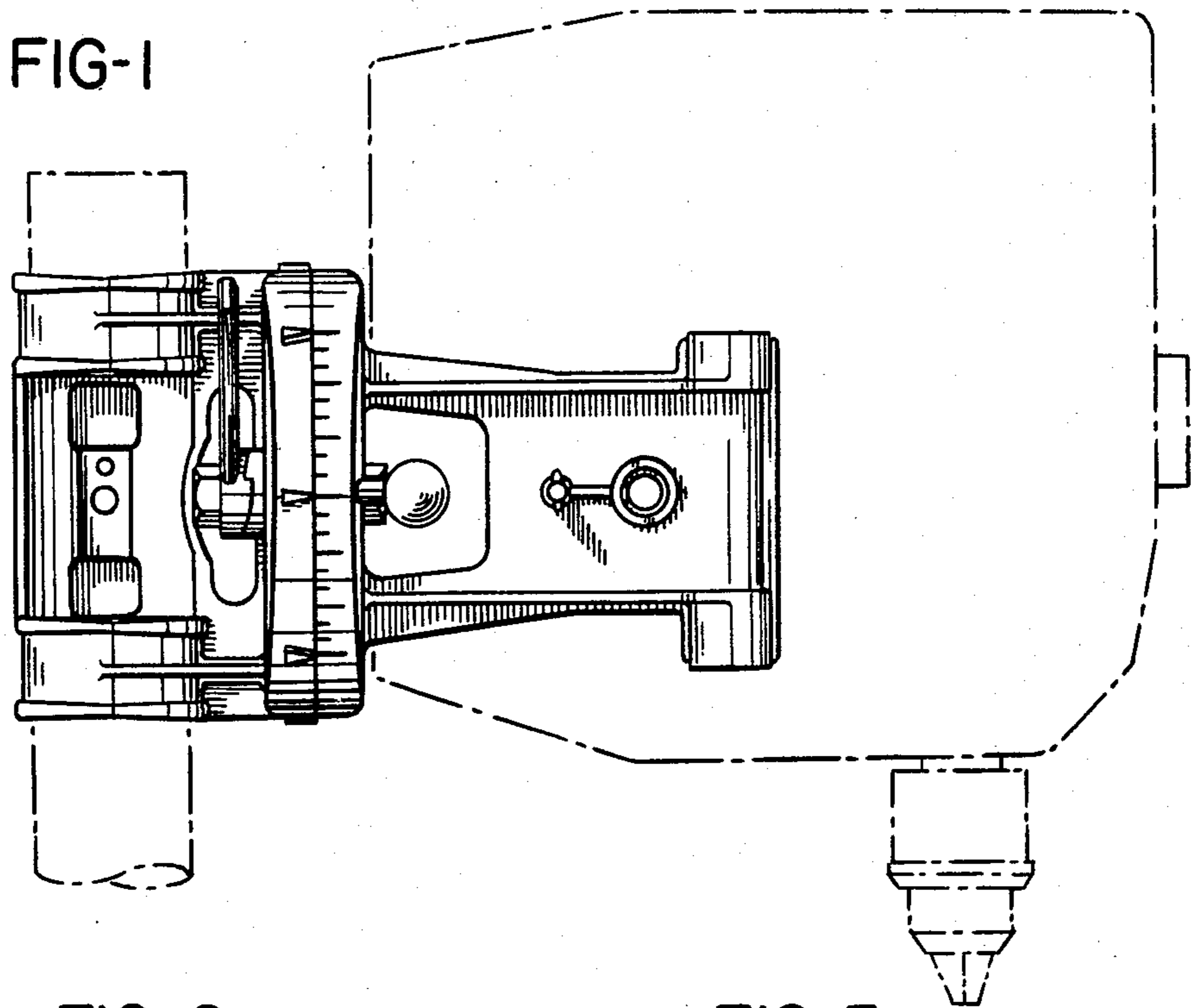


FIG-5

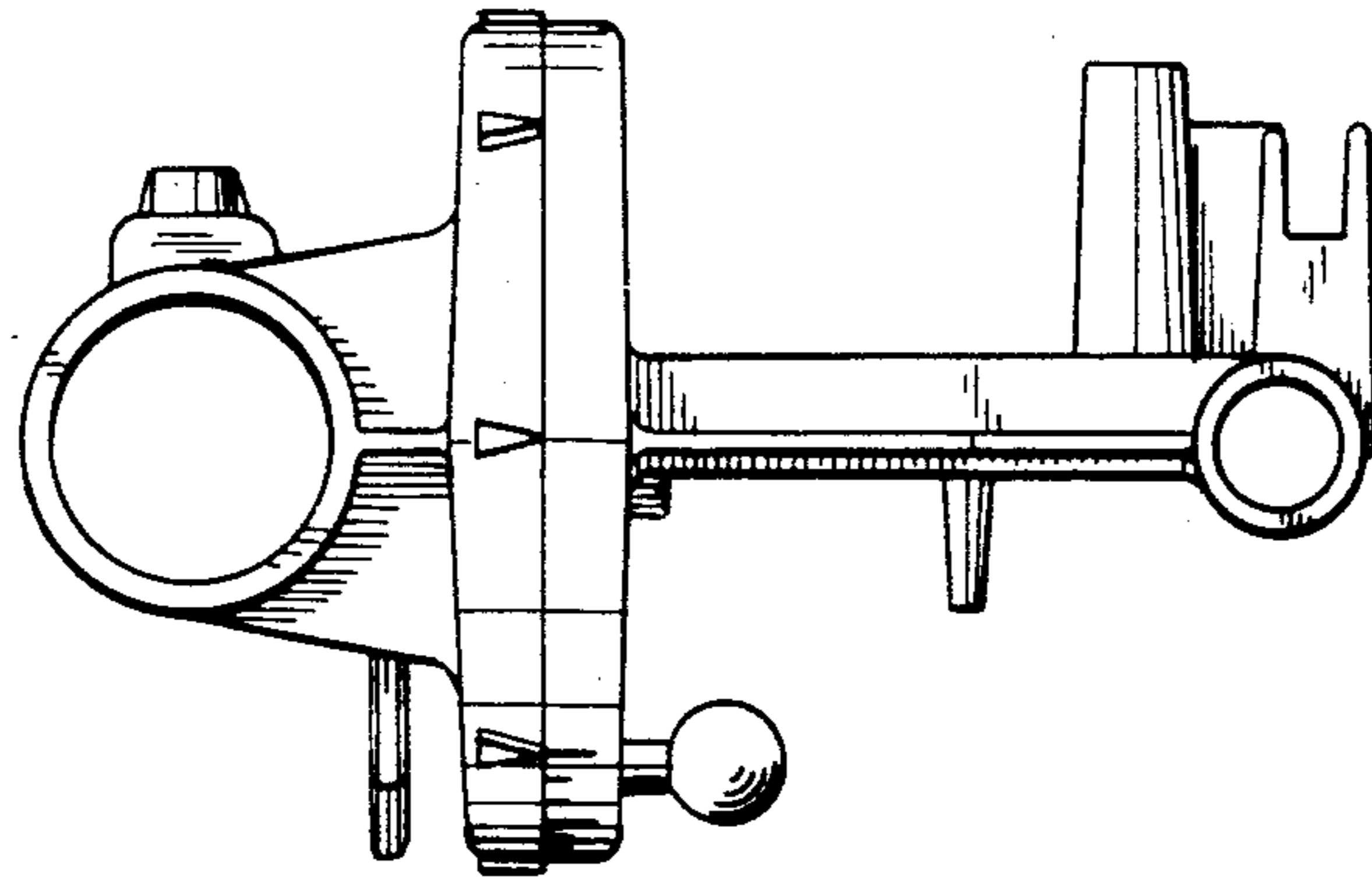


FIG-6

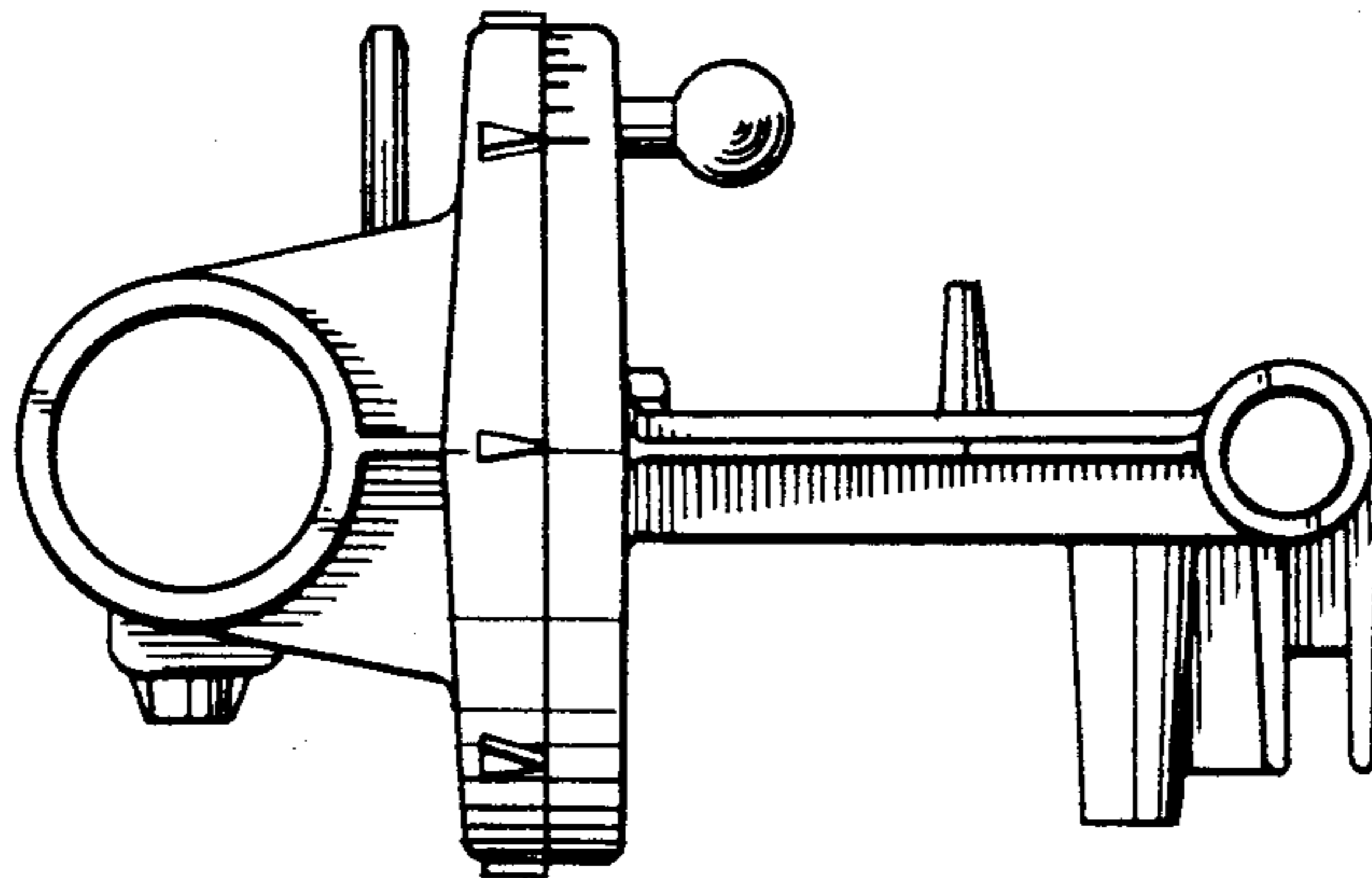


FIG-7

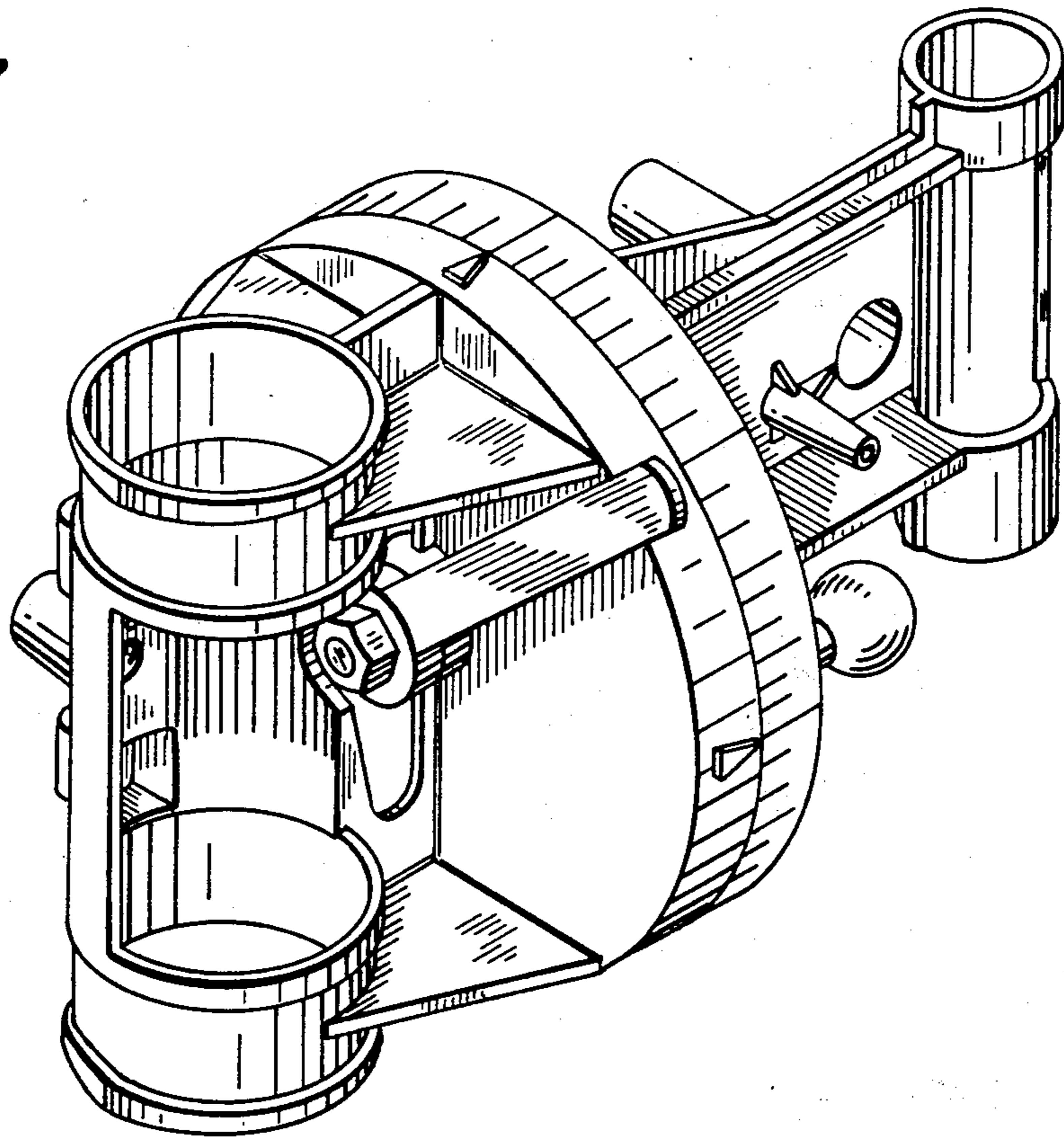


FIG-8

