

# United States Patent [19]

Rubel

[11] Patent Number: **Des. 285,195**

[45] Date of Patent: **\*\* Aug. 19, 1986**

[54] **CIGARETTE LIGHTER RECEPTACLE BODY**

[76] Inventor: **Kenneth L. Rubel**, 2141 N. Lakewood Ave., #1NF, Chicago, Ill. 60614

[\*\*] Term: **14 Years**

[21] Appl. No.: **560,432**

[22] Filed: **Dec. 12, 1983**

[52] U.S. Cl. .... **D13/24**

[58] Field of Search ..... **D13/24, 28, 13; 339/103 R, 147 R, 182, 183, 88 R, 147 C, 147 P, 103 B, 103 C, 103 M**

[56] **References Cited**

### U.S. PATENT DOCUMENTS

3,905,672 9/1975 Anhalt et al. .... 339/206 R  
3,978,581 9/1976 Minra ..... 339/182 R

4,099,820 7/1978 DeLano ..... 339/88 R  
4,180,302 12/1979 Gordon ..... 339/182 R

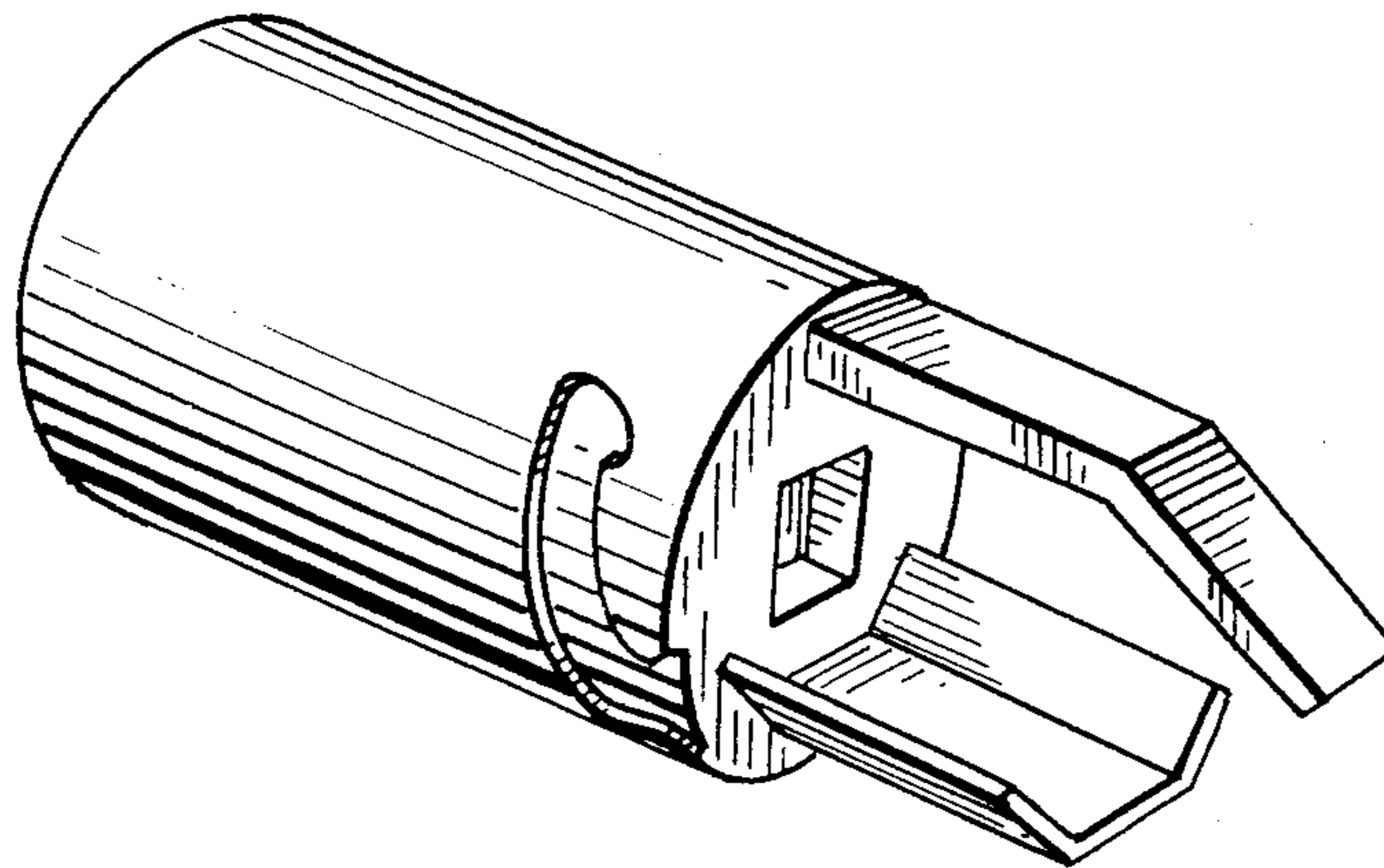
*Primary Examiner*—A. Hugo Word  
*Assistant Examiner*—Brian N. Vinson  
*Attorney, Agent, or Firm*—Eugene F. Friedman

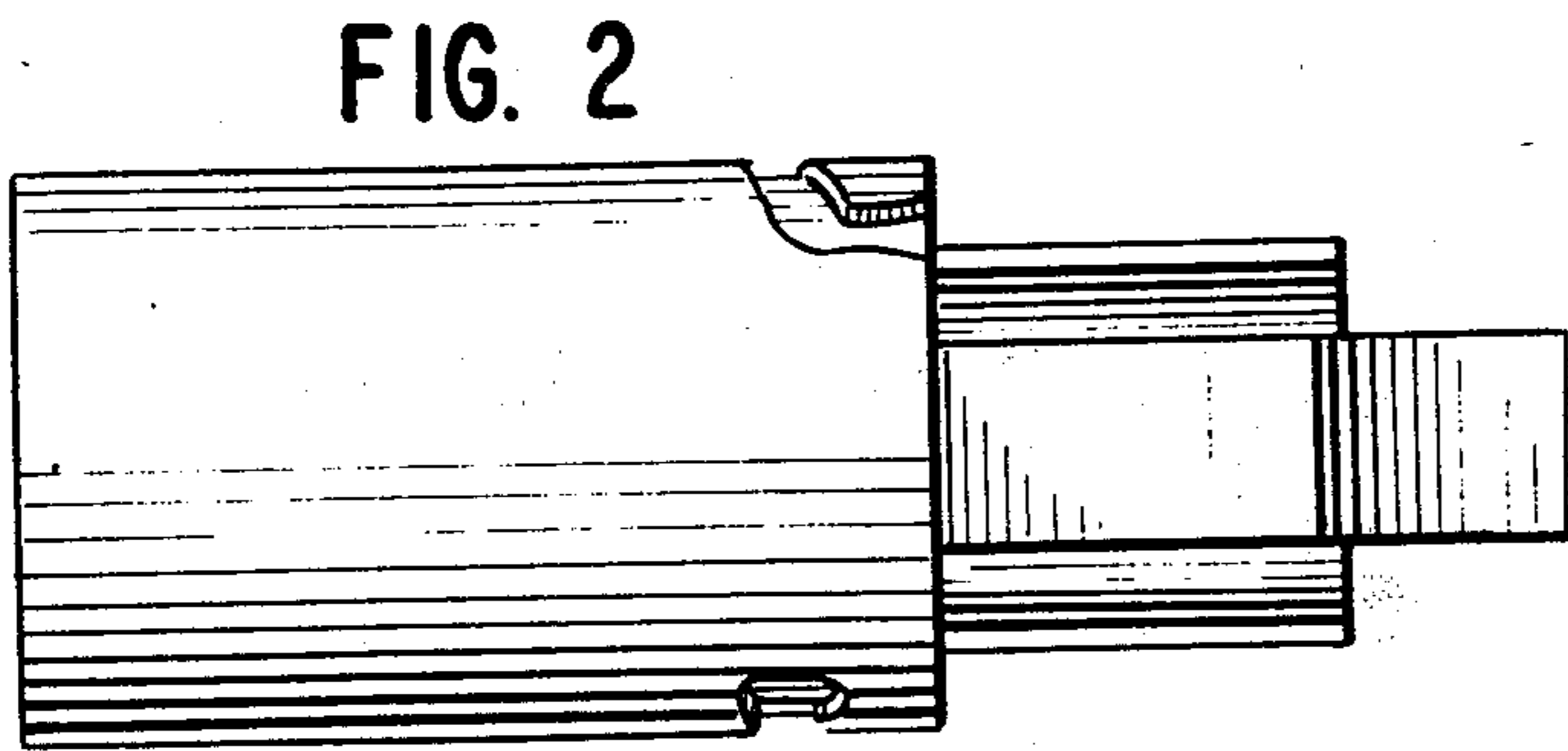
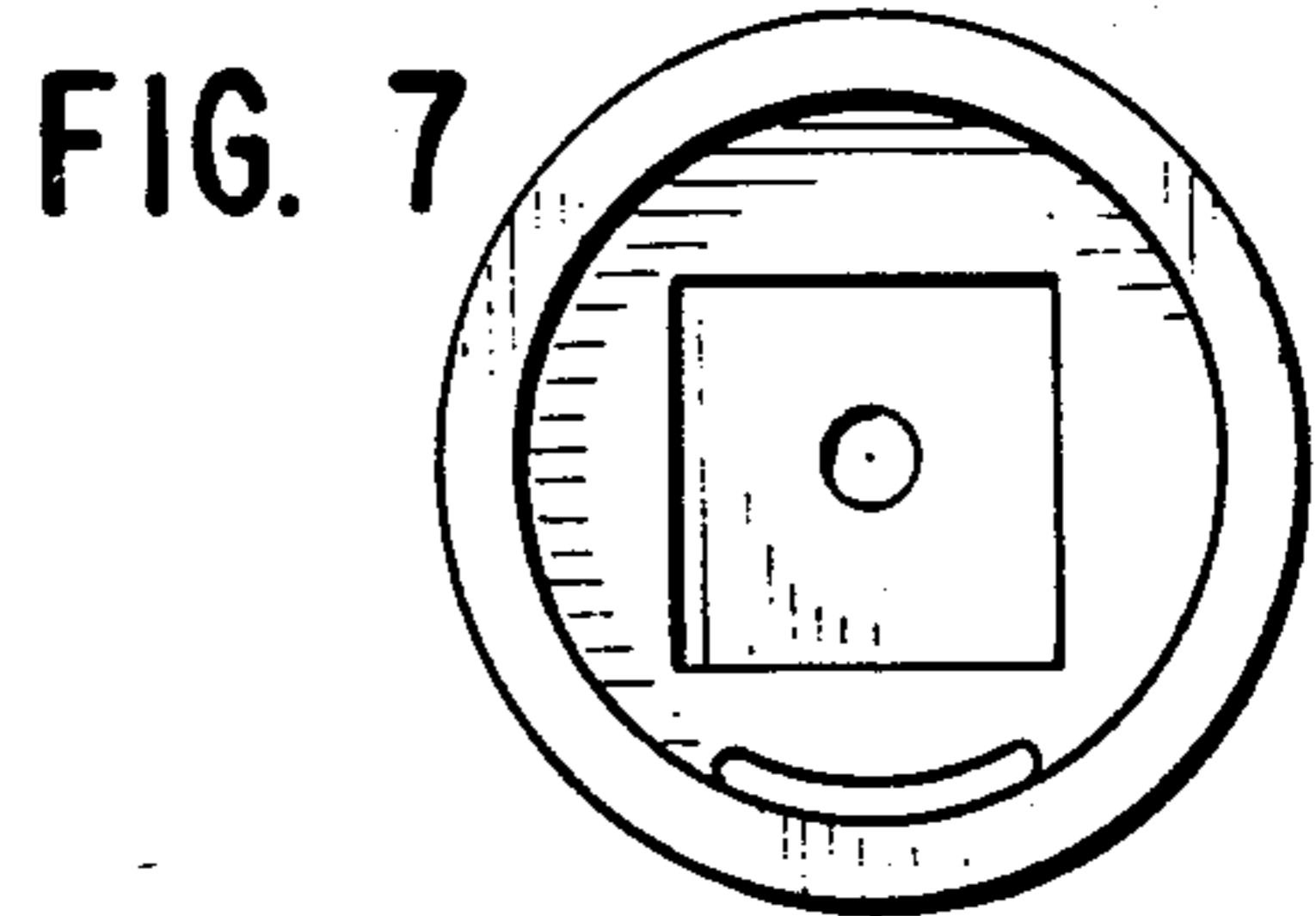
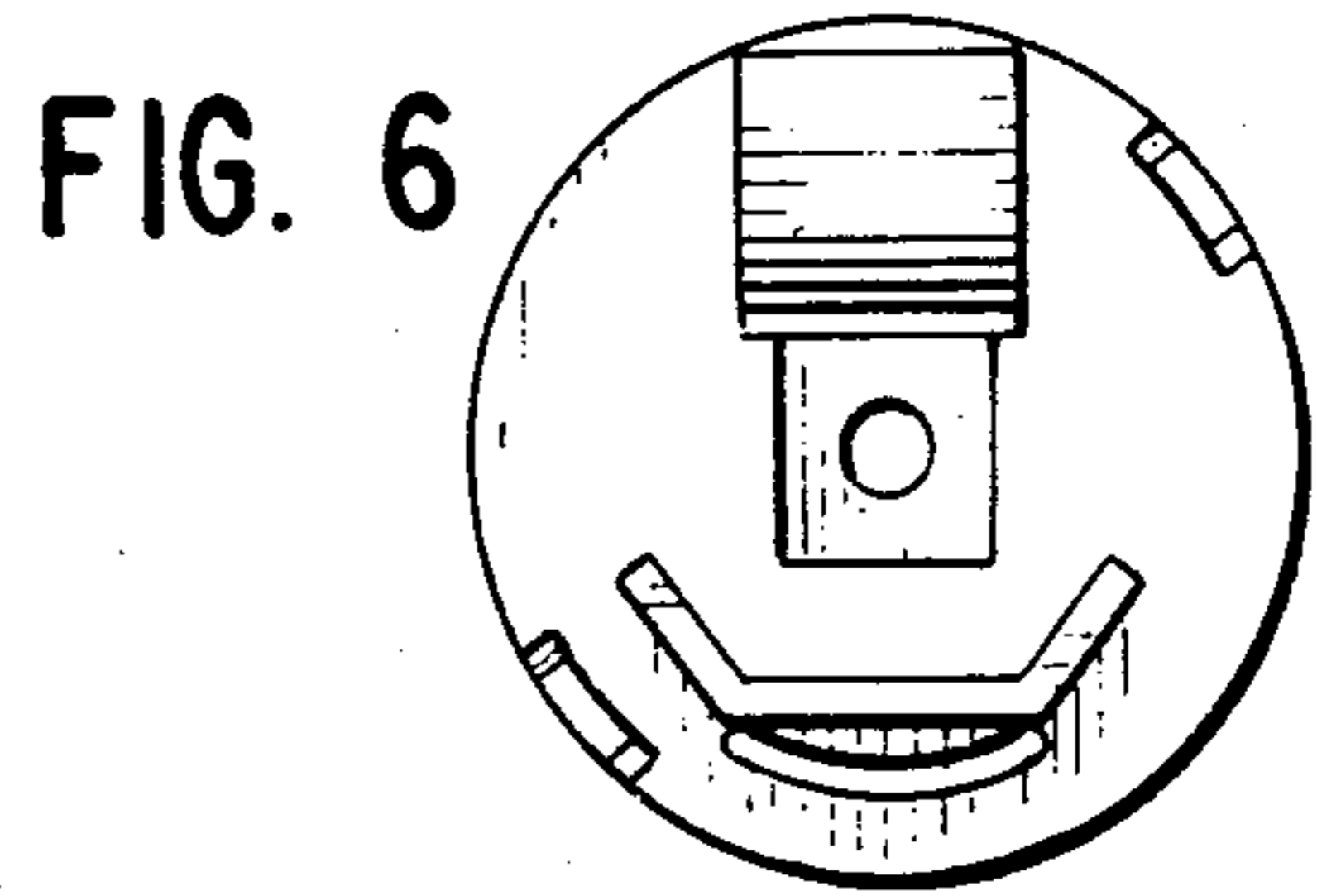
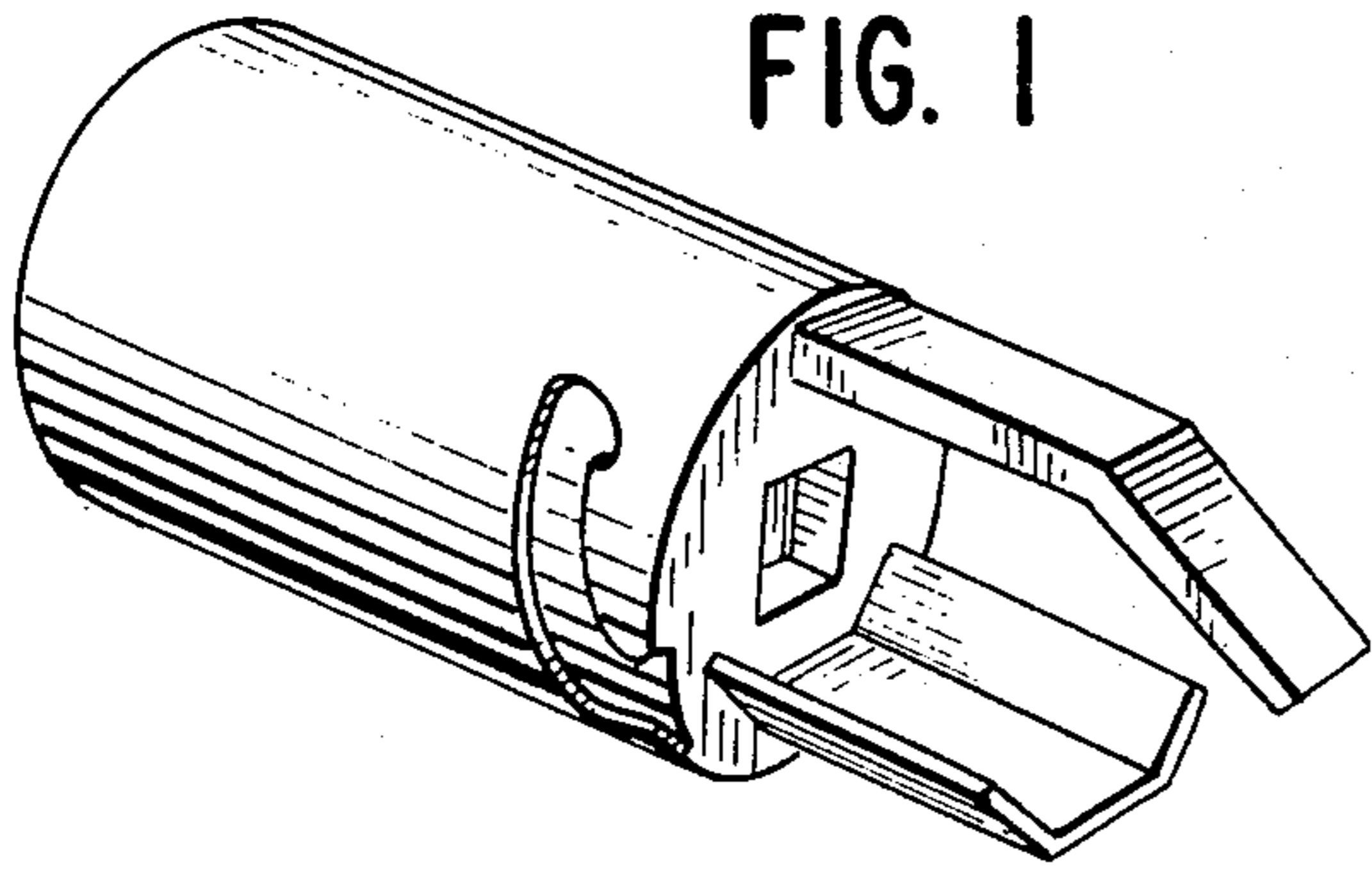
[57] **CLAIM**

The ornamental design for a cigarette lighter receptacle body, as shown and described.

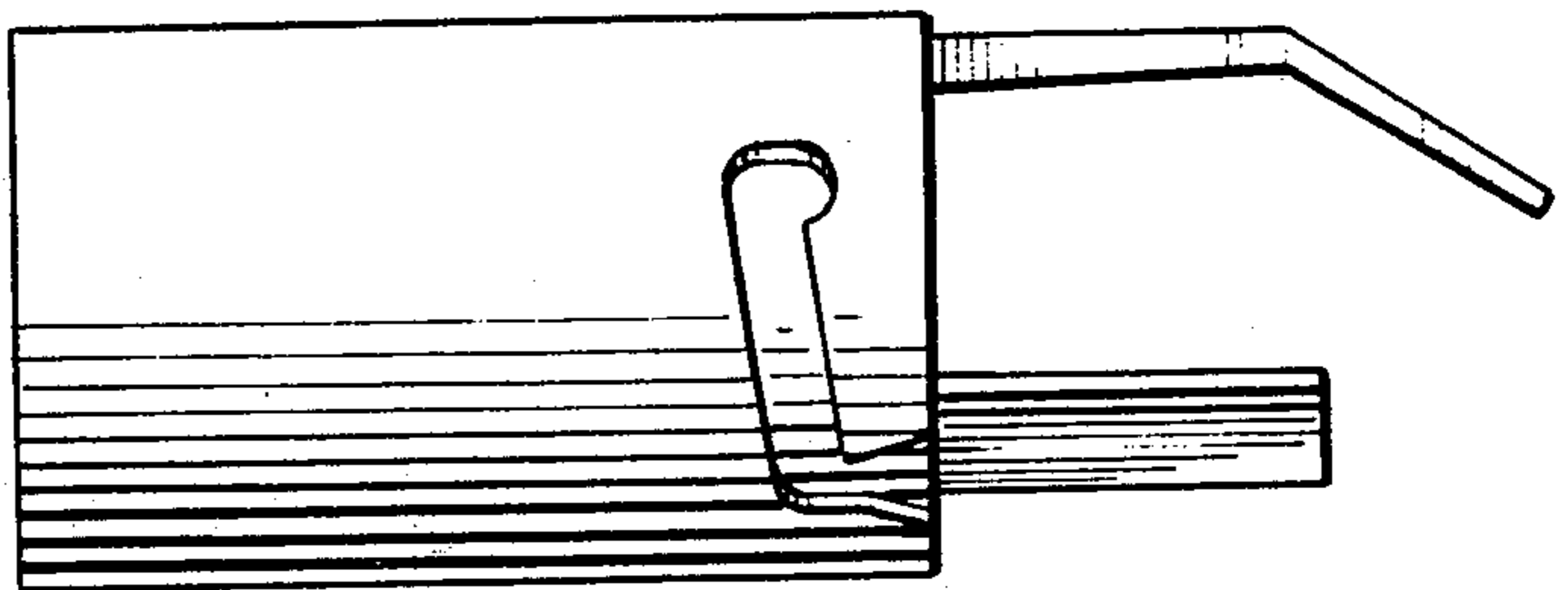
### DESCRIPTION

FIG. 1 is a perspective view of a cigarette lighter receptacle body showing my new design;  
FIG. 2 is a top plan thereof;  
FIG. 3 is a side elevation thereof;  
FIG. 4 is an opposite side elevation thereof;  
FIG. 5 is a bottom plan view thereof;  
FIG. 6 is an end elevation thereof; and  
FIG. 7 is an opposite end elevation thereof.

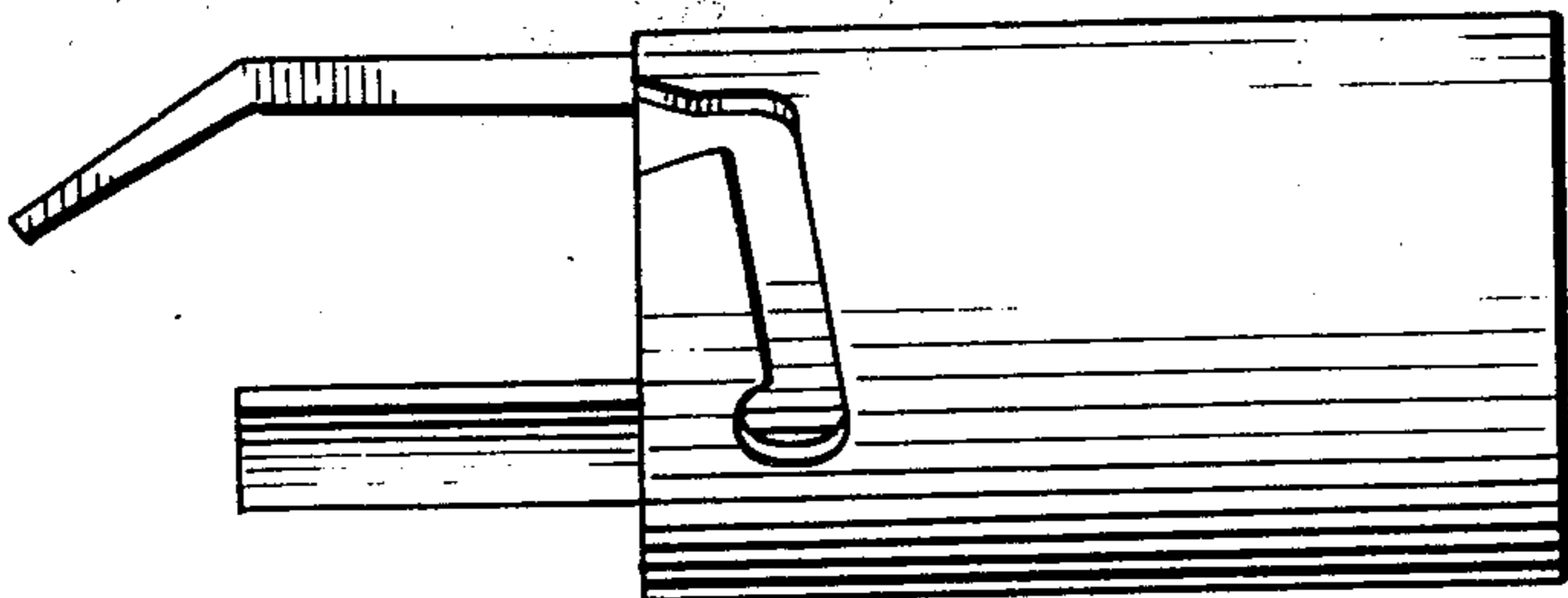




**FIG. 3**



**FIG. 4**



**FIG. 5**

