

United States Patent [19]

Moore

[11] Patent Number: **Des. 285,193**

[45] Date of Patent: **** Aug. 19, 1986**

[54] **HEAT SINK OR SIMILAR ARTICLE**

[75] Inventor: **Marvin F. Moore, Carrollton, Tex.**

[73] Assignee: **Thermalloy Incorporated, Dallas, Tex.**

[**] Term: **14 Years**

[21] Appl. No.: **595,910**

[22] Filed: **Apr. 2, 1984**

[52] U.S. Cl. **D13/23**

[58] Field of Search **D13/23; 174/16 HS; 357/81; 165/80.1, 80.2, 80.3, 185**

[56] **References Cited**

U.S. PATENT DOCUMENTS

D. 269,606 7/1983 Jordan et al. **D13/23**

D. 280,811 10/1985 Moore **D13/23**

Primary Examiner—Susan J. Lucas

Attorney, Agent, or Firm—Kanz, Scherback & Timmons

[57] **CLAIM**

The ornamental design for heat sink or similar article, as shown and described.

DESCRIPTION

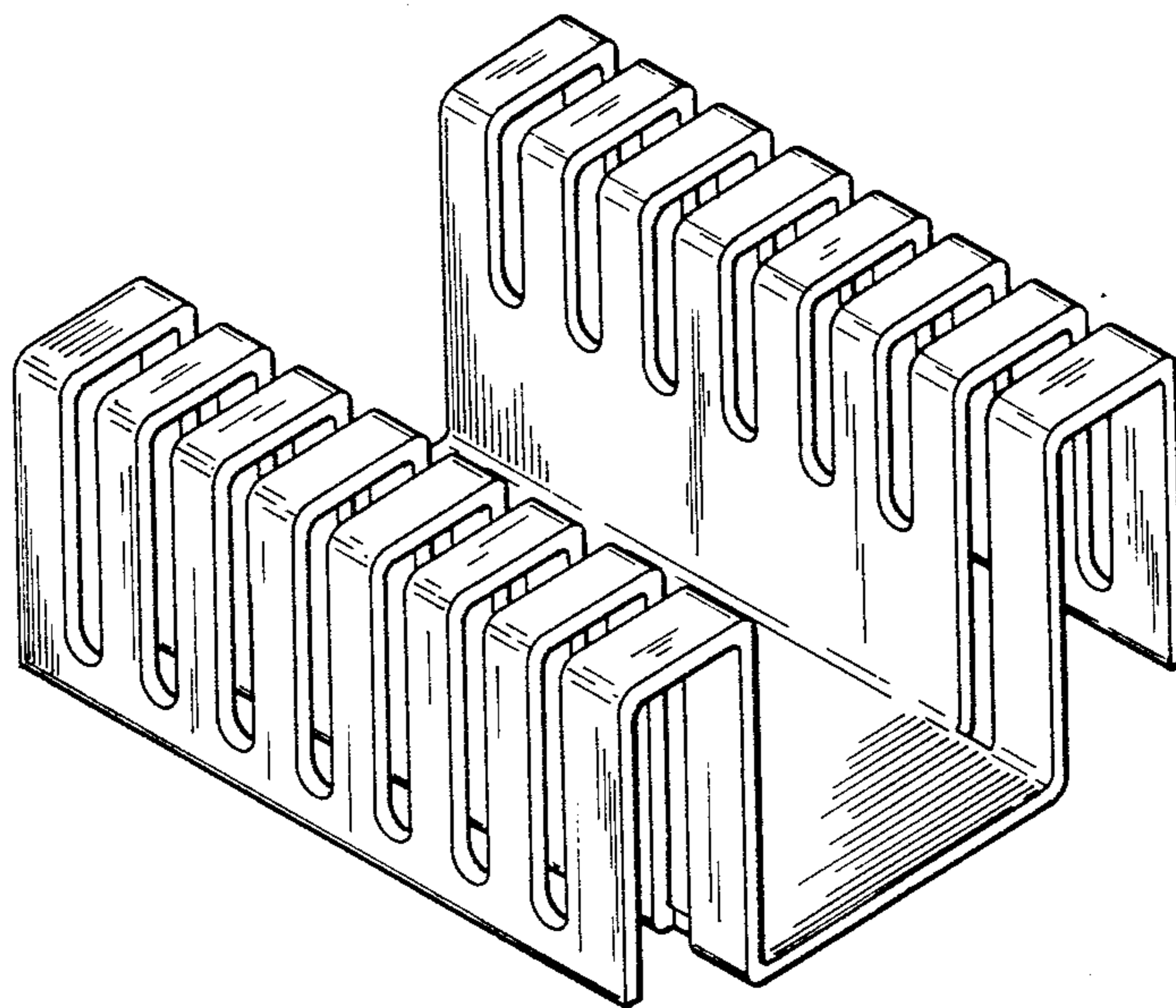
FIG. 1 is a perspective view of a heat sink or similar article showing my new design;

FIG. 2 is a top plan view thereof;

FIG. 3 is a bottom plan view thereof;

FIG. 4 is a side elevational view thereof, the opposite side being a mirror image; and

FIG. 5 is an end elevational view thereof, the opposite end being a mirror image.



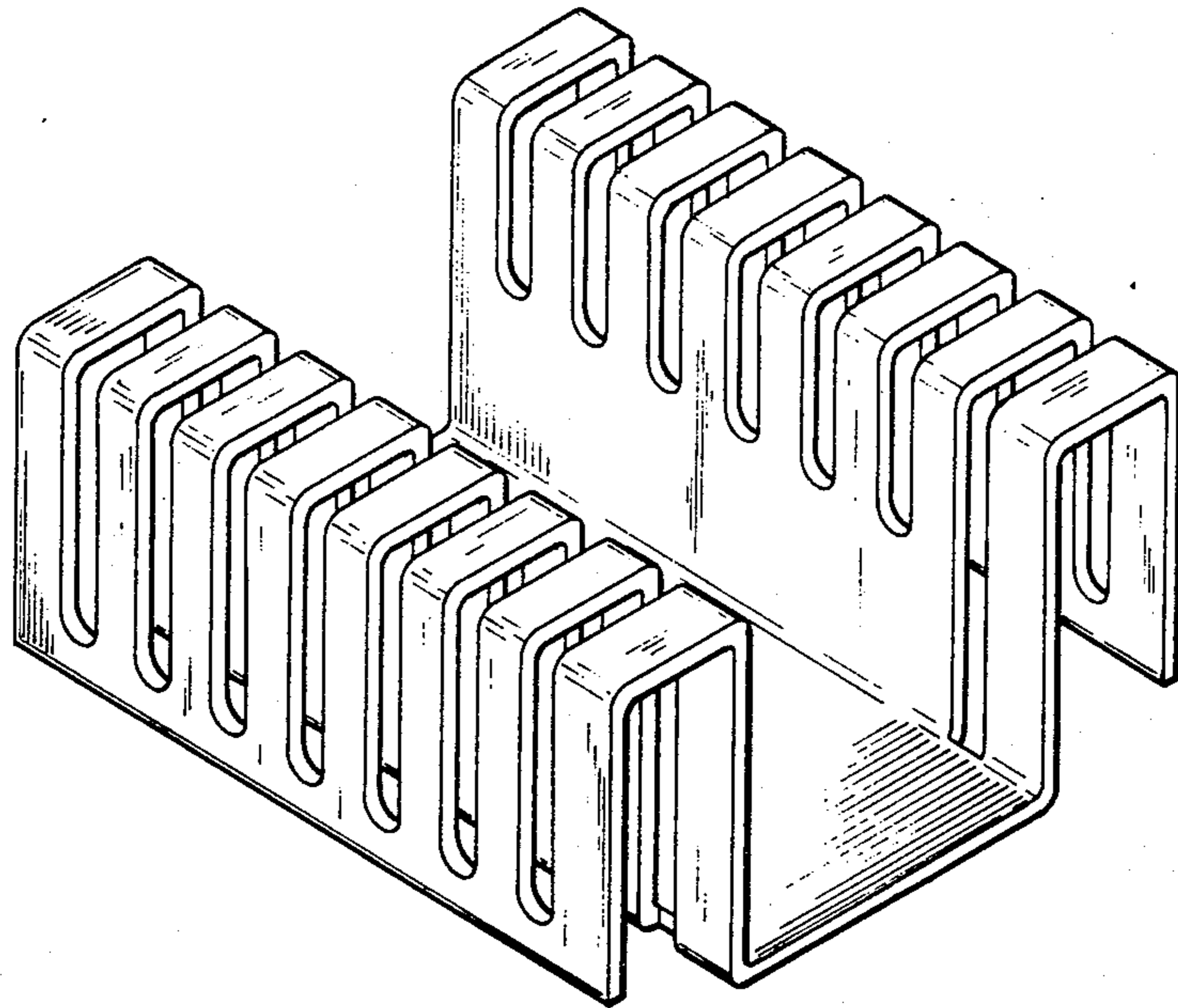


FIG. 1

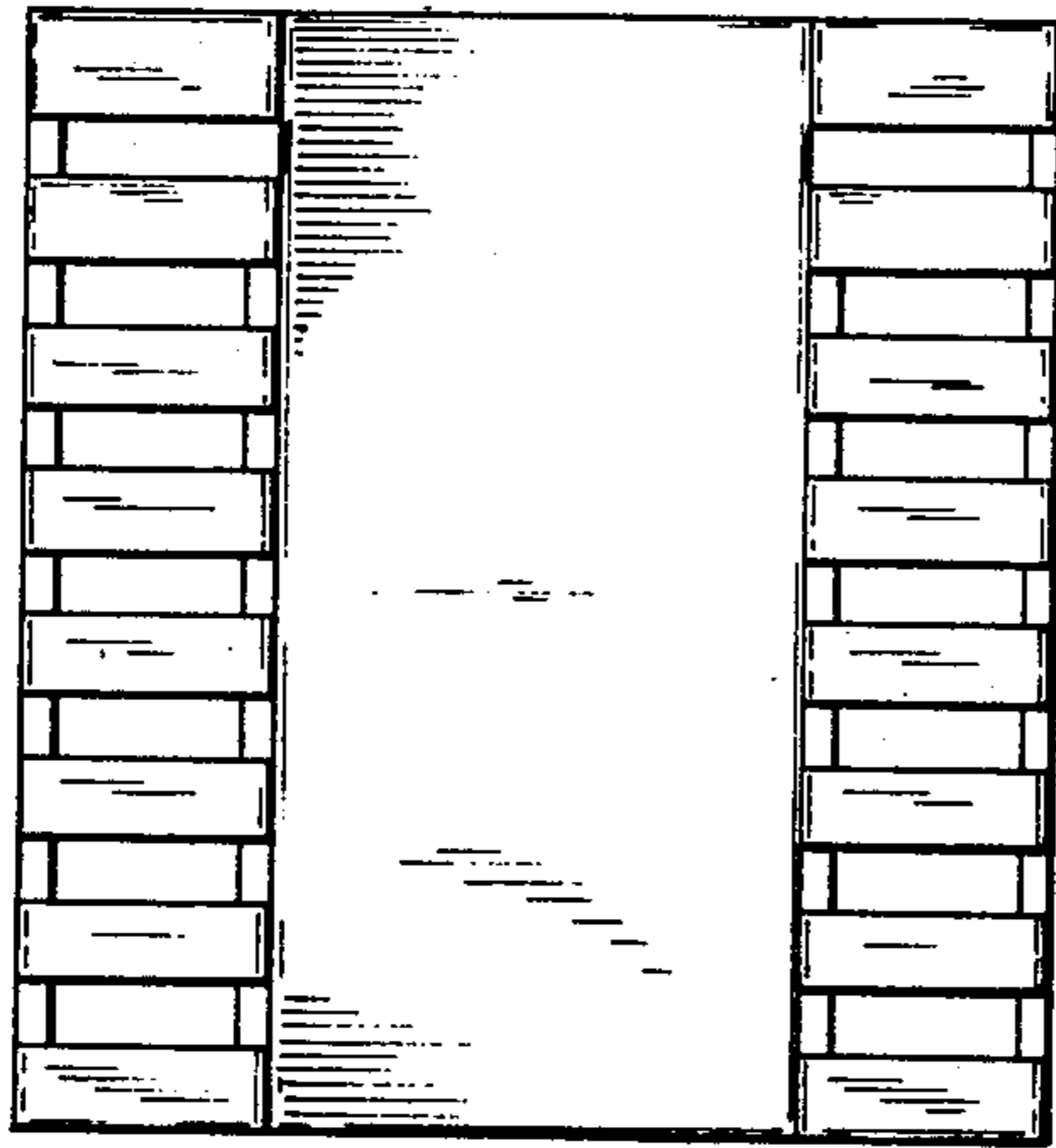


FIG. 2

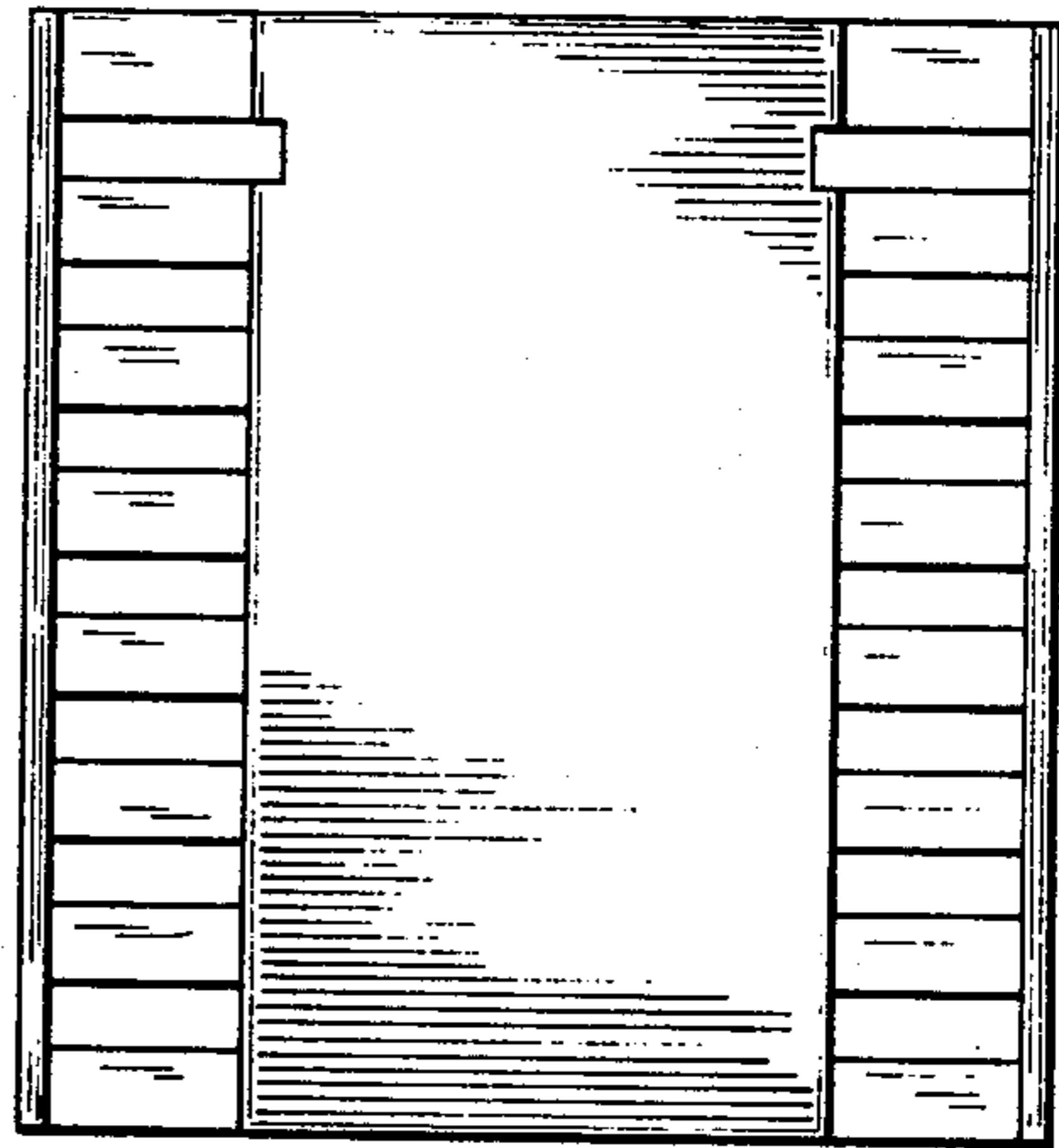


FIG. 3

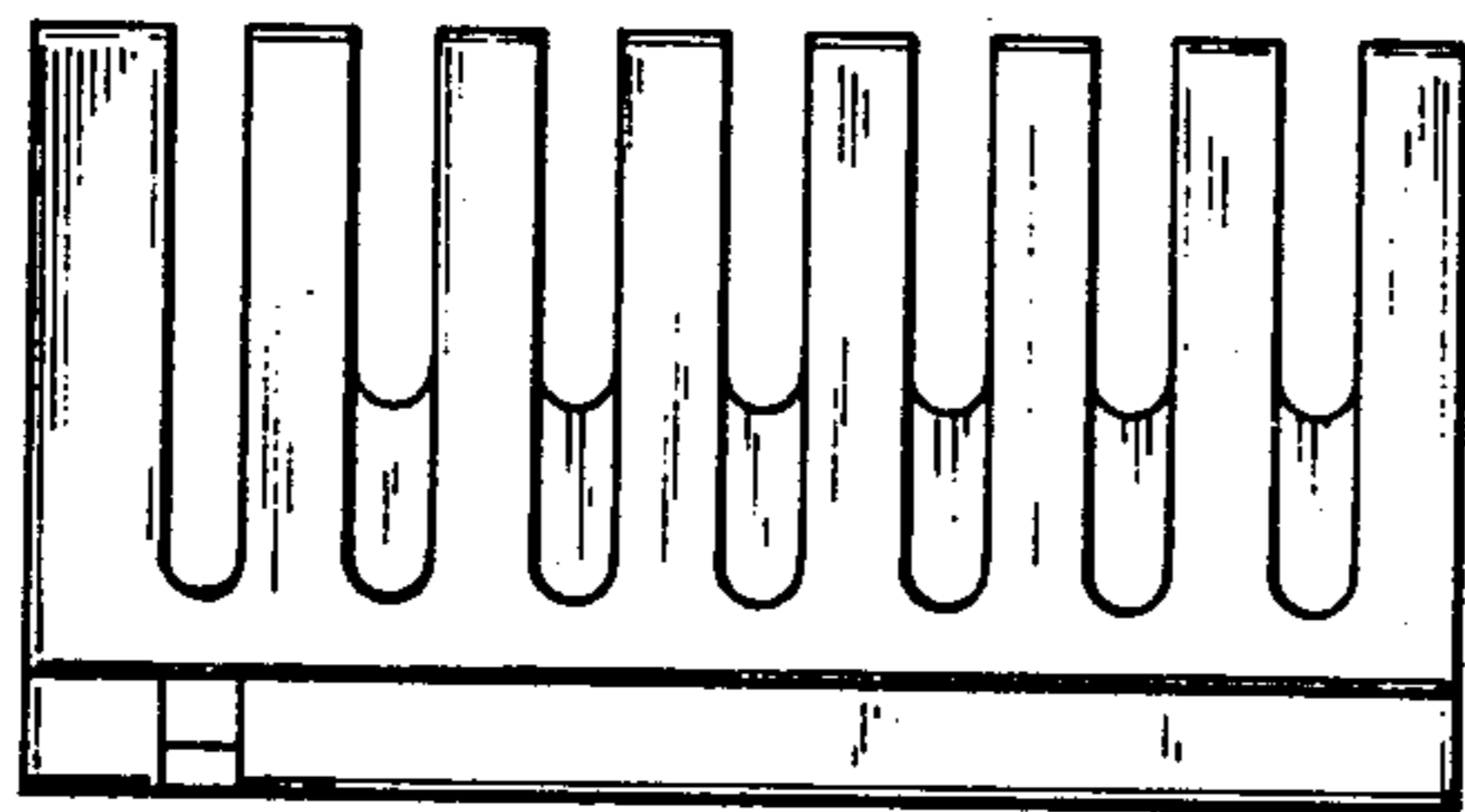


FIG. 4

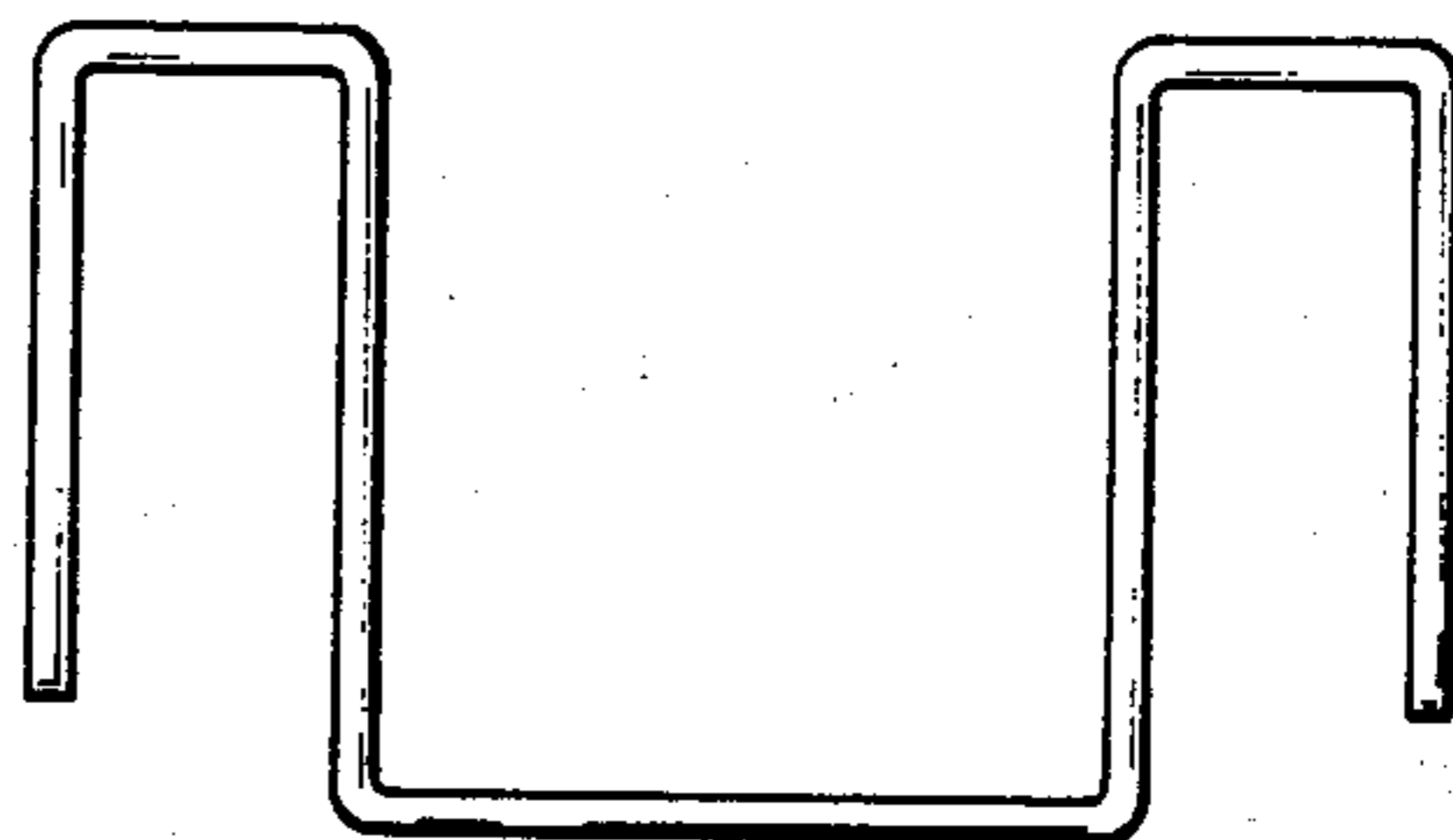


FIG. 5