

# United States Patent [19]

Hubbard et al.

[11] Patent Number: **Des. 285,192**

[45] Date of Patent: **\*\* Aug. 19, 1986**

[54] **UNDERGROUND CONDUIT**

[75] Inventors: **Charles E. Hubbard**, Harper Woods;  
**Donald E. Berkemeier**, Bloomfield Hills, both of Mich.

[73] Assignee: **LOF Plastics Inc.**, Troy, Mich.

[\*\*] Term: **14 Years**

[21] Appl. No.: **558,102**

[22] Filed: **Dec. 5, 1983**

[52] U.S. Cl. .... **D13/13; D25/74**

[58] Field of Search ..... **D13/12, 13; 339/20, 339/21 R, 22 R; 138/115, 111; 285/188; 174/48; D25/74**

[56] **References Cited**

**U.S. PATENT DOCUMENTS**

D. 175,586 9/1955 Cataldo ..... D13/13  
220,765 10/1879 Linford ..... 138/115 X  
3,004,330 10/1961 Wilkins ..... 138/115

4,137,424 1/1979 Hesse et al. .... 339/21 R  
4,454,692 6/1984 Ault ..... 174/48  
4,479,687 10/1984 Humphreys et al. .... 339/21 R

**OTHER PUBLICATIONS**

Sunlight Plastics Extrusions brochure, Item A, p. 1.

*Primary Examiner*—A. Hugo Word

*Assistant Examiner*—Brian N. Vinson

*Attorney, Agent, or Firm*—Phillip S. Oberlin

[57] **CLAIM**

The ornamental design for an underground conduit, as shown and described.

**DESCRIPTION**

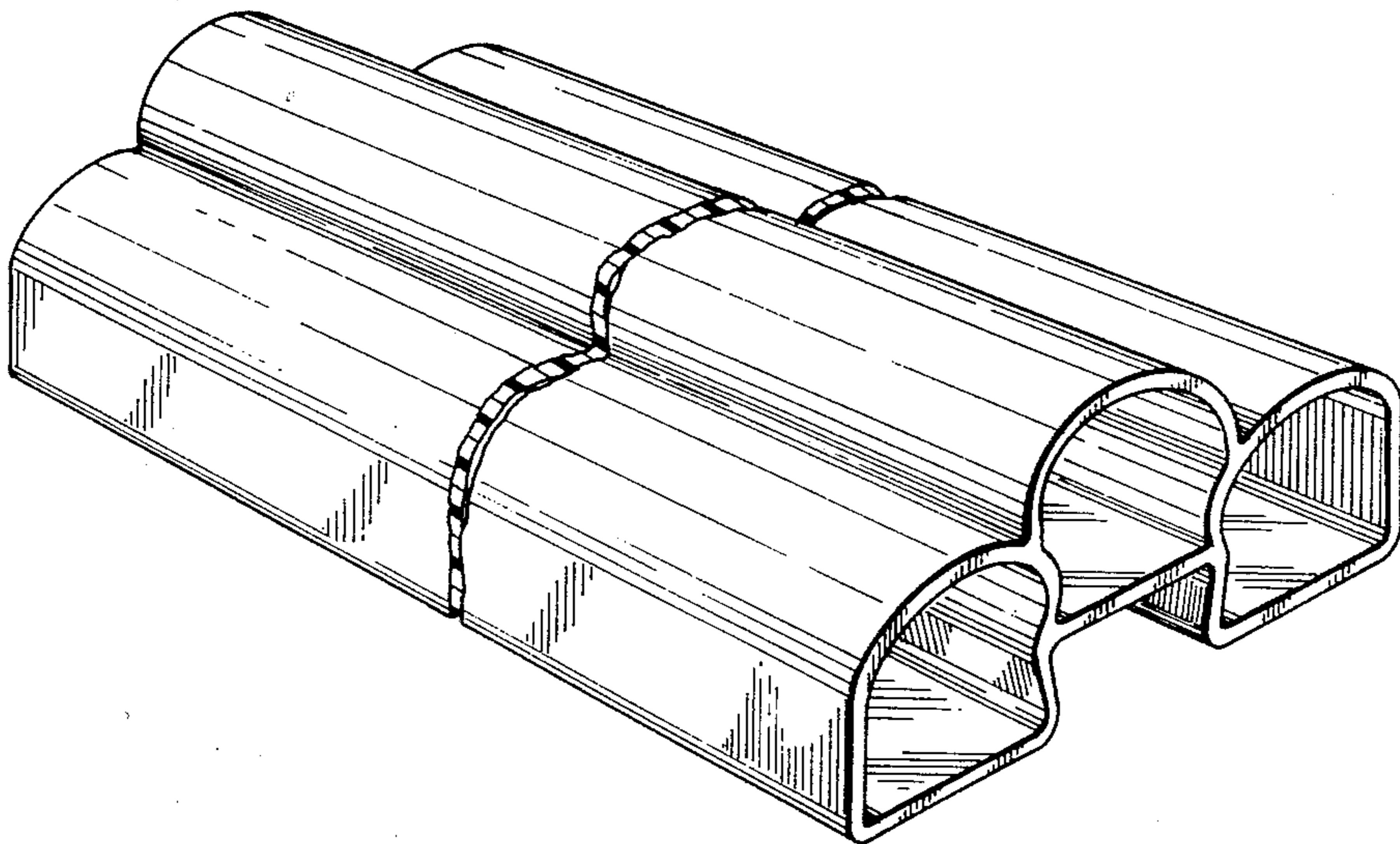
FIG. 1 is a perspective view of an underground conduit showing our new design, the center thereof shown broken-away to indicate indeterminate length;

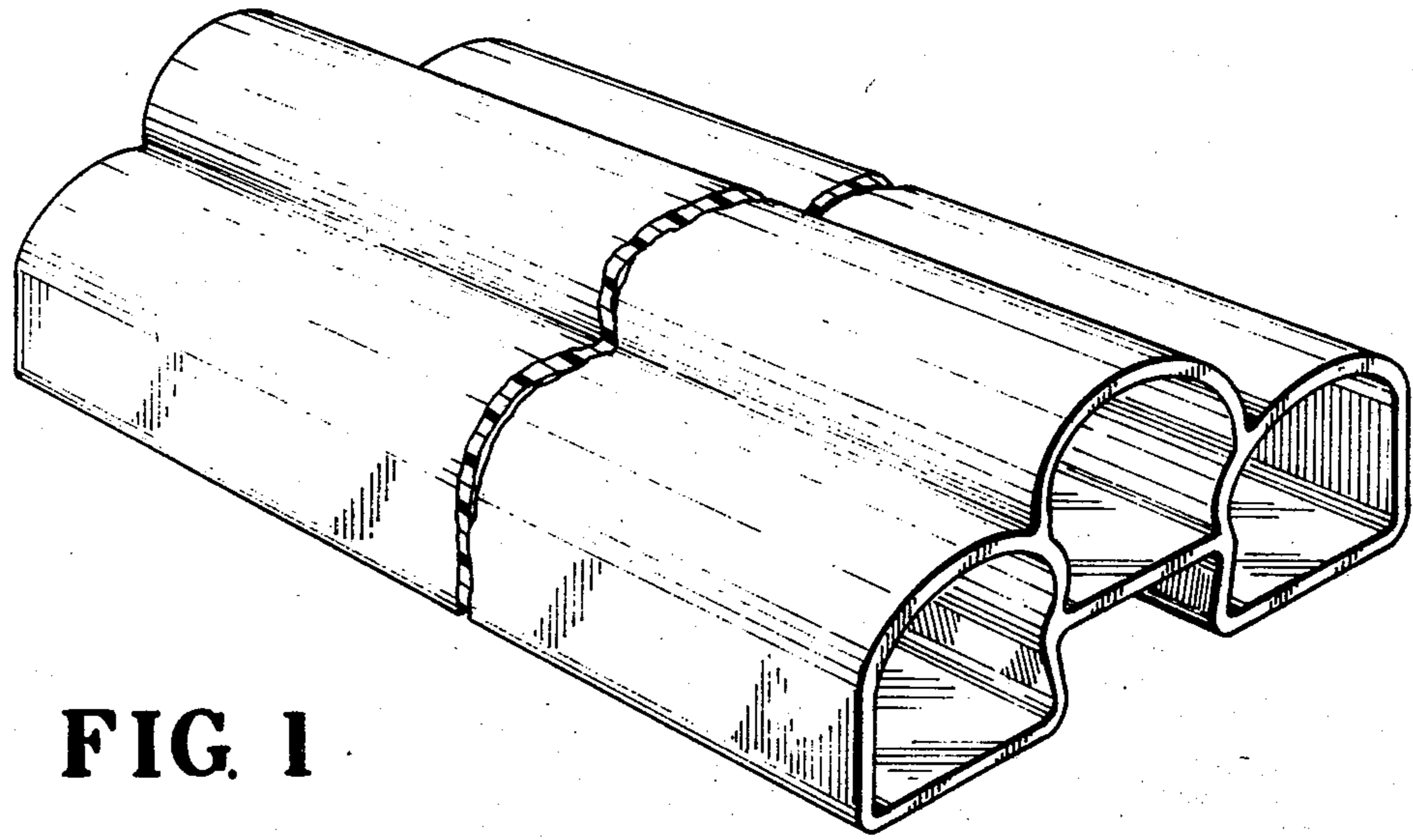
FIG. 2 is a front elevational view thereof;

FIG. 3 is an end elevational view thereof;

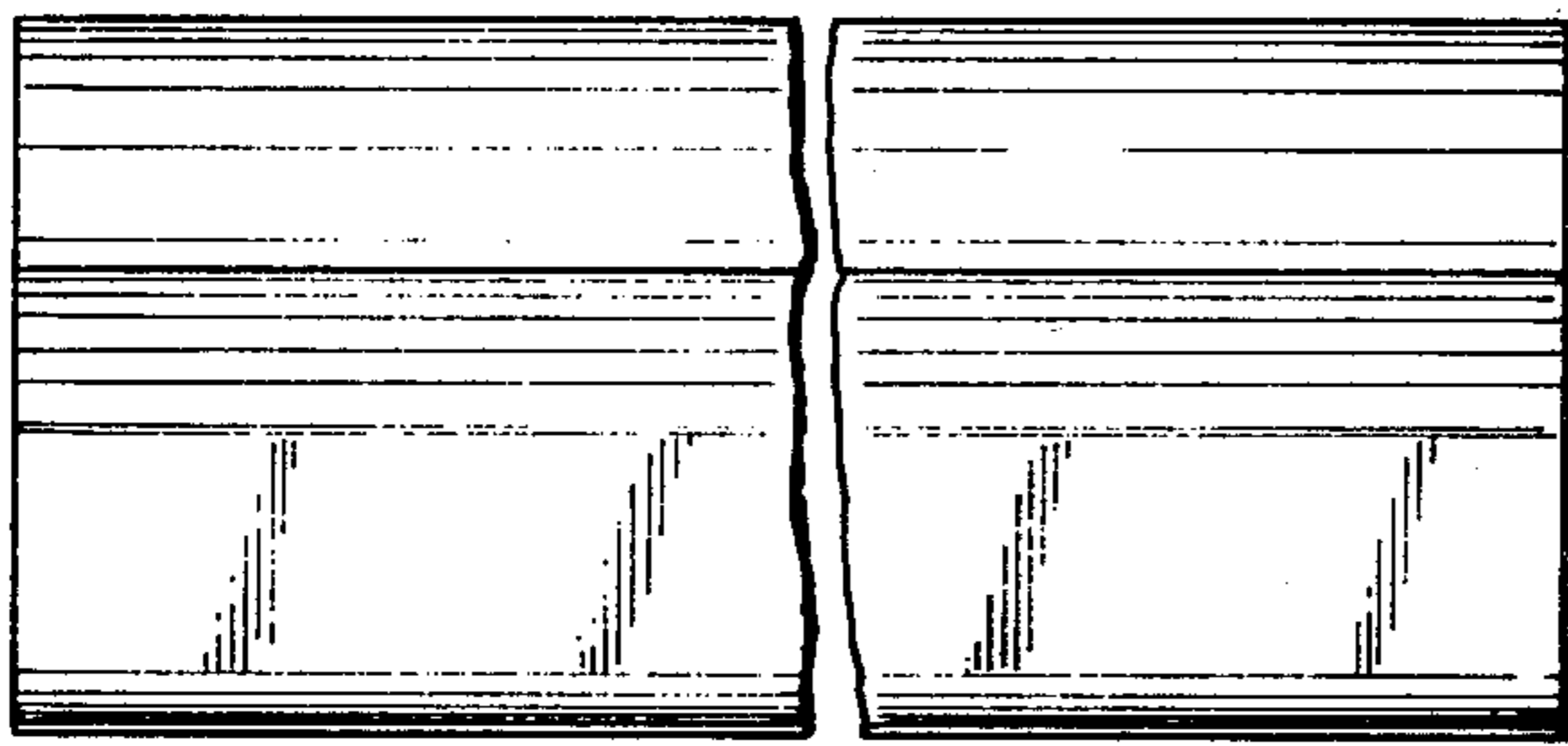
FIG. 4 is a top plan view thereof; and

FIG. 5 is a bottom plan view thereof.

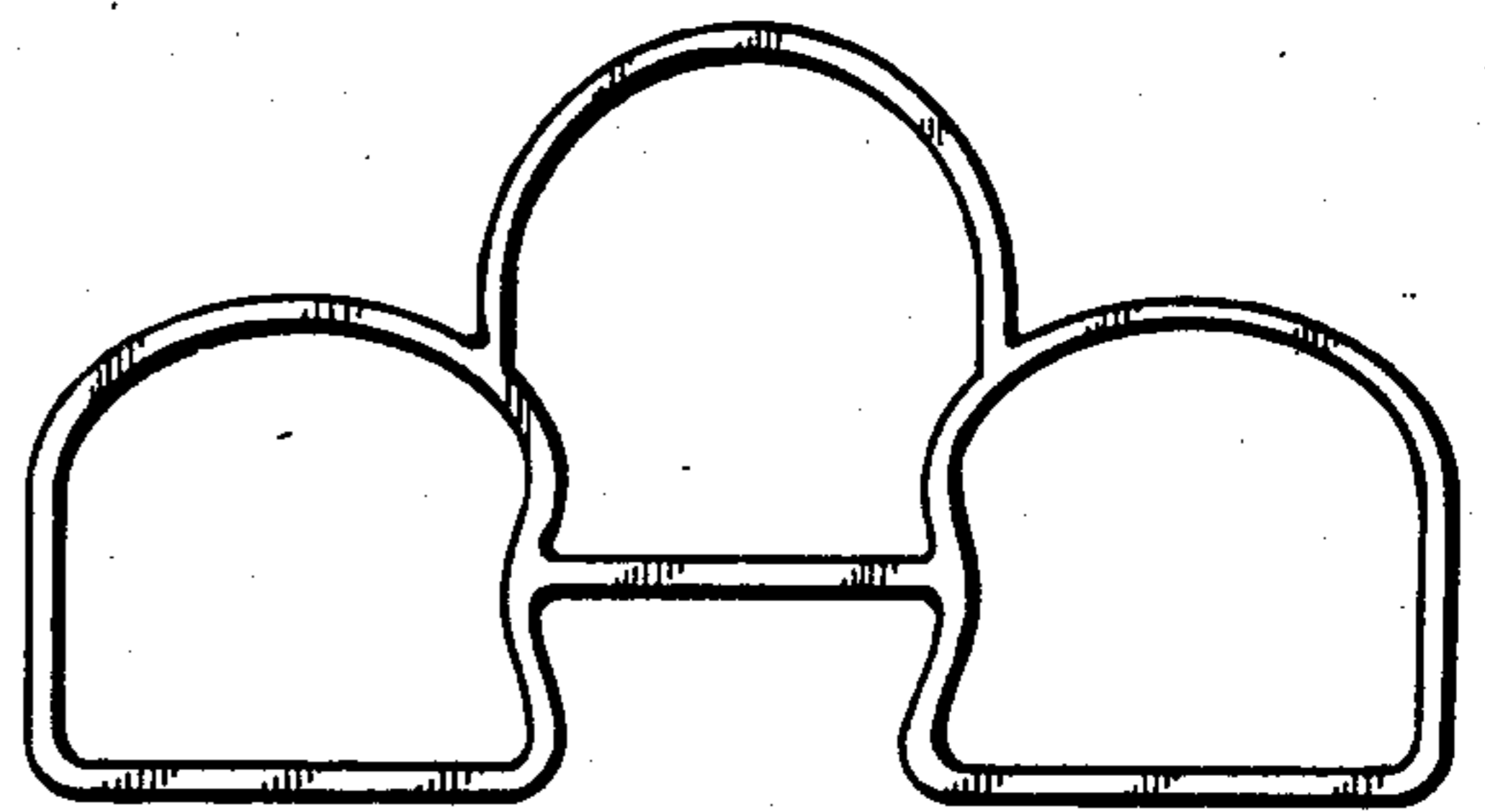




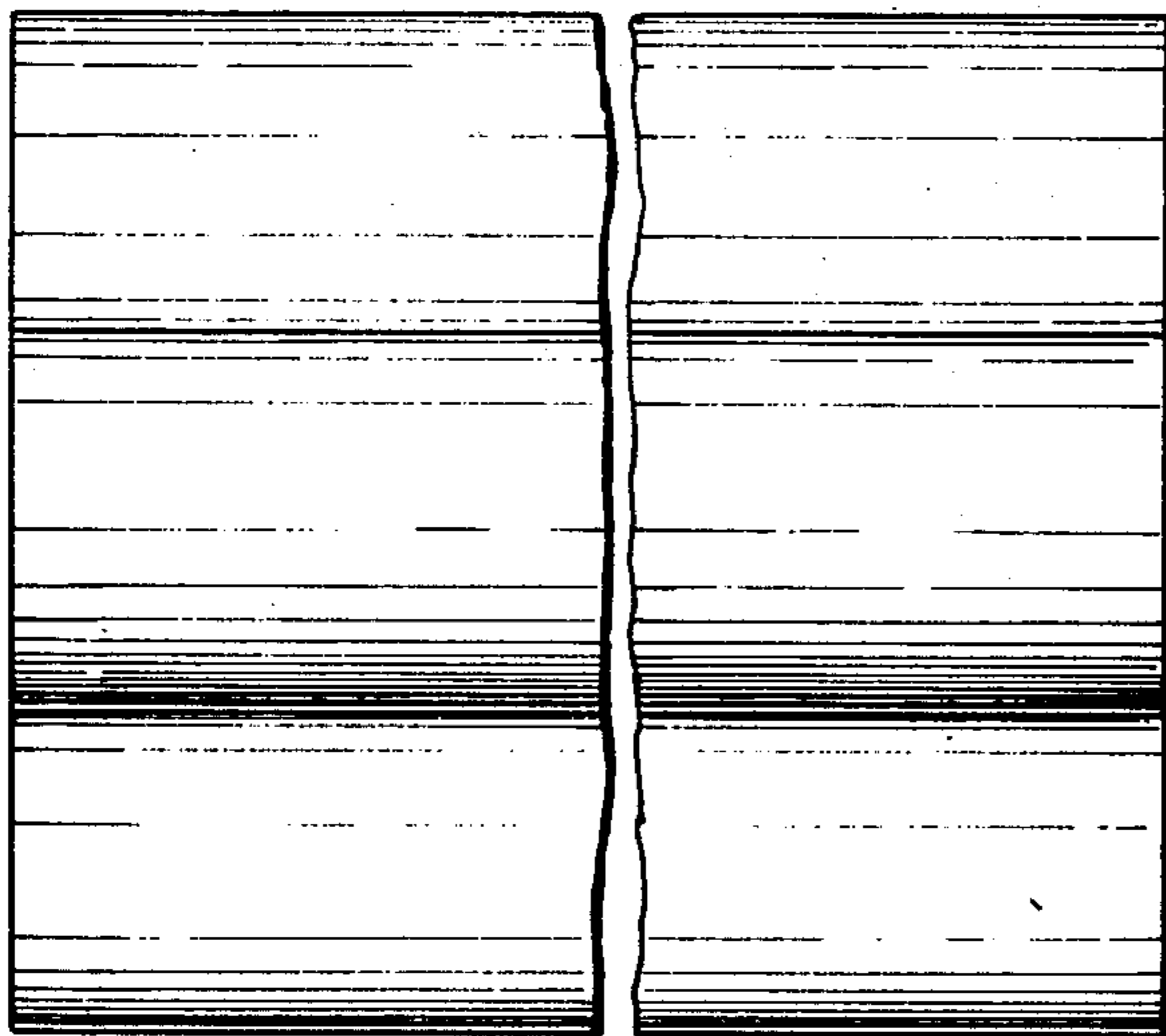
**FIG. 1**



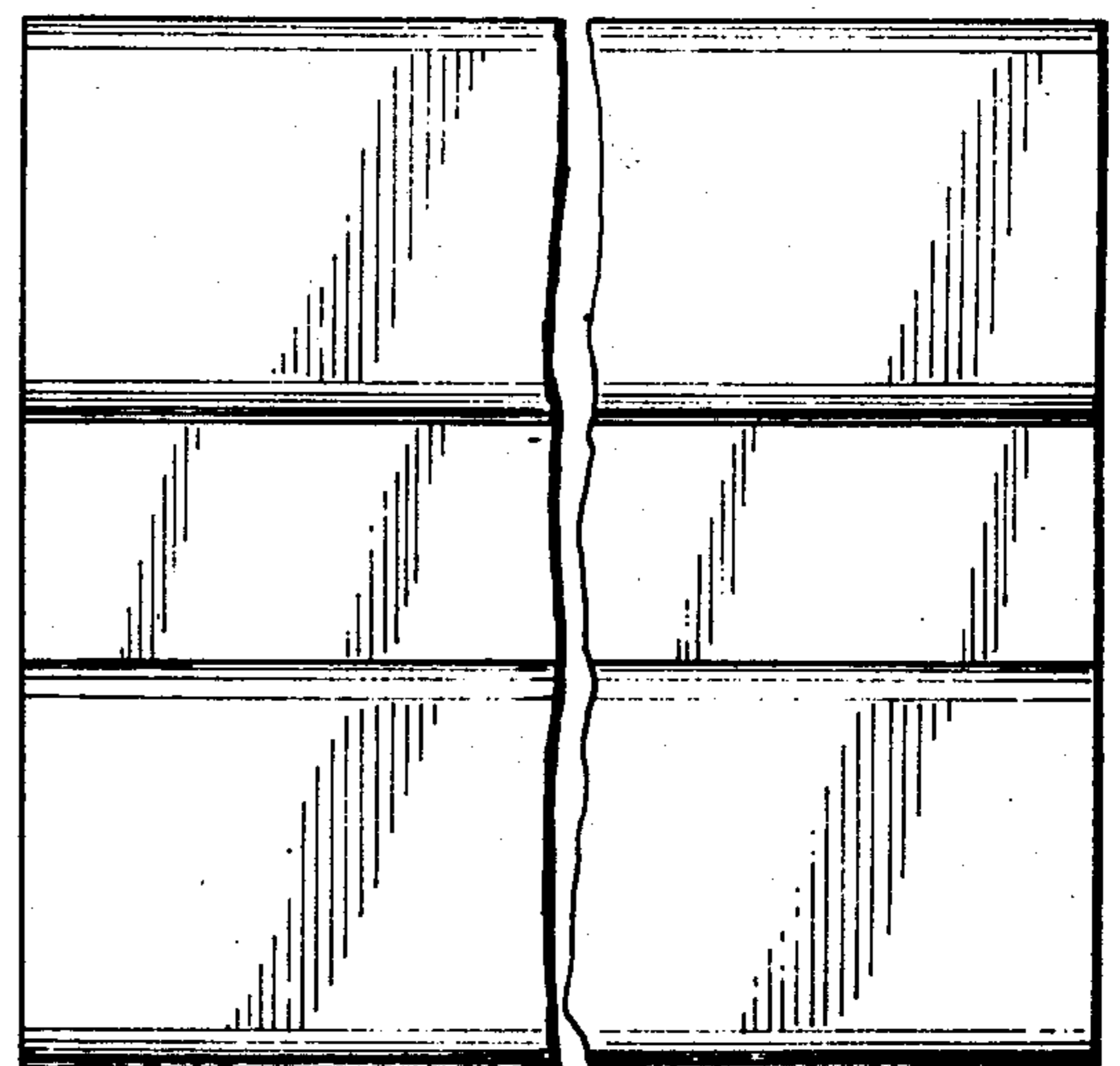
**FIG. 2**



**FIG. 3**



**FIG. 4**



**FIG. 5**