

United States Patent [19]

Humphreys et al.

[11] Patent Number: **Des. 285,191**

[45] Date of Patent: **** Aug. 19, 1986**

[54] **ELECTRIC STORAGE BATTERY**

[75] Inventors: **John K. Humphreys, Whitefield;**
Joseph Valentine, Egerton, both of
England

[73] Assignee: **Chloride Group Public Limited**
Company, London, England

[**] Term: **14 Years**

[21] Appl. No.: **553,055**

[22] Filed: **Nov. 18, 1983**

[30] **Foreign Application Priority Data**
Oct. 5, 1983 [GN] United Kingdom 1015510

[52] U.S. Cl. **D13/8**

[58] Field of Search **D13/2, 8-12,**
D13/40-41; 429/48, 96, 100, 187; 320/2-5;
307/150

[56]

References Cited

U.S. PATENT DOCUMENTS

1,796,343 3/1931 Pierson D13/9

Primary Examiner—Wallace R. Burke
Assistant Examiner—Ruth Takemoto
Attorney, Agent, or Firm—Finnegan, Henderson,
Farabow, Garrett & Dunner

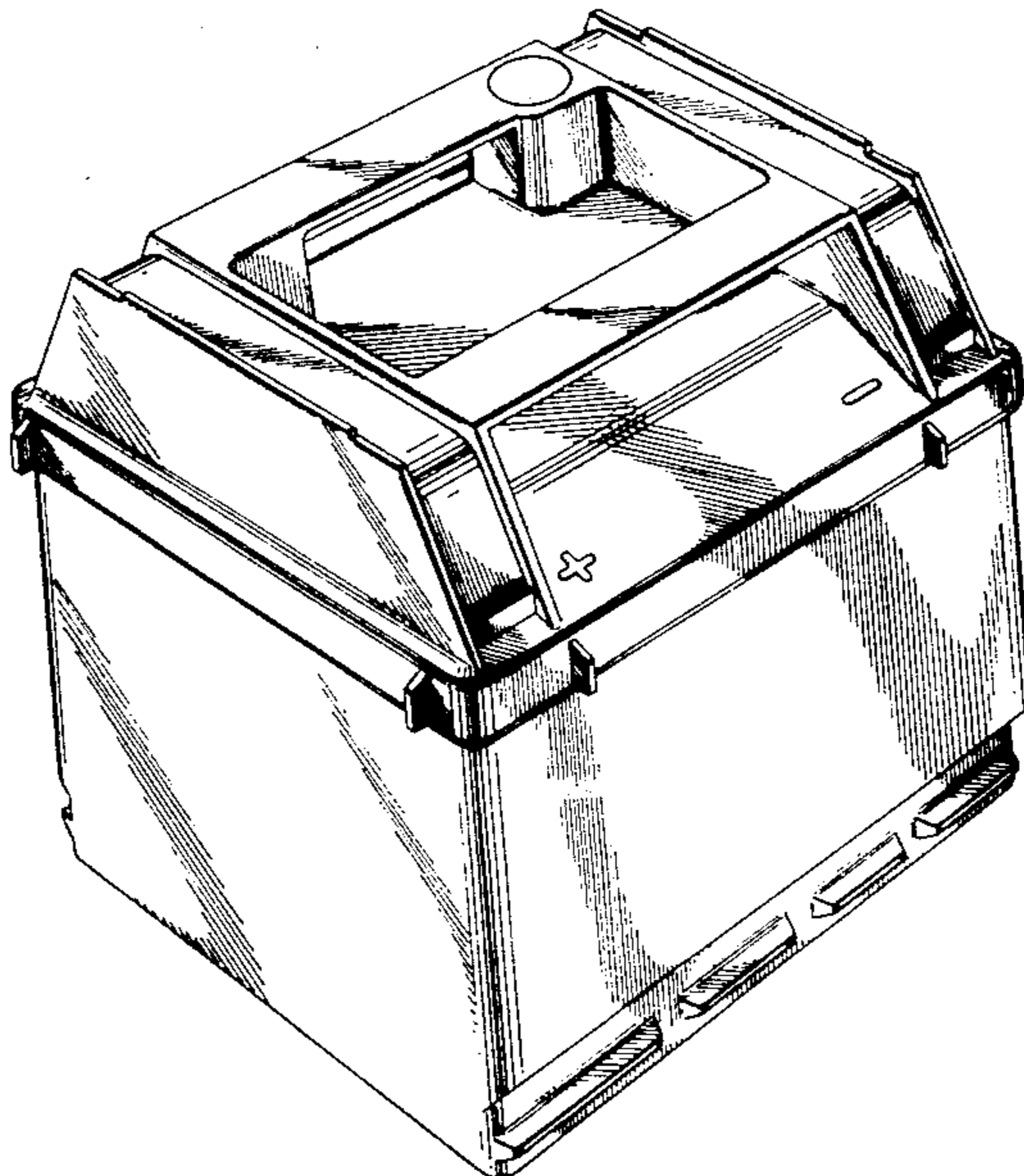
[57]

CLAIM

The ornamental design for an electric storage battery,
as shown.

DESCRIPTION

FIG. 1 is a perspective view from above one side and
one end of an electric storage battery;
FIG. 2 is a top plan view thereof;
FIG. 3 is an elevational view from the other side of
FIG. 1; and
FIG. 4 is a side elevational view from the other end of
FIG. 1.



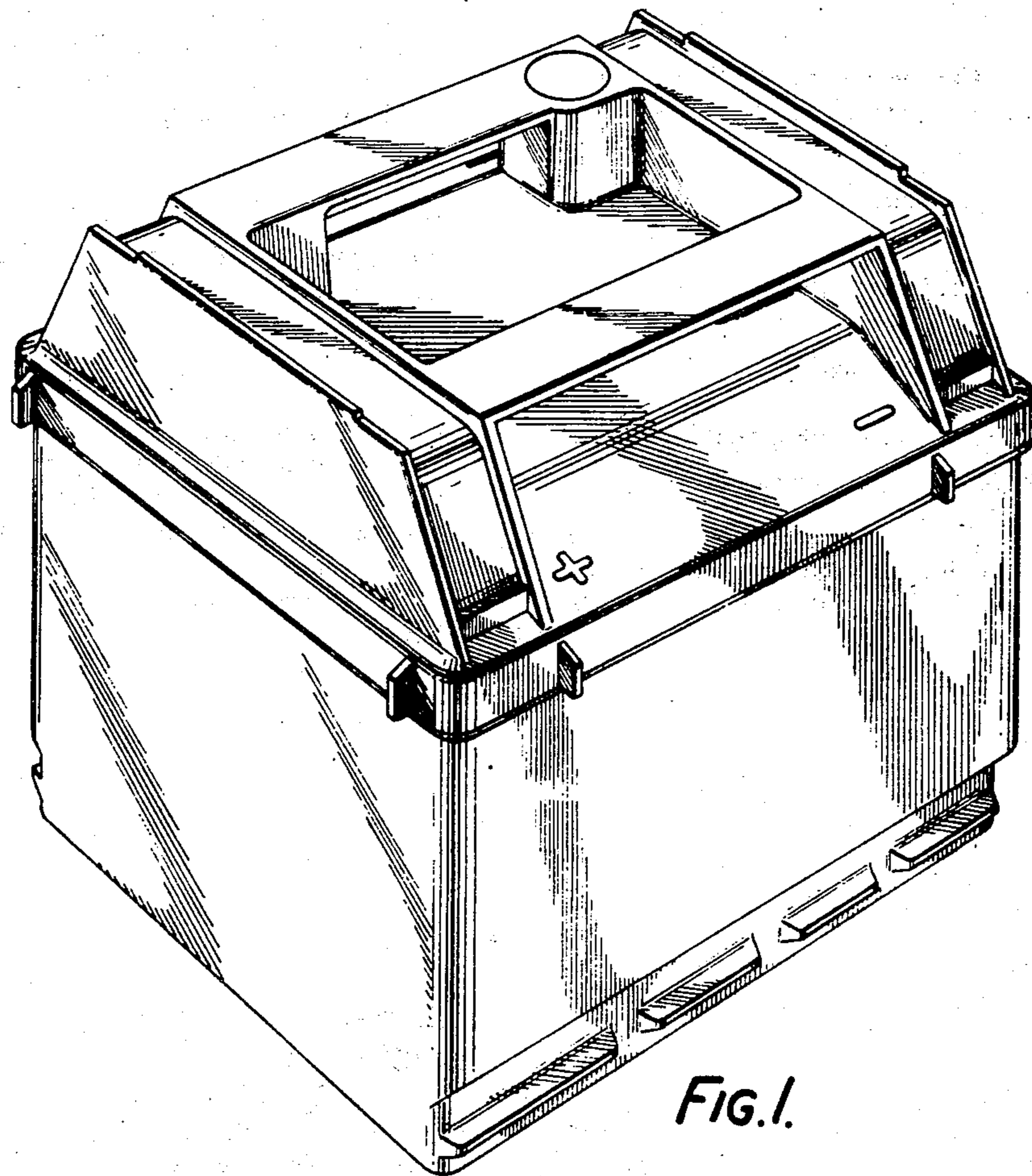


FIG. 1.

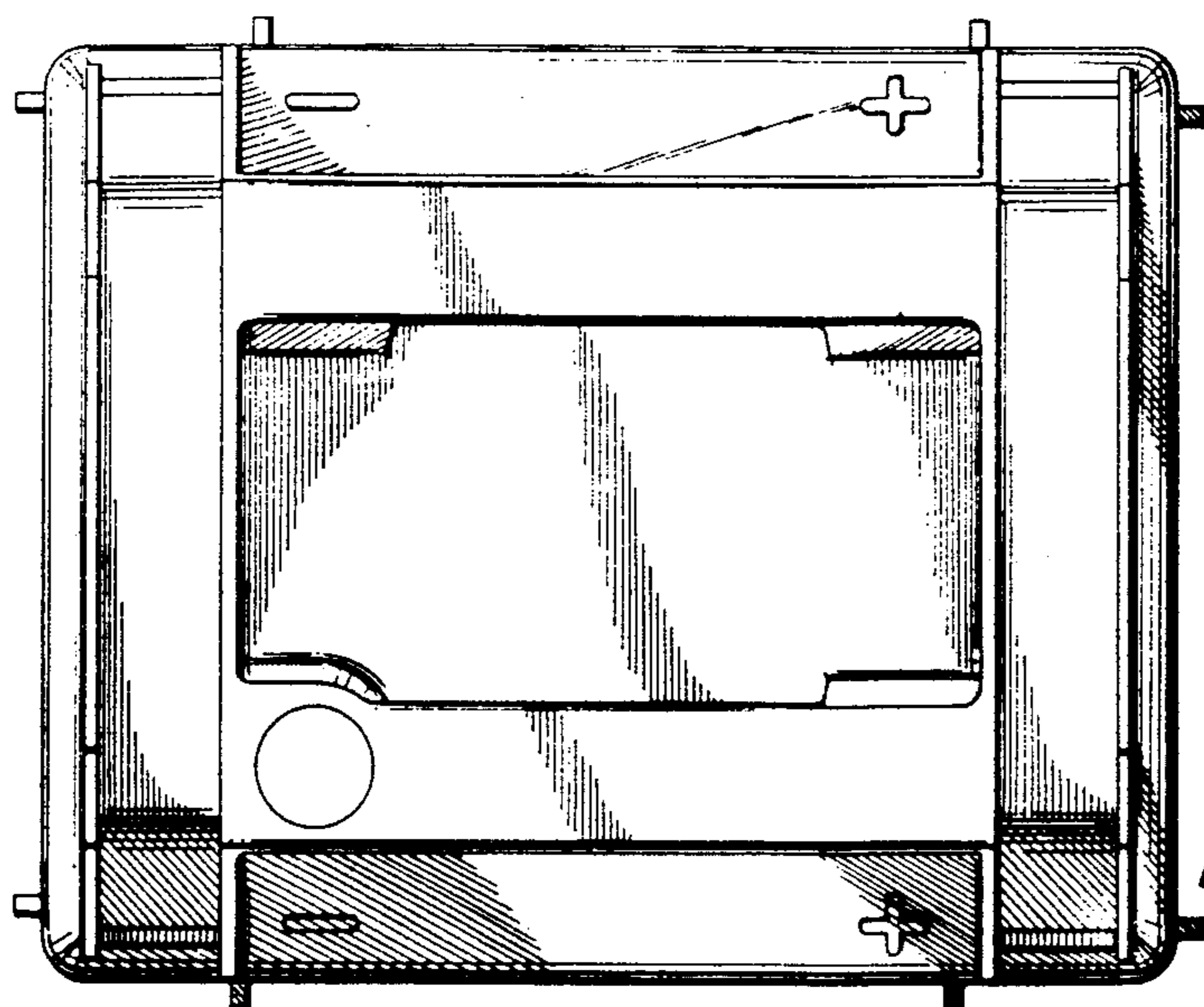


FIG. 2.

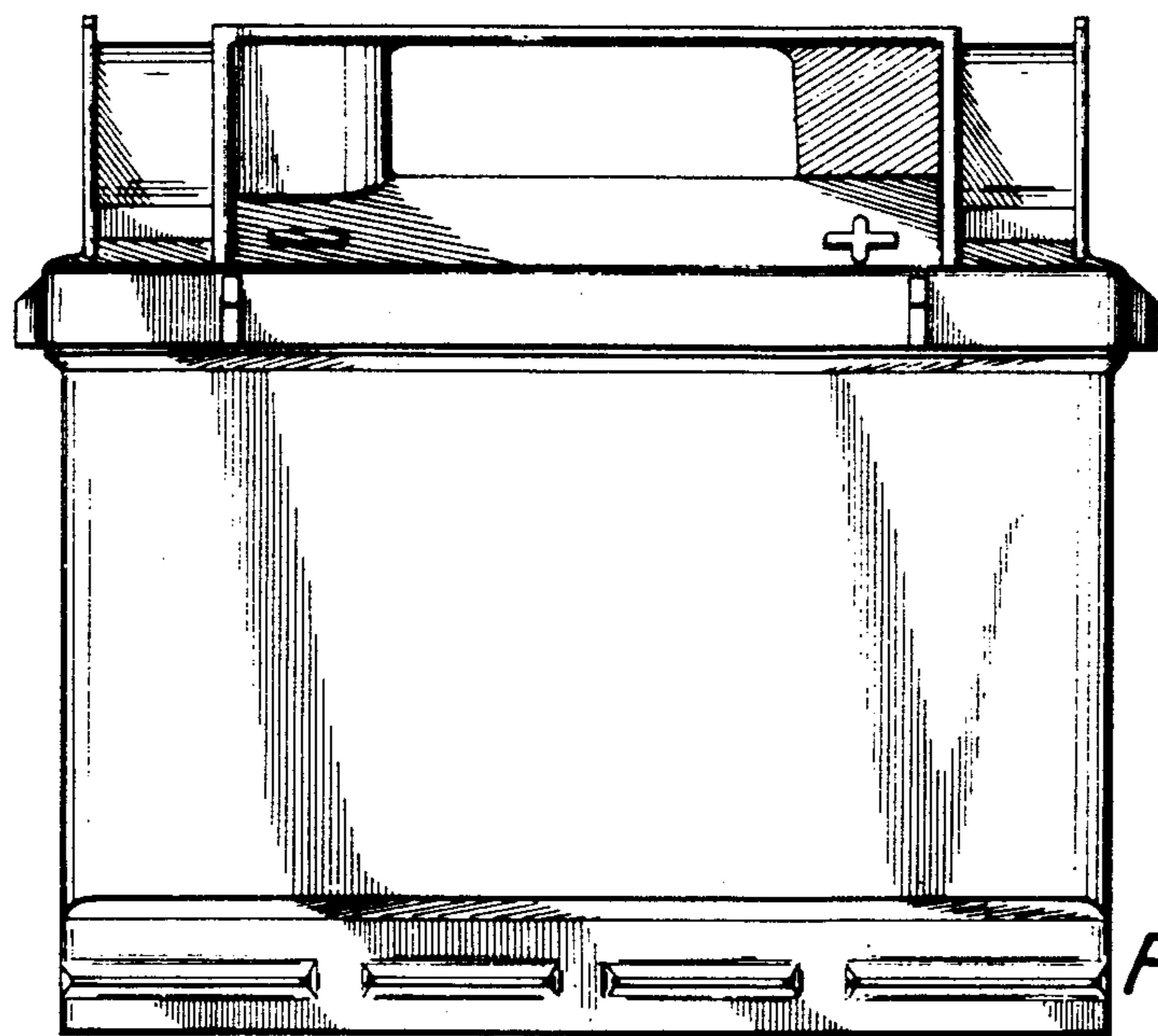


FIG. 3.

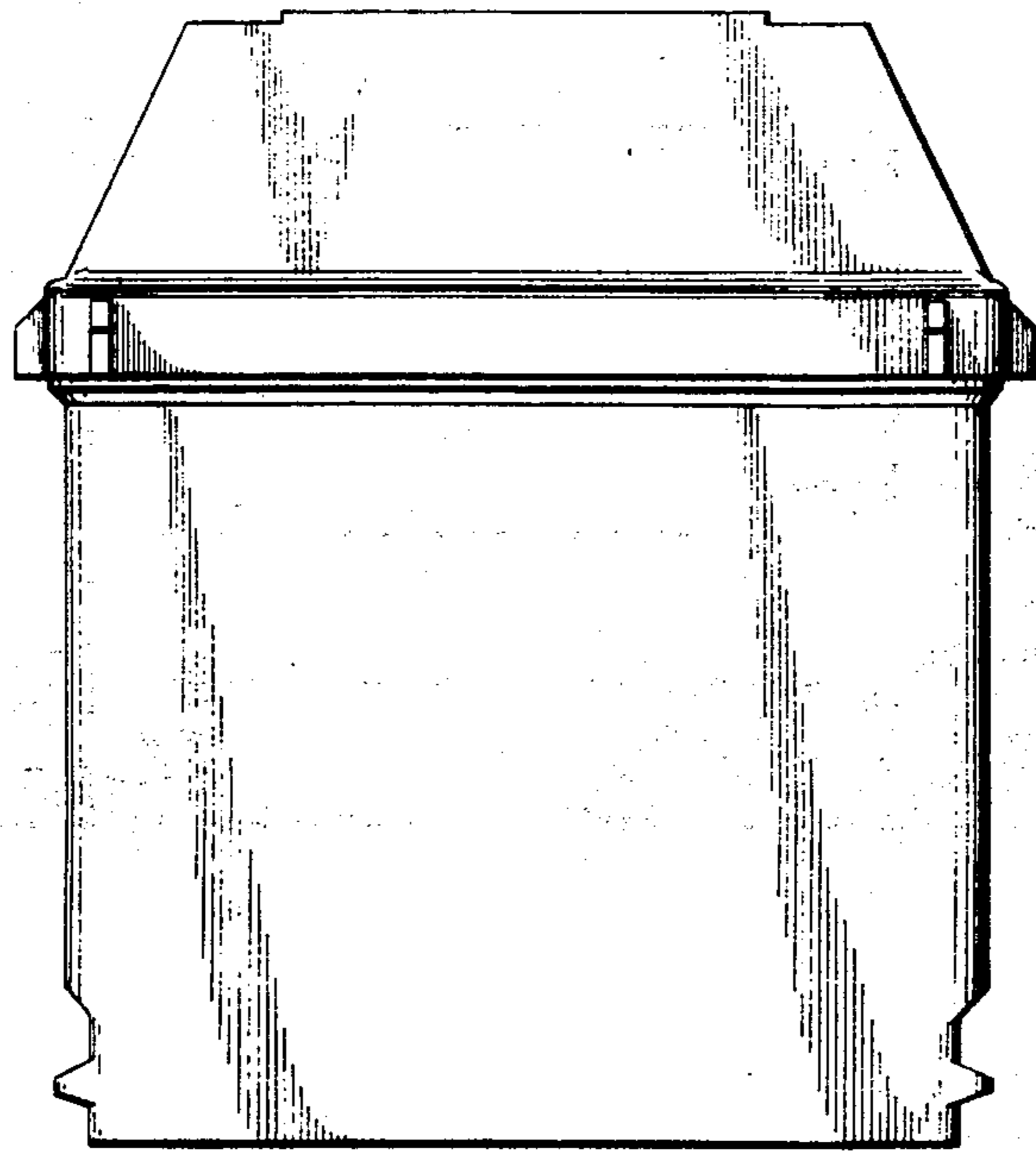


FIG. 4.