

[54] POWERED WHEELCHAIR

[56] References Cited

U.S. PATENT DOCUMENTS

- D. 266,499 10/1982 Twitchell et al. .... D12/131
- D. 276,904 12/1984 Shepard ..... D12/131

OTHER PUBLICATIONS

New Equipment Digest, 6/73, p. 19, Compact Electric Cart, top of page.

Primary Examiner—James M. Gandy  
Attorney, Agent, or Firm—Learman & McCulloch

[57] CLAIM

The ornamental design for a powered wheelchair, as shown and described.

DESCRIPTION

FIG. 1 is a side elevational view of the powered wheelchair;  
 FIG. 2 is an opposite side elevational view thereof;  
 FIG. 3 is a top plan view thereof;  
 FIG. 4 is a front elevational view thereof;  
 FIG. 5 is a rear elevational view thereof; and  
 FIG. 6 is a bottom plan view thereof.

[75] Inventors: Indulis Piziks, Saginaw; Melvin E. Shepard, Bridgeport; Ronald D. Elson, Merrill; Wilbur W. Wentworth, II, Bridgeport, all of Mich.

[73] Assignee: Amigo Sales, Inc., Bridgeport, Mich.

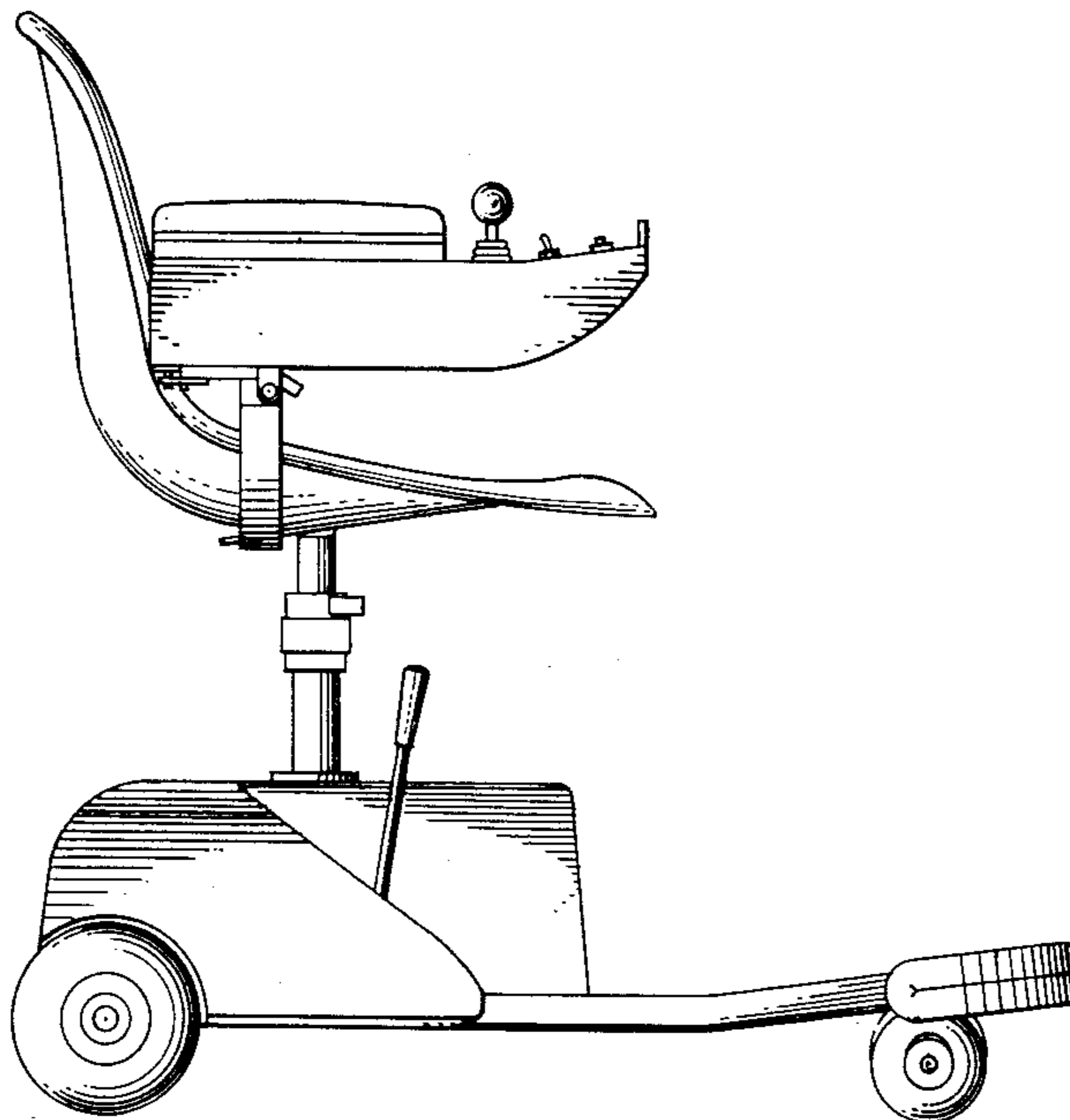
[\*\*] Term: 14 Years

[21] Appl. No.: 527,399

[22] Filed: Aug. 29, 1983

[52] U.S. Cl. .... D12/131

[58] Field of Search ..... D12/131, 85; 180/210, 180/215, 216, 217, 907; 297/DIG. 4; 280/242 WC



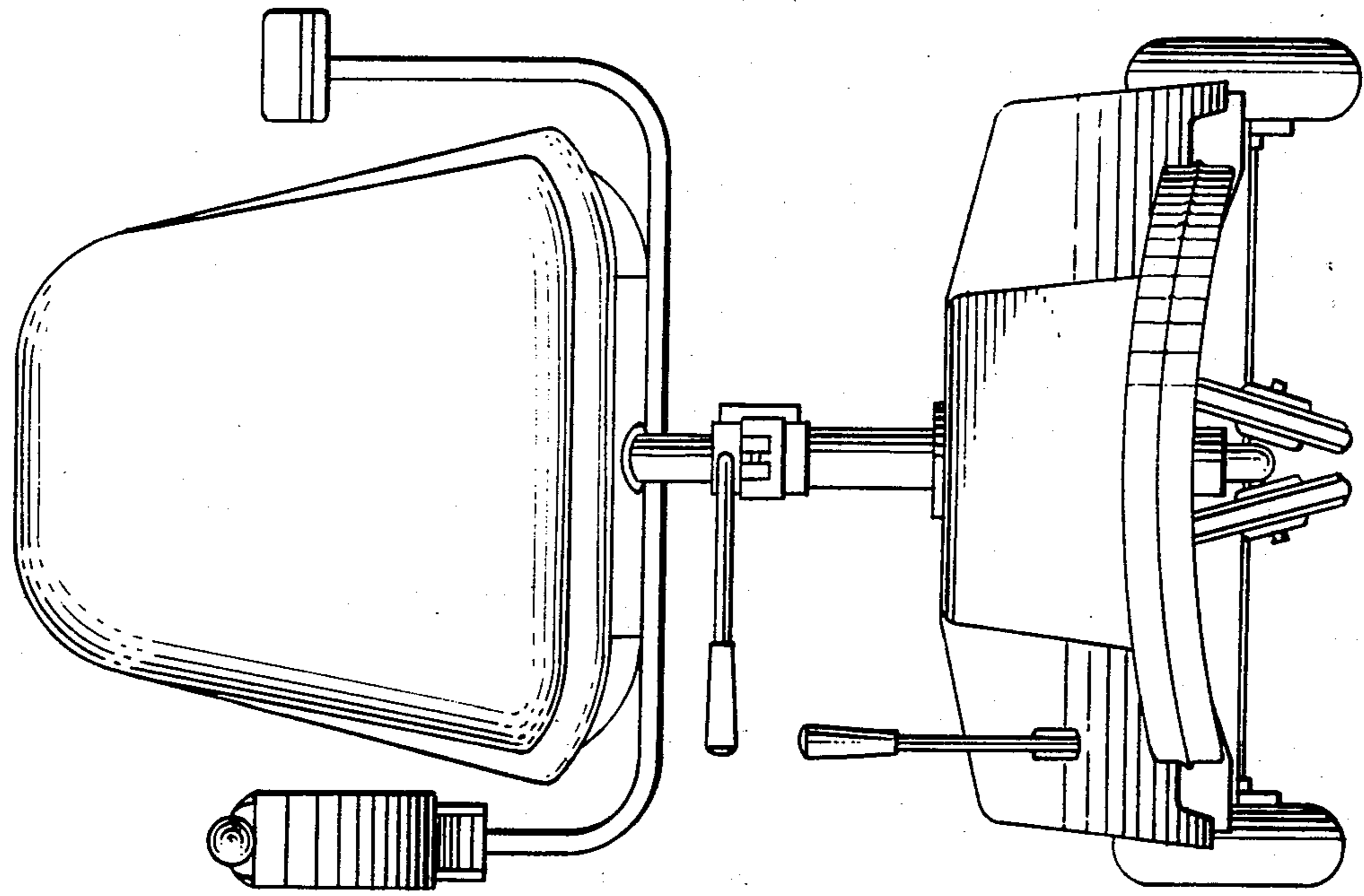


FIG. 4

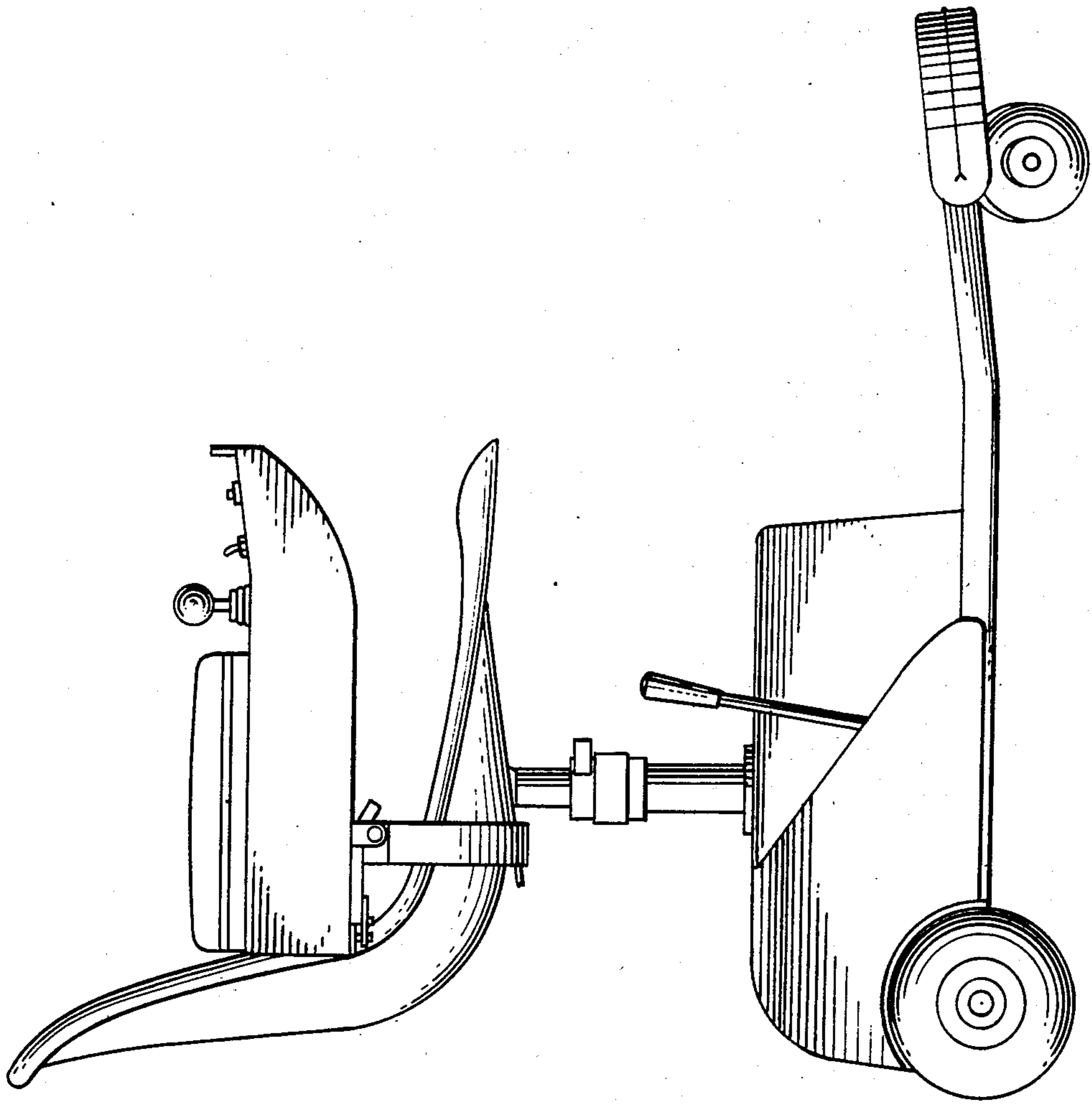


FIG. 1

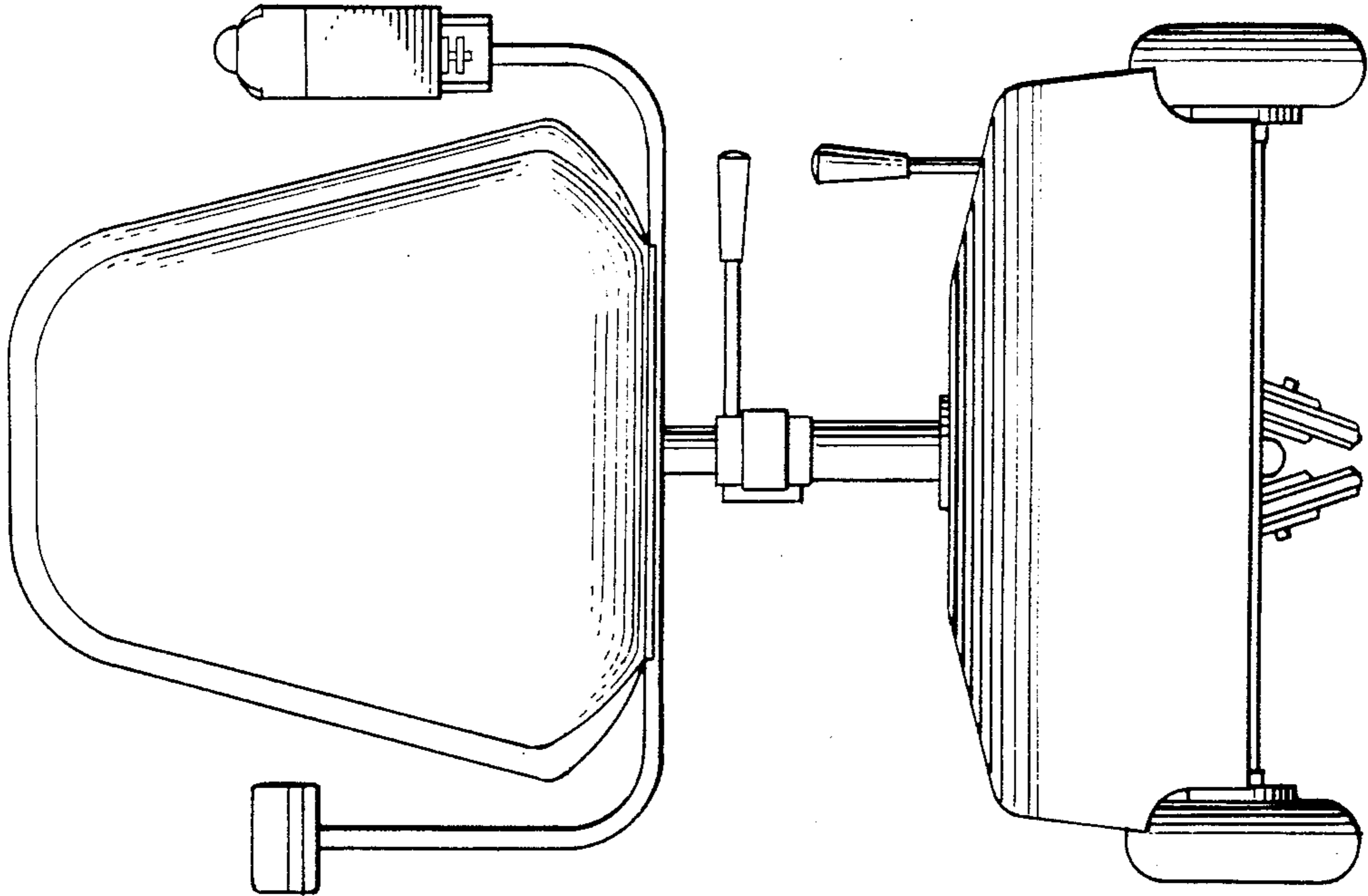


FIG.5

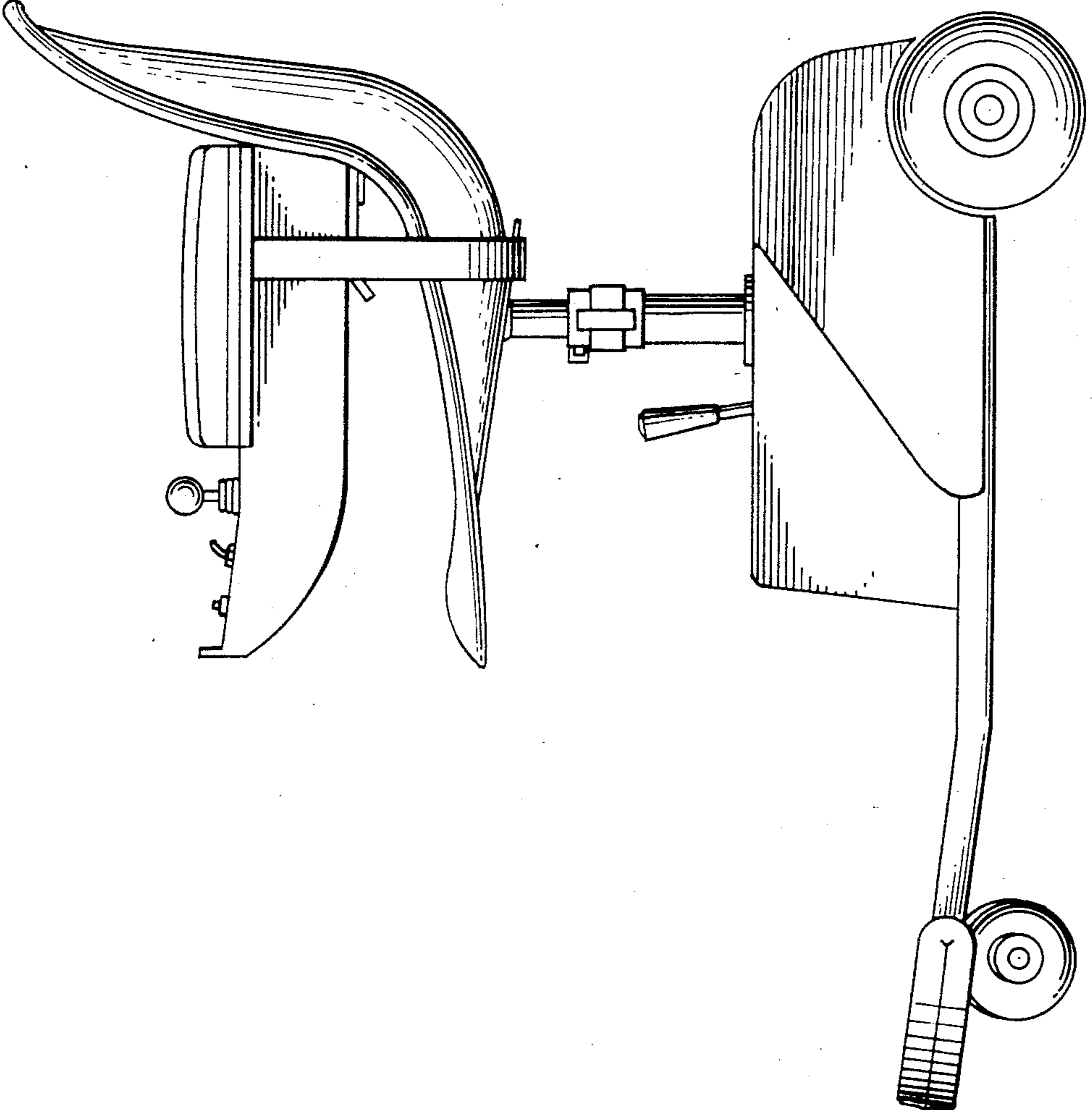


FIG.2

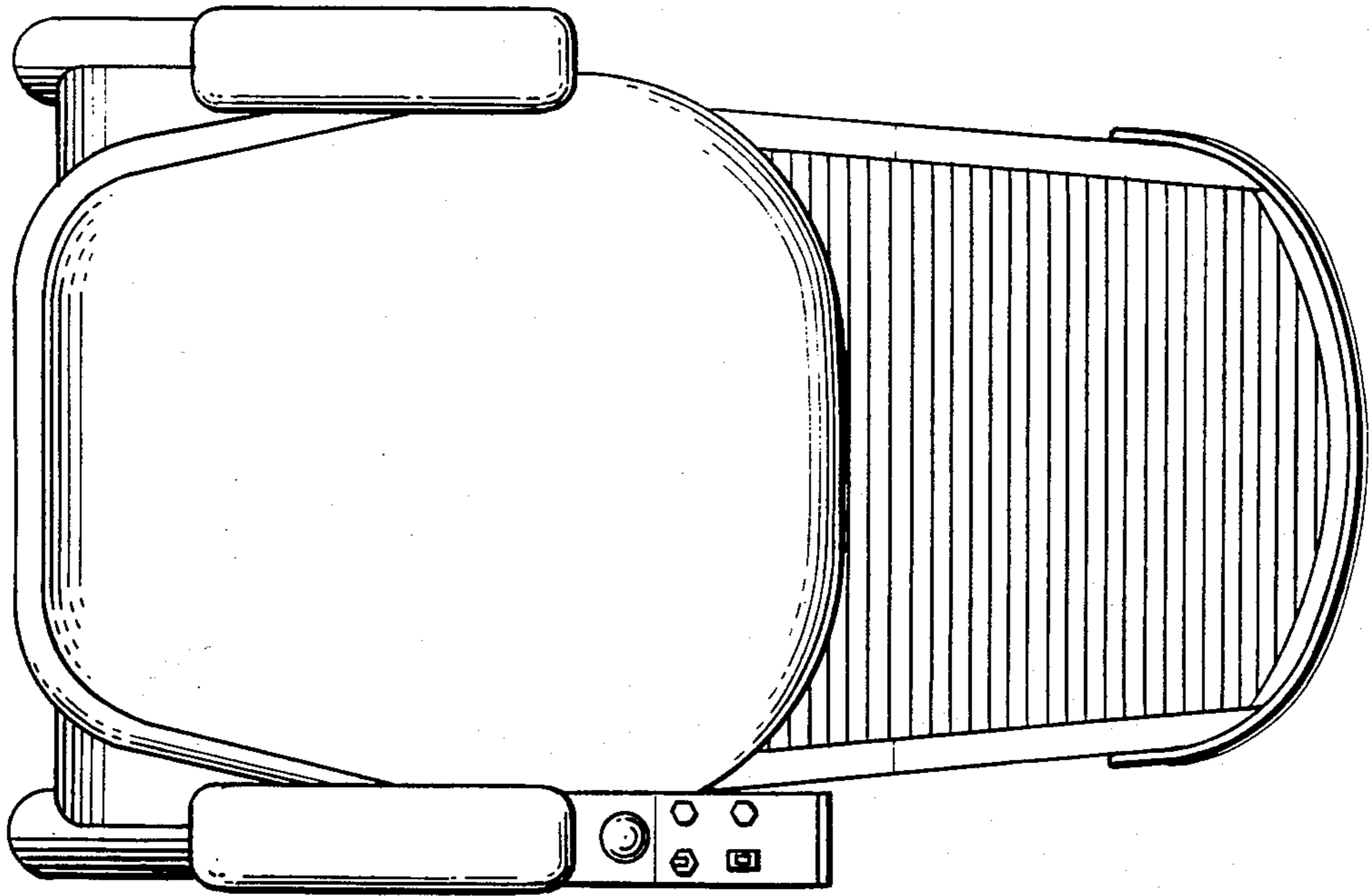


FIG. 3

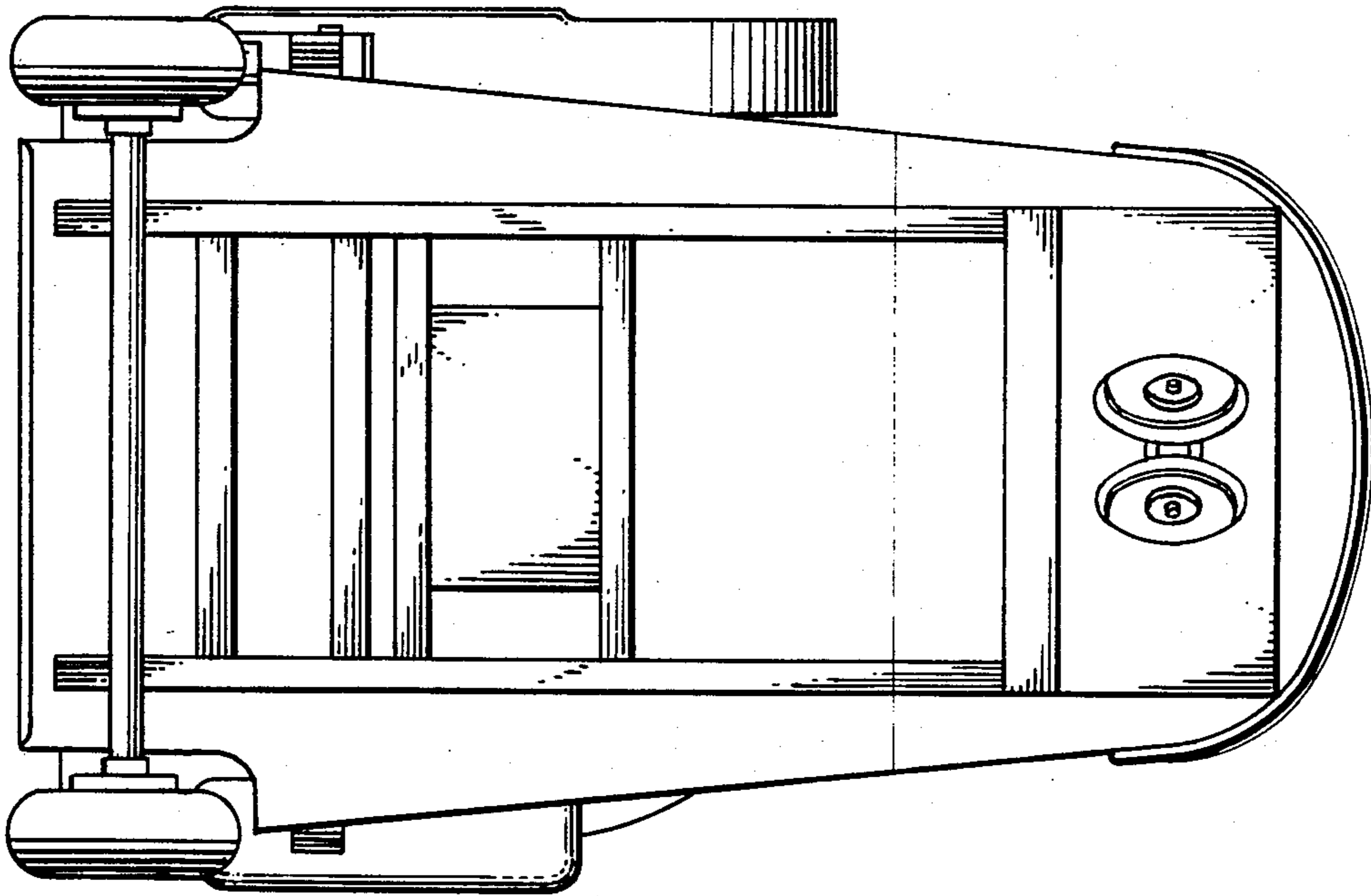


FIG. 6