

# United States Patent [19]

Russell

[11] Patent Number: **Des. 285,171**

[45] Date of Patent: **\*\* Aug. 19, 1986**

[54] **CLAMP SLEEVE**

[75] Inventor: **Leslie W. Russell, La Mesa, Calif.**

[73] Assignee: **Western Filament, Inc., Glendale, Calif.**

[\*\*] Term: **14 Years**

[21] Appl. No.: **634,736**

[22] Filed: **Jul. 26, 1984**

[52] U.S. Cl. .... **D8/396**

[58] Field of Search ..... **D8/394, 395, 396; D23/40, 43, 44; 285/417; 24/20 R**

[56] **References Cited**

## U.S. PATENT DOCUMENTS

D. 19,673 3/1980 Berger ..... D8/396

1,644,553	10/1927	Trout .....	285/417
3,303,669	2/1967	Oetiker .....	24/20 R
3,438,658	4/1969	Stevens .....	285/417
3,586,354	6/1971	Boscacci .....	285/420
3,730,567	5/1973	Webster .....	285/417
4,312,101	1/1982	Oetiker .....	24/20 R

*Primary Examiner*—B. J. Bullock

*Attorney, Agent, or Firm*—Nilsson, Robbins, Dalgarn, Berliner, Carson & Wurst

[57] **CLAIM**

The ornamental design for clamp sleeve, substantially as shown and described.

## DESCRIPTION

FIG. 1 is a front, top perspective view of a clamp sleeve showing my new design;

FIG. 2 is a rear, bottom perspective view thereof.

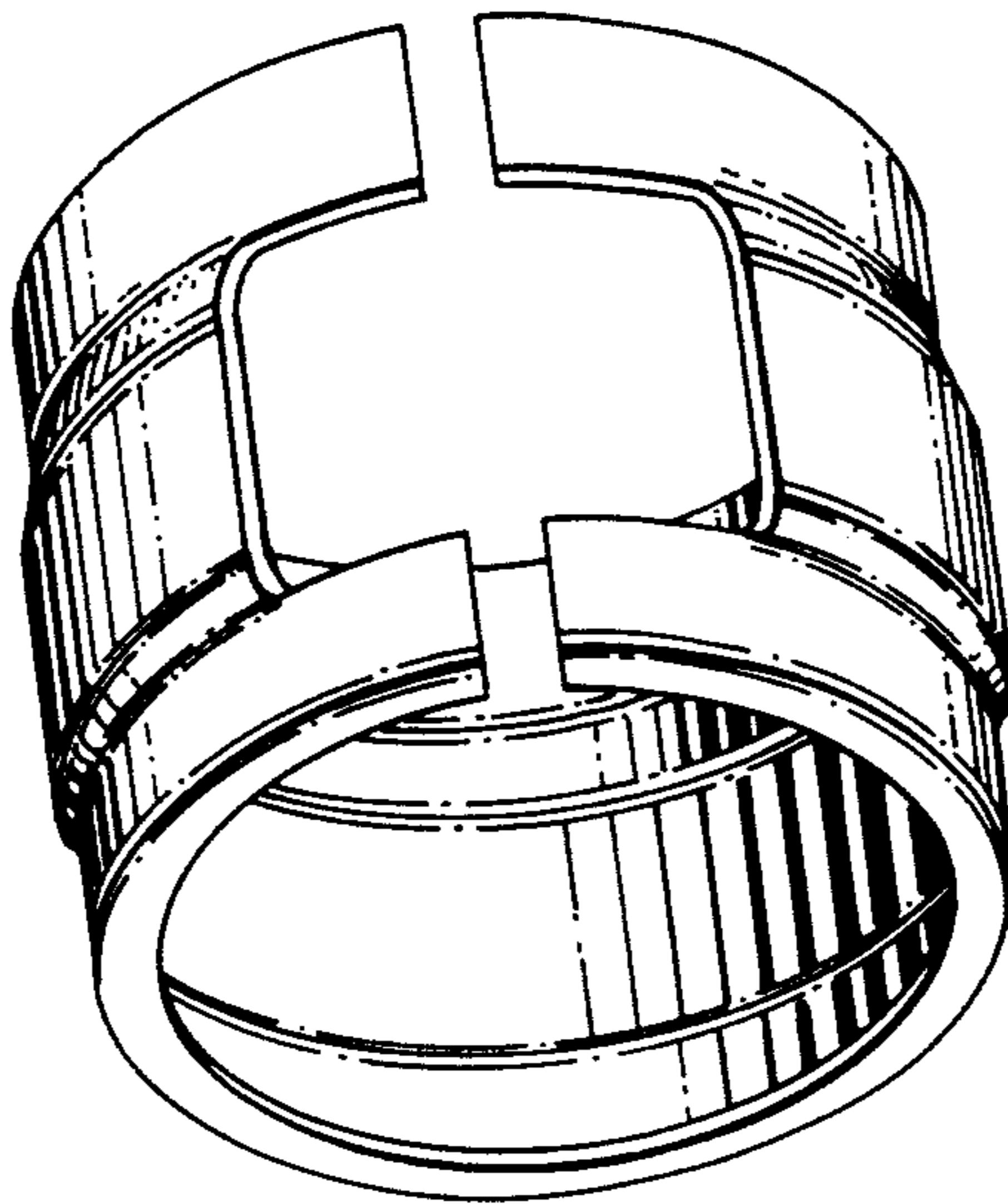


FIG. 1

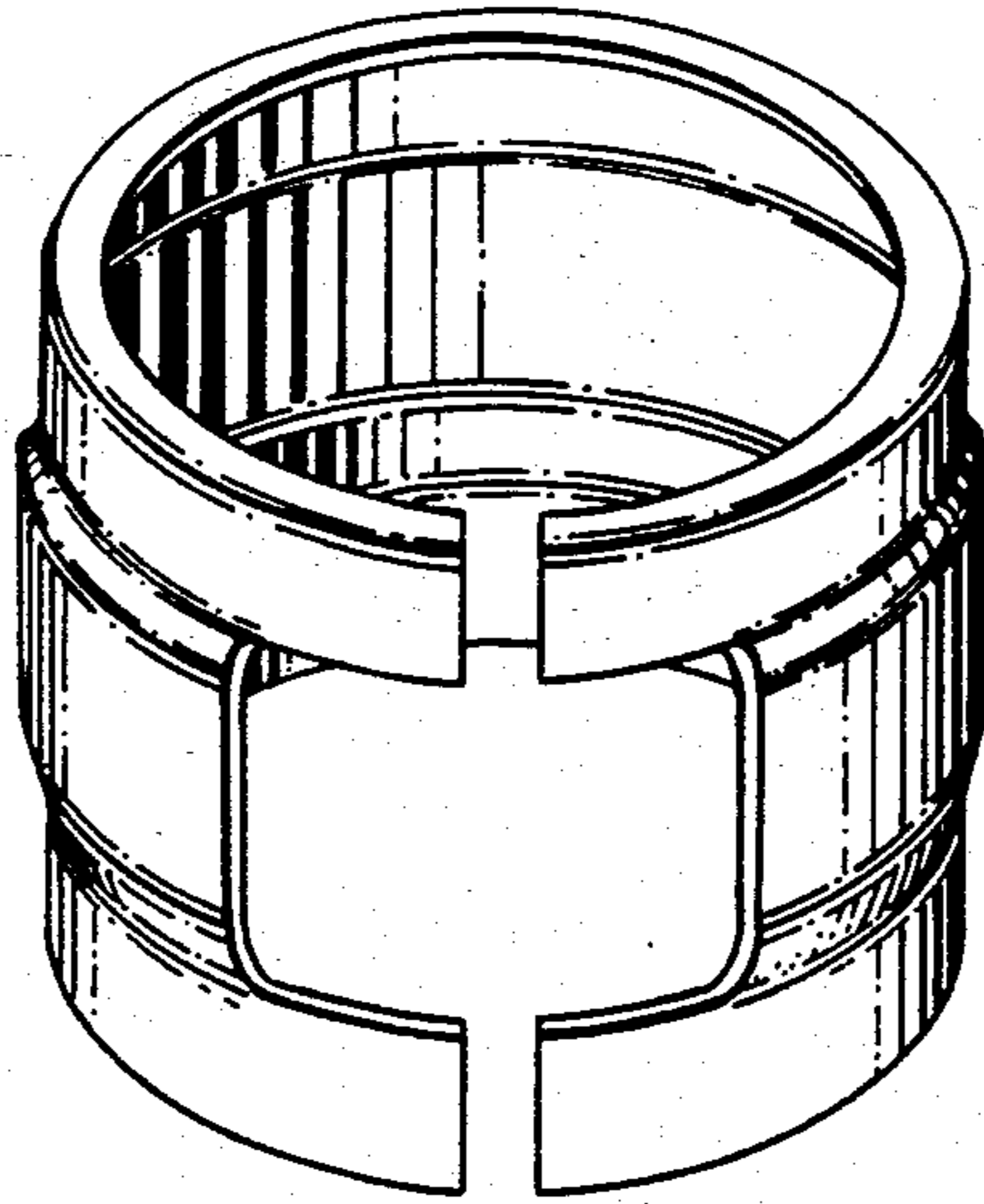


FIG. 2

