

[54] MICROWAVE OVEN

[75] Inventor: Jong S. Choi, Seoul, Rep. of Korea

[73] Assignee: Gold Star Co., Ltd., Seoul, Rep. of Korea

[**] Term: 14 Years

[21] Appl. No.: 476,462

[22] Filed: Mar. 18, 1983

[30] Foreign Application Priority Data

Oct. 7, 1982 [KR] Rep. of Korea 8820-82

[52] U.S. Cl. D7/351

[58] Field of Search D7/351; 219/10.55; 99/324-327; 312/236

[56] References Cited

U.S. PATENT DOCUMENTS

D. 235,838 7/1975 Suganoya et al. D7/351

D. 249,996 10/1978 Suganoya et al. D7/351

D. 259,761 7/1981 Yamamura et al. D7/351

D. 266,641 10/1982 Yamamura et al. D7/351

D. 268,080 3/1982 Haruguchi et al. D7/351

Primary Examiner—Catherine E. Kemper

Attorney, Agent, or Firm—Kuhn, Muller and Bazerman

[57] CLAIM

The ornamental design for a microwave oven, as shown and described.

DESCRIPTION

FIG. 1 is a front perspective view of a microwave oven showing my new design;

FIG. 2 is a top plan view thereof;

FIG. 3 is a bottom plan view thereof;

FIG. 4 is a front elevational view thereof;

FIG. 5 is a rear elevational view thereof; and

FIG. 6 is a left side elevational view thereof the other side being a mirror image.

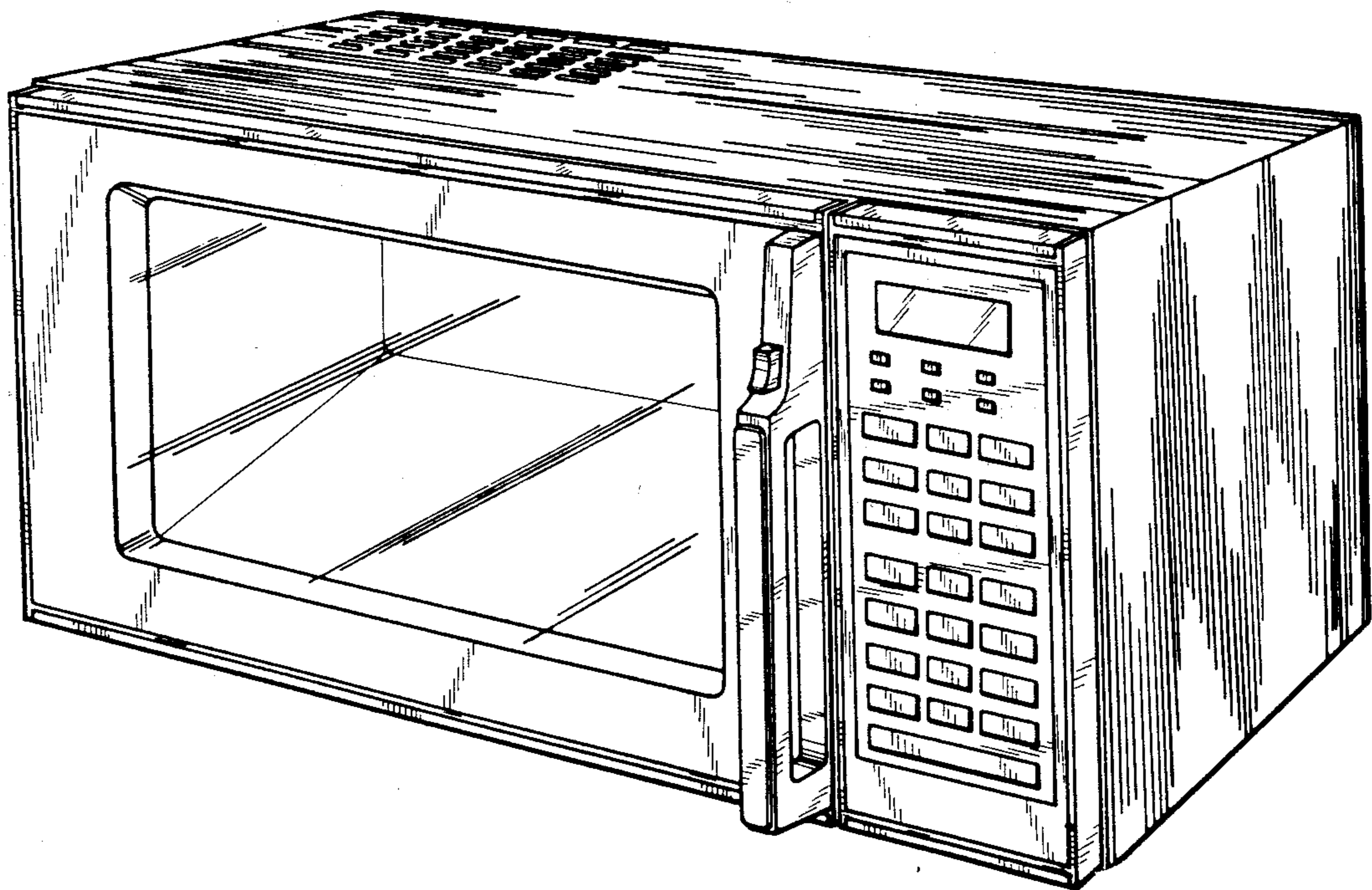


FIG. 1

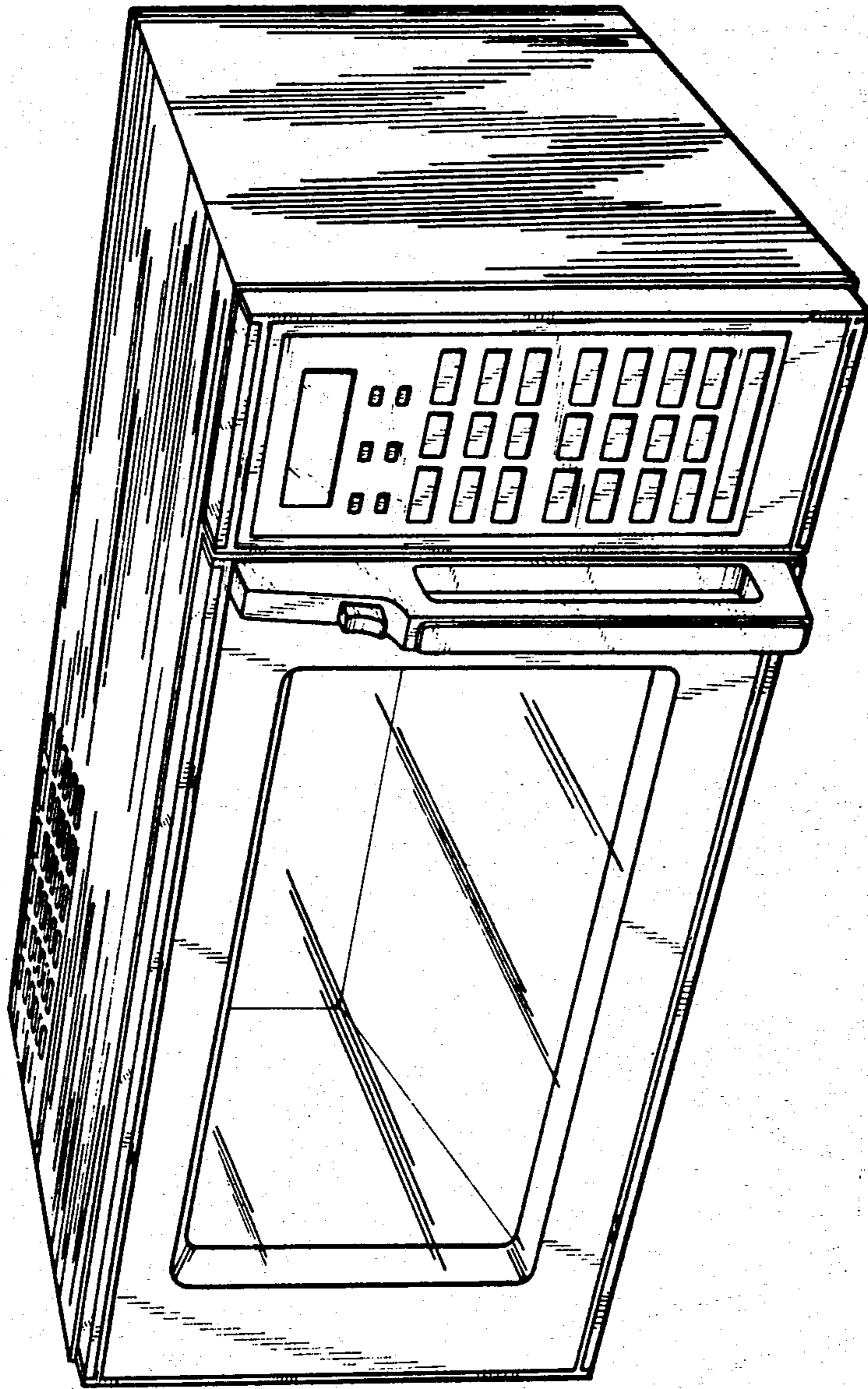


FIG. 2

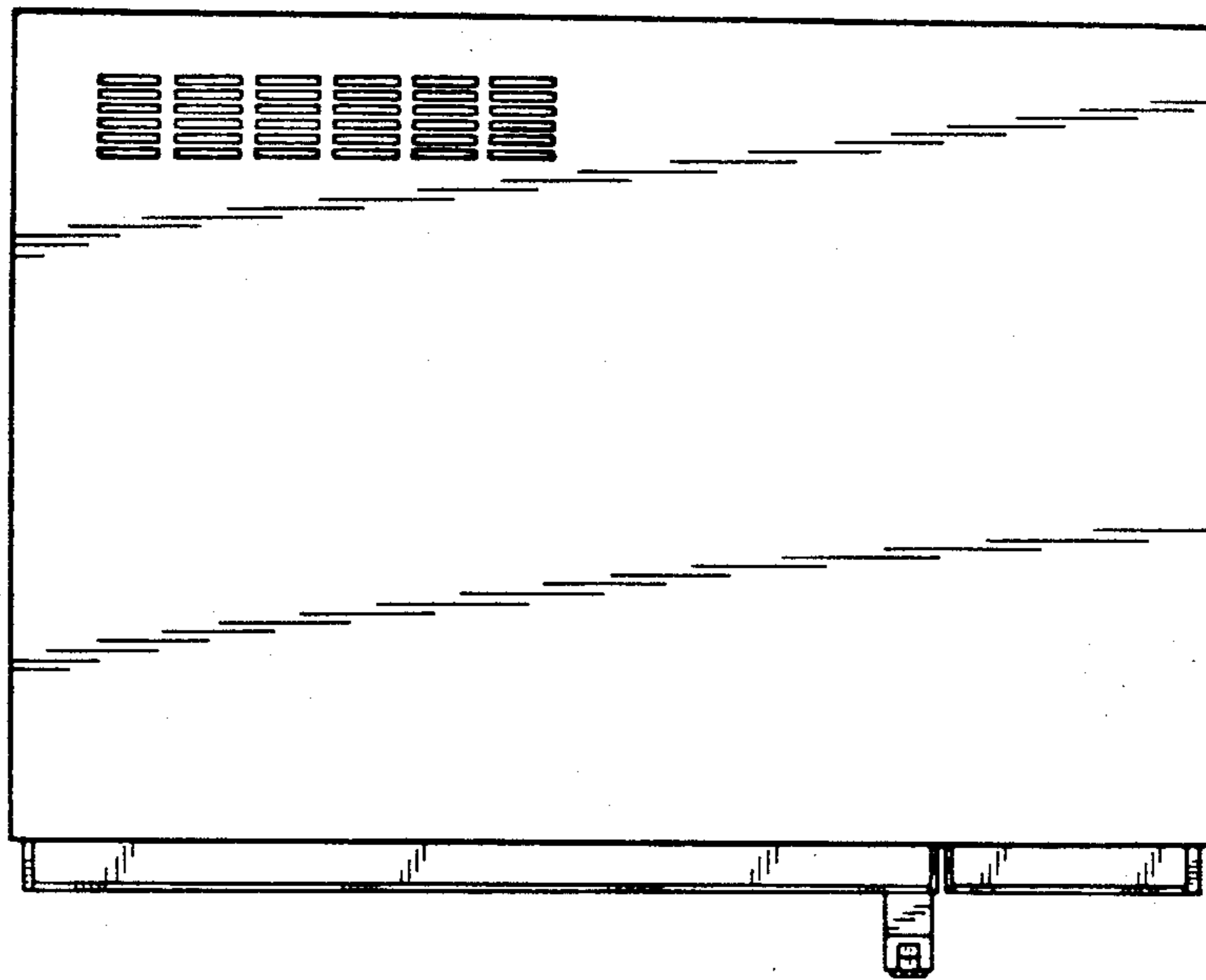


FIG. 3

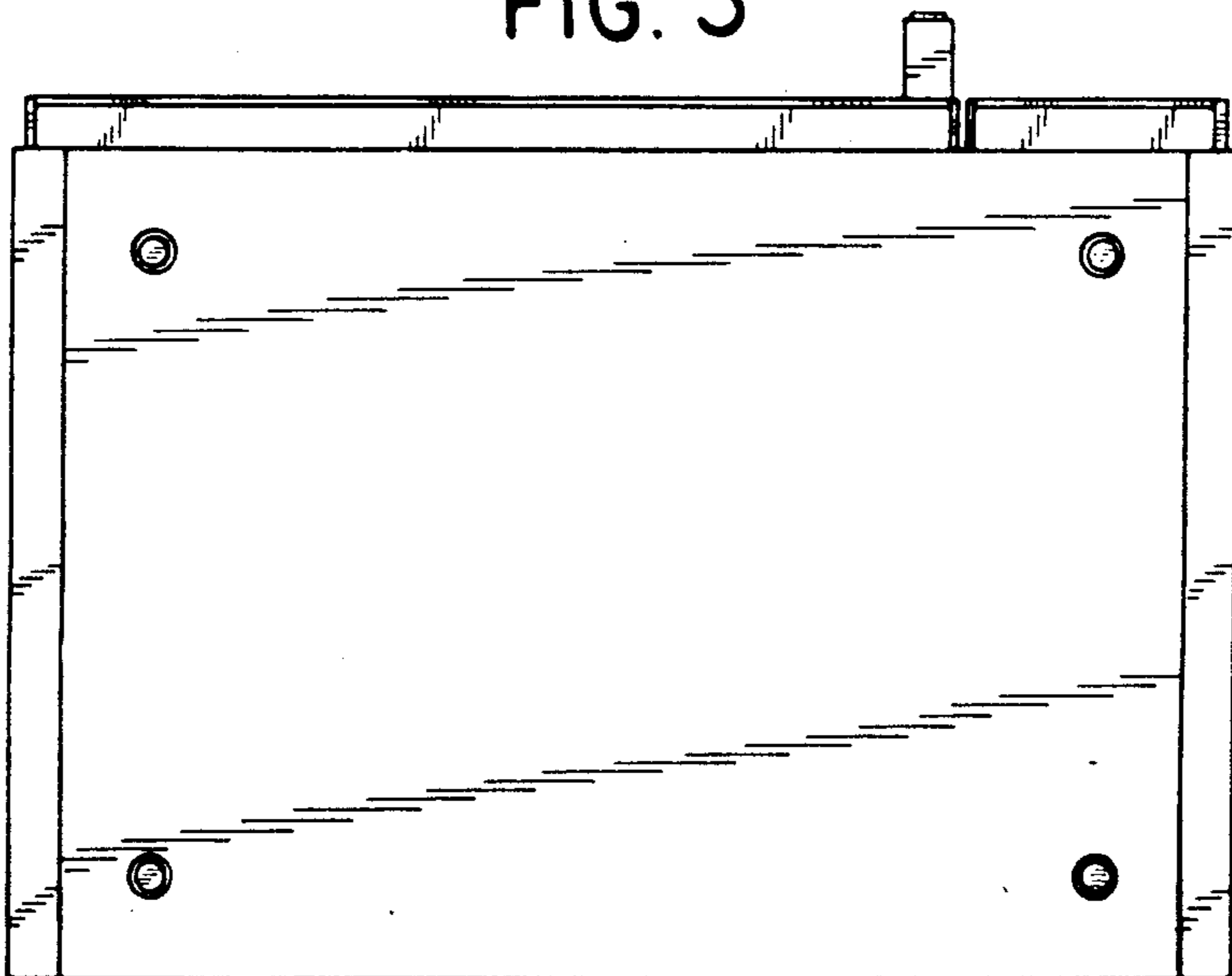


FIG. 4

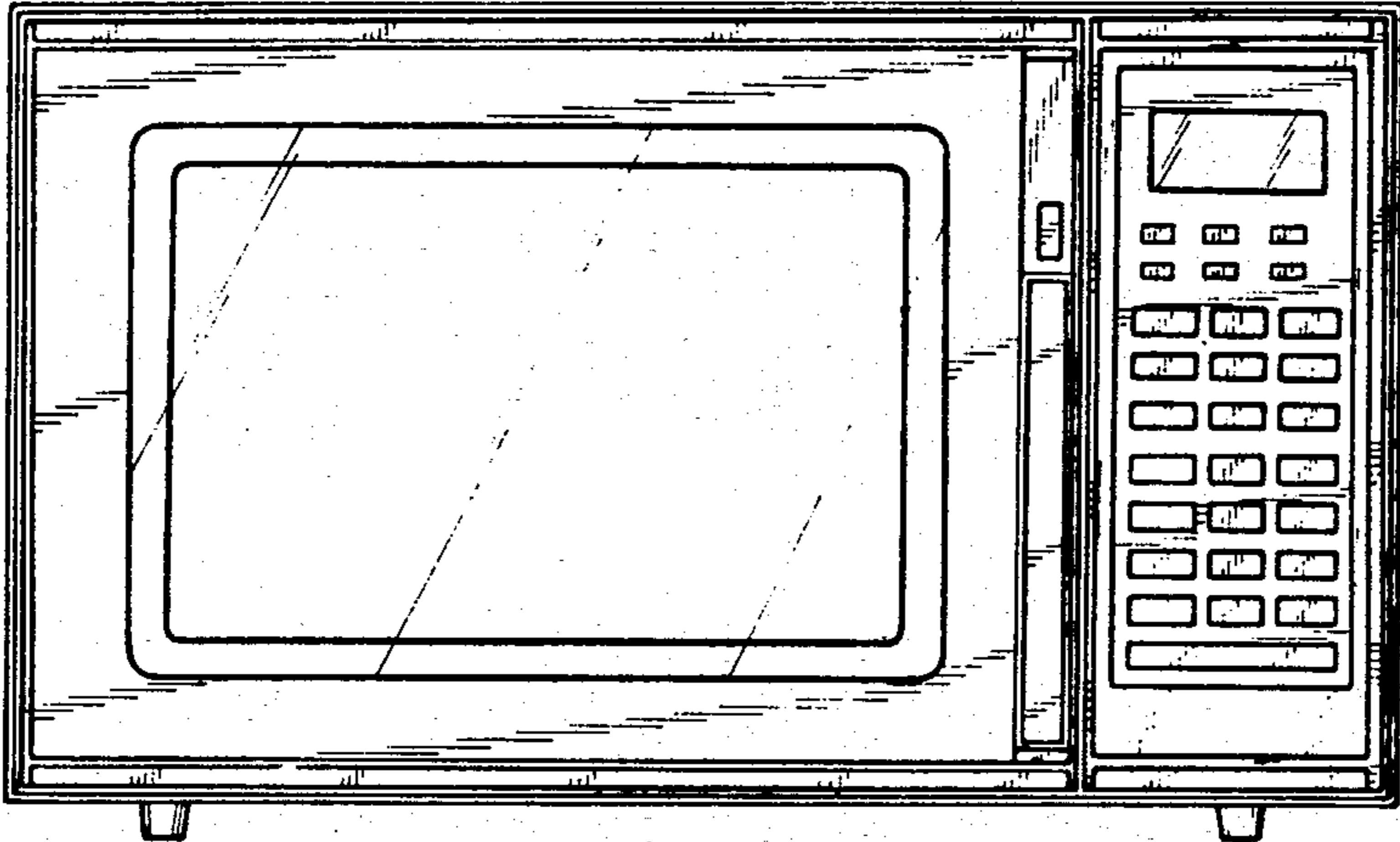


FIG. 5

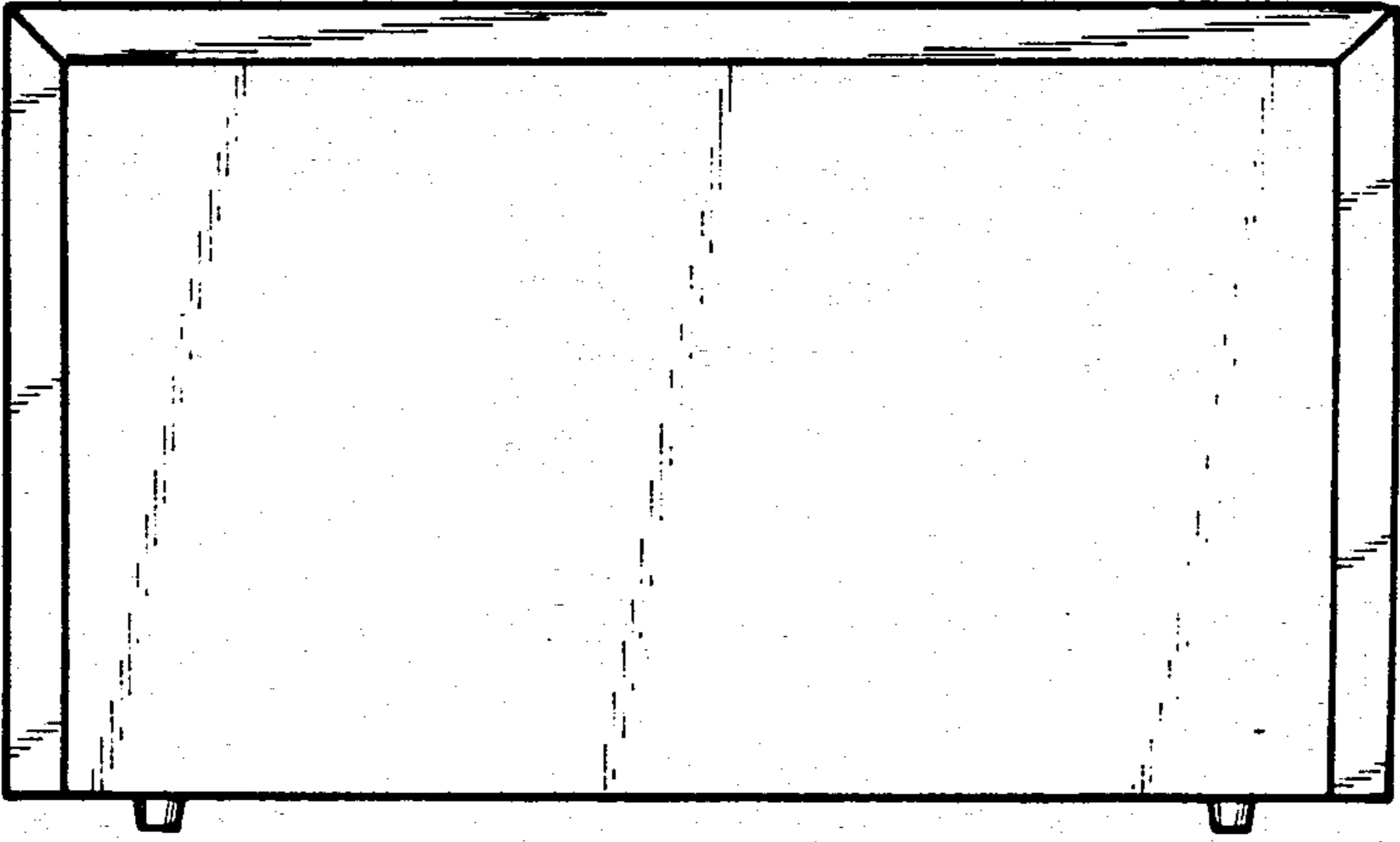


FIG. 6

