

[54] KETTLE

[75] Inventor: Robert Osit, Exton, Pa.

[73] Assignee: Proctor-Silex, Inc., Chillicothe, Ohio

[**] Term: 14 Years

[21] Appl. No.: 489,787

[22] Filed: Apr. 29, 1983

[52] U.S. Cl. D7/317

[58] Field of Search D7/318, 317, 322, 312, D7/310, 316, 319, 321, 300; 99/285, 279; 219/436, 438, 441, 442; 222/156, 157

[56] References Cited

U.S. PATENT DOCUMENTS

- D. 183,763 10/1958 Levittown D7/317 X
- D. 229,012 11/1973 Wooters D7/317
- D. 229,154 11/1973 Jordan D7/317
- D. 234,487 3/1975 Stuetzer et al. D7/317
- D. 236,177 8/1975 Reyda D7/317

- D. 263,105 2/1982 Okazaki et al. D7/319
- 2,222,098 11/1940 Wittels 126/388 X
- 2,533,578 12/1950 Gomersall 99/285 X
- 3,217,923 11/1965 Price 99/285 X
- 3,715,974 2/1973 Beverett 99/285

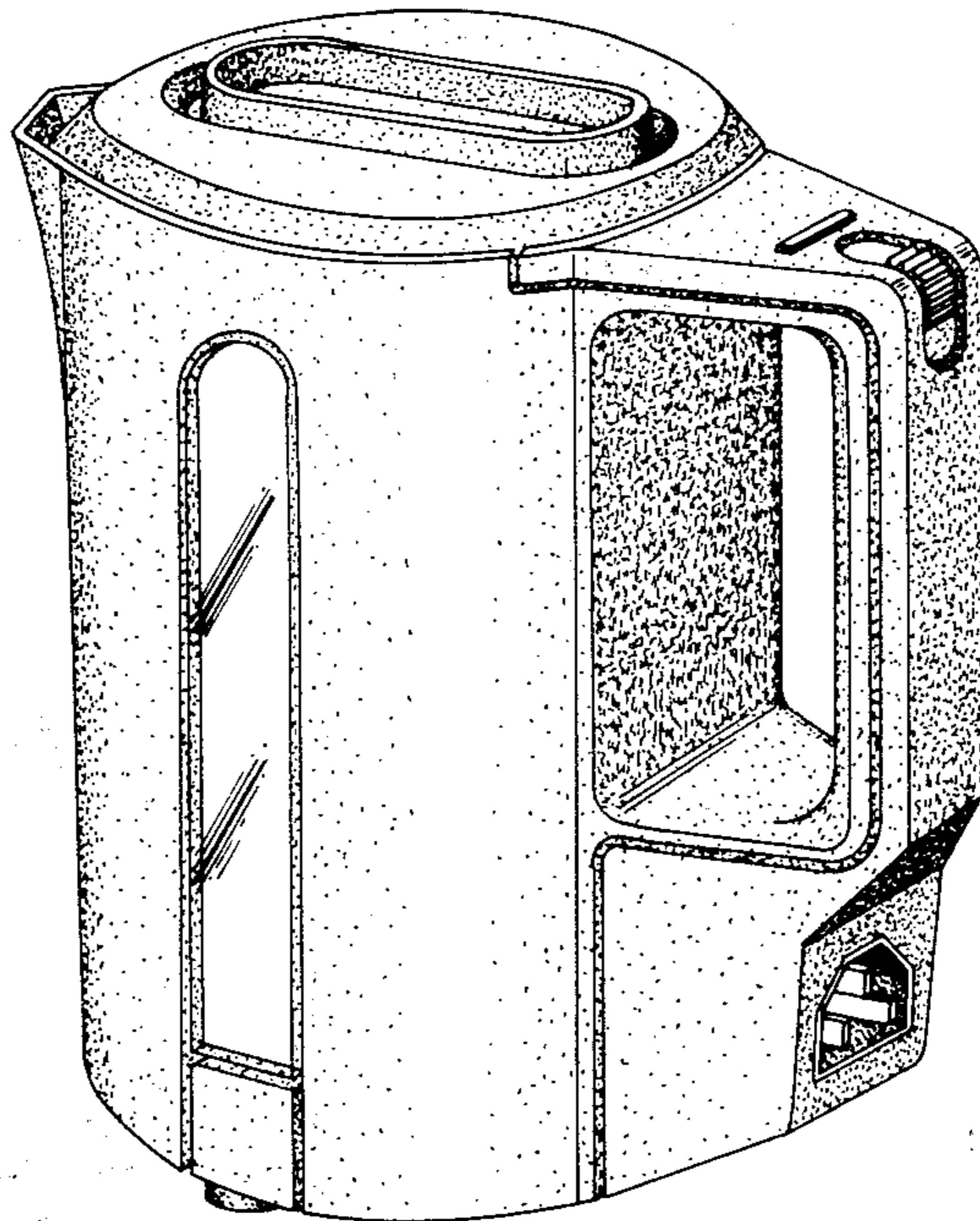
Primary Examiner—Bernard Ansher
Assistant Examiner—Linda Titolo
Attorney, Agent, or Firm—Frost & Jacobs

[57] CLAIM

The ornamental design for a kettle, as shown.

DESCRIPTION

FIG. 1 is a top rear and left side perspective view of a kettle, showing my new design;
FIG. 2 is a top plan view thereof;
FIG. 3 is a left side elevational view thereof;
FIG. 4 is a rear elevational view thereof;
FIG. 5 is a right side elevational view thereof;
FIG. 6 is a front elevational view thereof; and
FIG. 7 is a bottom plan view thereof.



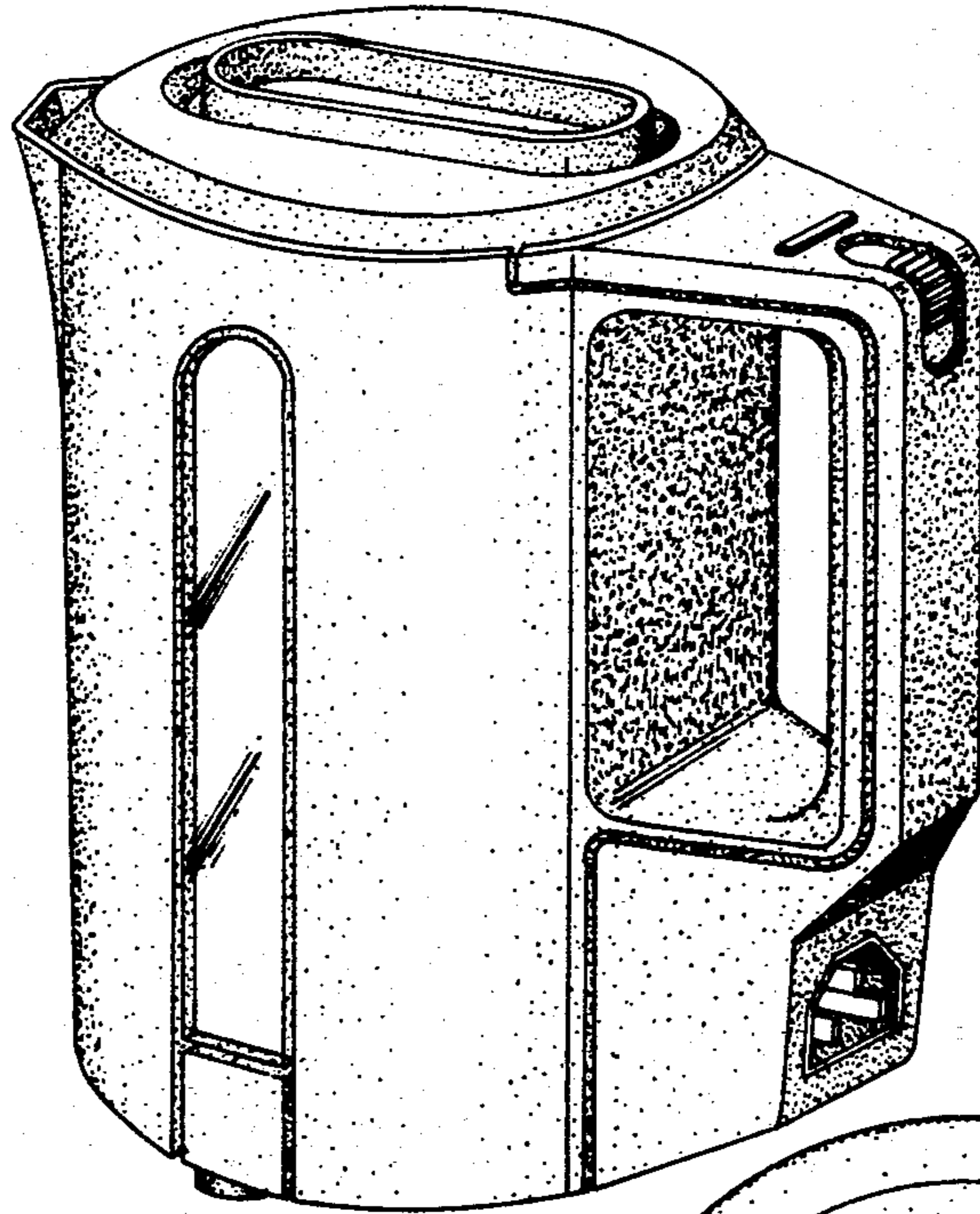


FIG. 1

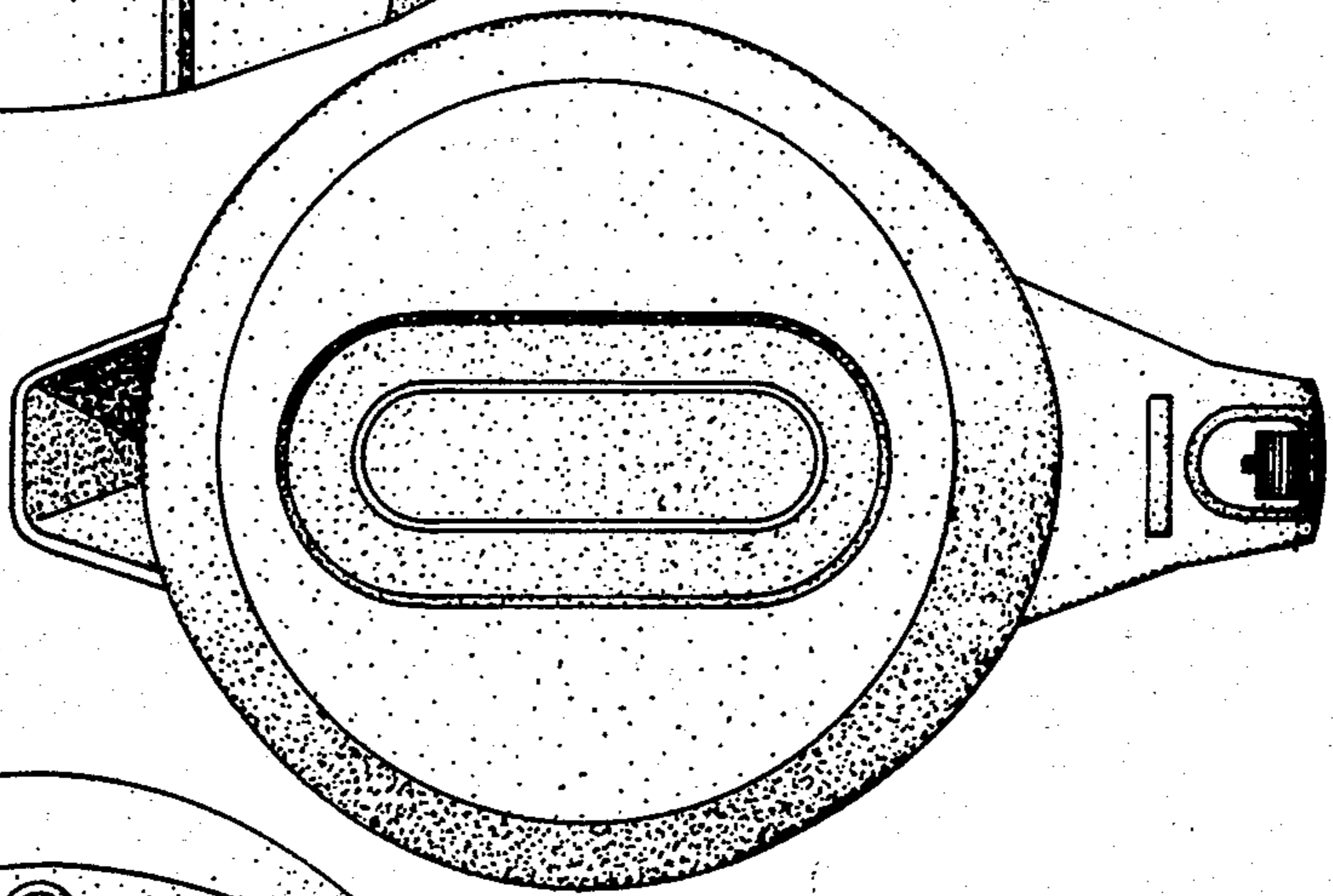


FIG. 2

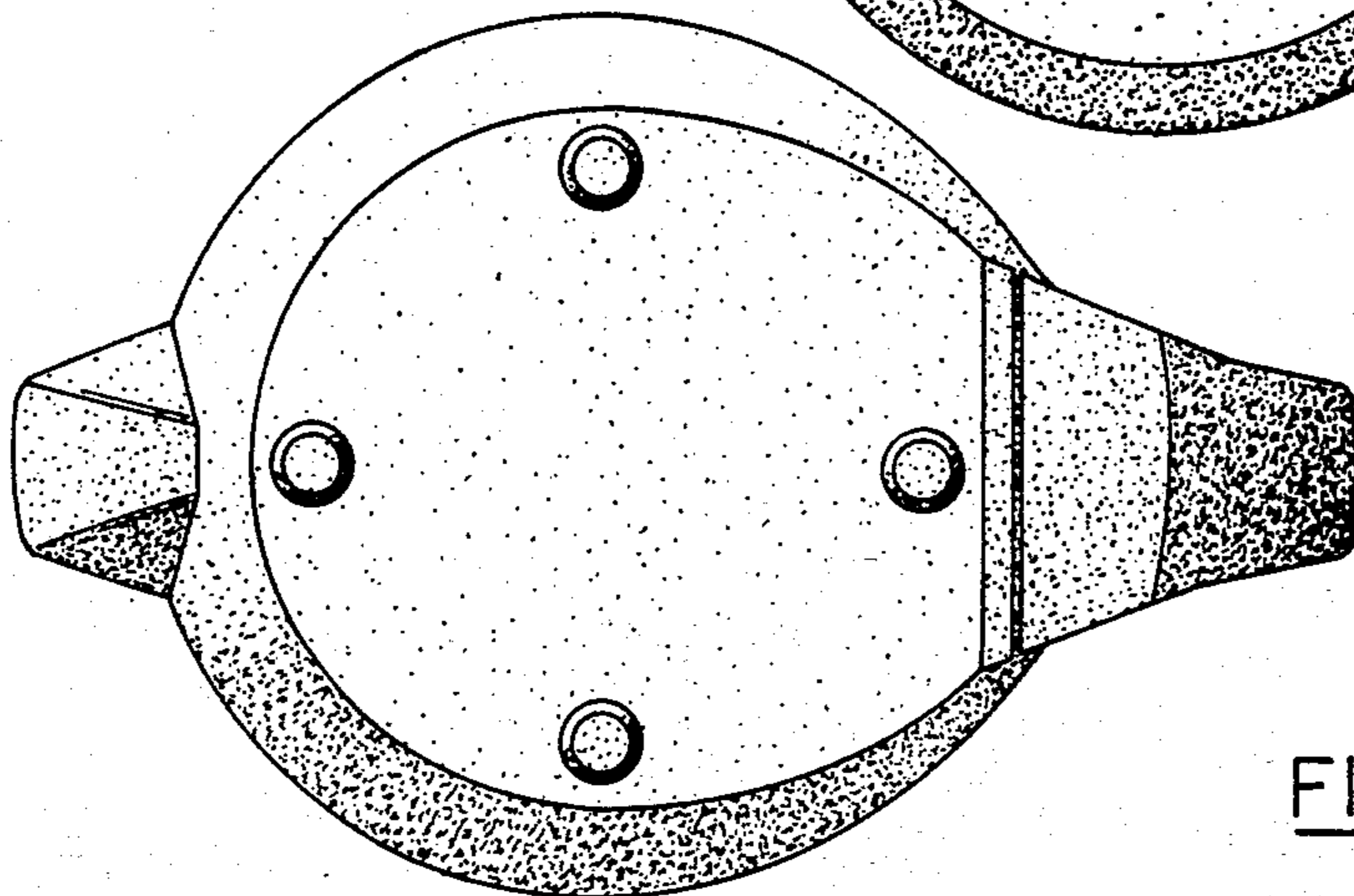


FIG. 7

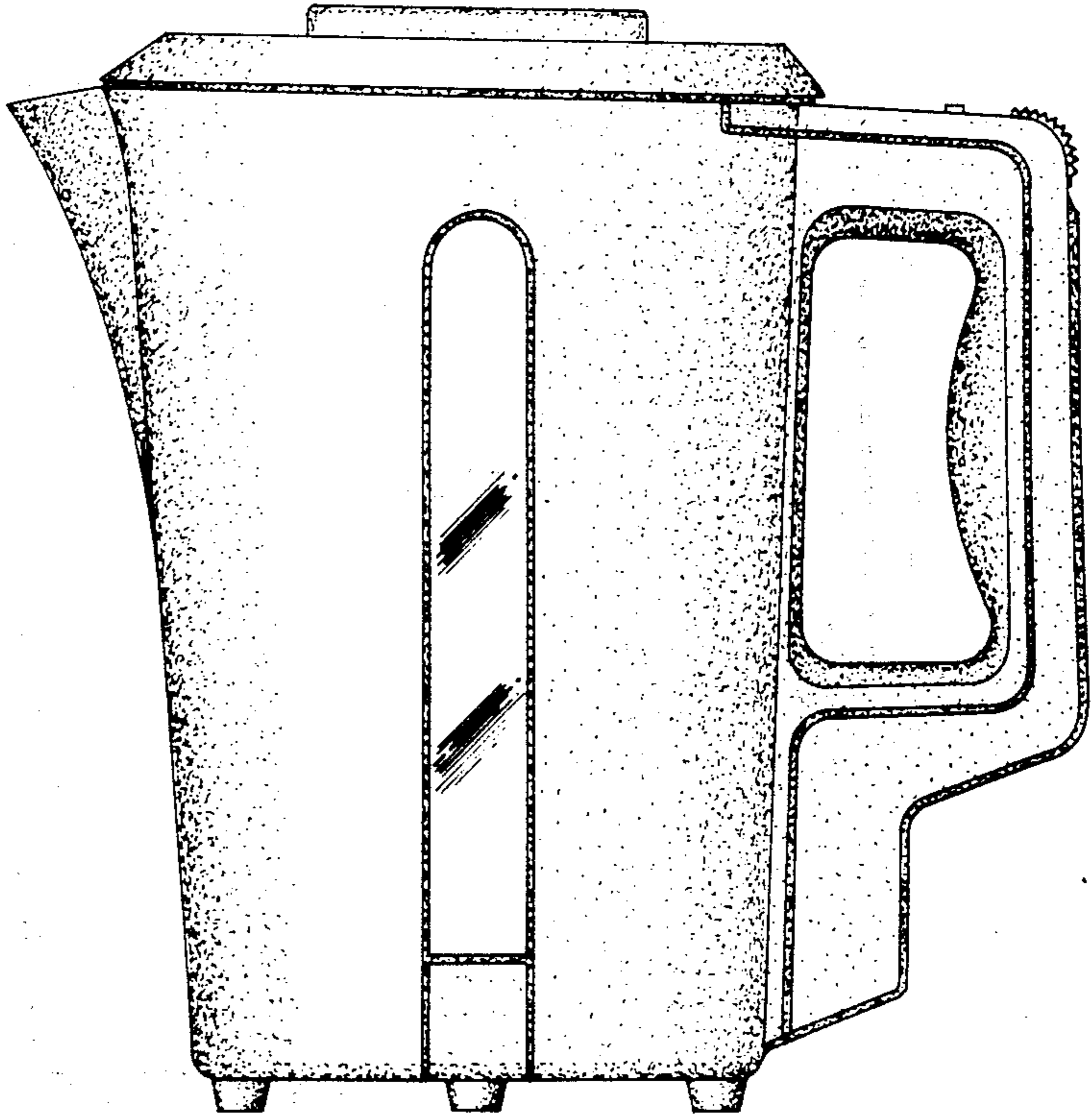


FIG. 3

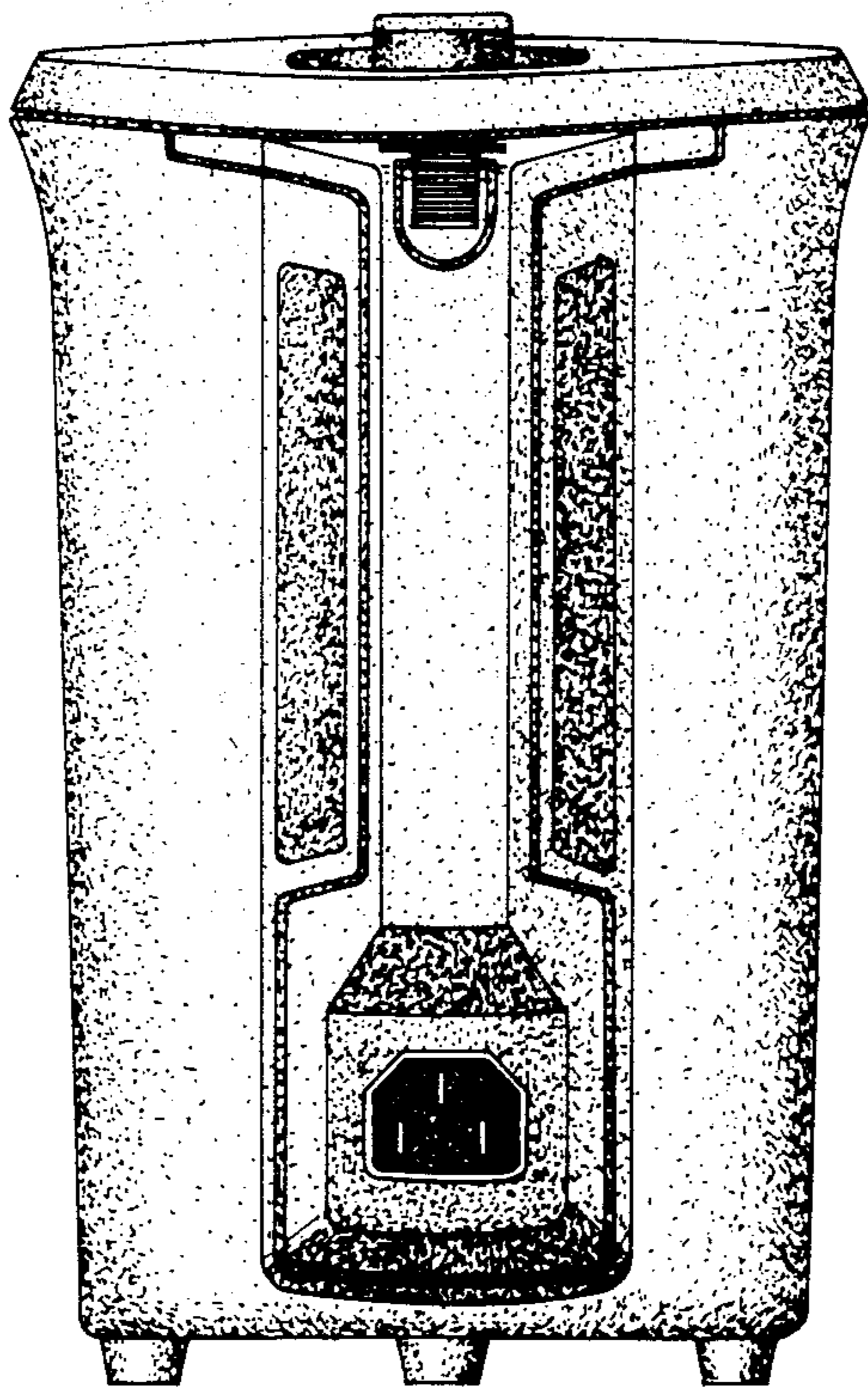


FIG. 4

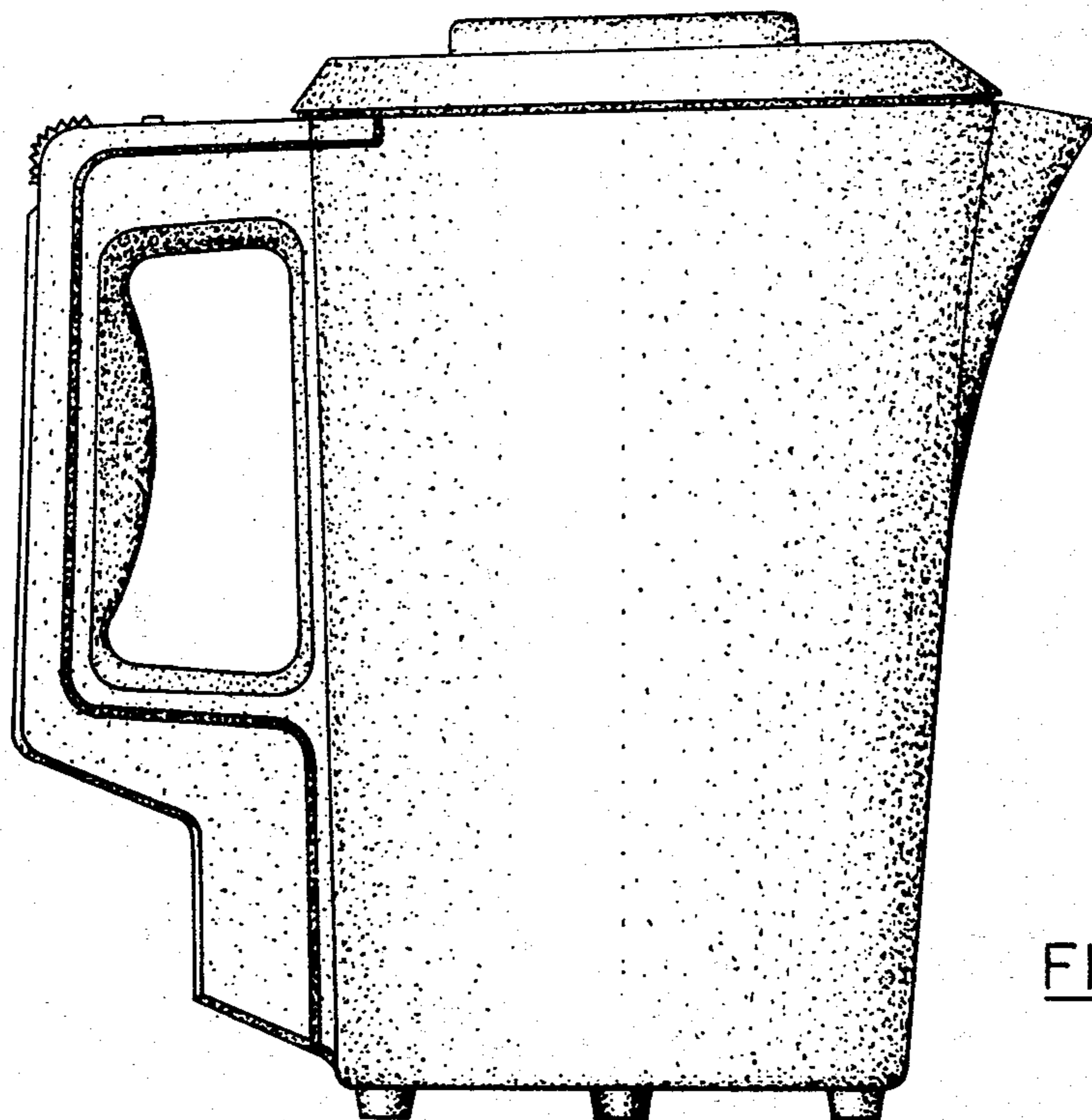


FIG. 5

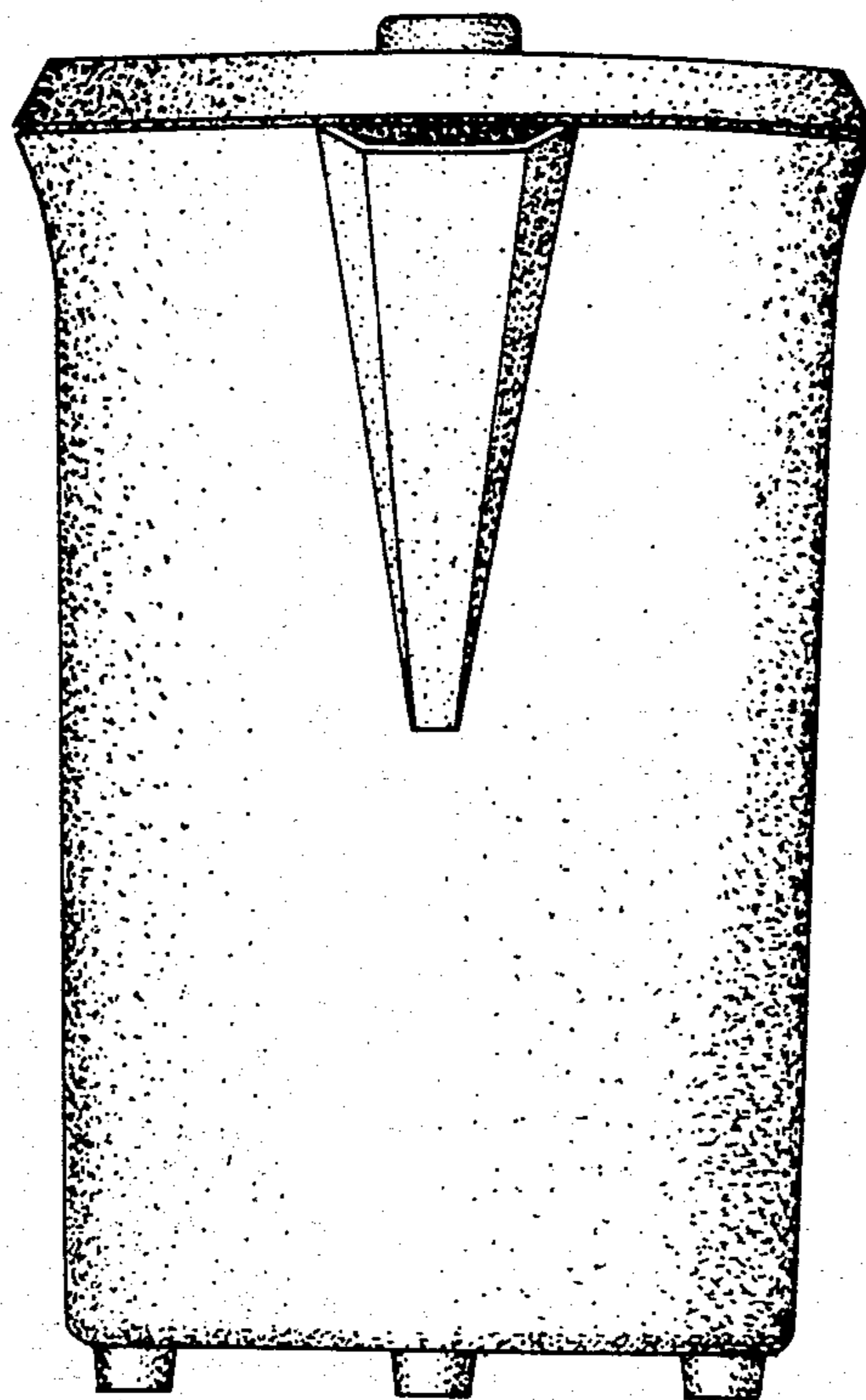


FIG. 6