

[54] **WALL MOUNTED RACK**

[75] Inventor: **John P. Chap, Lemont, Ill.**

[73] Assignee: **Selfix, Inc., Chicago, Ill.**

[\*\*] Term: **14 Years**

[21] Appl. No.: **611,593**

[22] Filed: **May 22, 1984**

[52] U.S. Cl. .... **D6/566; D6/570**

[58] **Field of Search** ..... D6/310, 314, 320-323,  
D6/512, 513, 515, 517, 524, 525, 526, 536, 540,  
552, 553, 546, 462, 463, 562, 566, 567, 569, 570,  
571, 573, 574, 559; 211/13, 32, 35, 38, 40, 41,  
46, 48, 59.2, 60.1, 68, 70.5, 70.6, 71, 72, 74, 75,  
87, 88, 104, 101, 105, 106, 113

[56] **References Cited**

**U.S. PATENT DOCUMENTS**

D. 186,561	11/1959	Howard	.....	D6/566
2,903,137	9/1959	Brown	.....	211/106
3,704,791	12/1972	Young, Jr.	.....	211/181
4,122,955	10/1978	Celms	.....	D6/566

4,298,127 11/1981 Upshaw et al. .... 211/126

*Primary Examiner*—B. J. Bullock

*Assistant Examiner*—Suzanne N. Gitlin

*Attorney, Agent, or Firm*—Dressler, Goldsmith, Shore,  
Sutker & Milnamow, Ltd.

[57] **CLAIM**

The oramental design for a wall mounted rack, substantially as shown and described.

**DESCRIPTION**

FIG. 1 is a front perspective view of a wall mounted rack showing my new design;

FIG. 2 is an enlarged side elevational view taken from the left of FIG. 1;

FIG. 3 is an enlarged bottom plan view thereof;

FIG. 4 is an enlarged top plan view thereof;

FIG. 5 is an enlarged front elevational view thereof;

FIG. 6 is a front perspective view of a second embodiment of FIG. 1;

FIG. 7 is an enlarged side elevational view taken from the left of FIG. 6;

FIG. 8 is an enlarged top plan view of FIG. 6;

FIG. 9 is an enlarged front elevational view of FIG. 6.

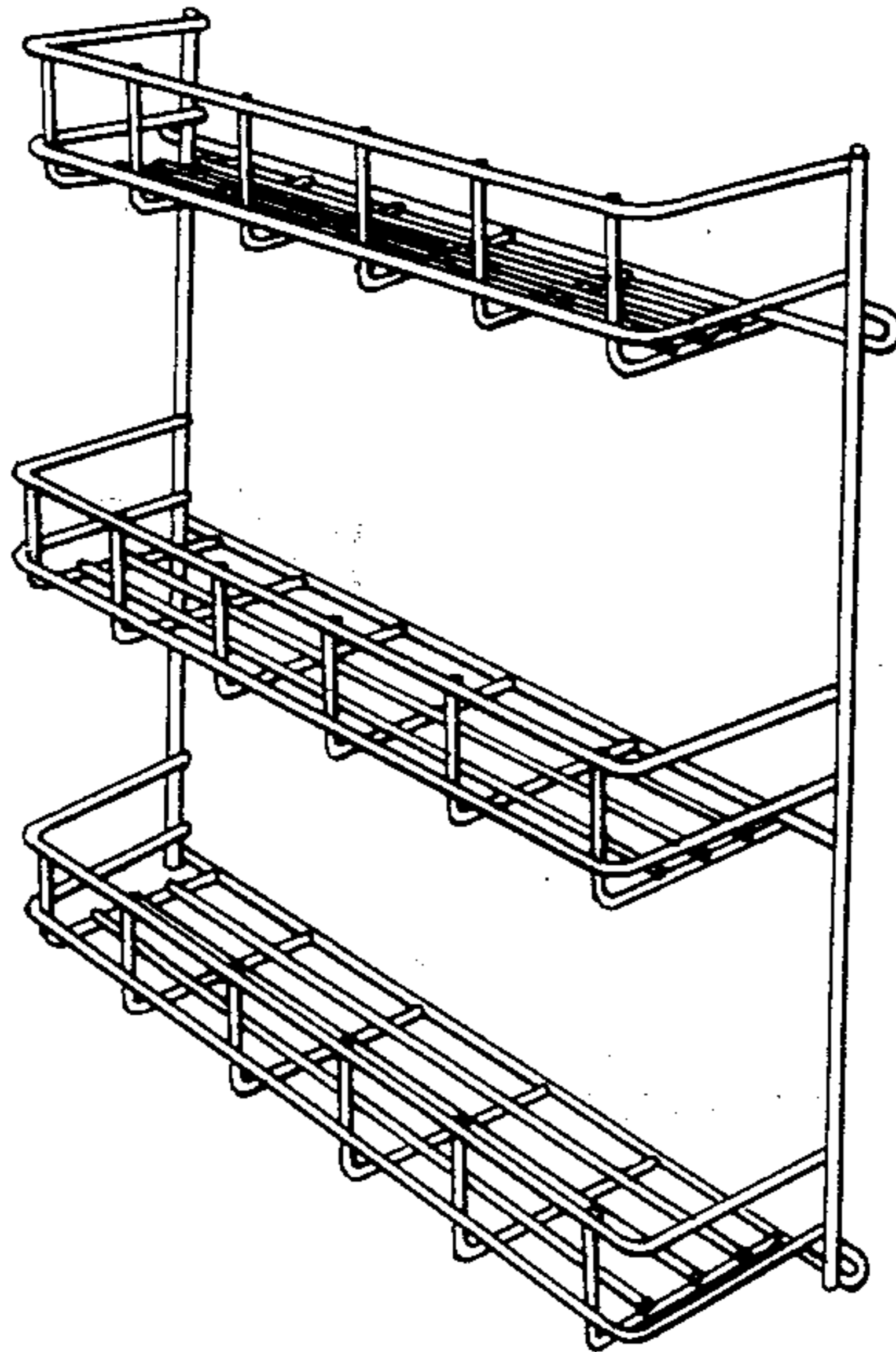


FIG. 2

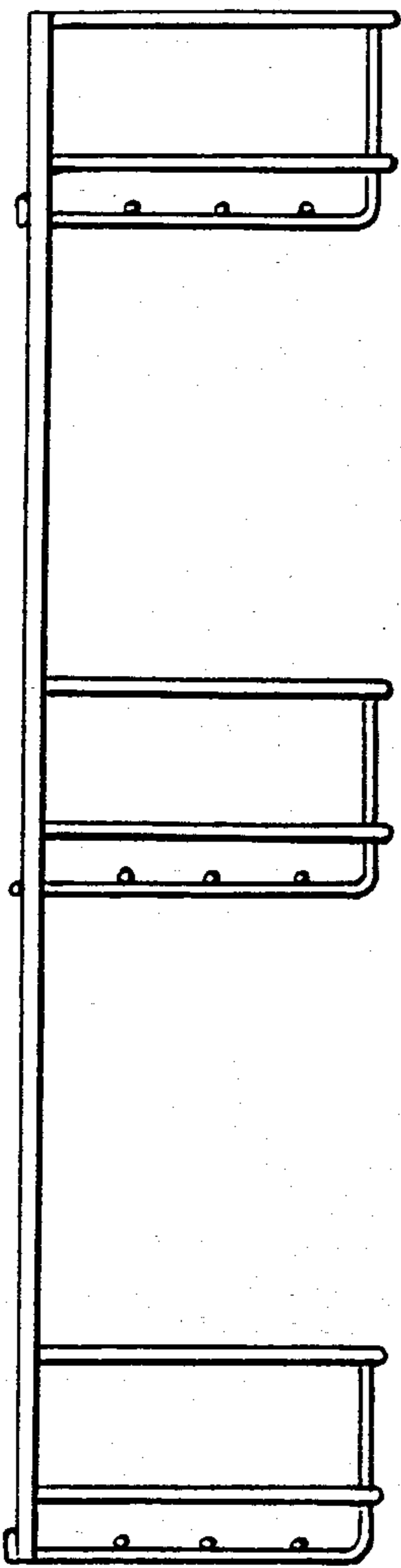


FIG. 1

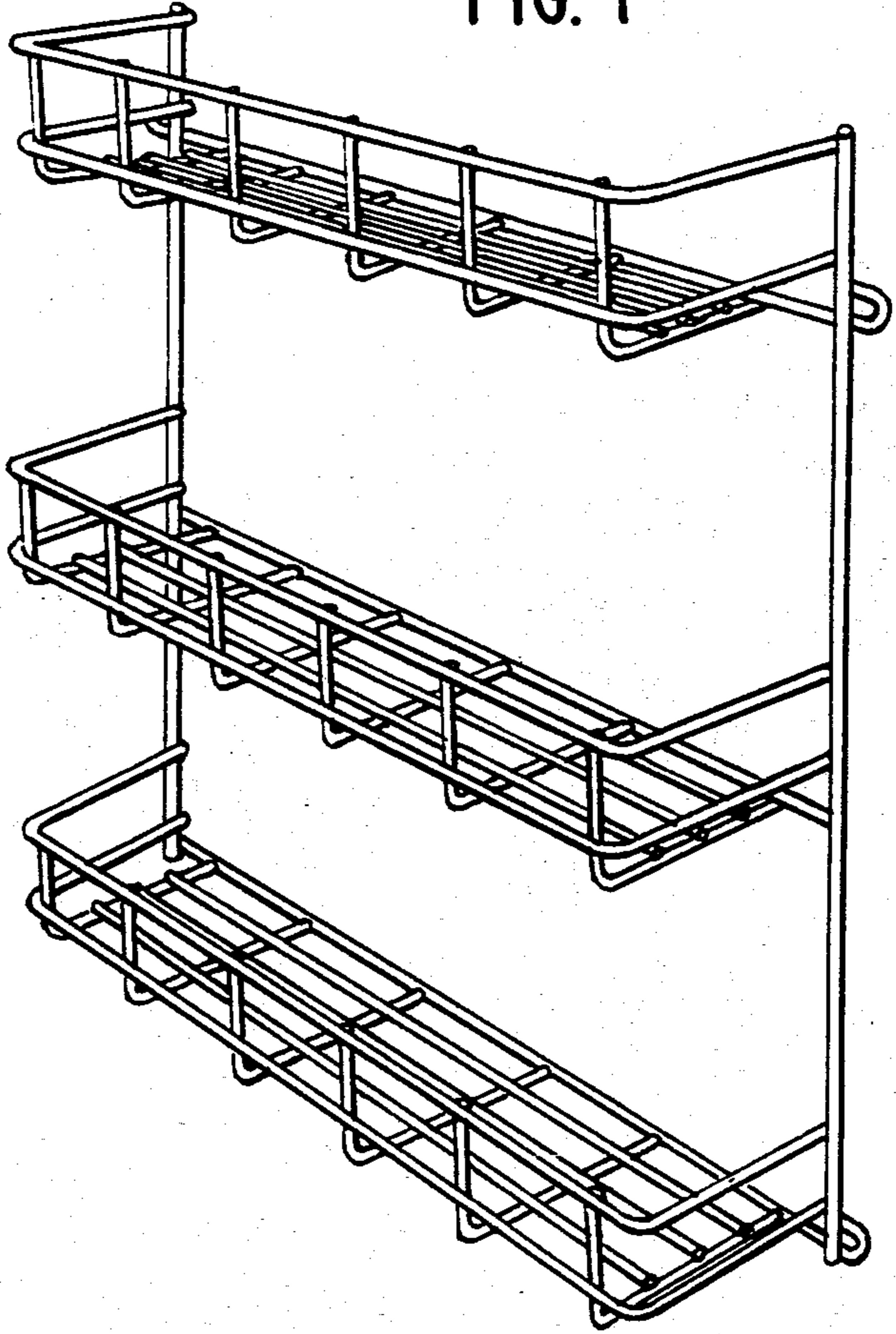


FIG. 3

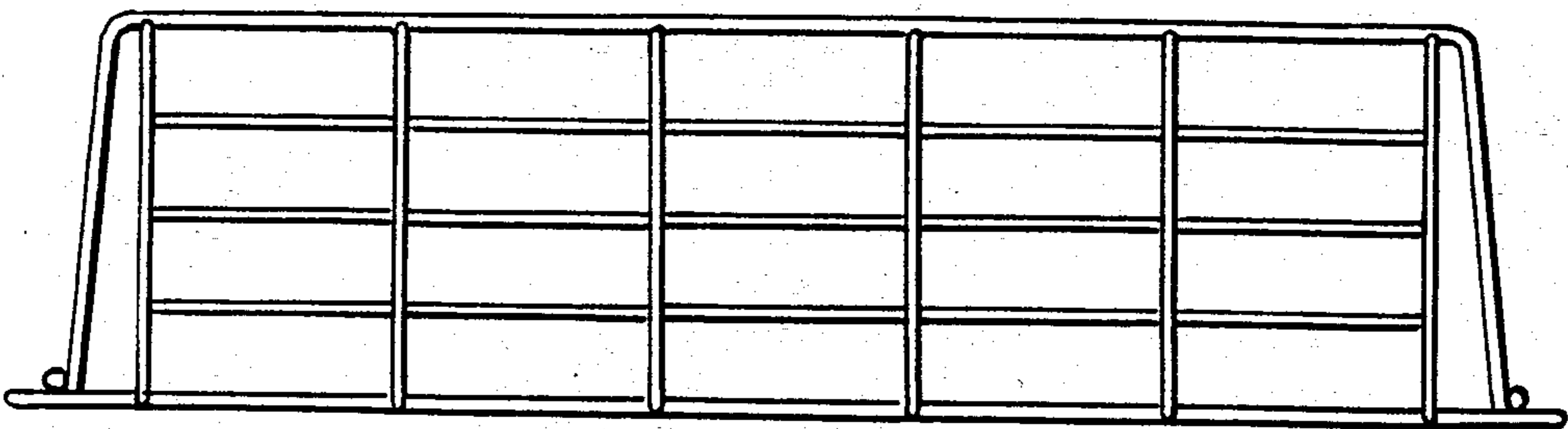


FIG. 4

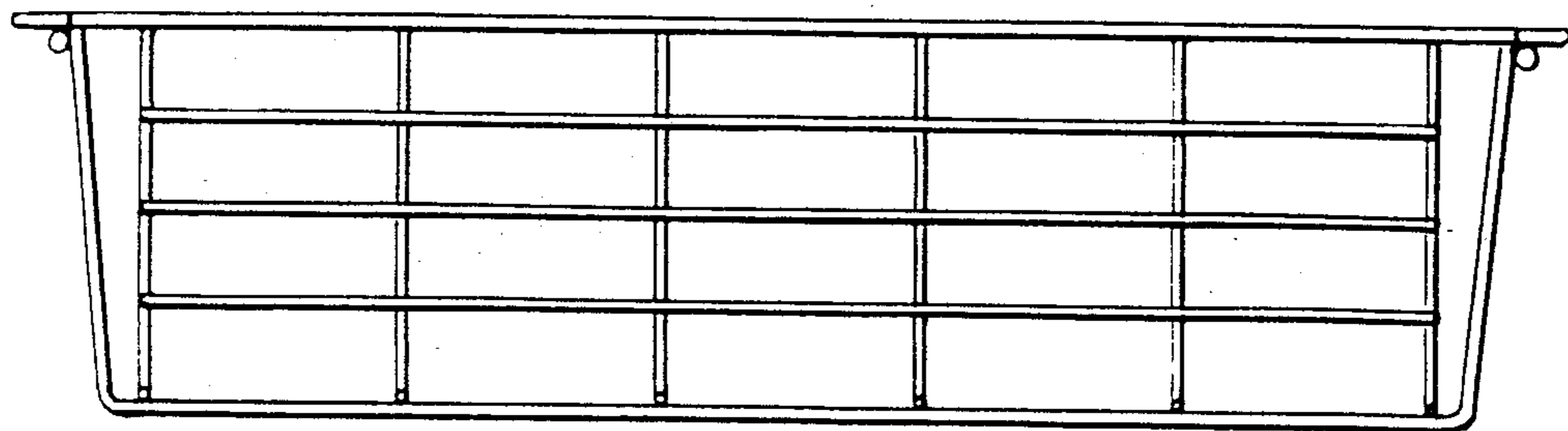


FIG. 5

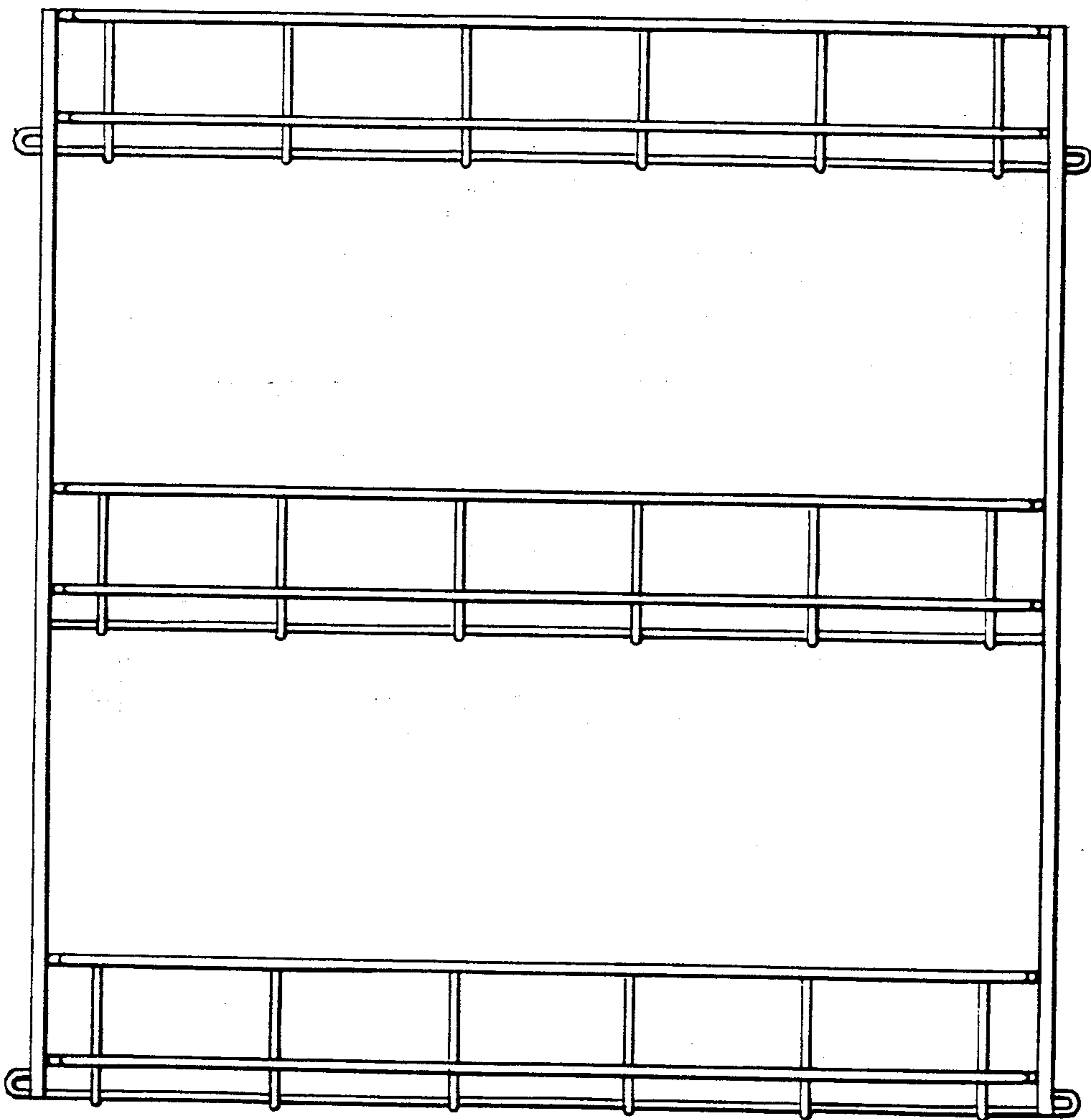


FIG. 7

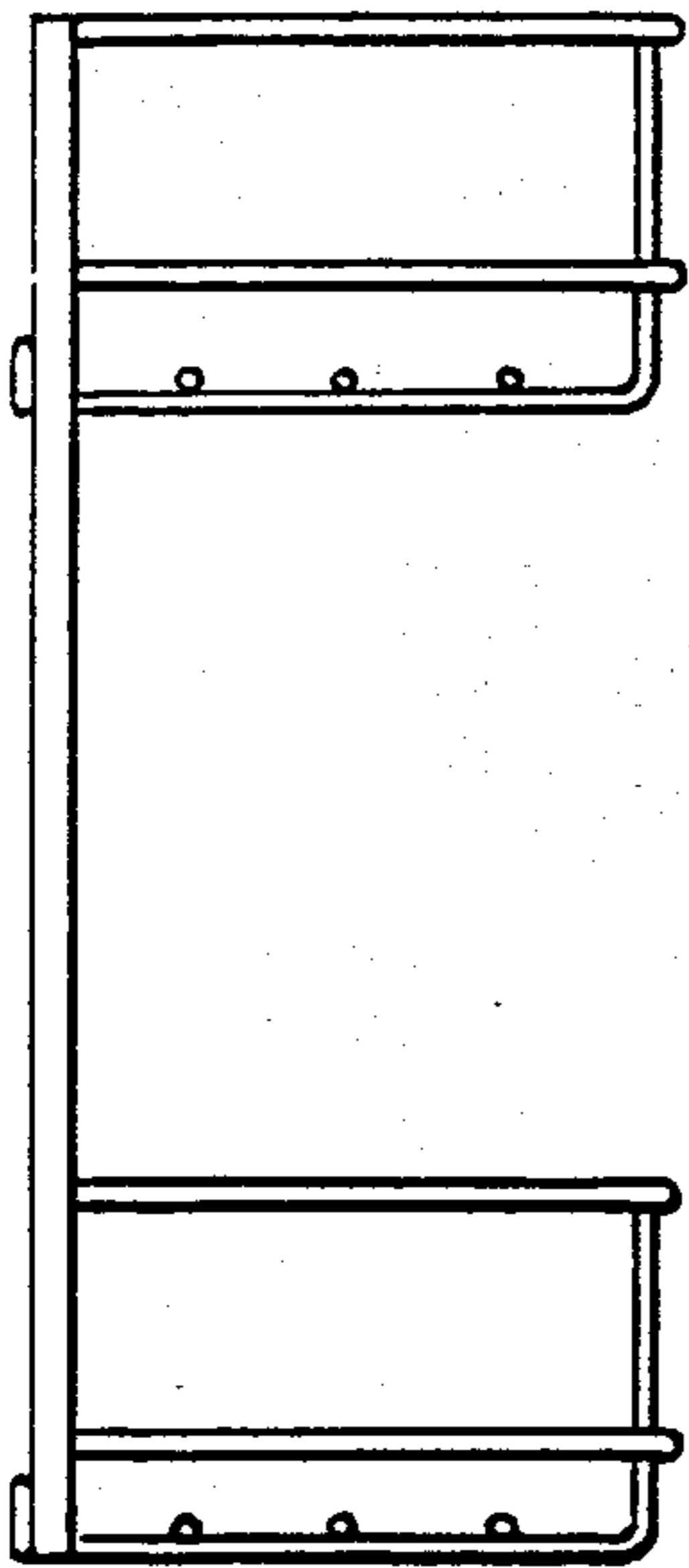


FIG. 6

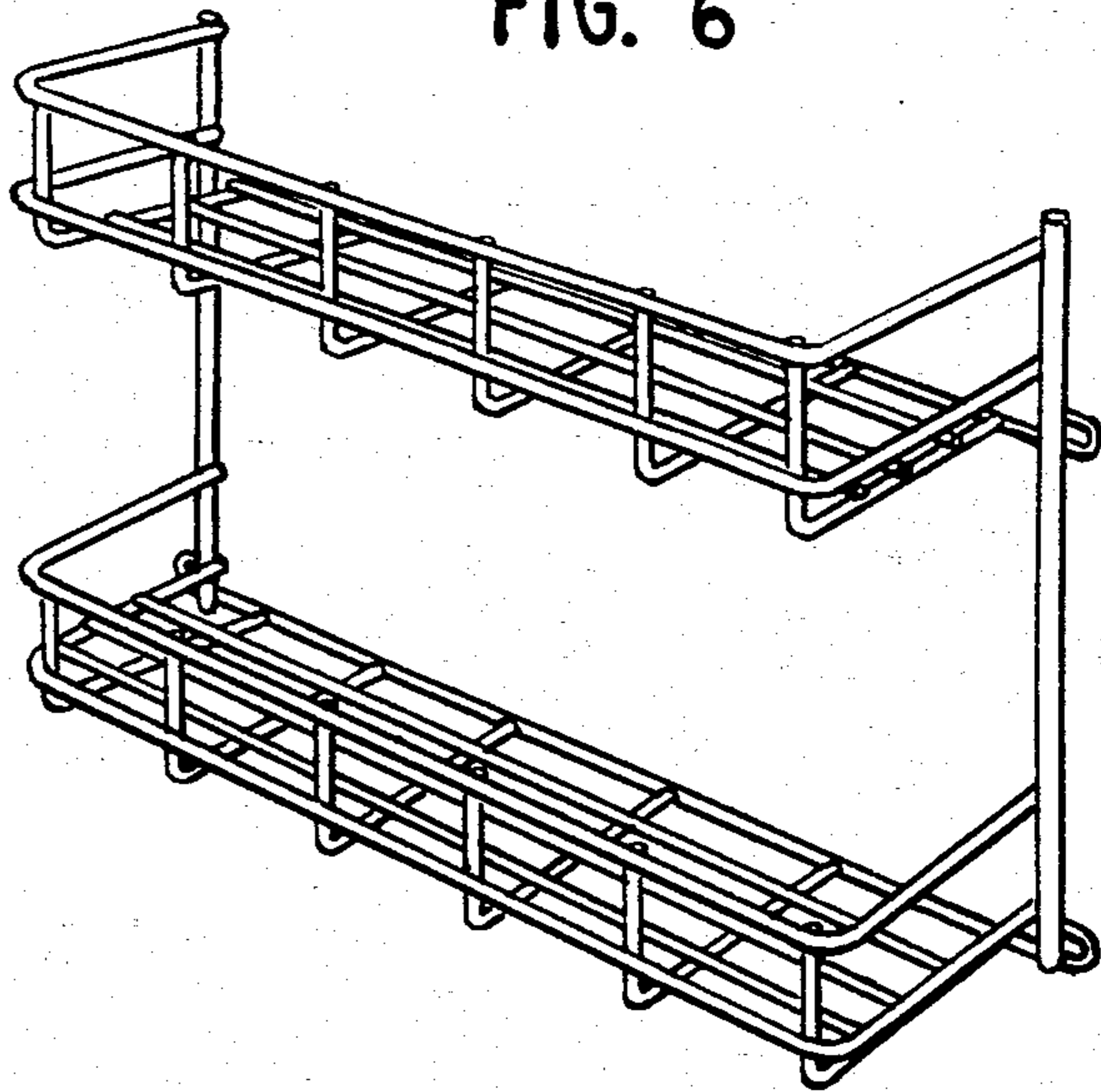


FIG. 8

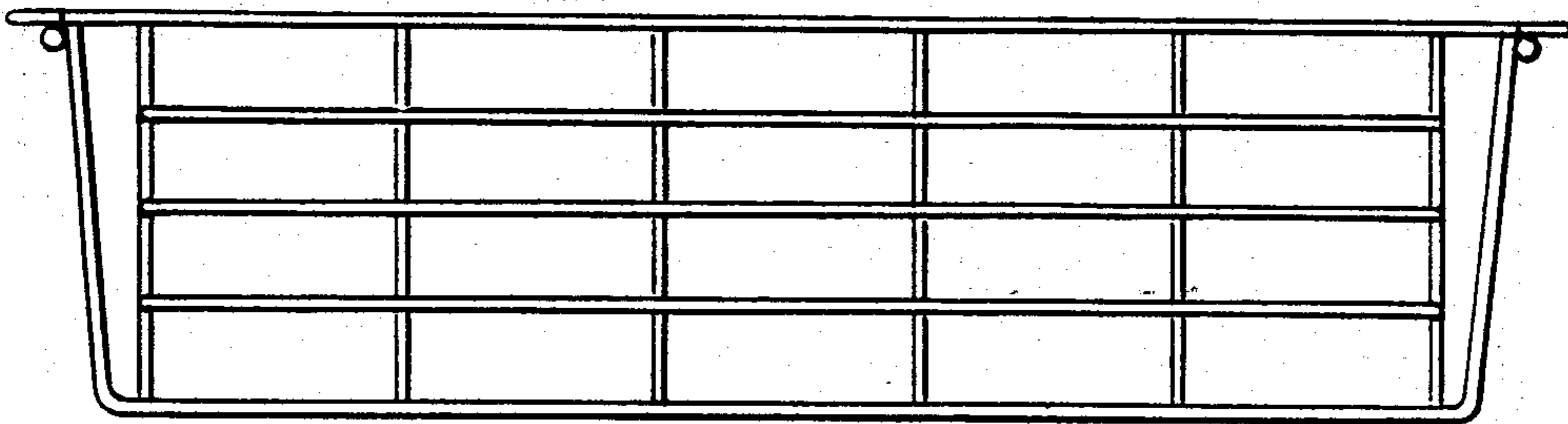


FIG. 9

