

[54] PORTABLE SUN SHIELD

D. 265,862 8/1982 Caldwell ..... D3/5  
D. 266,385 10/1982 Musgrove et al. .... D6/500

[76] Inventor: Travis Allen, 16 Rhode Island Ave.,  
N.E., Washington, D.C. 20002

Primary Examiner—Bruce W. Dunkins  
Attorney, Agent, or Firm—Armstrong, Nikaido,  
Marmelstein & Kubovcik

[\*\*] Term: 14 Years

[21] Appl. No.: 550,685

[57] CLAIM

The ornamental design for a portable sun shield, as  
shown and described.

[22] Filed: Nov. 10, 1983

[52] U.S. Cl. .... D6/500

[58] Field of Search ..... D3/5; D6/335, 478, 500;  
248/441 C, 156, 158; 211/86, 105.1, 126;  
297/184; 135/5 R, 16

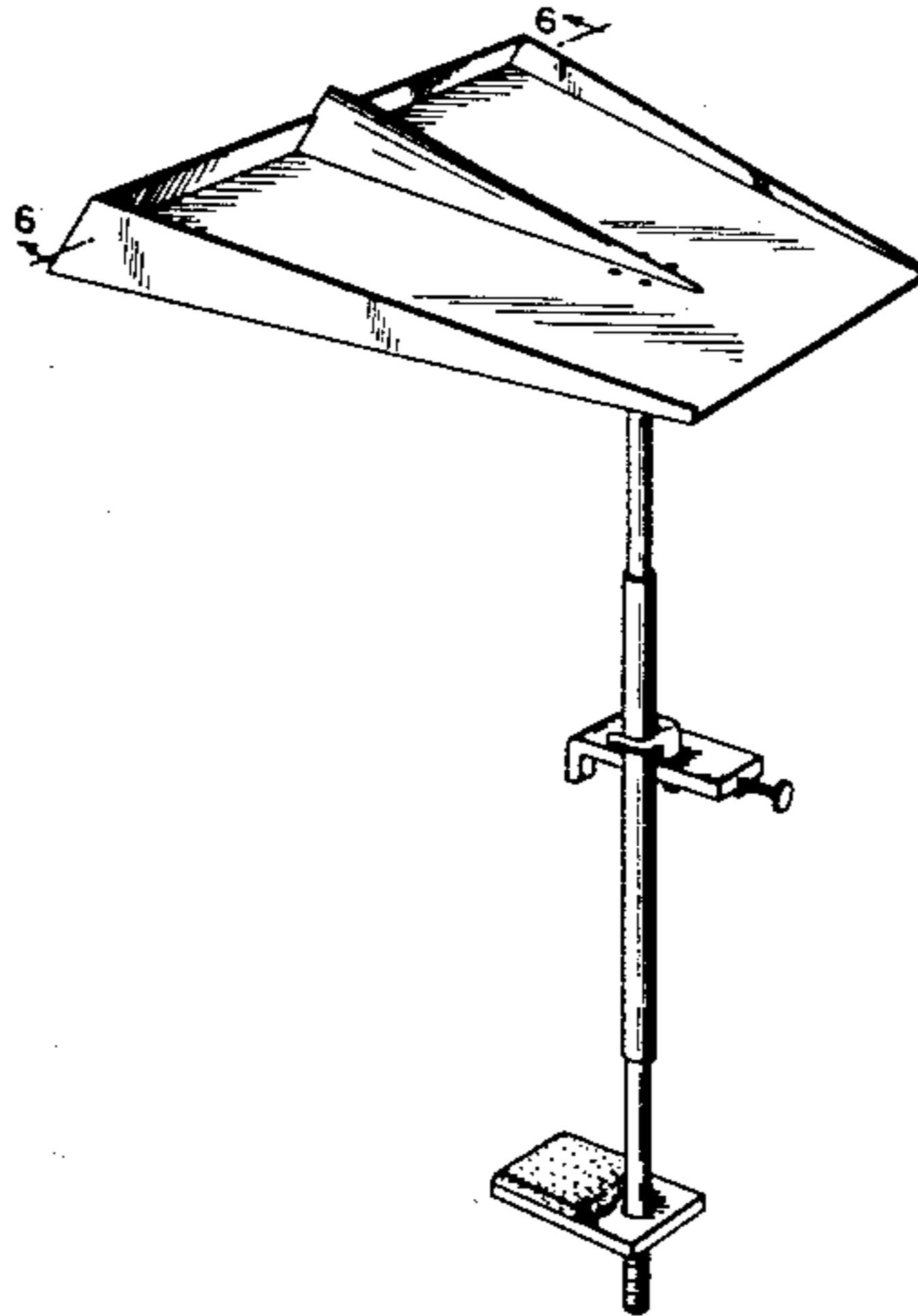
DESCRIPTION

FIG. 1 is a perspective view of a portable sun shield  
showing my new design;  
FIG. 2 is a frontal view thereof;  
FIG. 3 is a top view thereof;  
FIG. 4 is a bottom view thereof;  
FIG. 5 is a right side view thereof, the left side view  
being identical;  
FIG. 6 is a lateral cross-sectional view of a portion  
thereof through lines 6—6 of FIG. 1; and  
FIG. 7 is a longitudinal cross-sectional view of a portion  
thereof through lines 7—7 of FIG. 3.

[56] References Cited

U.S. PATENT DOCUMENTS

- D. 220,991 6/1971 Riley ..... D3/5 X
- D. 244,860 10/1972 Leitch et al. .... D6/335
- D. 250,300 11/1978 Rohr ..... D6/335
- D. 254,821 4/1980 Rabas ..... D6/478 X
- D. 255,958 7/1980 Browning ..... D3/5
- D. 261,843 11/1981 Wall ..... D6/335 X



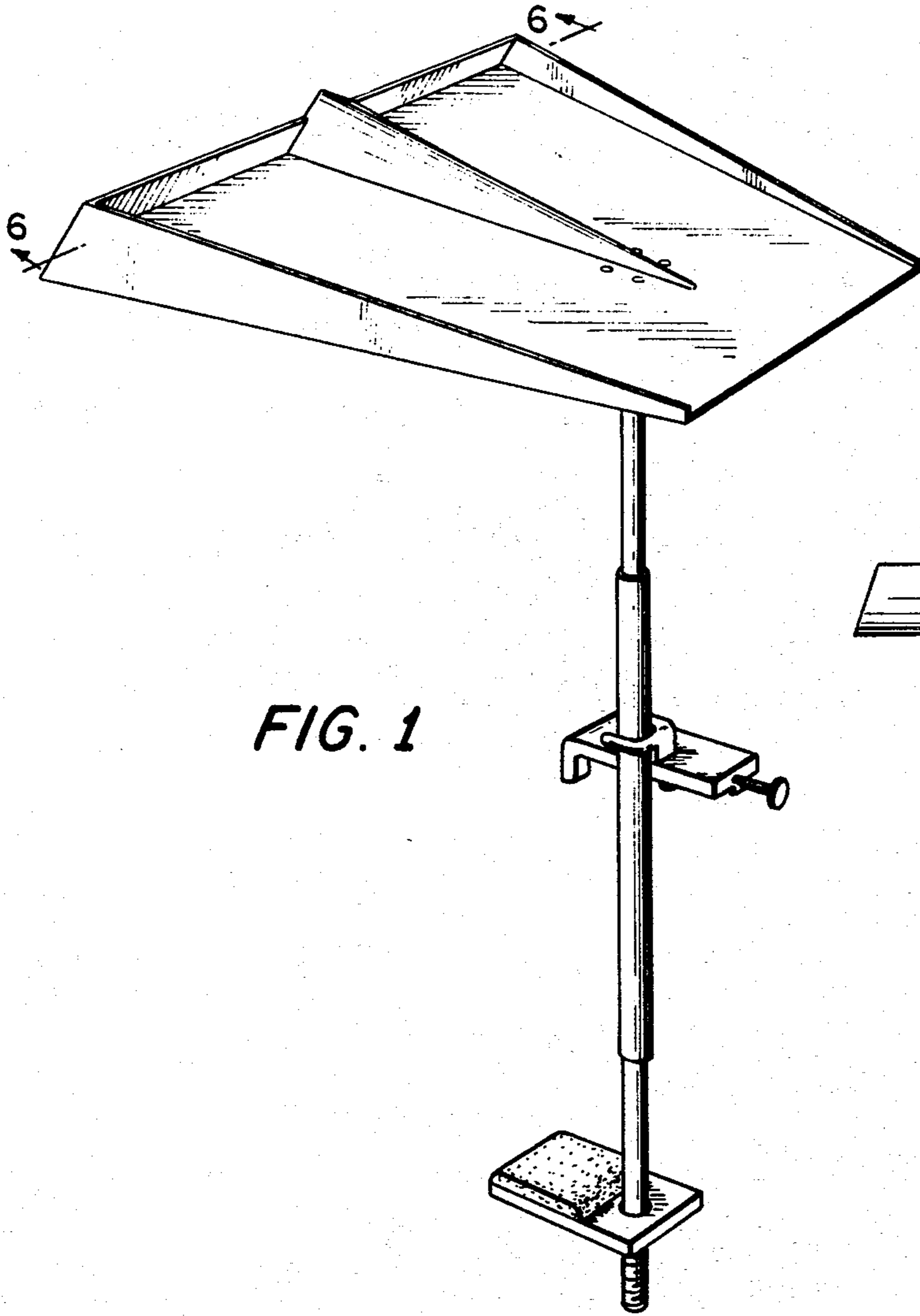


FIG. 1

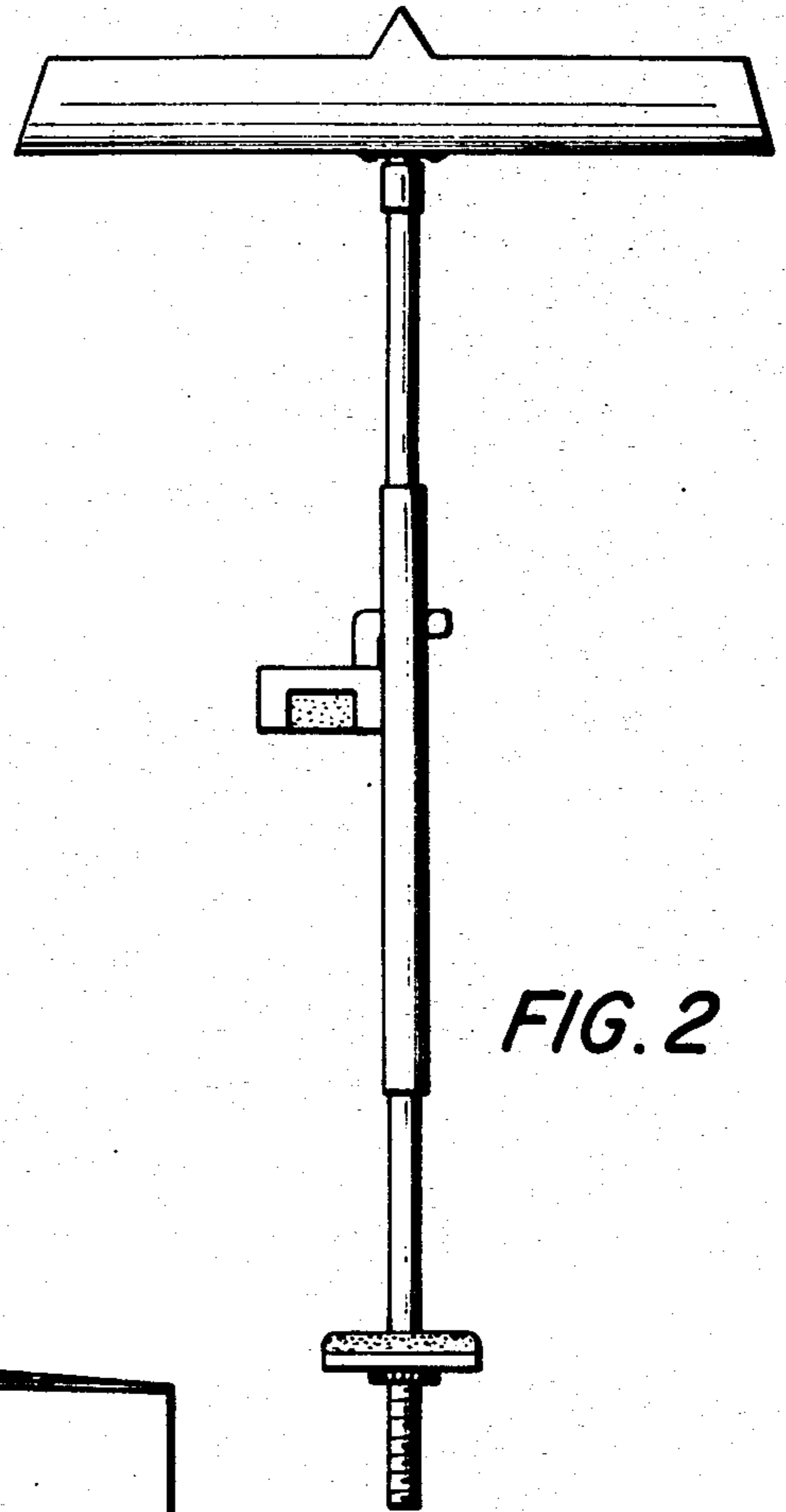


FIG. 2

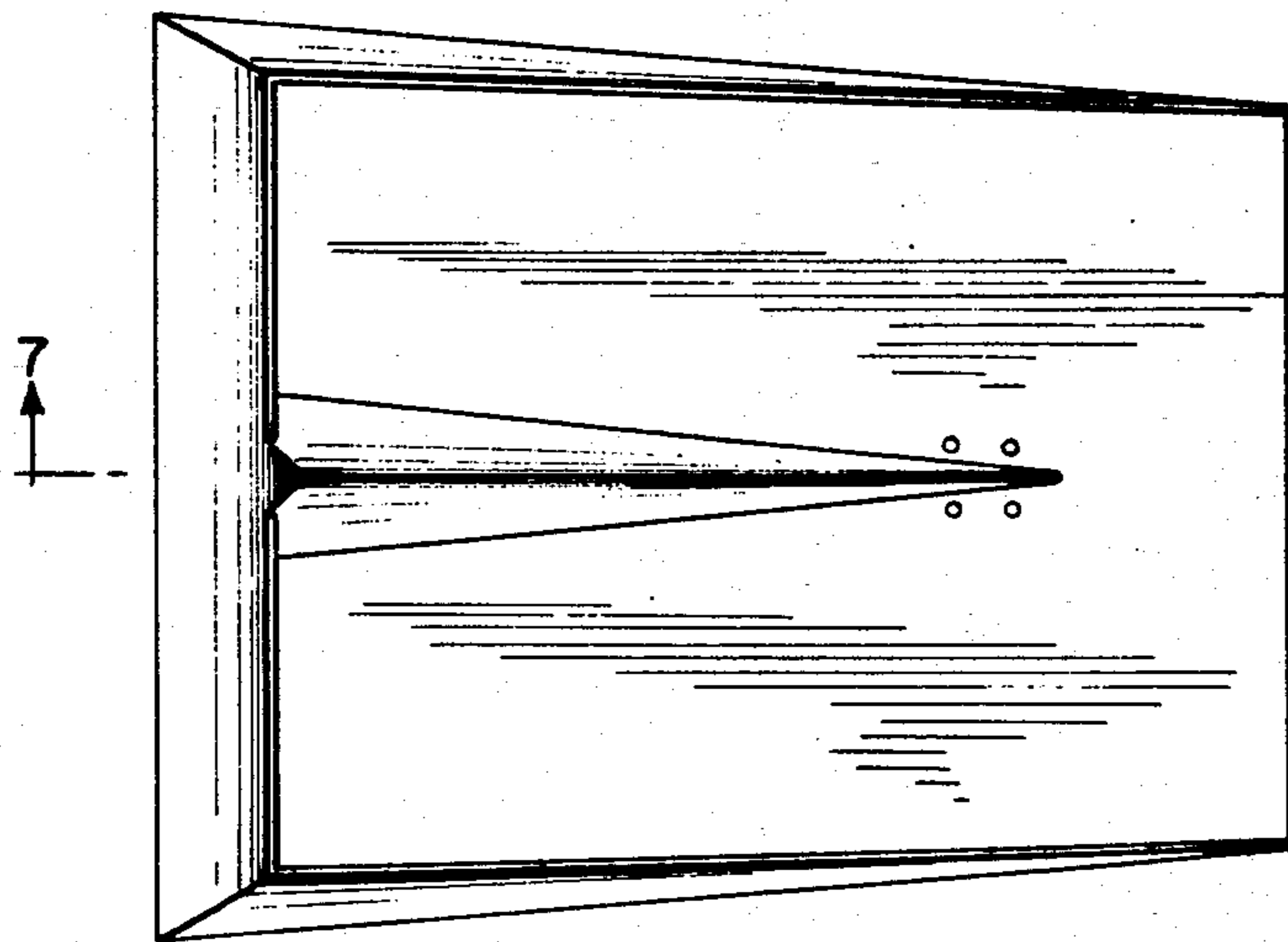


FIG. 3

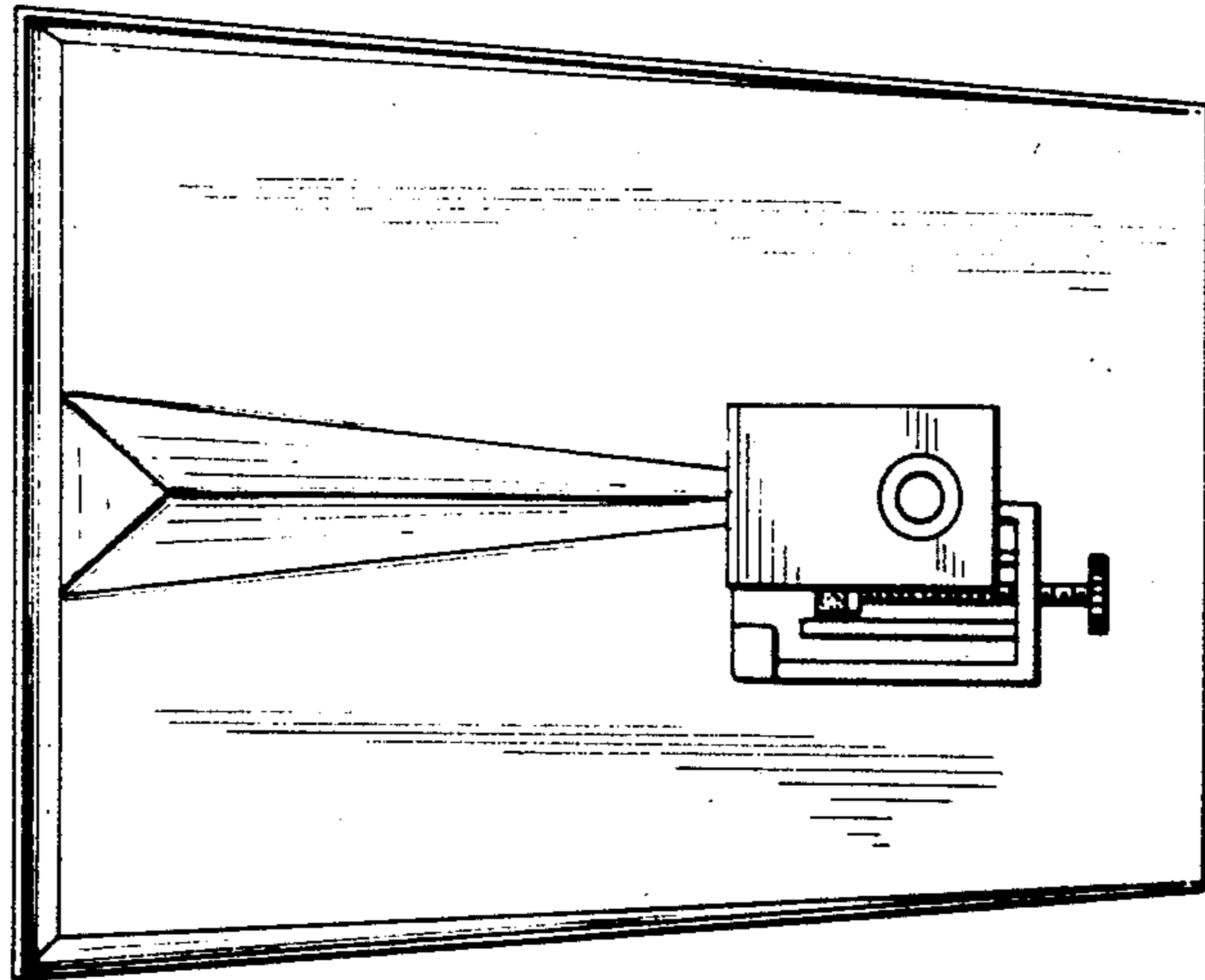


FIG. 4

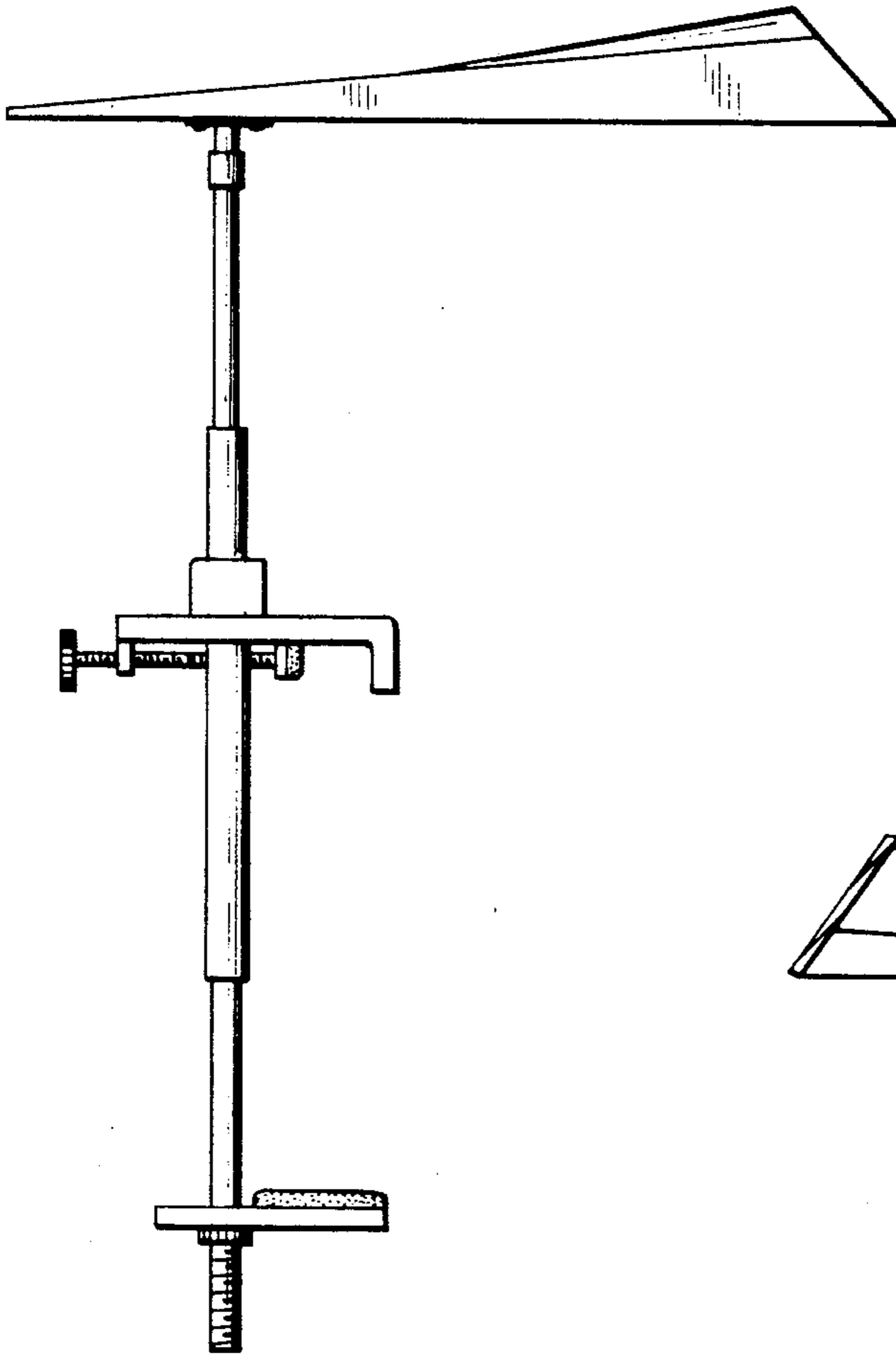


FIG. 5



FIG. 6

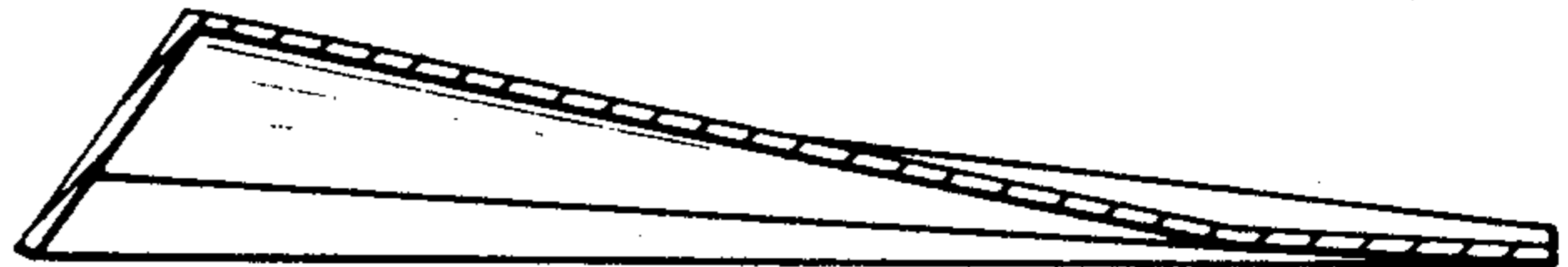


FIG. 7