

[54] **LITERATURE AND INFORMATION
DISPLAY RACK**

[76] Inventor: **Eleanor V. Kingsley**, 439 Willamette
La., Claremont, Calif. 91711

[**] Term: **14 Years**

[21] Appl. No.: **508,950**

[22] Filed: **Jun. 29, 1983**

[52] U.S. Cl. **D6/476; D6/449;**
D6/467

[58] Field of Search **D6/470, 471, 476, 475,**
D6/474, 436

[56] **References Cited**

U.S. PATENT DOCUMENTS

D. 236,398 8/1975 Alippe et al. D6/461 X
D. 261,829 11/1981 Brand D6/461
D. 271,387 11/1983 Lentz et al. D6/436 X
D. 274,014 5/1984 Reiner D6/476 X

D. 277,440 2/1985 Cartwright D6/476

Primary Examiner—Bruce W. Dunkins
Attorney, Agent, or Firm—Adduci, Dinan & Mastriani

[57] **CLAIM**

The ornamental design for a literature and information display rack, as shown and described.

DESCRIPTION

FIG. 1 is a perspective view of a literature and information display rack showing my design;

FIG. 2 is a side view of the literature and information display rack, each of the four sides being identical.

FIG. 3 is a side view of the literature and information display rack showing a second embodiment of one side panel, each of the four sides being identical.

FIG. 4 is a top view of the literature and information display rack.

FIG. 5 is a side view of the literature and information display rack showing a third embodiment of one side panel, each of the four sides being identical.

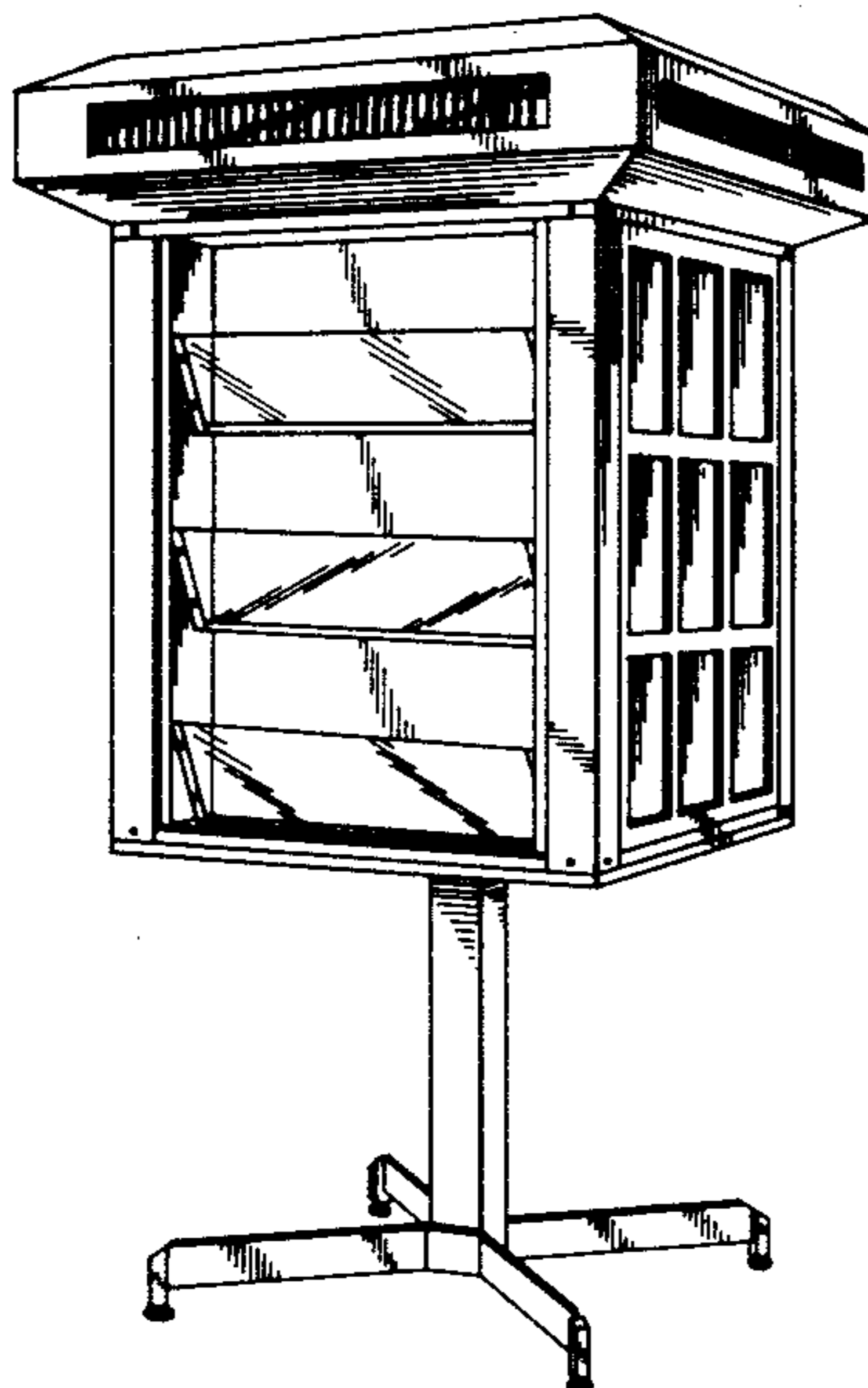


FIG. 1.

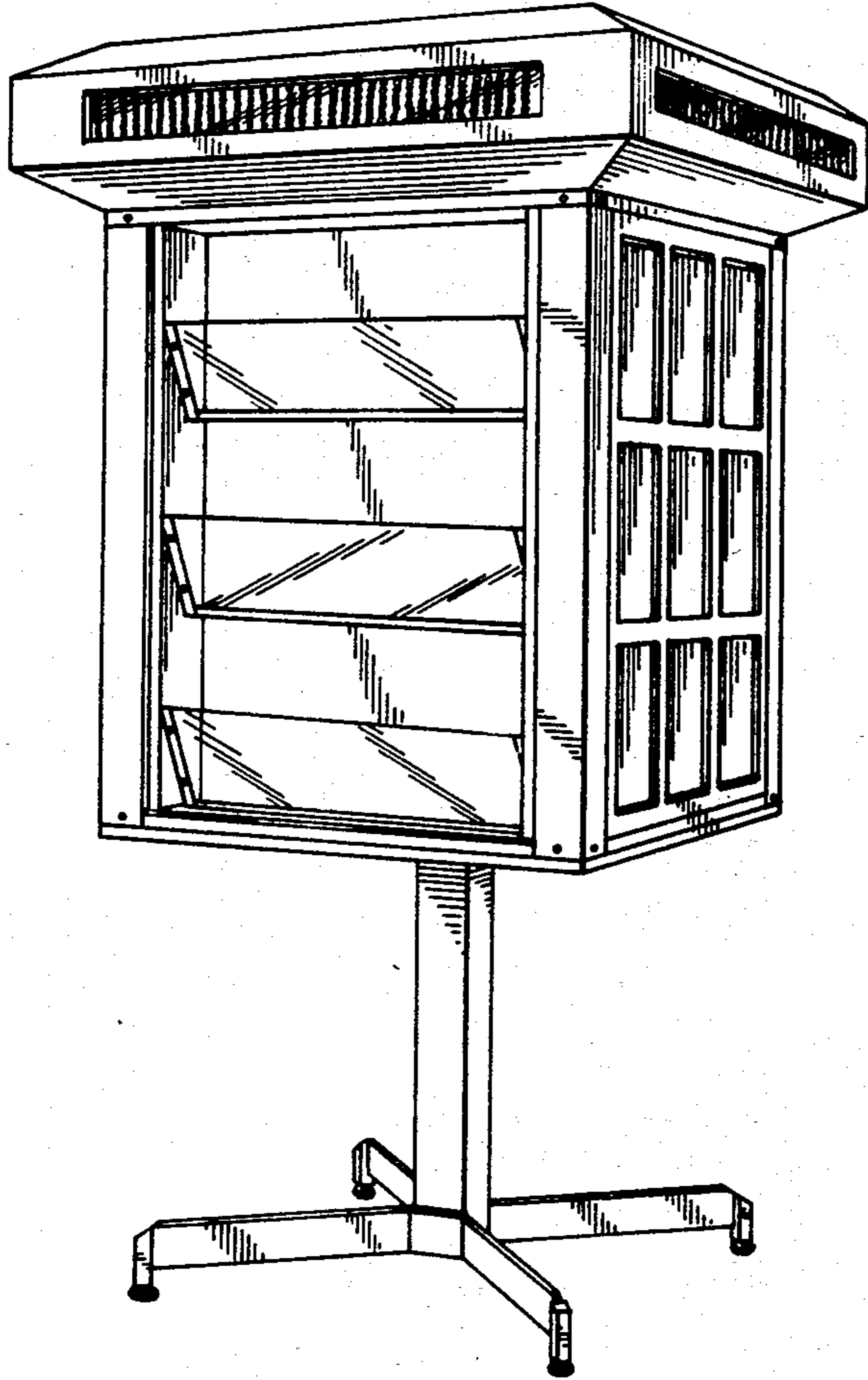


FIG. 2.

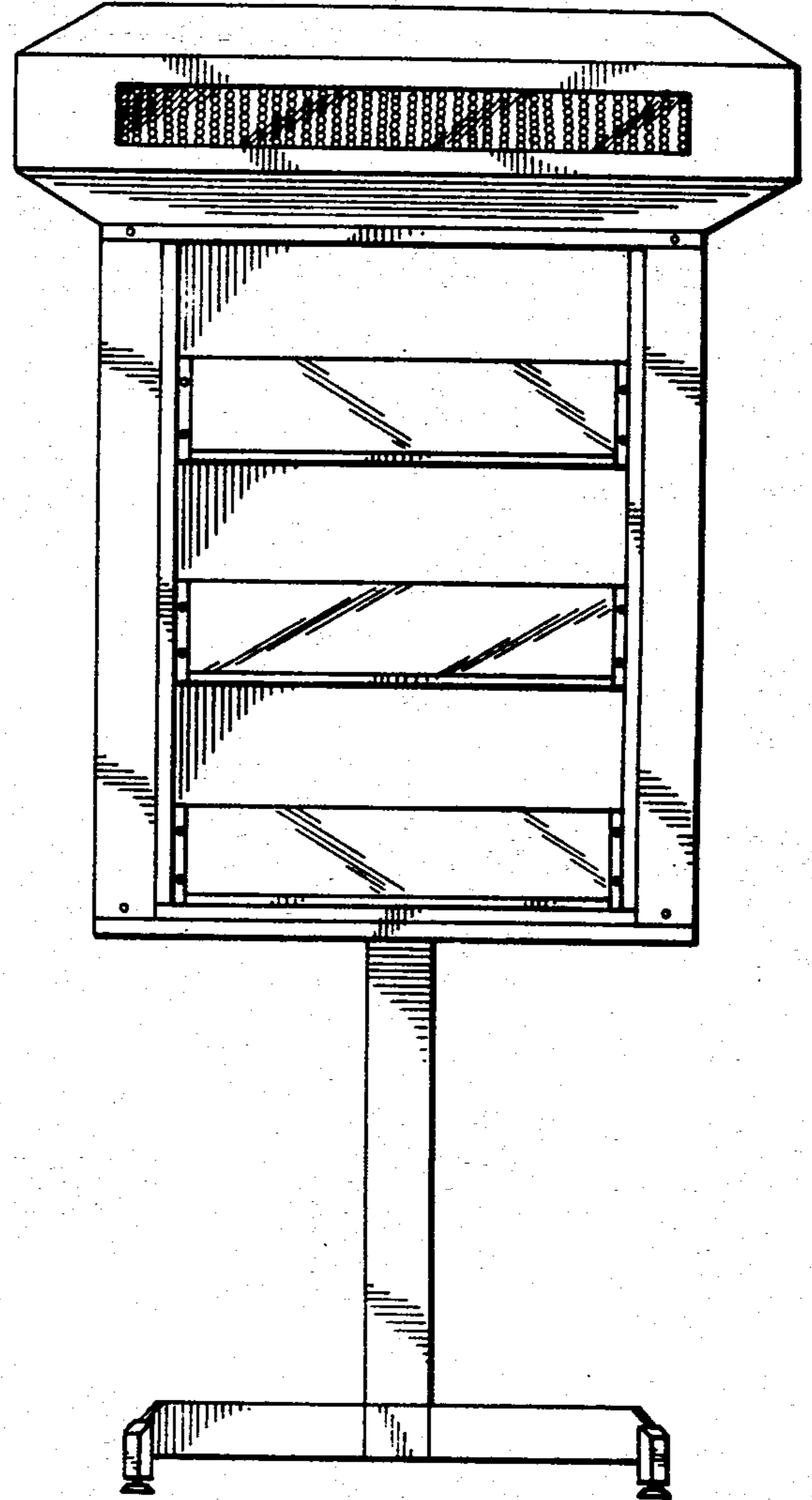


FIG. 4.

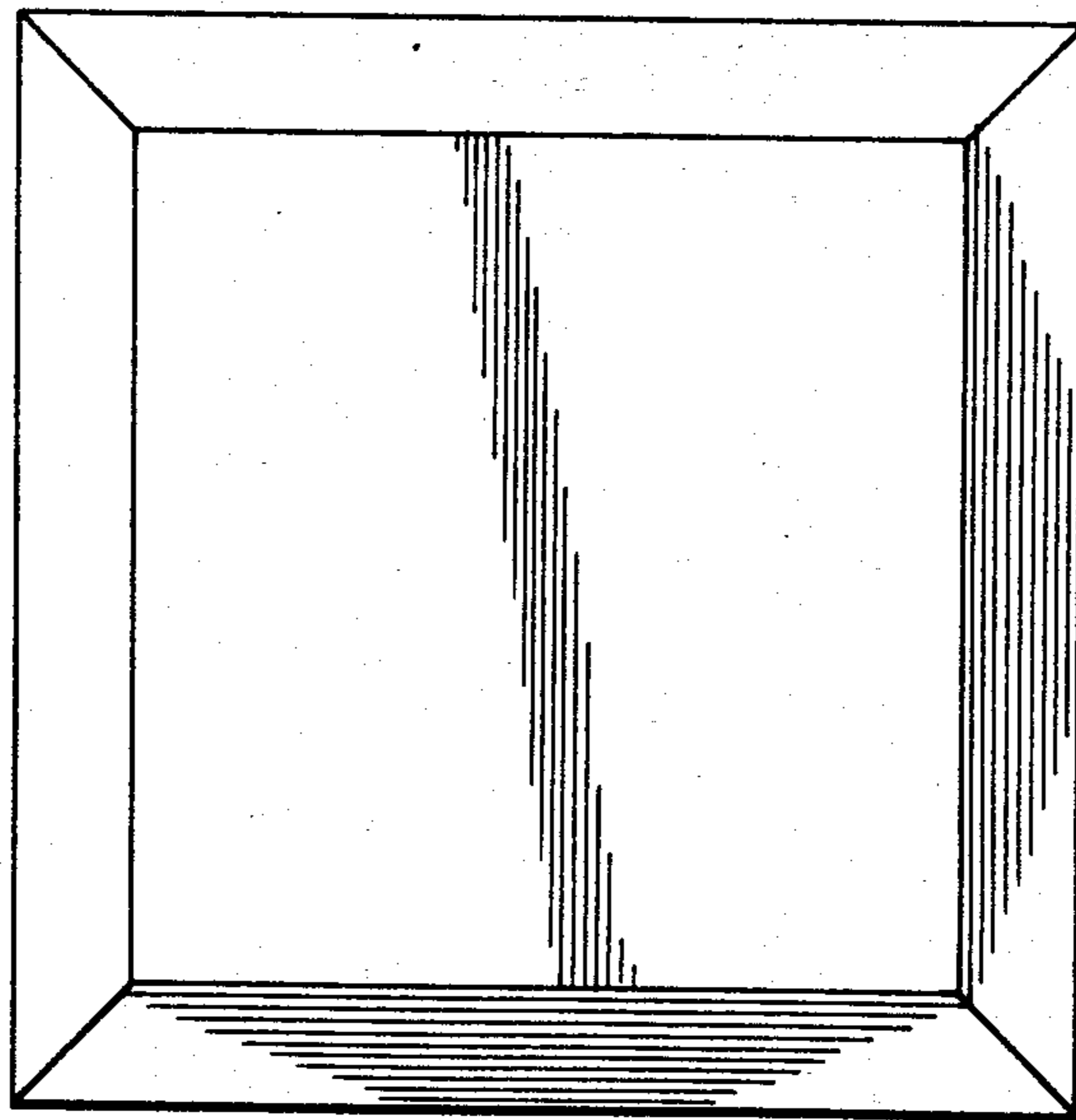


FIG. 5.

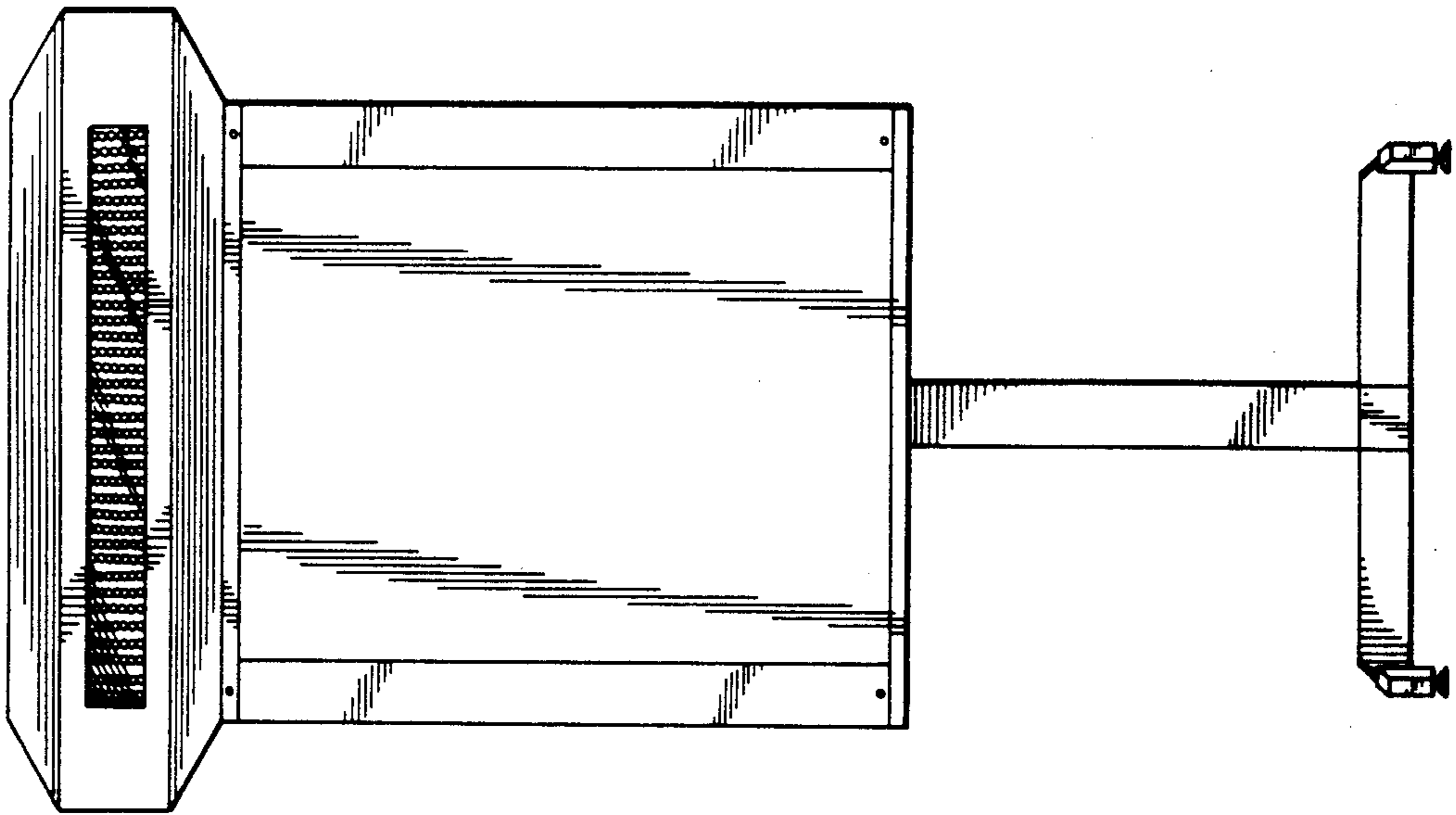


FIG. 3.

