

[54] SEATING UNIT

[75] Inventor: Pierluigi Molinari, Milan, Italy

[73] Assignee: Ambiente International S.R.L., Bari, Italy

[**] Term: 14 Years

[21] Appl. No.: 548,535

[22] Filed: Nov. 3, 1983

[30] Foreign Application Priority Data

May 5, 1983 [IT] Italy 21747 B/83
[52] U.S. Cl. D6/381; D6/335
[58] Field of Search D6/349, 370, 381, 335, D6/336, 337; 297/135, 170, 171

[56] References Cited

U.S. PATENT DOCUMENTS

Table with 4 columns: Patent No., Date, Inventor, and Reference Code. Rows include Frank (D6/370 X), Wagner (D6/381 X), Henebry et al. (D6/381 X), Suzuki (D6/349), and Longley (D6/381 X).

Primary Examiner—Bruce W. Dunkins
Attorney, Agent, or Firm—Fleit, Jacobson, Cohn & Price

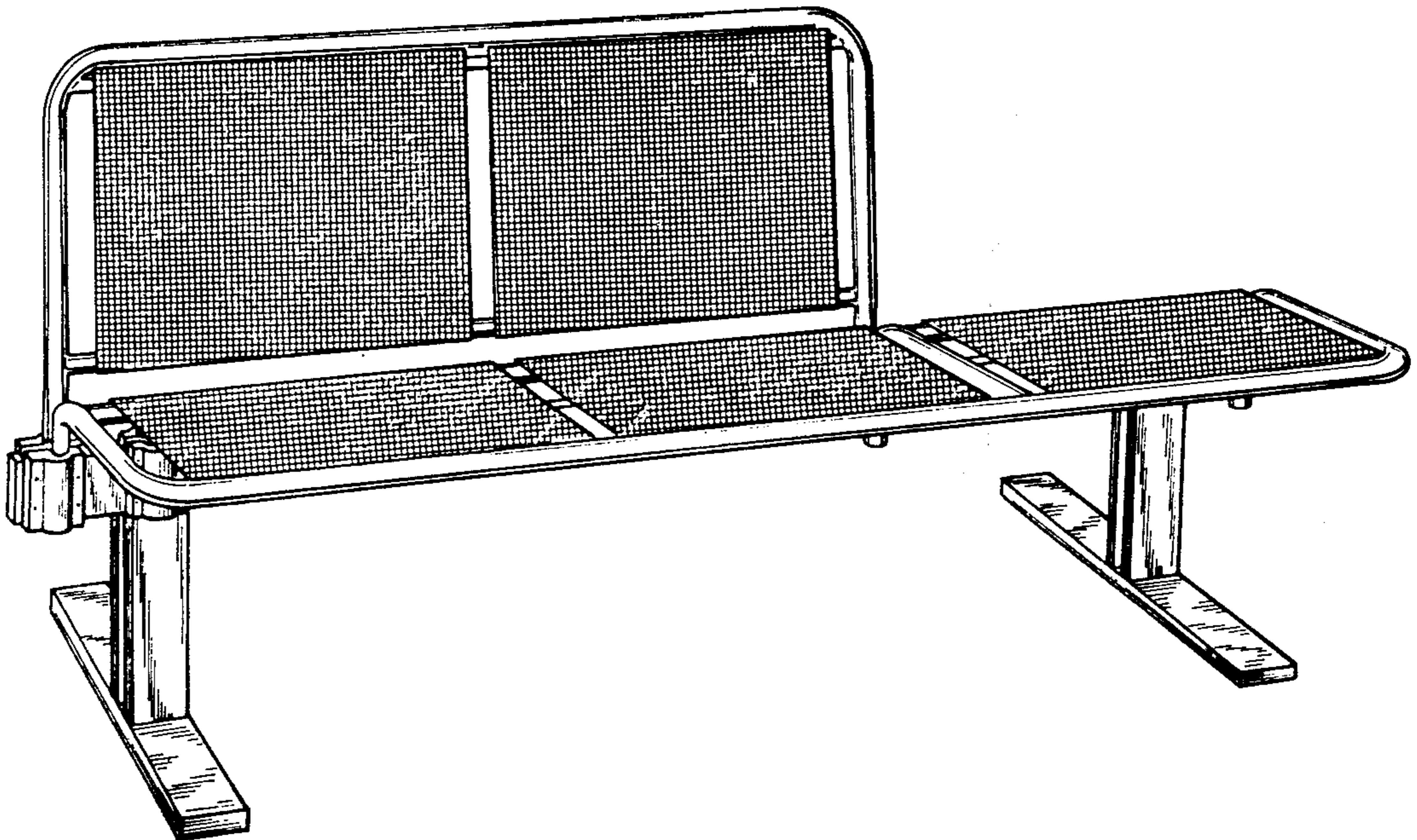
[57] CLAIM

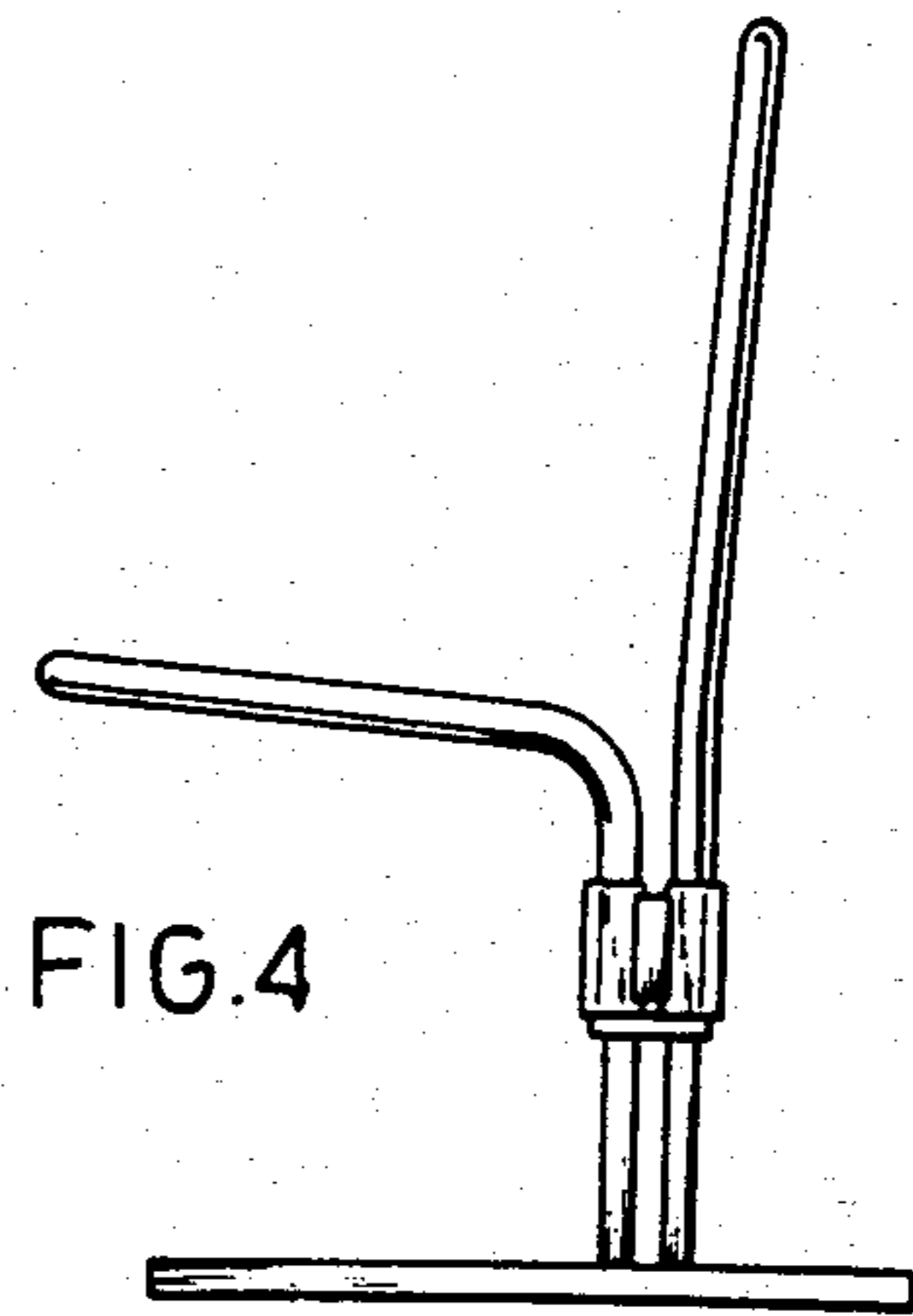
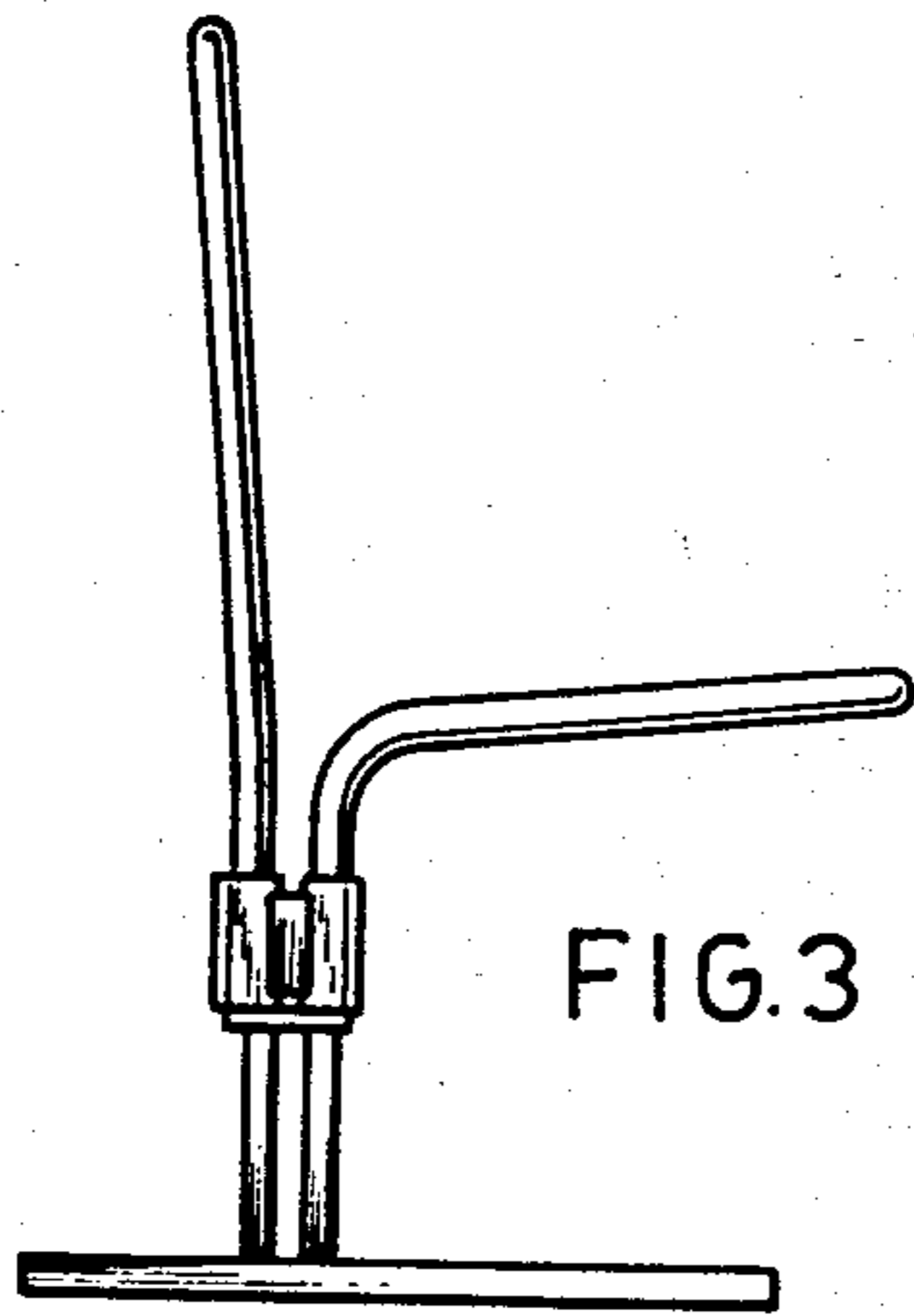
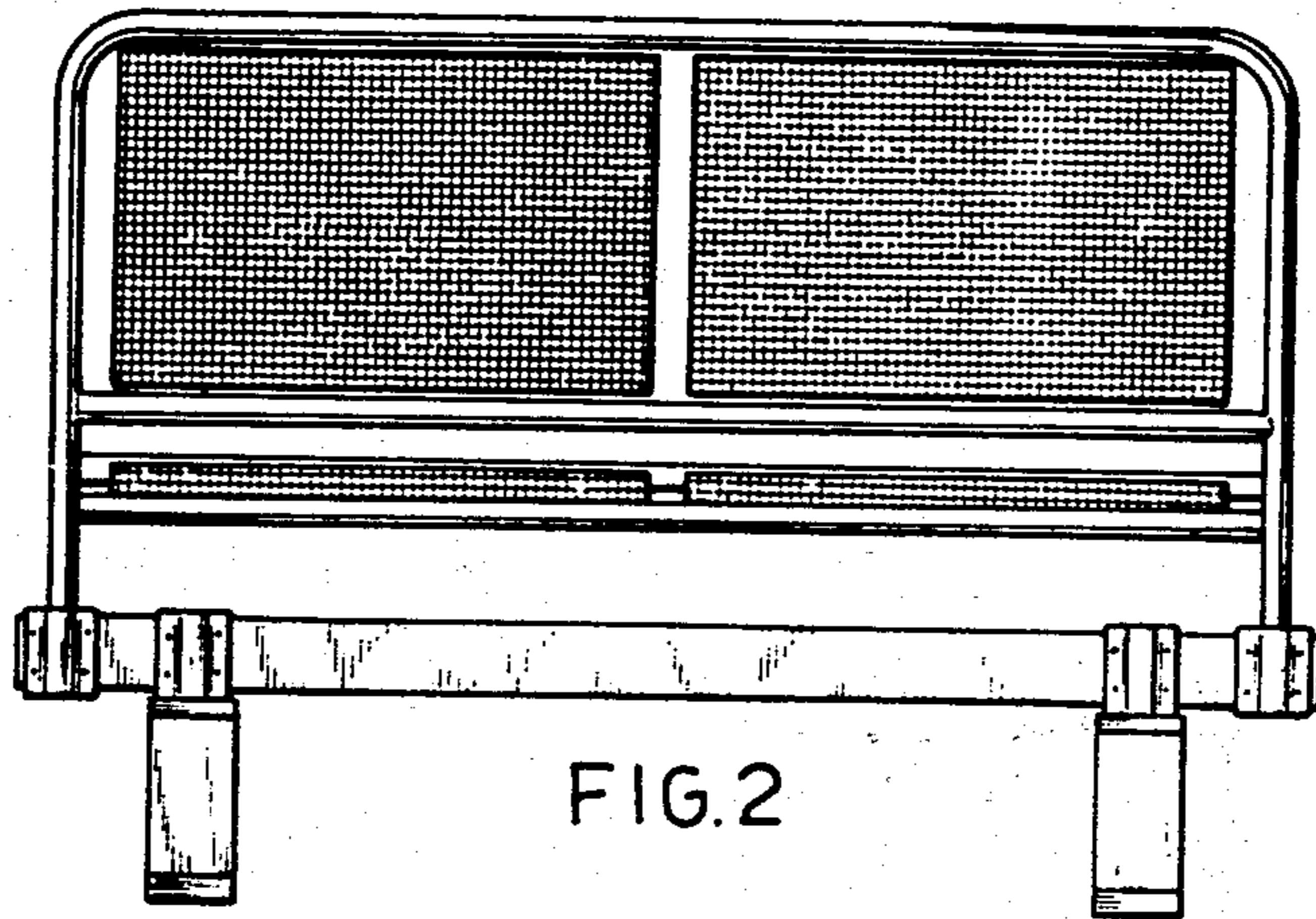
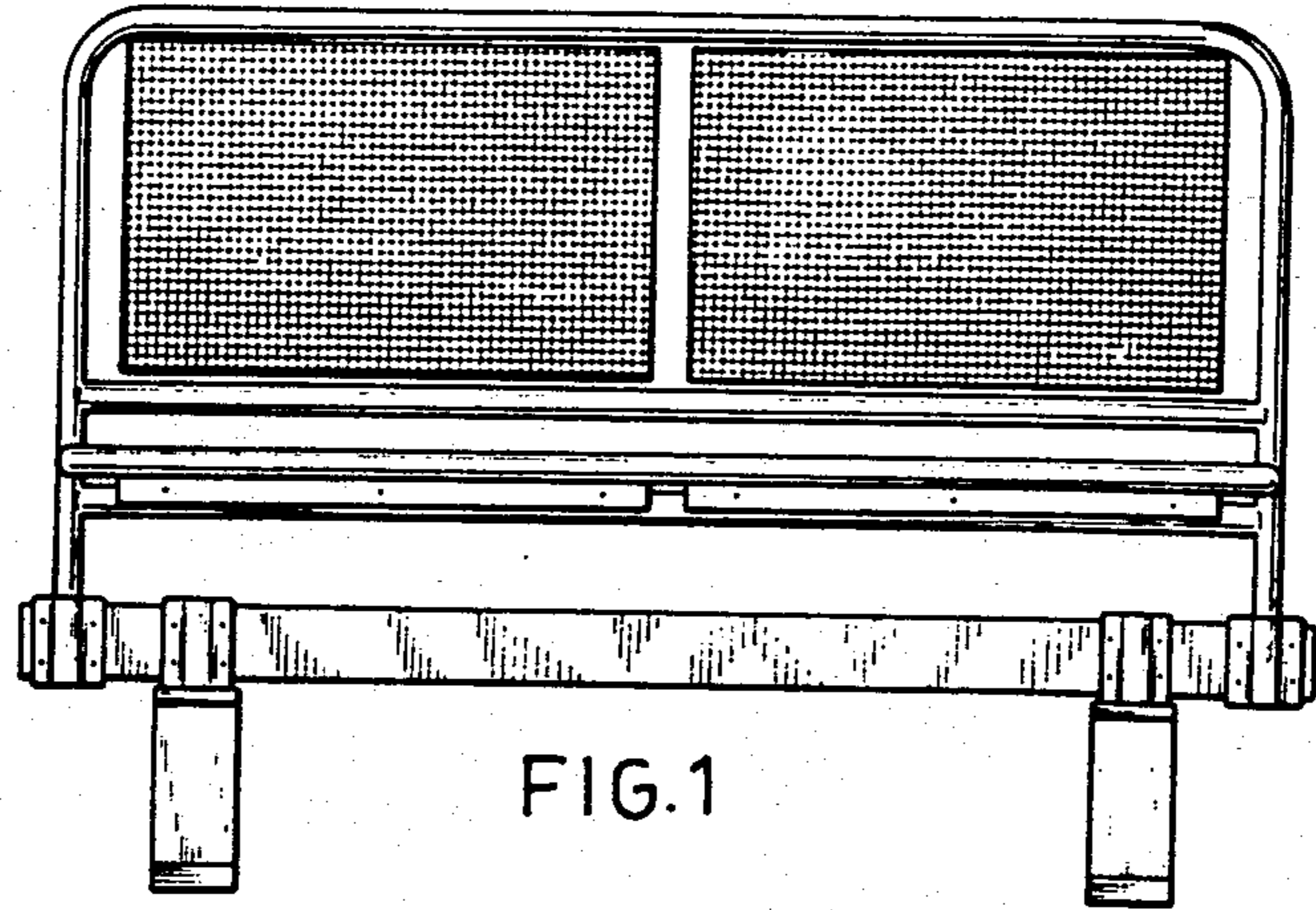
The ornamental design for a seating unit, substantially as shown.

DESCRIPTION

FIG. 1 is a front elevational view of a seating unit show-

ing my design in the form of a bench comprised of two seats;
FIG. 2 is a back view thereof with respect to FIG. 1;
FIG. 3 is a side view thereof with respect to FIG. 1;
FIG. 4 is a side view taken from the opposite side with respect to FIG. 3;
FIG. 5 is a top view thereof with respect to FIG. 1;
FIG. 6 is a bottom view thereof with respect to FIG. 1;
FIG. 7 is a front elevational view of a seating unit showing my design in the form of a bench comprised of three seats;
FIG. 8 is a back view of the bench thereof with respect to FIG. 7;
FIG. 9 is a side view of the bench thereof with respect to FIG. 7;
FIG. 10 is a side view taken from the opposite side with respect to FIG. 9;
FIG. 11 is a top view thereof with respect to FIG. 7;
FIG. 12 is a bottom view thereof with respect to FIG. 7;
FIG. 13 is a front elevational view of a modified form of the seating unit of FIG. 1 showing my design and being comprised of two seats and a luggage rack;
FIG. 14 is a back view of the bench of FIG. 13;
FIG. 15 is a side view thereof with respect to FIG. 13;
FIG. 16 is a side view taken from the opposite side with respect to FIG. 15;
FIG. 17 is a top view thereof with respect to FIG. 13;
FIG. 18 is a bottom view thereof with respect to FIG. 13;
FIG. 19 is a perspective view thereof with respect to FIG. 13;
FIG. 20 is an enlarged fragmentary view of the bench back.





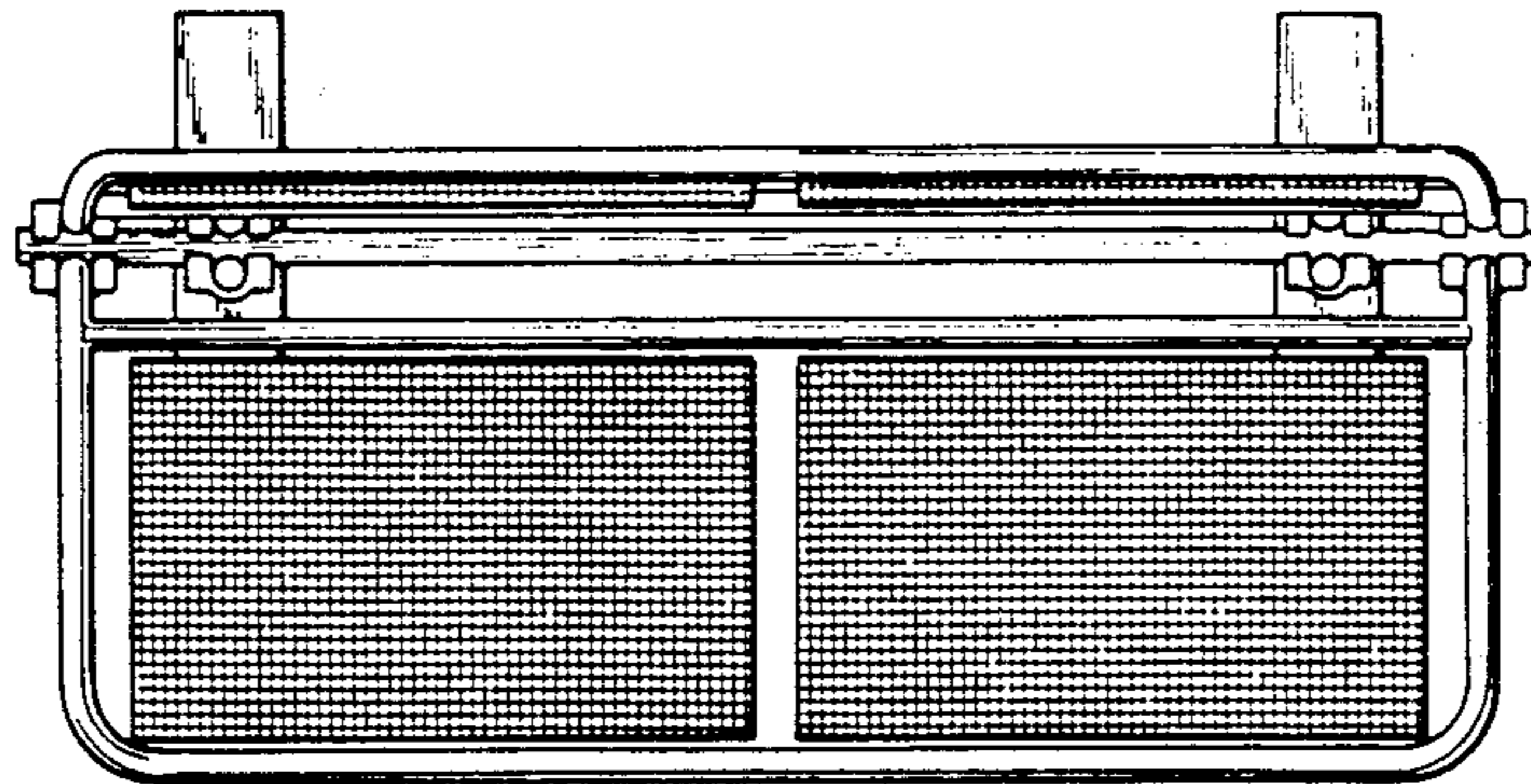
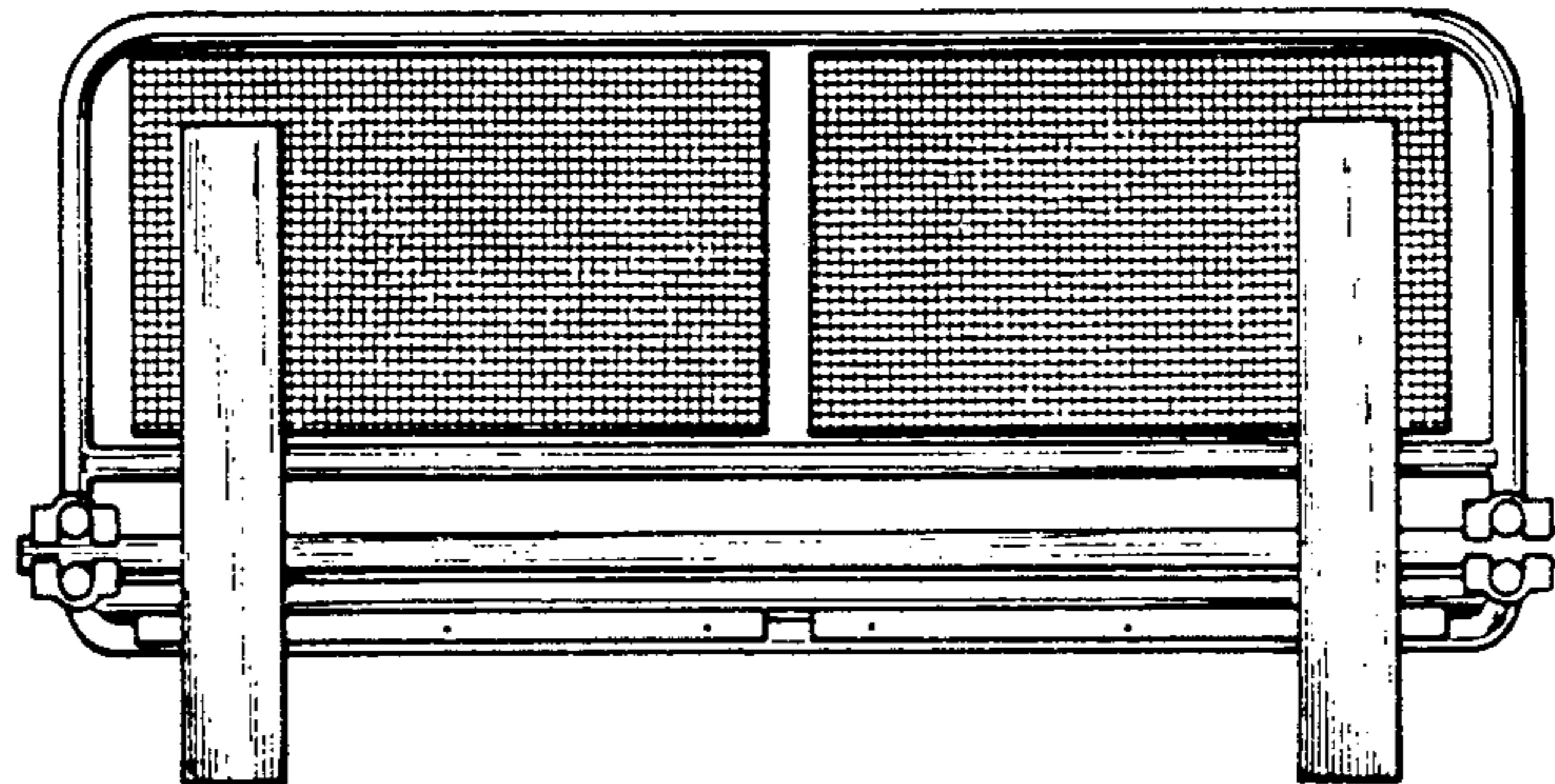


FIG. 5

FIG. 6



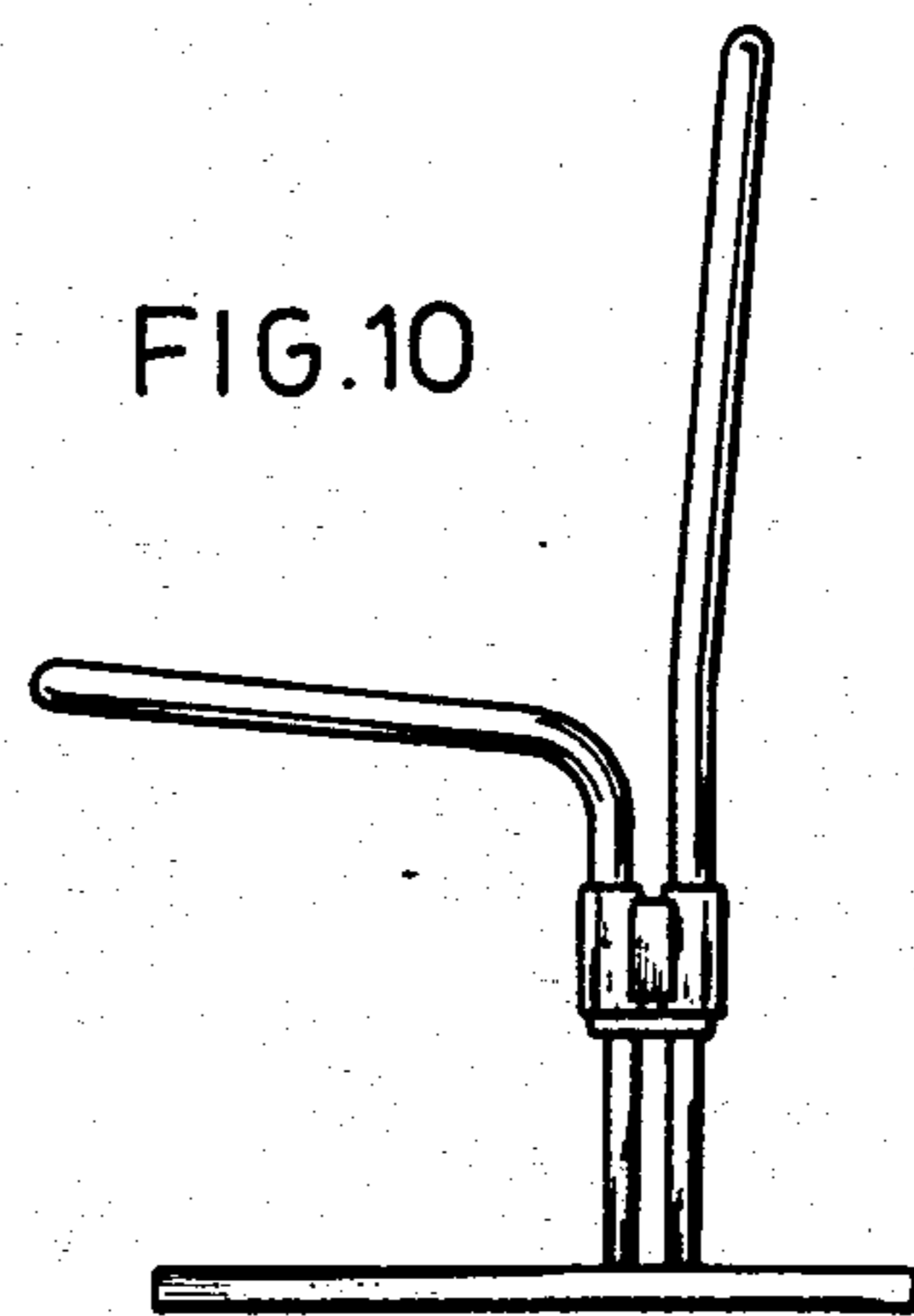
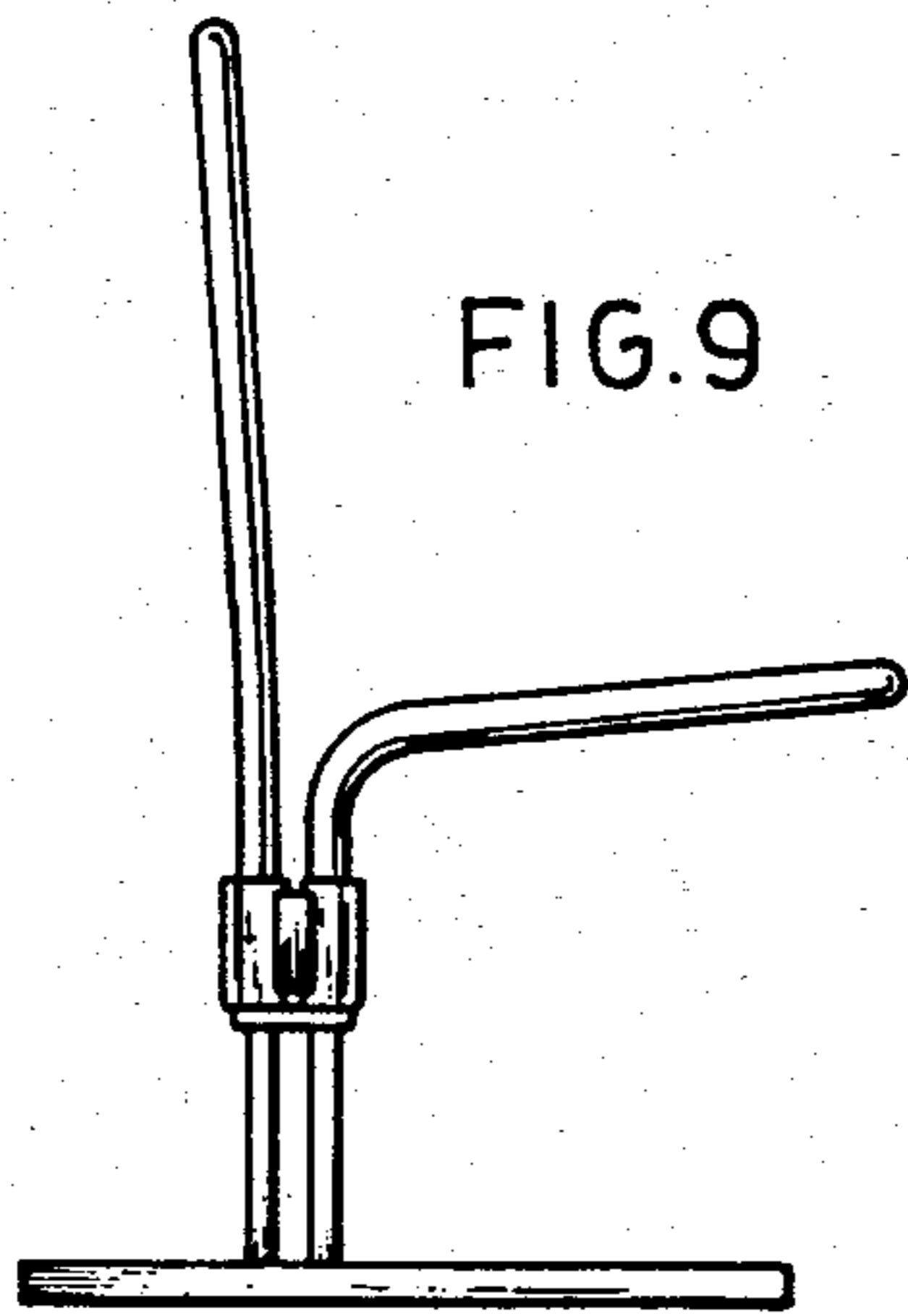
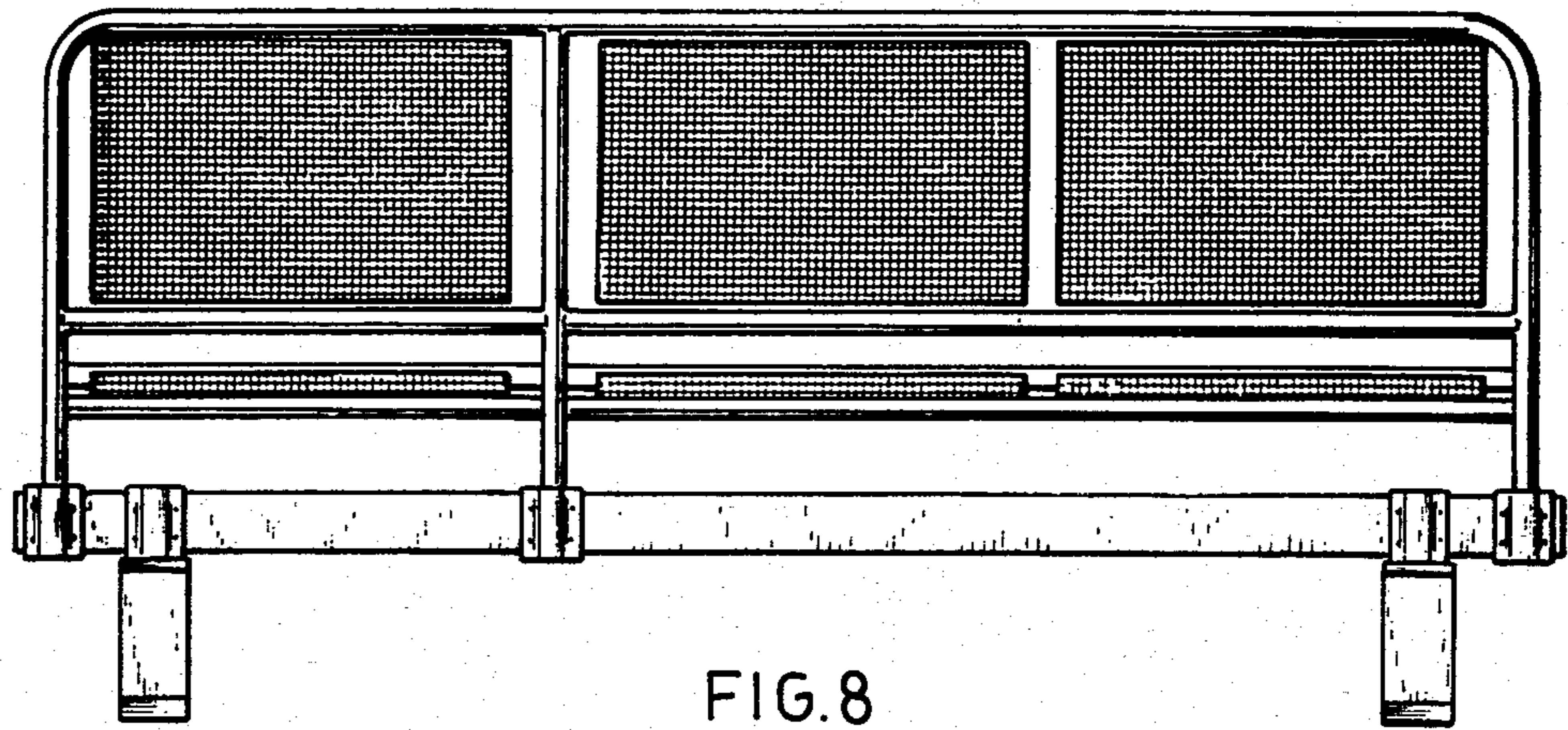
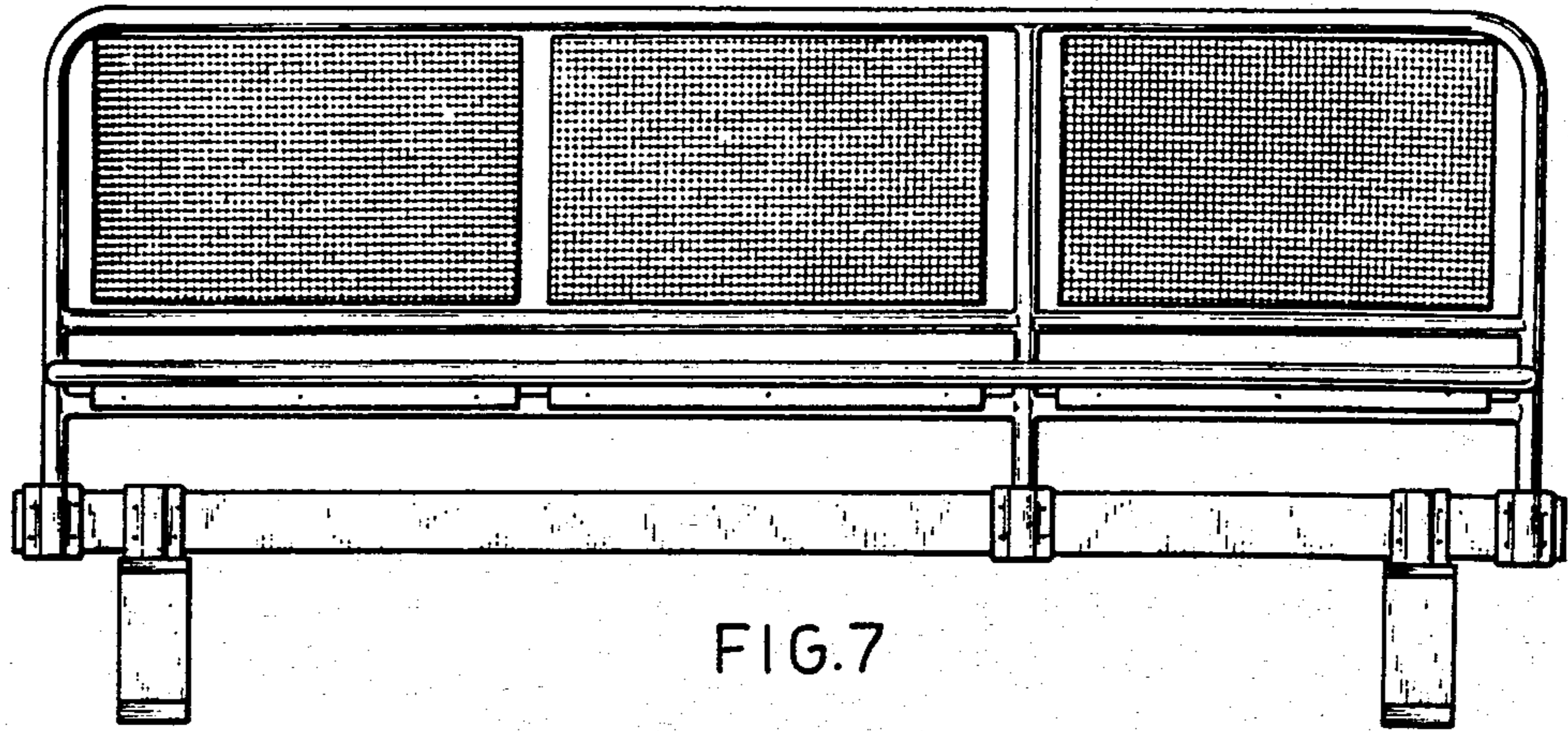


FIG. 11

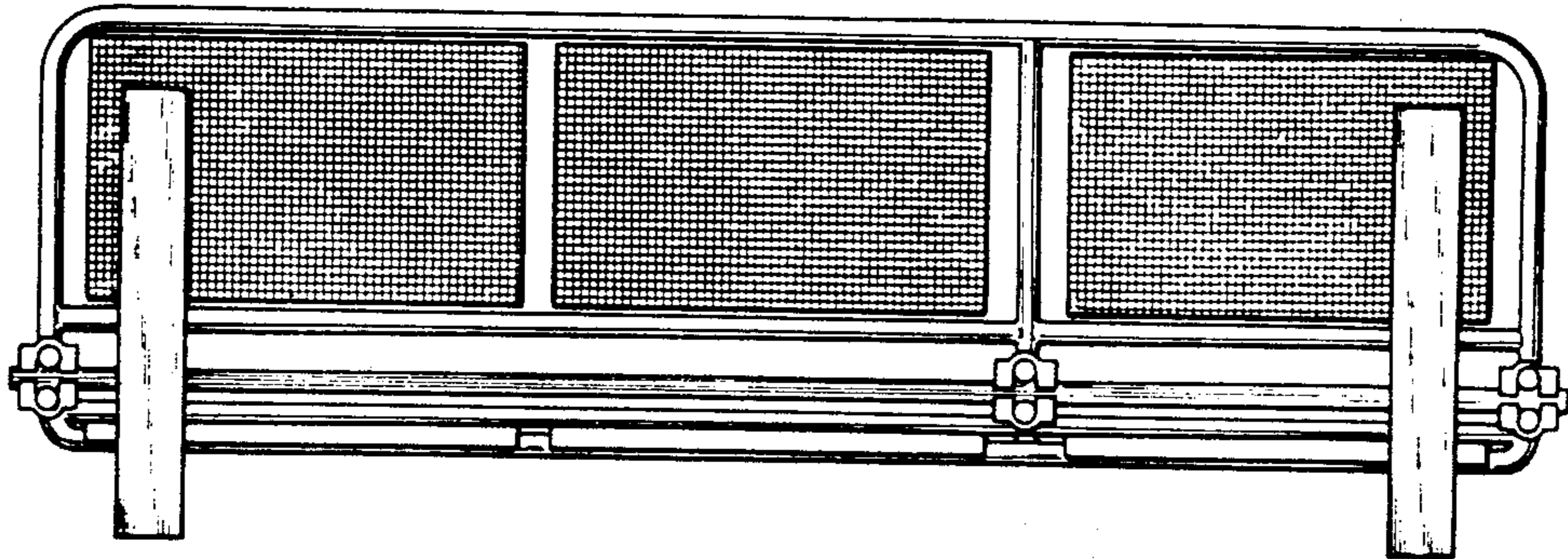
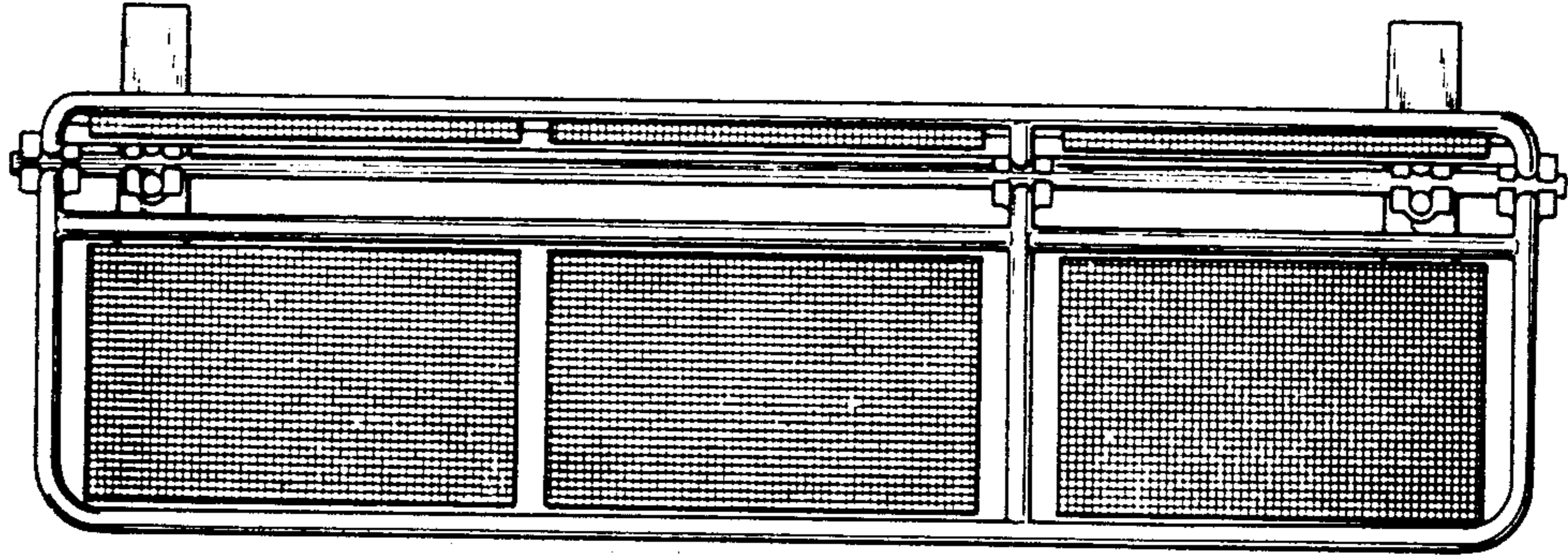


FIG. 12

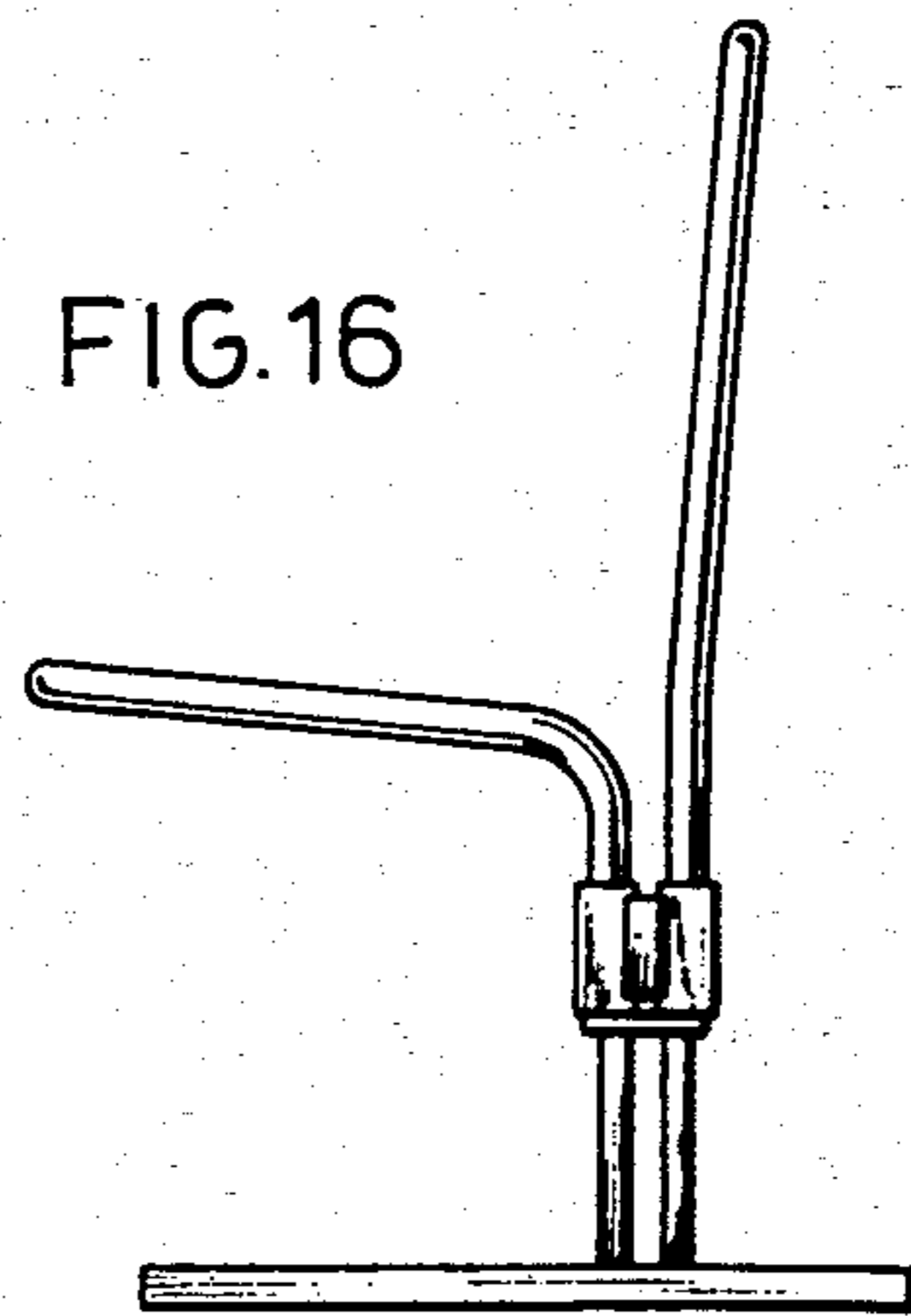
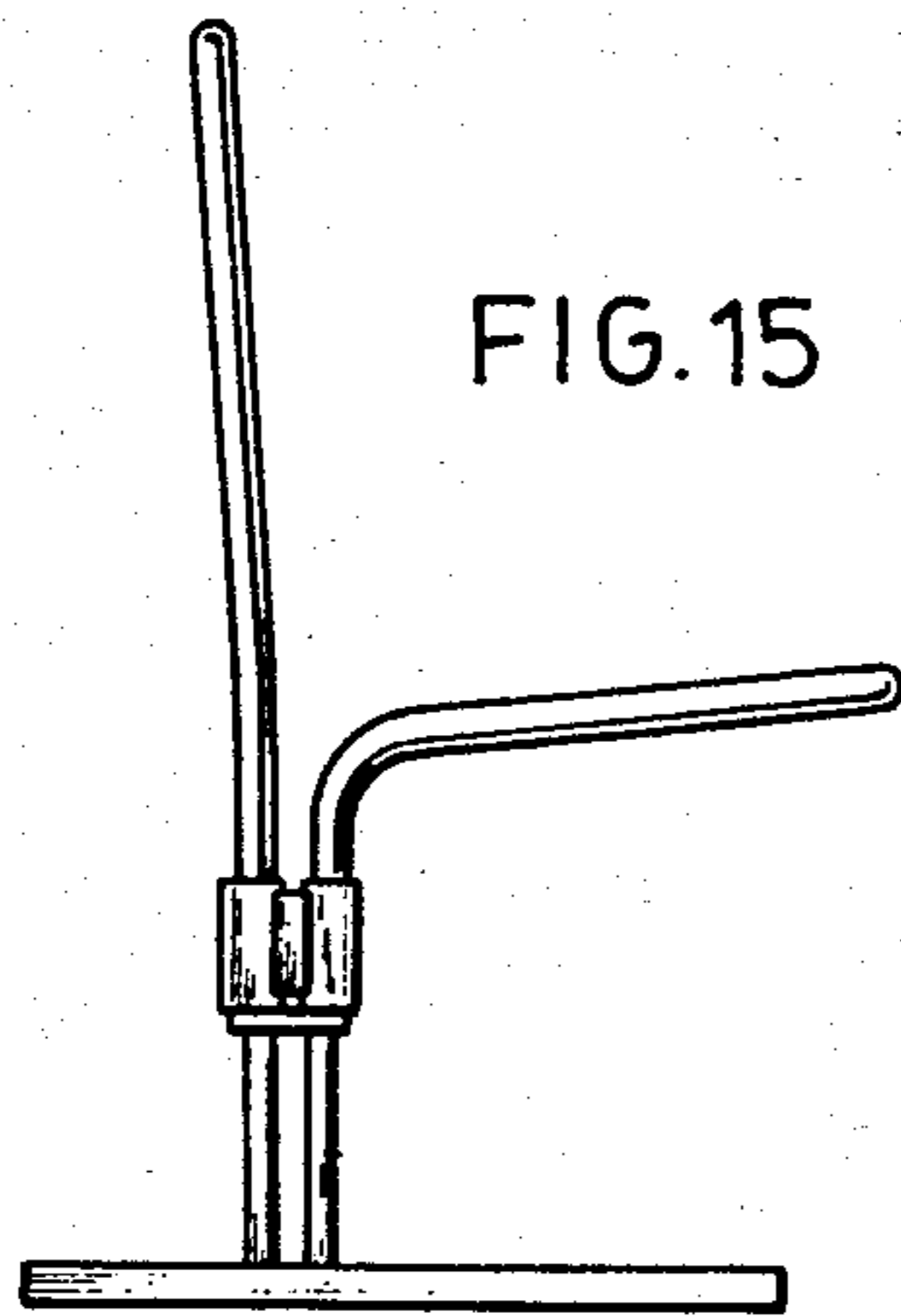
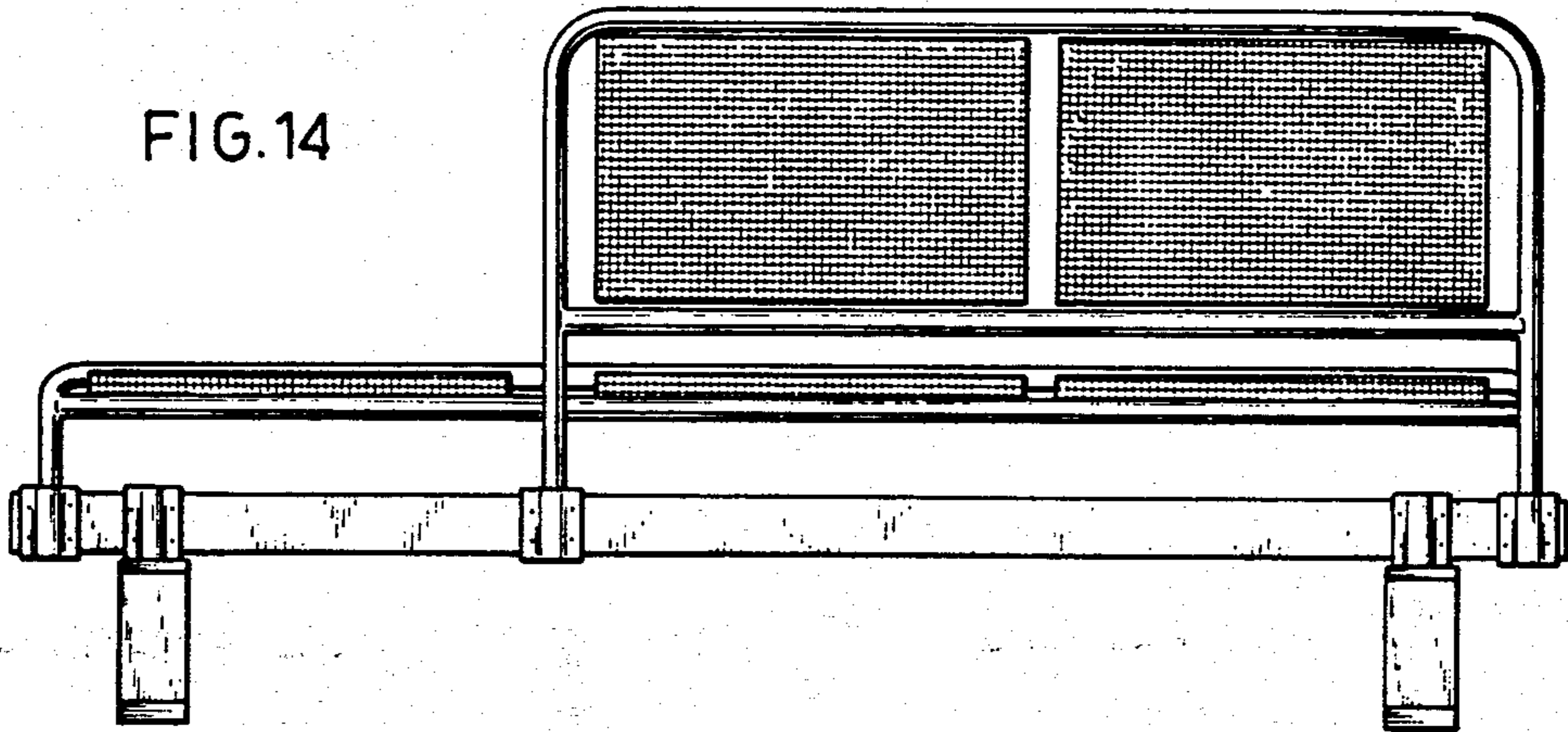
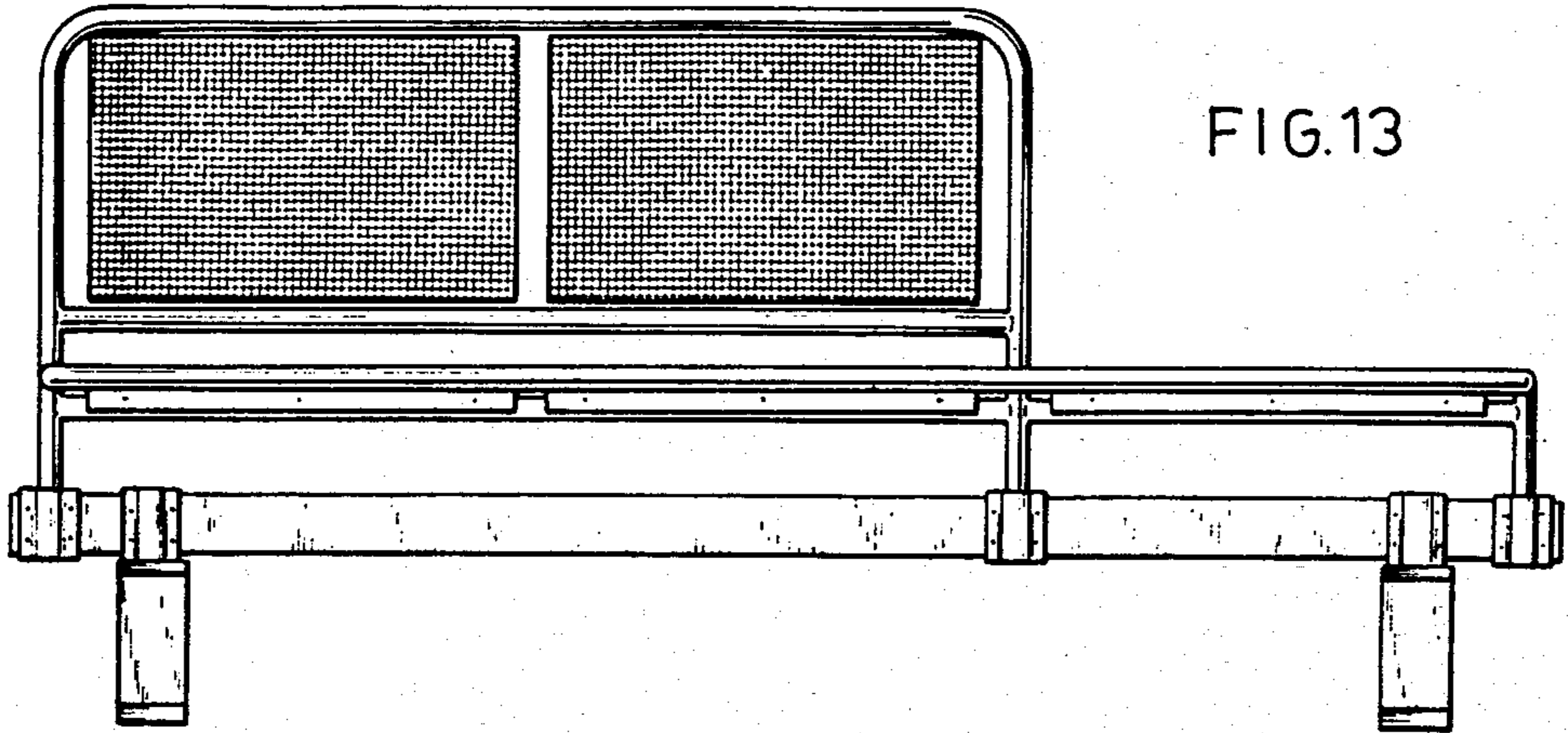


FIG.17

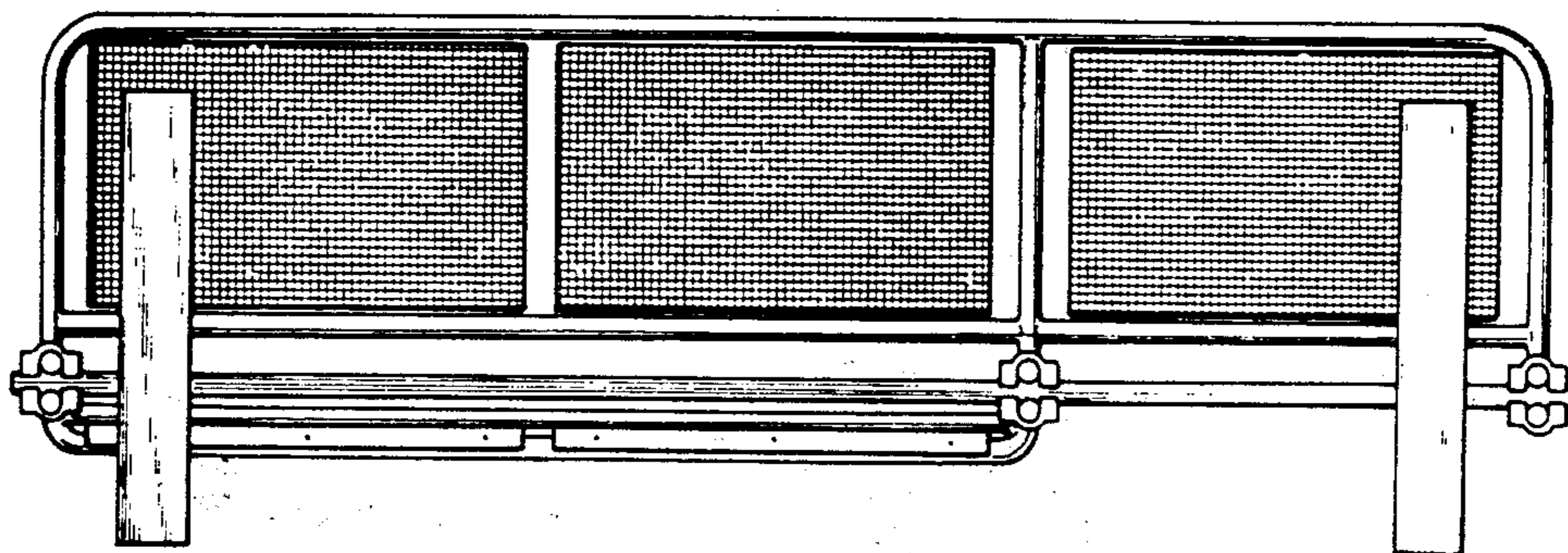
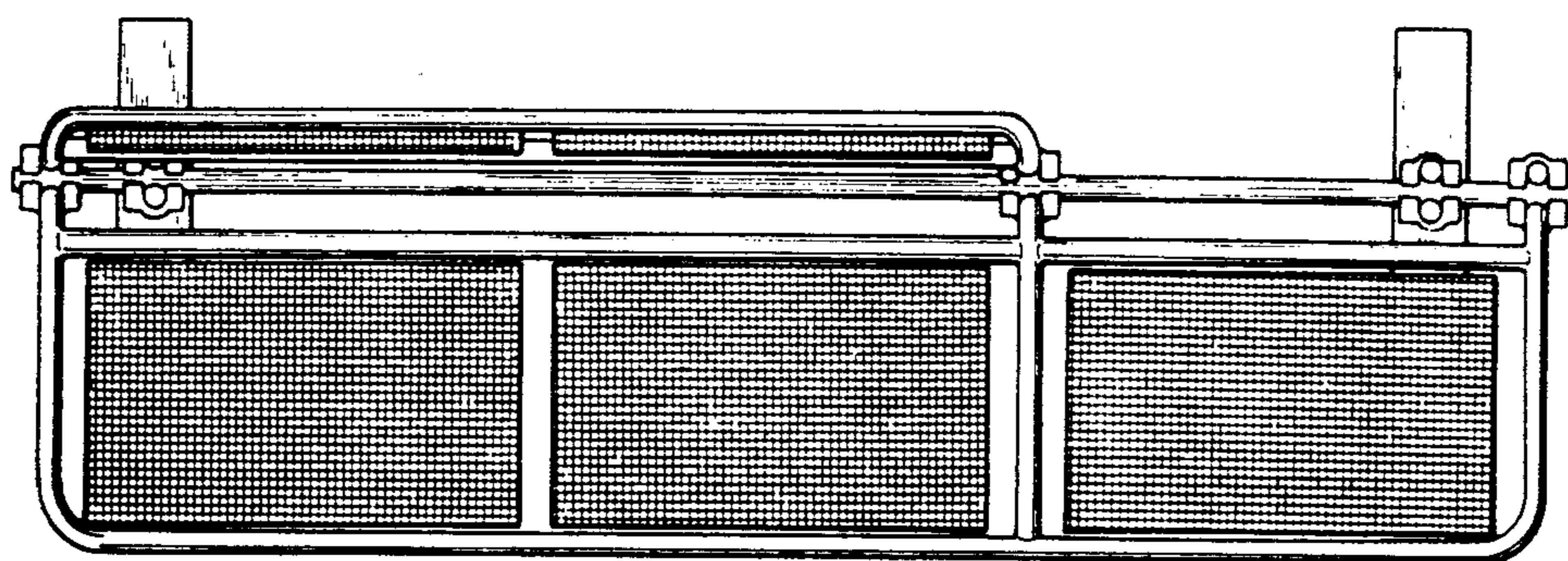


FIG.18

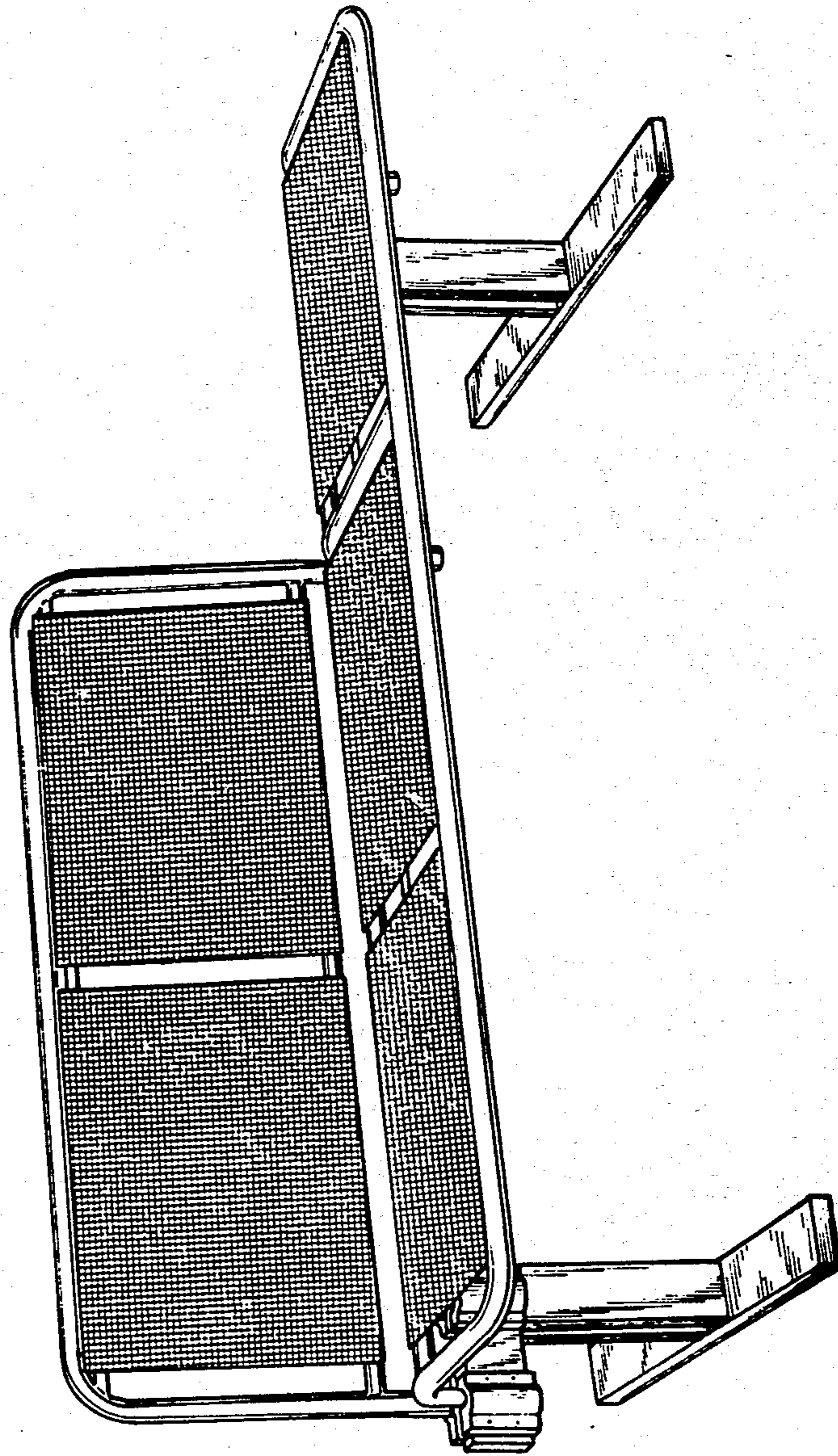


FIG.19

FIG. 20

