

[54] COIN BANK

[76] Inventor: Walter Miles, 279 S. Ellyn Ave., Glen Ellyn, Ill. 60137

[**] Term: 14 Years

[21] Appl. No.: 580,842

[22] Filed: Feb. 16, 1984

[52] U.S. Cl. D99/35

[58] Field of Search D99/35, 34, 37; D23/1, D23/40, 43, 44; 206/0.8, 0.81, 0.82, 0.83, 0.84

[56] References Cited

U.S. PATENT DOCUMENTS

D. 122,386	9/1940	Cafiero	D23/40
D. 220,060	3/1971	Luisa	D99/34
D. 244,060	4/1977	Friend	D99/34
D. 251,995	5/1979	Bell	D99/28
3,095,139	6/1963	Randall et al.	D99/35 X

OTHER PUBLICATIONS

Sears Roebuck, Fall and Winter 1970, Catalog, p. 1120, item #33 Steel Nipples, item #34 Nipple, item #37 Floor Flange, item #39 Pipe Cap, item #44 Reducing Coupling.

Primary Examiner—Bernard Ansher
Assistant Examiner—Timothy M. Smith
Attorney, Agent, or Firm—Haight, Hofeldt, Davis & Jambor

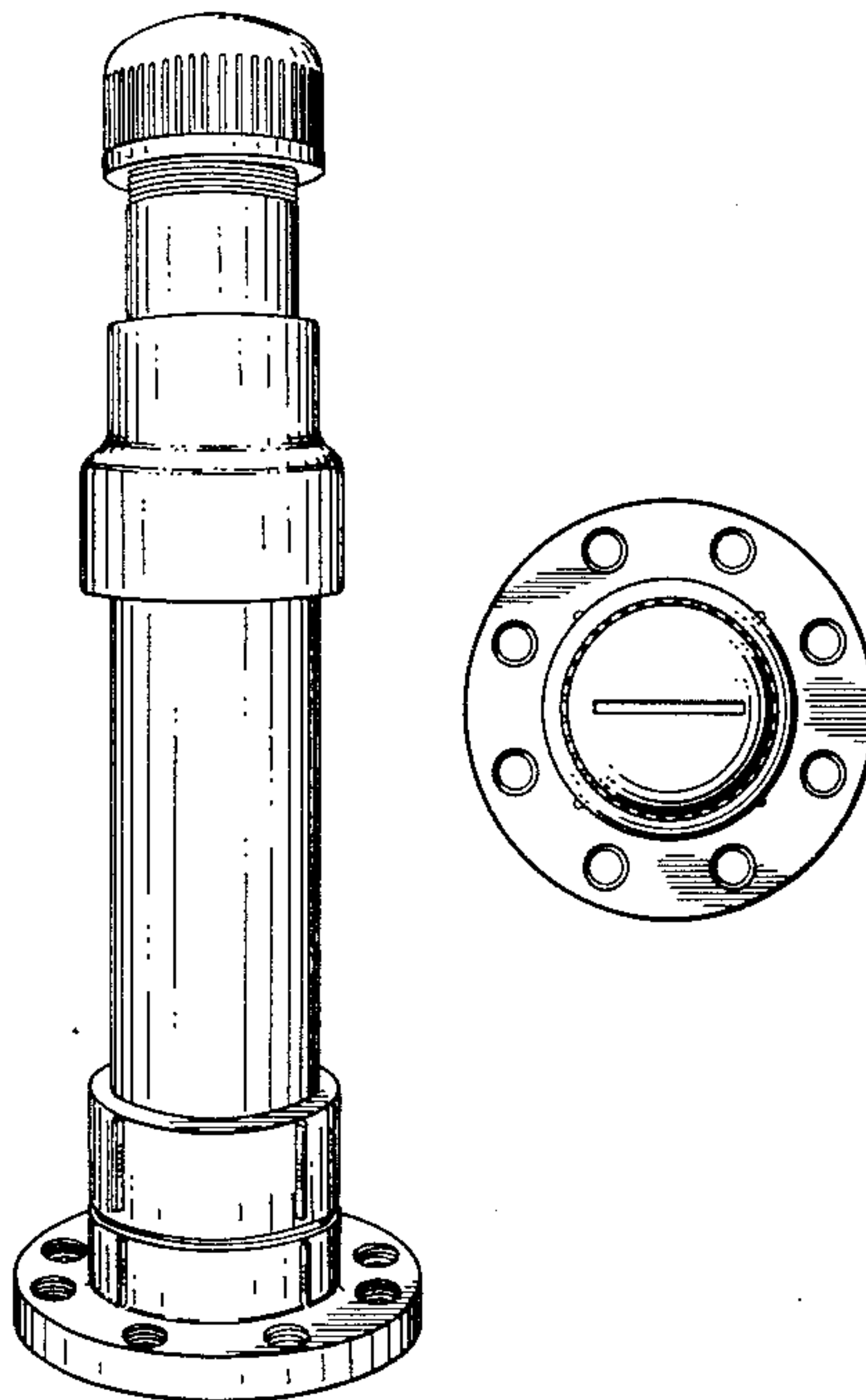
[57] CLAIM

The ornamental design for a coin bank, substantially as shown and described.

DESCRIPTION

FIG. 1 is a perspective view of a coin bank showing my new design.

FIG. 2 is a top plan view of the coin bank of FIG. 1.



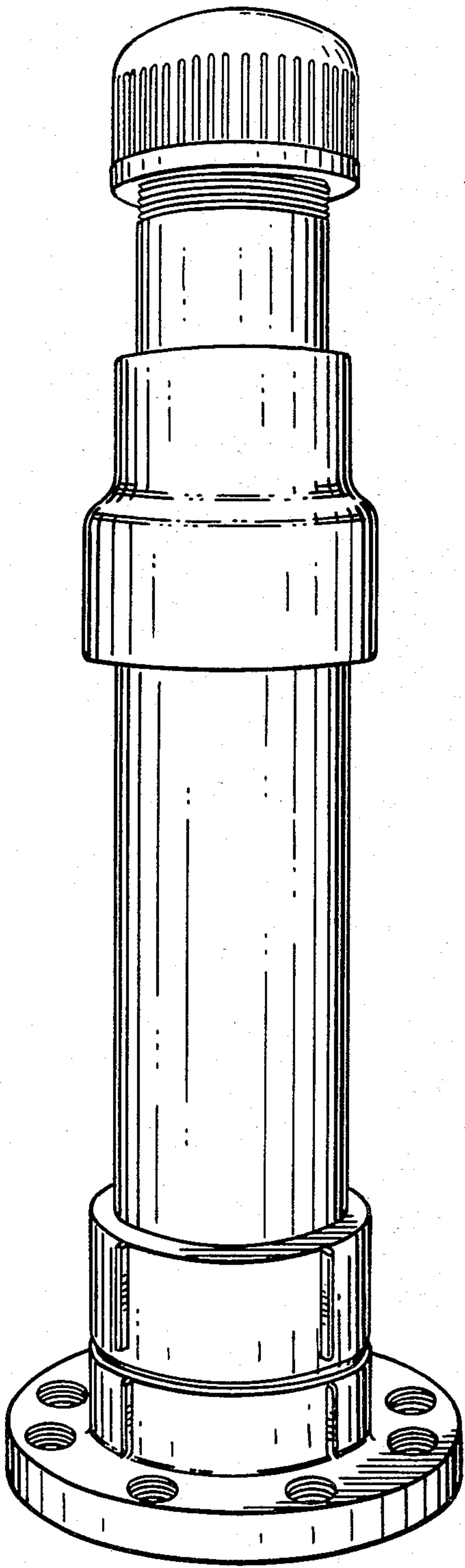


fig. 1.

fig. 2.

