

United States Patent [19]

Yamagishi

[11] Patent Number: **Des. 285,138**

[45] Date of Patent: **** Aug. 12, 1986**

[54] **JACK**

[75] Inventor: **Takeshi Yamagishi, Shizuoka, Japan**

[73] Assignee: **Yasui Sangyo Co. Ltd., Fujinomiya, Japan**

[**] Term: **14 Years**

[21] Appl. No.: **460,470**

[22] Filed: **Jan. 24, 1983**

[30] **Foreign Application Priority Data**

Aug. 20, 1982 [JP] Japan 57-37739
[52] U.S. Cl. **D34/31**
[58] Field of Search D34/28-32;
254/8 B

[56] **References Cited**

U.S. PATENT DOCUMENTS

D. 263,036 2/1982 Hung D34/31
4,131,263 12/1978 John 254/8 B

Primary Examiner—James M. Gandy
Attorney, Agent, or Firm—Zarley, McKee, Thomte,
Voorhees & Seas

[57] **CLAIM**

The ornamental design for a jack, as shown and described.

DESCRIPTION

FIG. 1 is a right, front perspective view of a jack showing my new design;
FIG. 2 is a left rear perspective view thereof;
FIG. 3 is a right front perspective view thereof in raised condition; and
FIG. 4 is a left rear perspective view of FIG. 3.

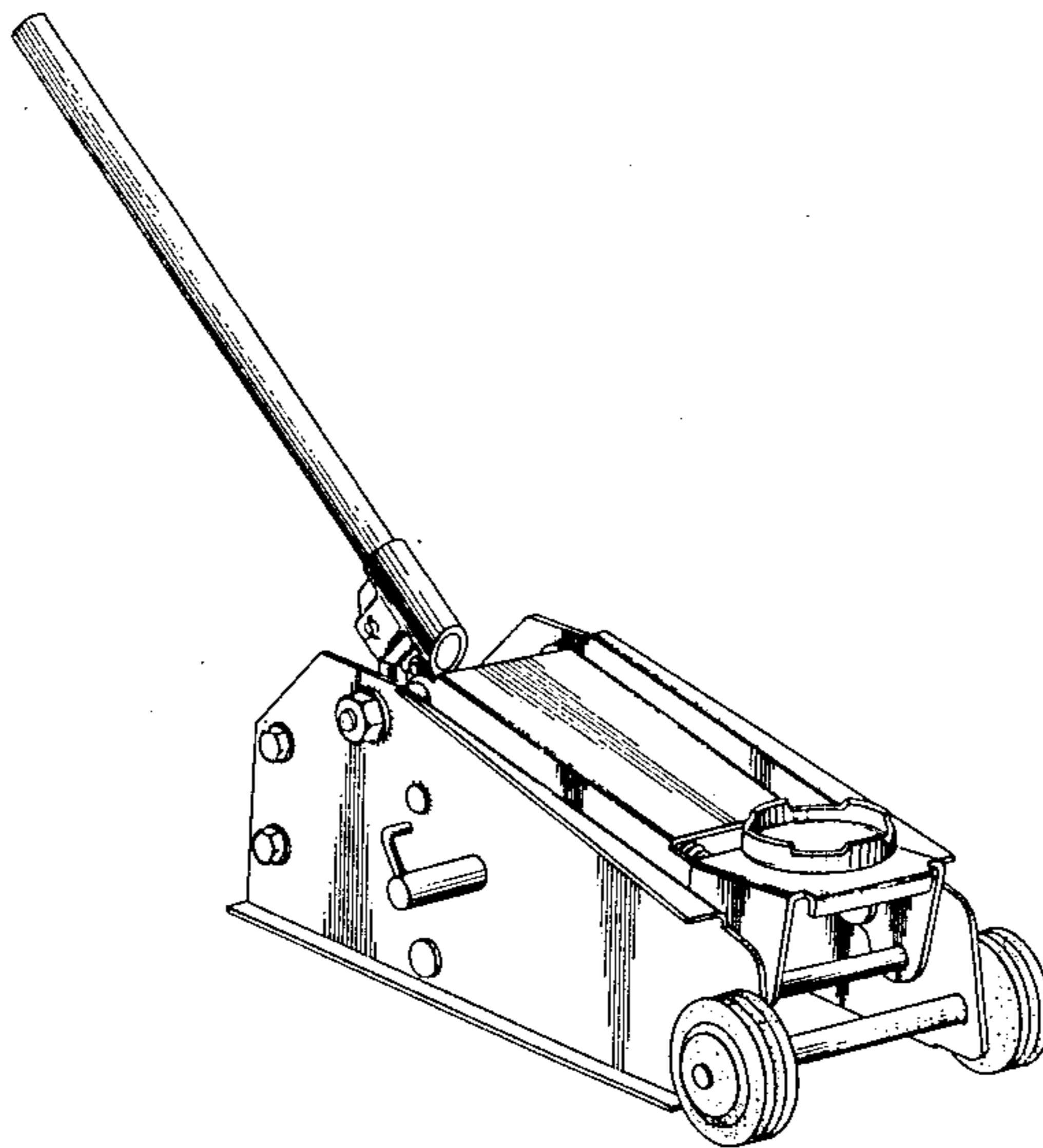
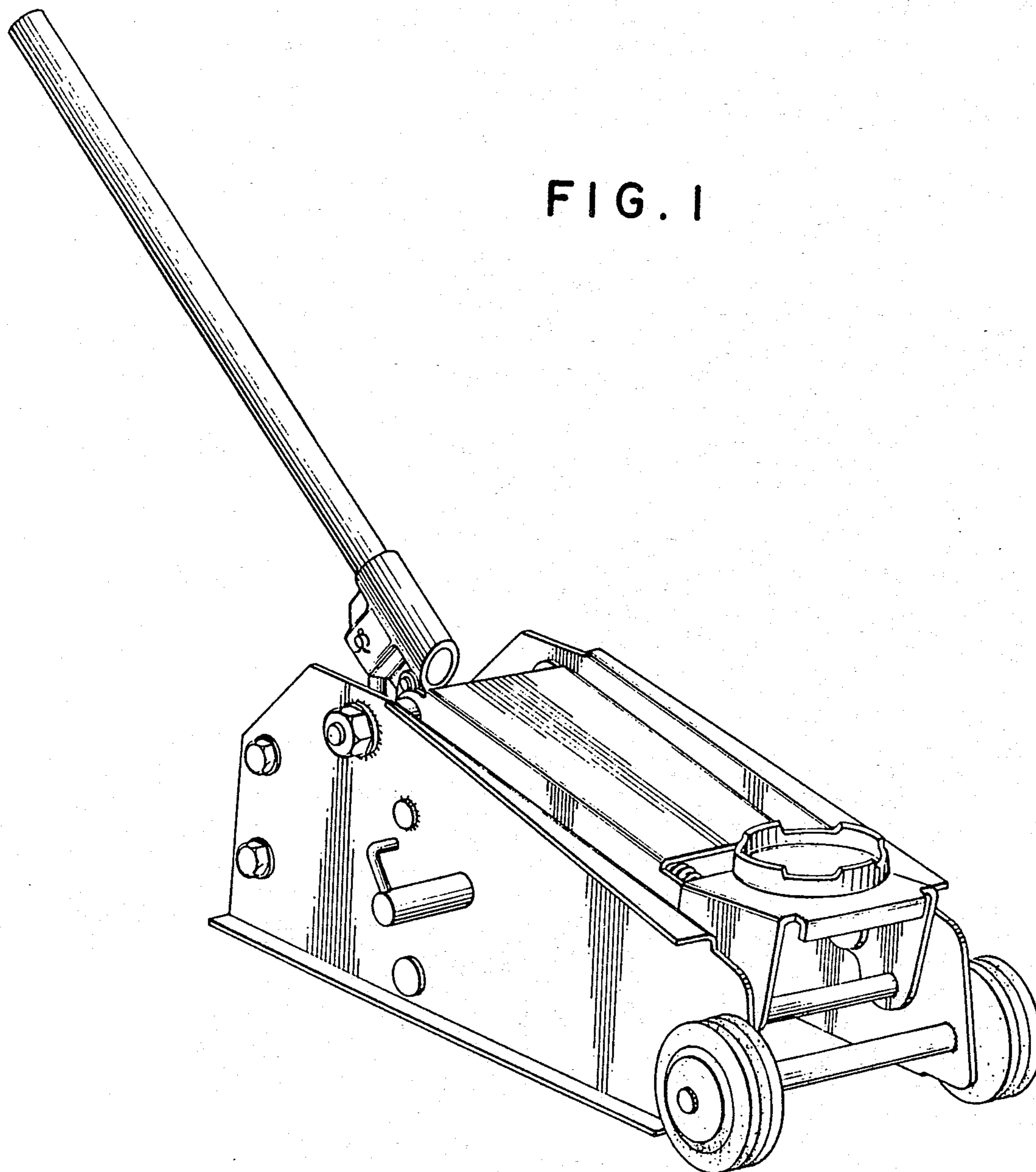


FIG. 1



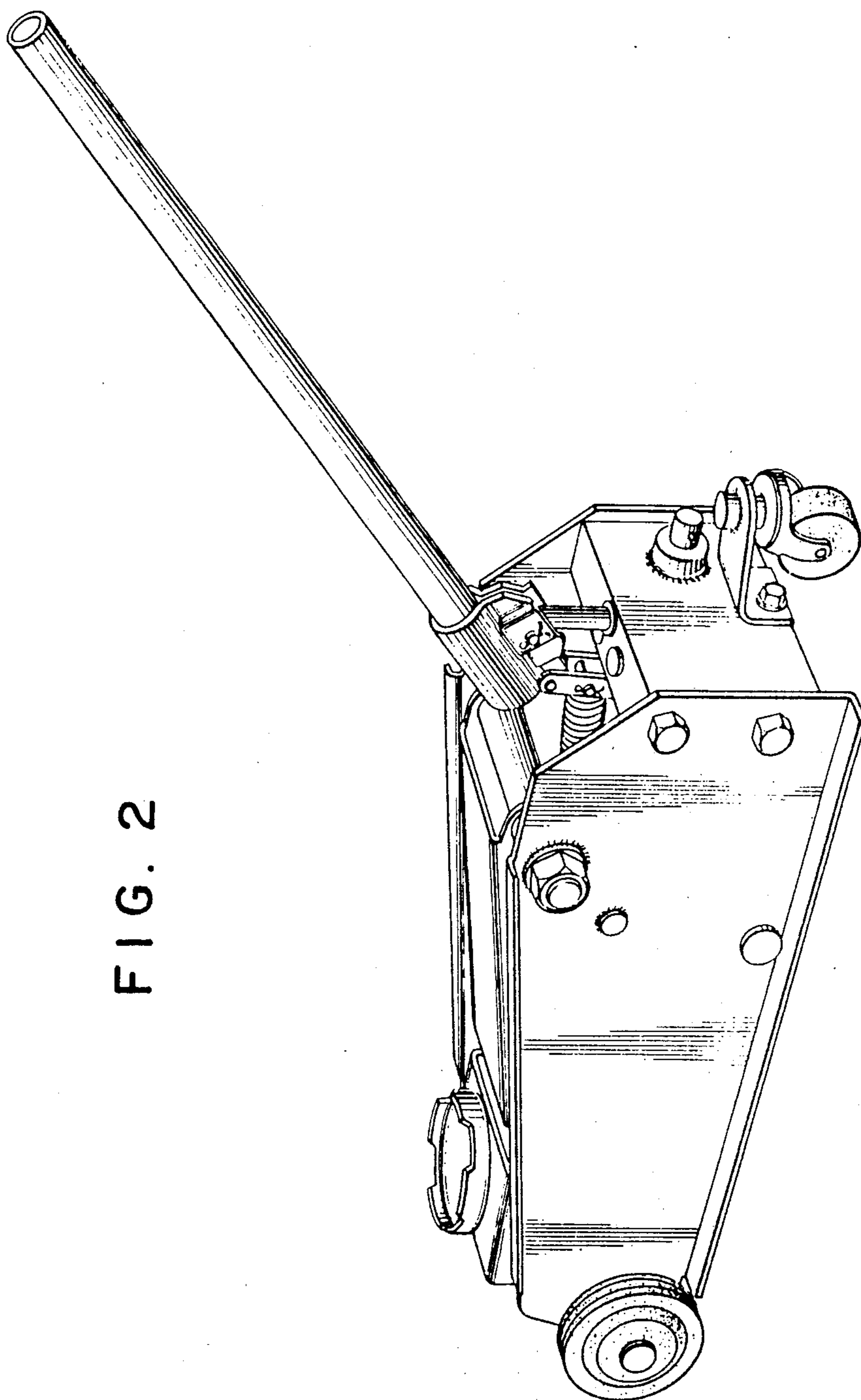


FIG. 2

FIG. 3

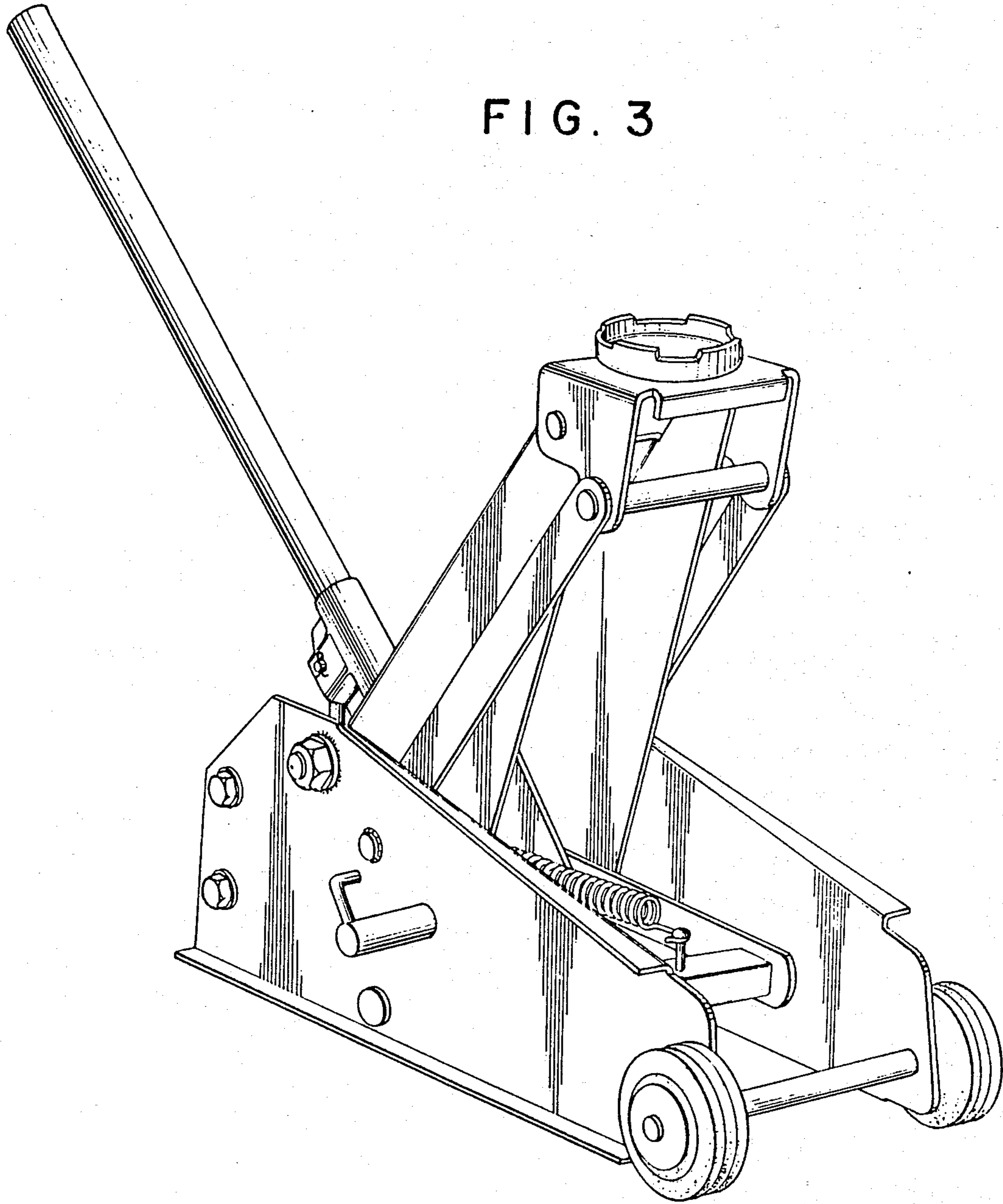


FIG. 4

