

[54] COMBINED LIFTING TOOL AND MOUNTED YOKE FOR HANDICAPPED PERSON

[76] Inventor: Ingemar D. A. Svensson, Långavallsgatan 13, 424 57 Angered, Sweden

[**] Term: 14 Years

[21] Appl. No.: 500,145

[22] Filed: Jun. 1, 1983

[30] Foreign Application Priority Data

Dec. 2, 1982 [SE] Sweden 82-2882
[52] U.S. Cl. D34/28; 5/81 R; D34/33; D24/99
[58] Field of Search D34/33, 28, 34; 5/81 R, 5/81 B, 81 C

[56] References Cited

U.S. PATENT DOCUMENTS

D. 197,789 3/1964 Fischer D34/34
D. 202,082 8/1965 Reimold et al. D34/33
3,222,029 12/1965 Hildemann 5/81 R
3,394,933 7/1968 Benoit 5/81 R

3,694,820 10/1972 Bakker 5/81 R
3,999,228 12/1976 Thomas 5/81 R

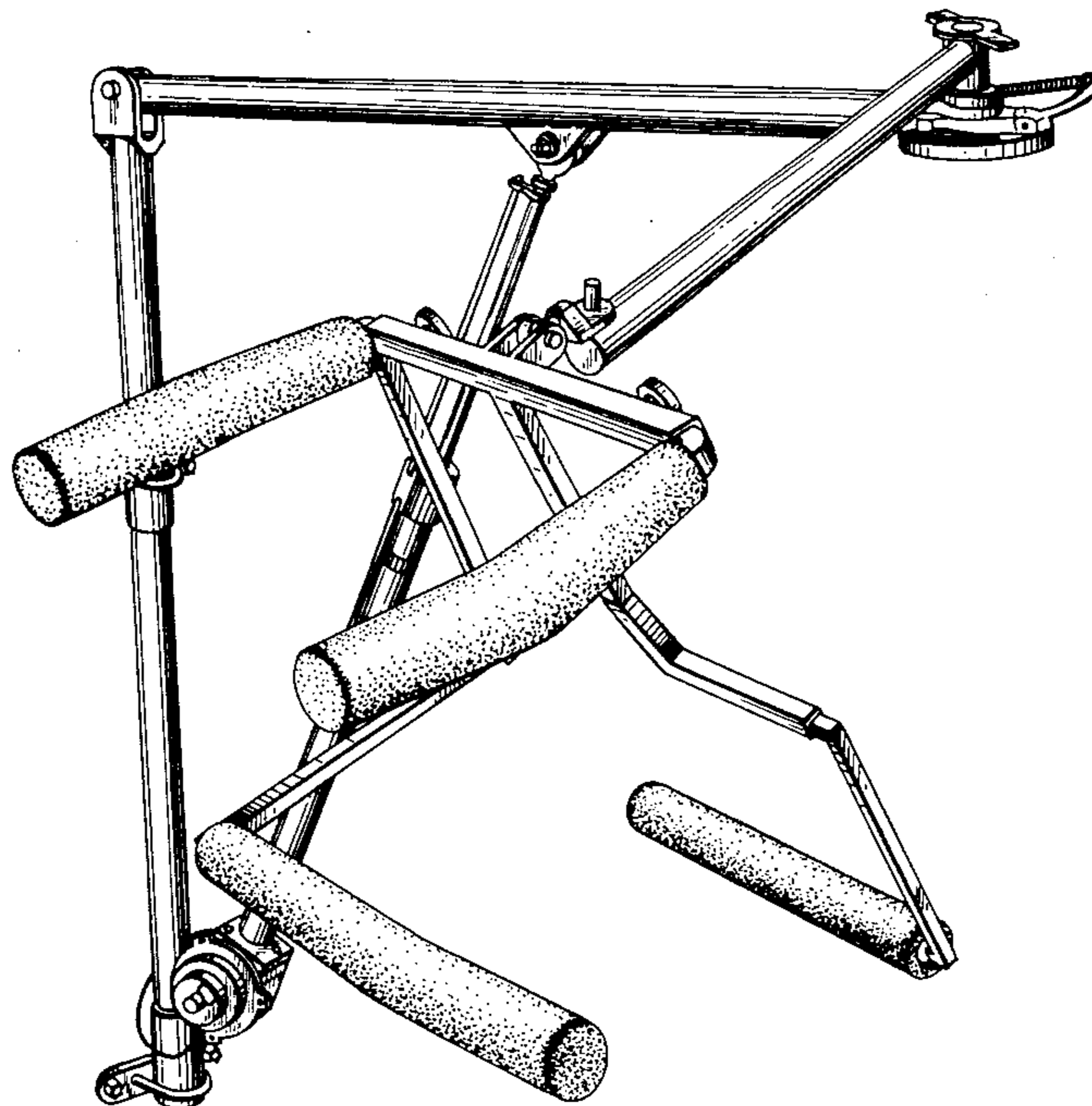
Primary Examiner—A. Hugo Word
Assistant Examiner—Brian N. Vinson

[57] CLAIM

The ornamental design for a combined lifting tool and mounted yoke for handicapped person, as shown and described.

DESCRIPTION

FIG. 1 is a rear perspective view of a combined lifting tool and mounted yoke for handicapped persons, showing my new design;
FIG. 2 is a perspective view of the tool portion thereof;
FIG. 3 is a rear perspective view of the yoke portion thereof;
FIG. 4 is a front perspective view of the yoke portion thereof, and
FIG. 5 is a rear perspective view showing a handicapped person within the yoke portion thereof. The broken line showing of the handicapped person is for illustrative purposes only and forms no part of the claimed design.
Portions of the yoke and lifting tool have been omitted in FIGS. 2-5 for clarity of illustration only.



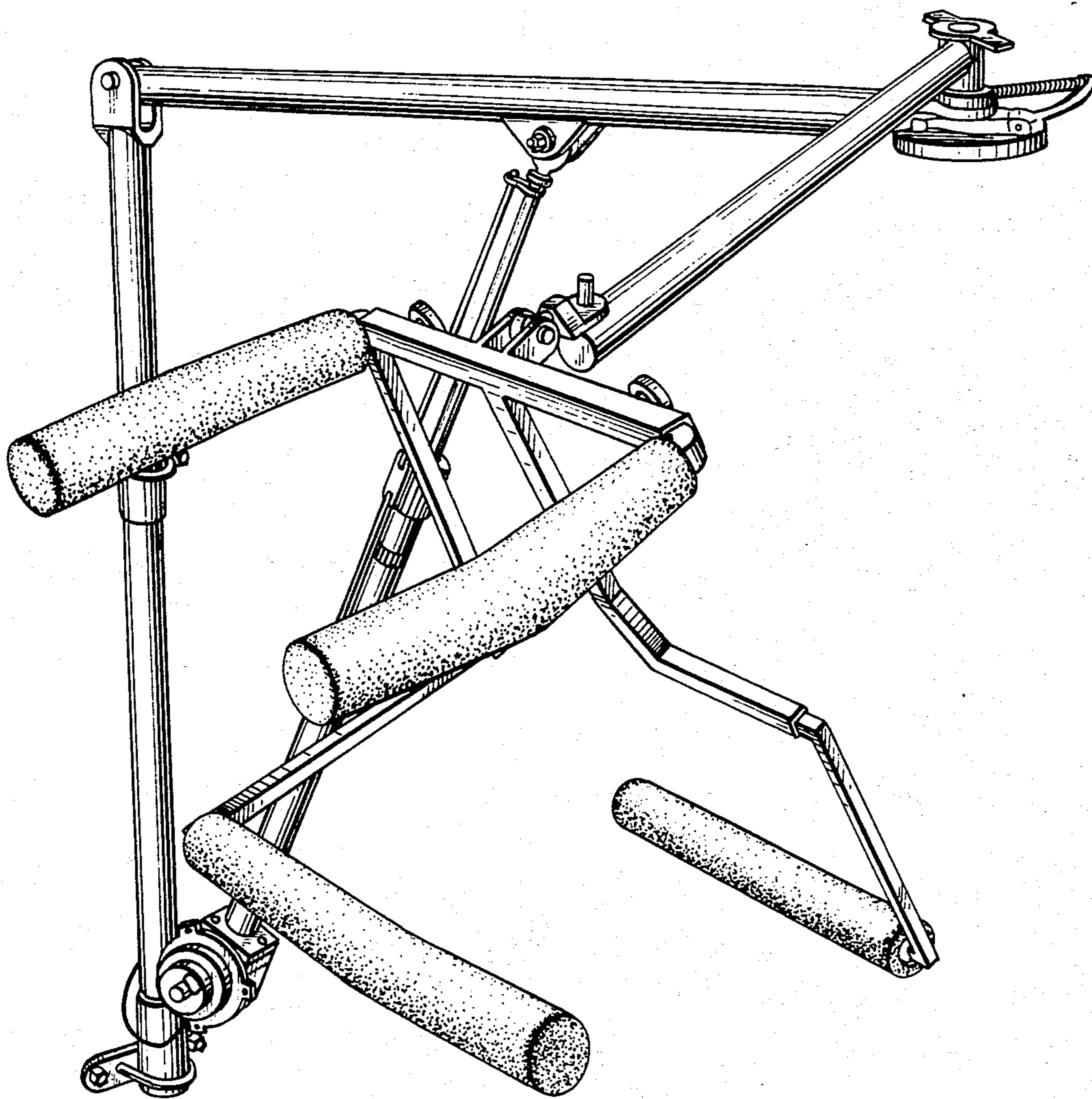


FIG. 1

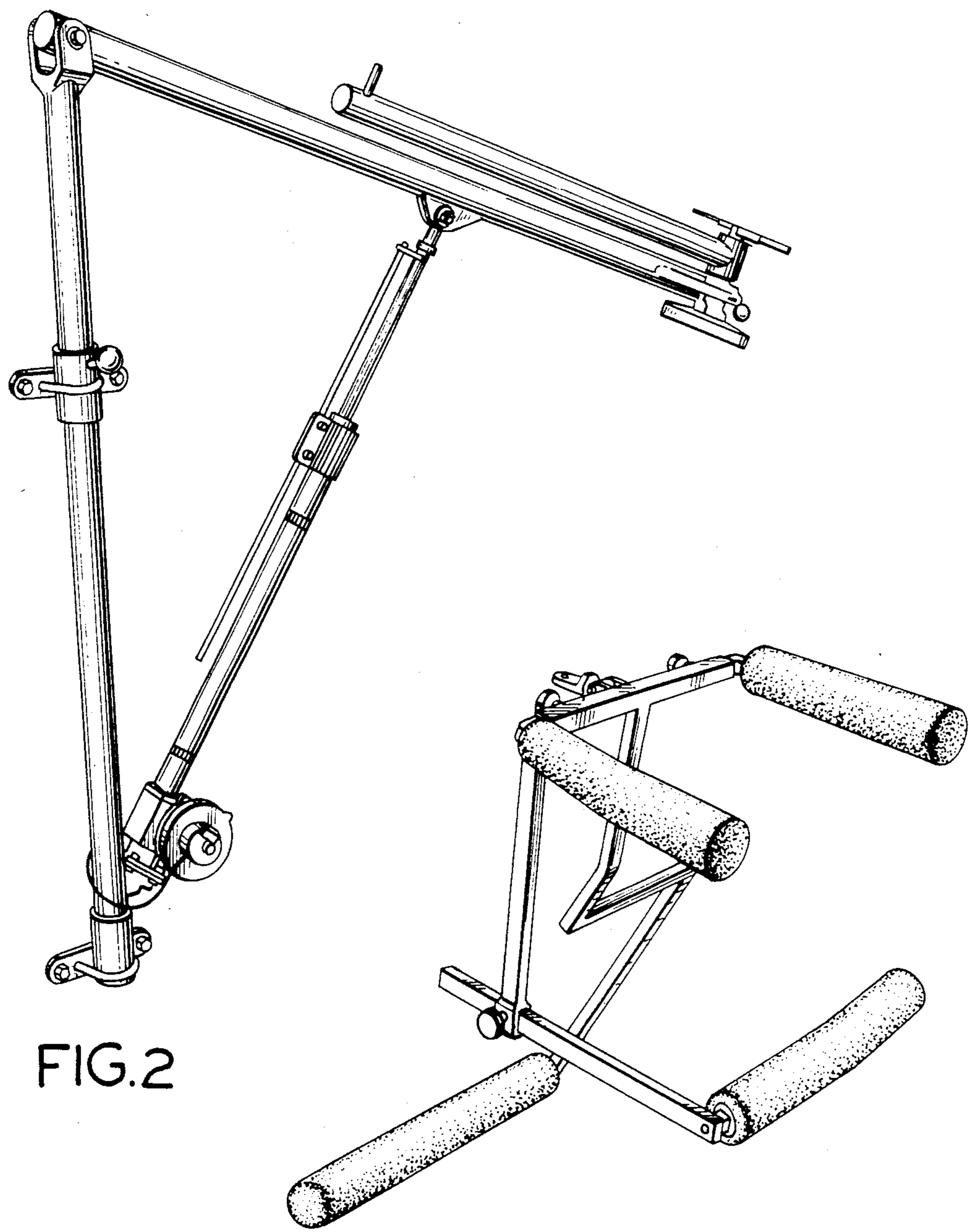


FIG. 2

FIG. 3

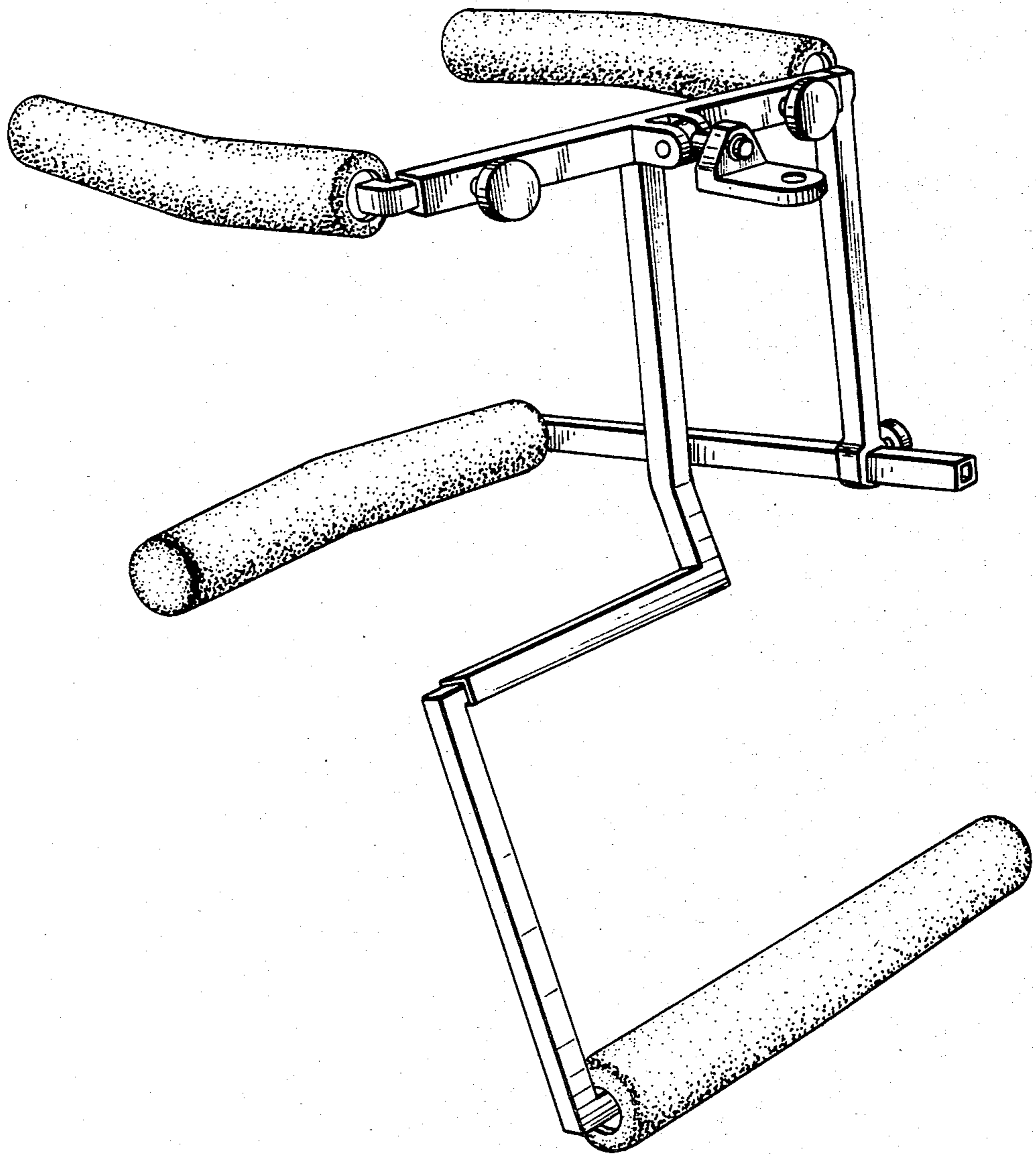


FIG. 4

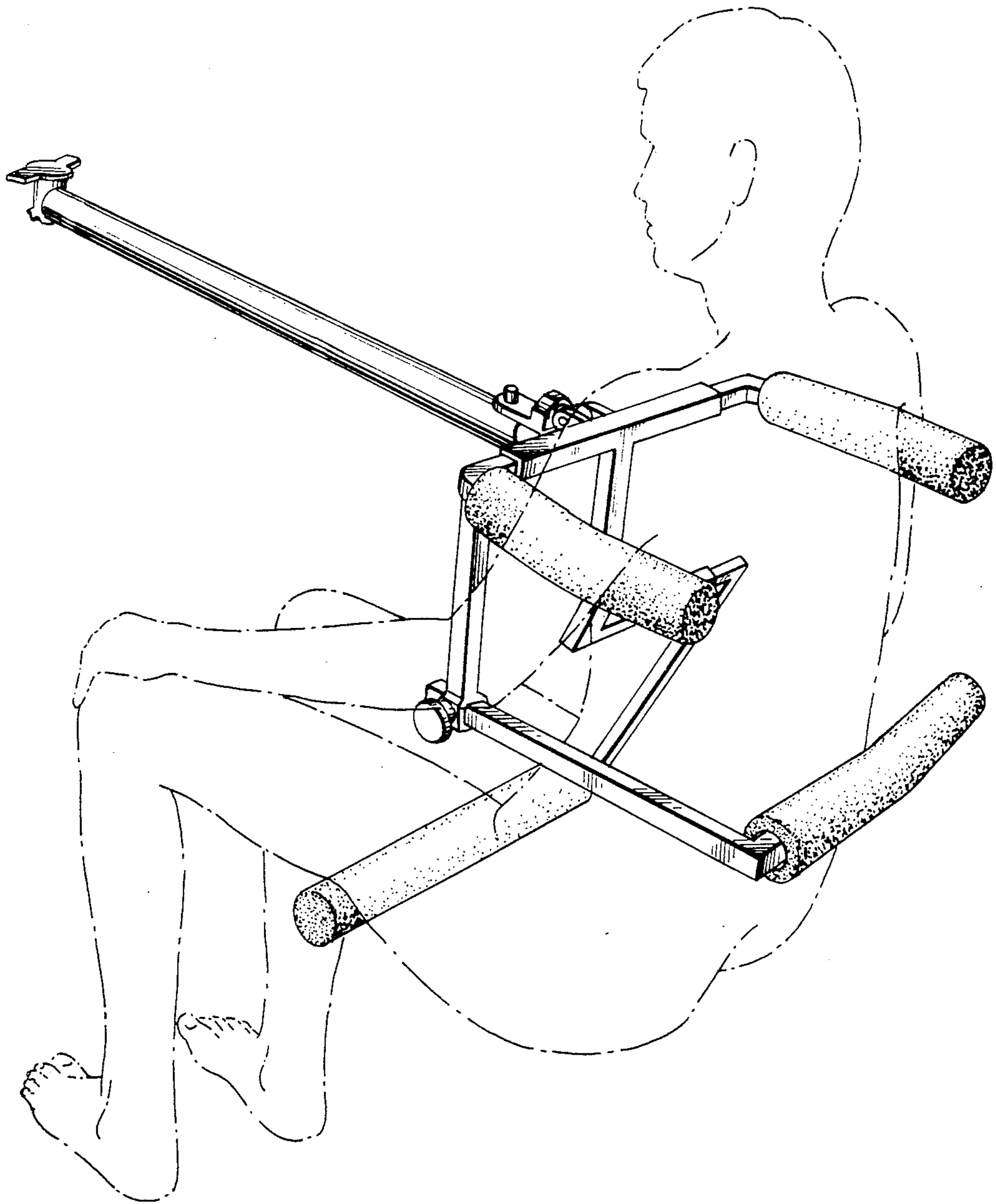


FIG. 5