

[54] LUGGAGE CARRIER

[75] Inventor: Michael Gordon, New York, N.Y.

[73] Assignee: Koret Inc., New York, N.Y.

[**] Term: 14 Years

[21] Appl. No.: 558,013

[22] Filed: Dec. 5, 1983

[52] U.S. Cl. D34/26

[58] Field of Search D34/11-27;
280/47.24, 47.26, 652, 47.27, 47.23, 47.12,
47.28, 47.17

[56] References Cited

U.S. PATENT DOCUMENTS

- D. 200,634 3/1965 Raye D34/26
- D. 278,562 4/1985 Cwik D34/26
- 3,998,476 12/1976 Kazmark, Sr. 280/47.24

Primary Examiner—James M. Gandy
Assistant Examiner—Kay H. Chin
Attorney, Agent, or Firm—Philip H. Gottfried

[57] CLAIM

The ornamental design for a luggage carrier, as shown and described.

DESCRIPTION

FIG. 1 is a left side elevational view of a luggage carrier showing my new design with part of the strap thereof being shown broken away for convenience of illustration;

FIG. 2 is a front elevational view thereof;

FIG. 3 is top plan view thereof with part of the strap thereof being shown broken away for convenience of illustration;

FIG. 4 is a rear elevational view thereof;

FIG. 5 is a bottom plan view thereof similar to FIG. 3;

FIG. 6 is a front perspective view thereof, on a reduced scale, showing the strap extended with a combination attachment member and strap clamp removably affixed to a cross-member of a handle thereof;

FIG. 7 is an enlarged front perspective view thereof, in folded condition;

FIG. 8 is an enlarged fragmentary top plan view of the luggage-bearing members thereof shown in FIG. 3, illustrating the pattern of raised circular members in greater detail; and,

FIG. 9 is an enlarged fragmentary left side elevational view of FIG. 8.

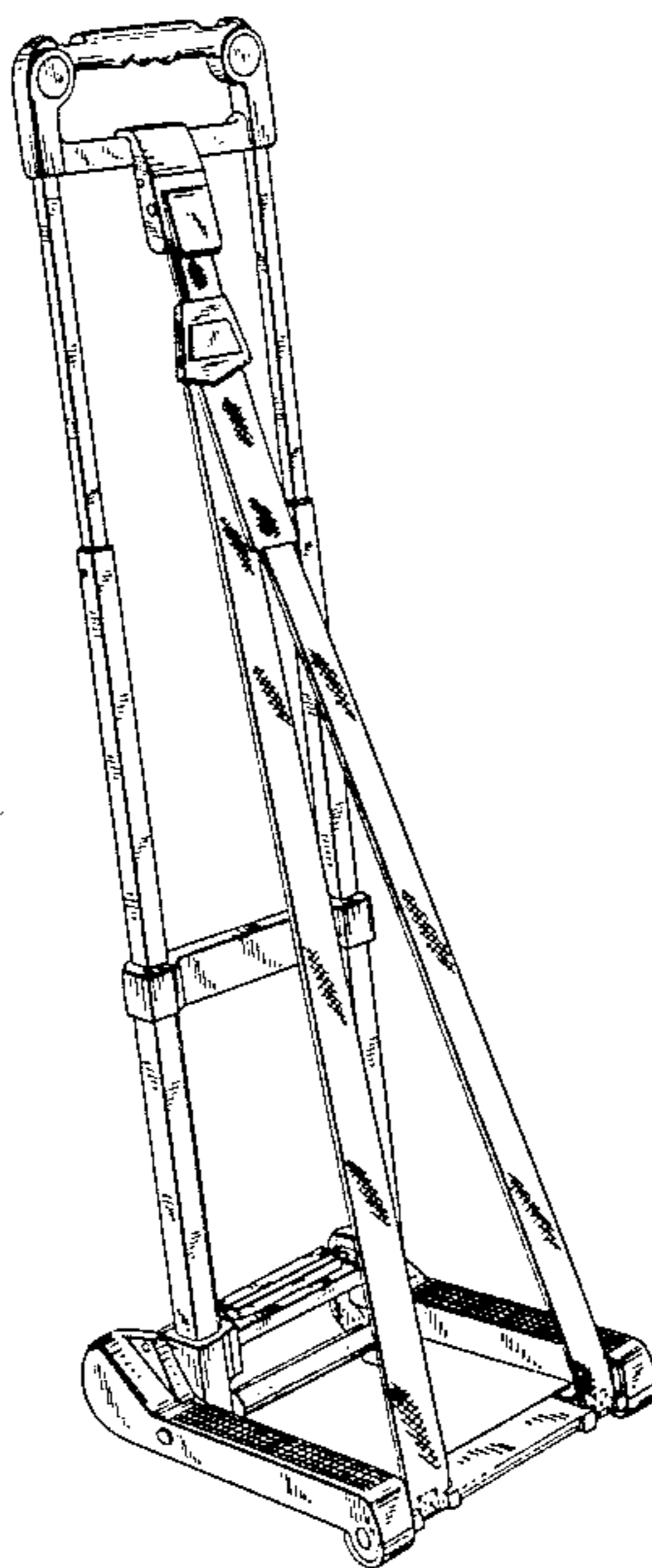


FIG. 1

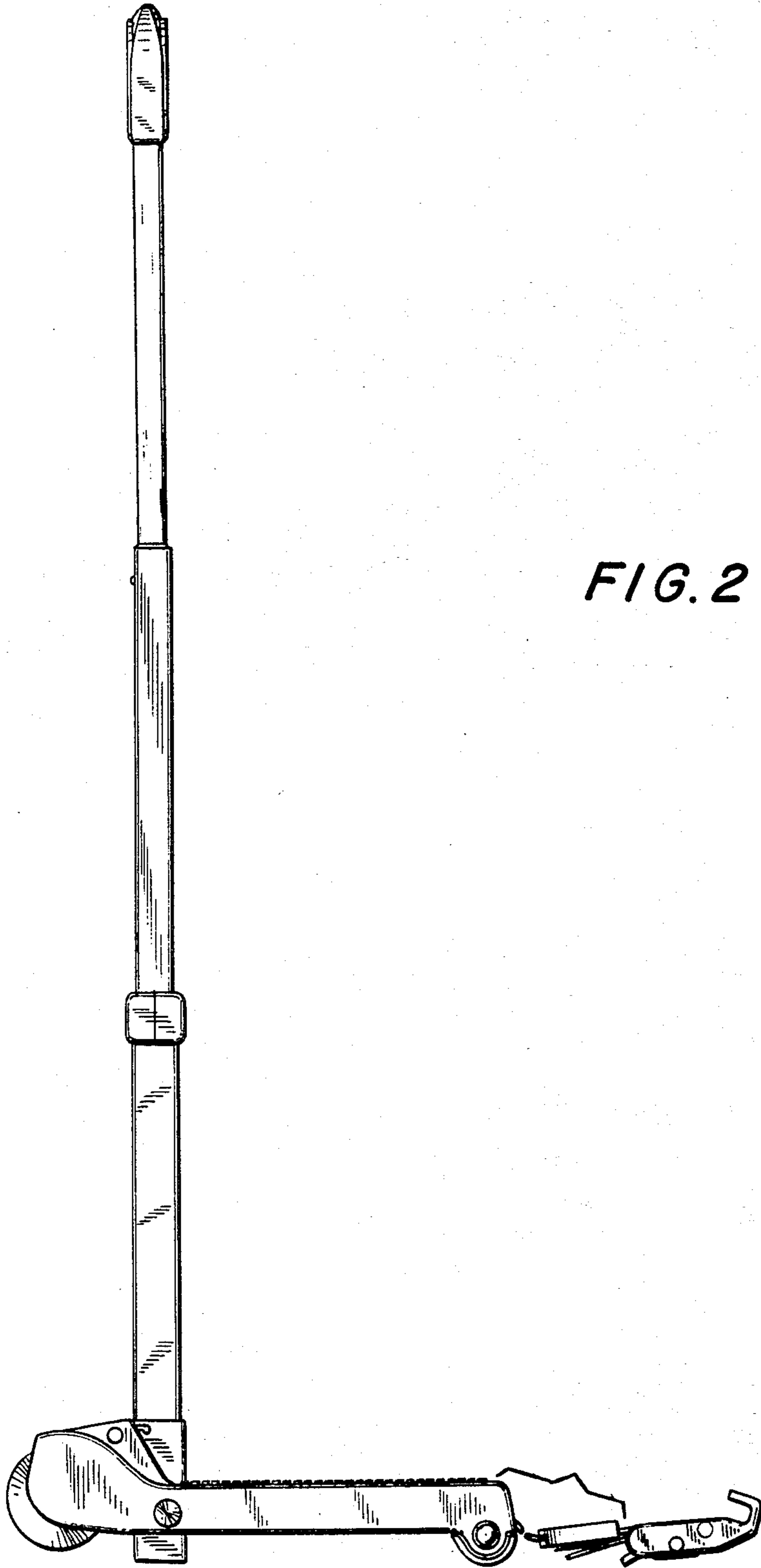
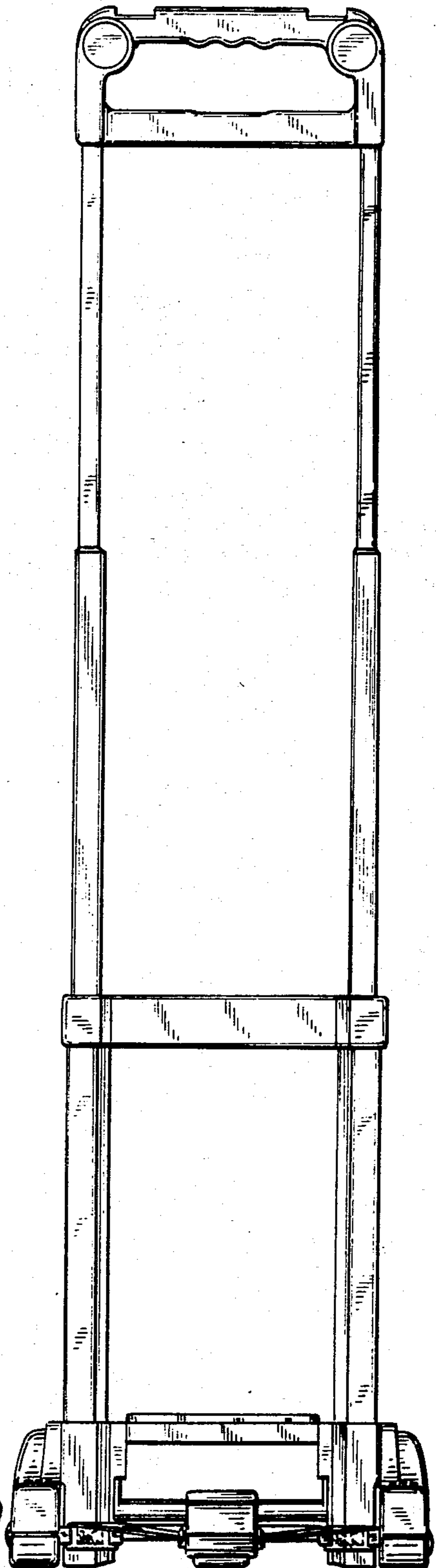


FIG. 2



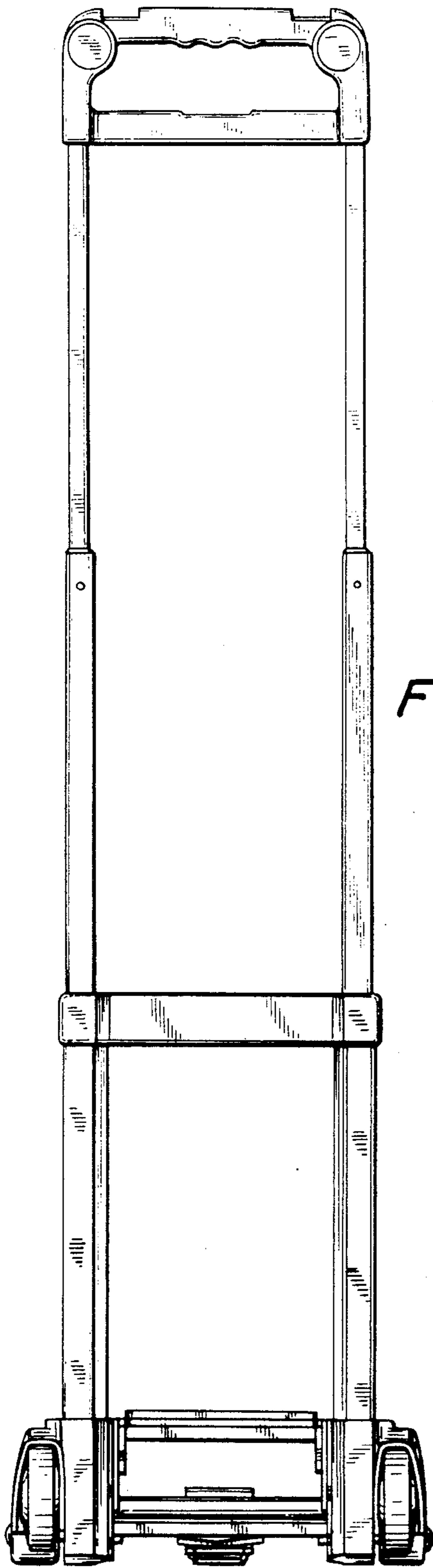


FIG. 4

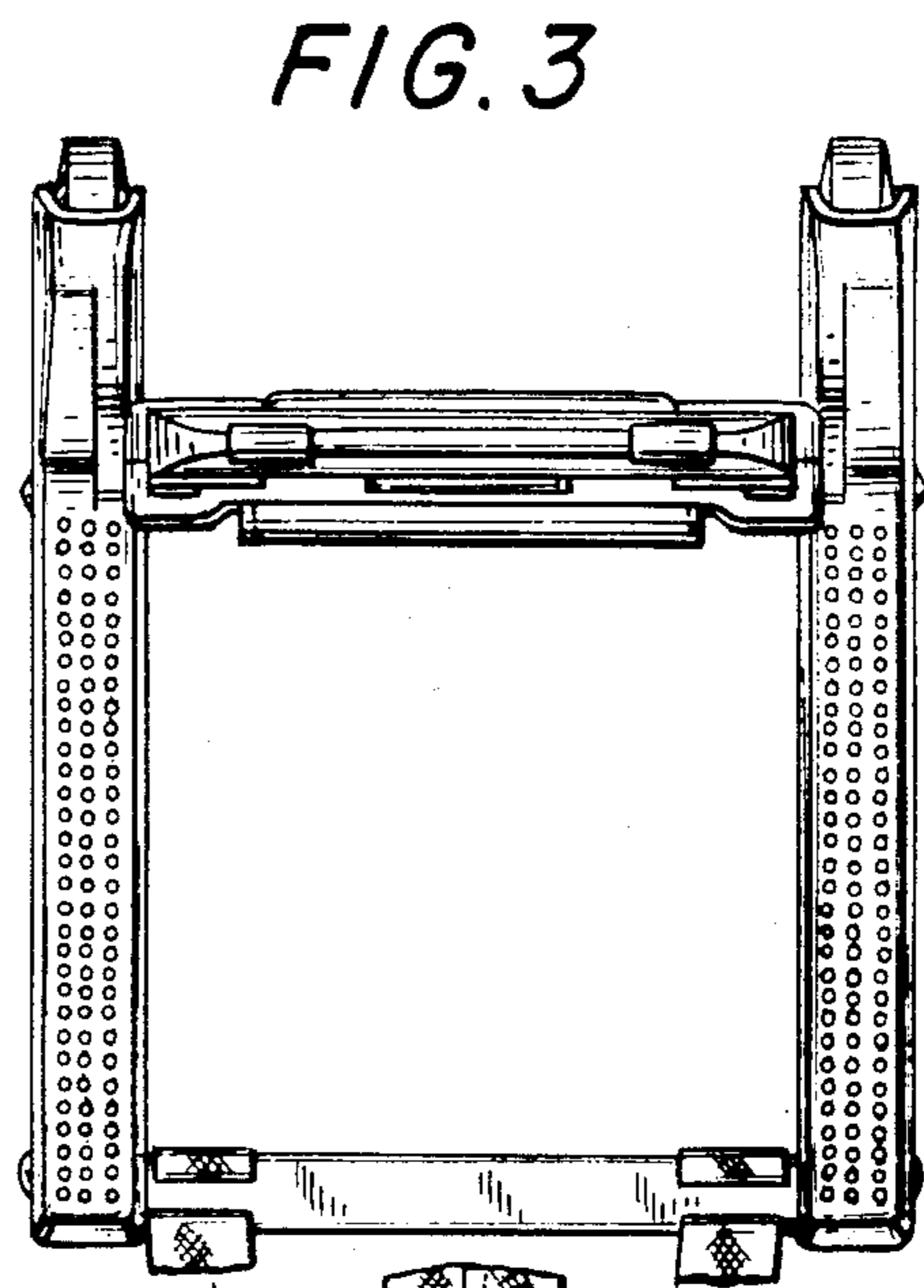


FIG. 3

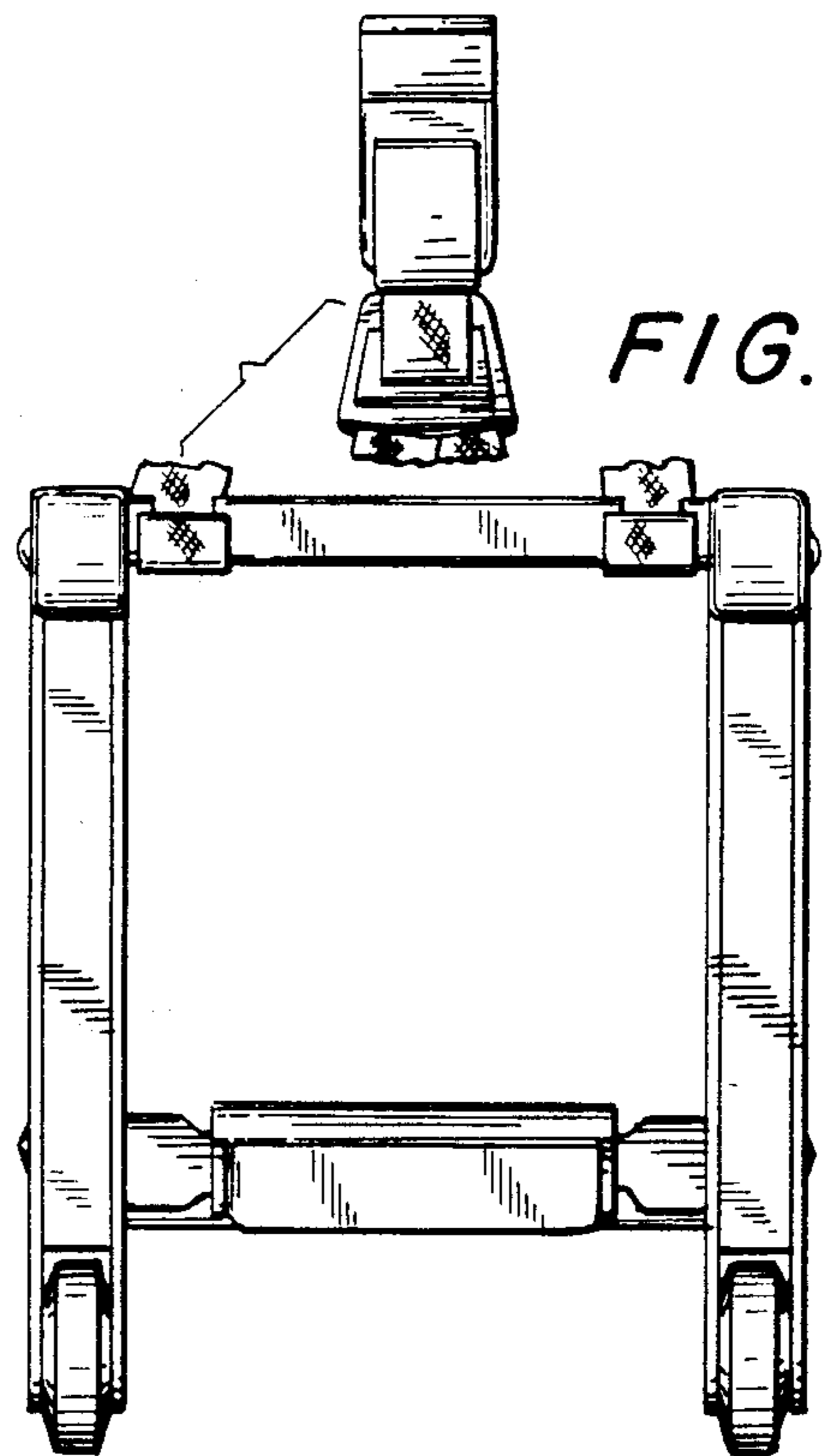
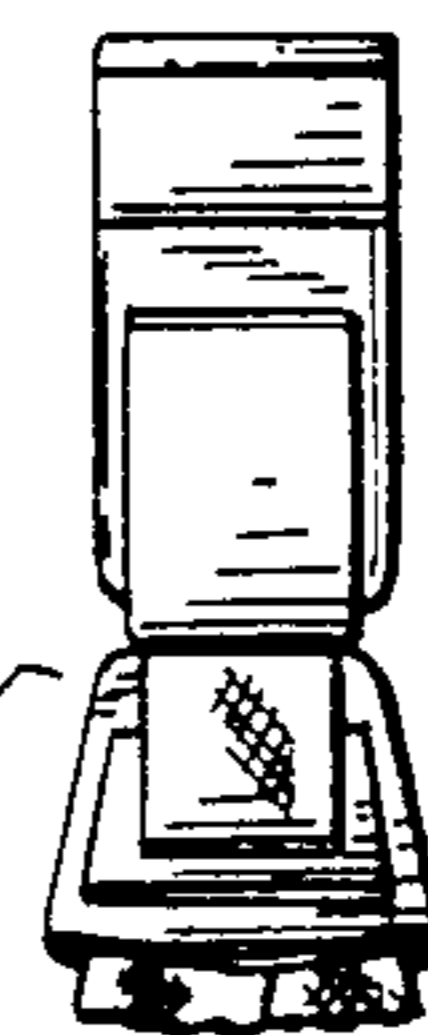


FIG. 5



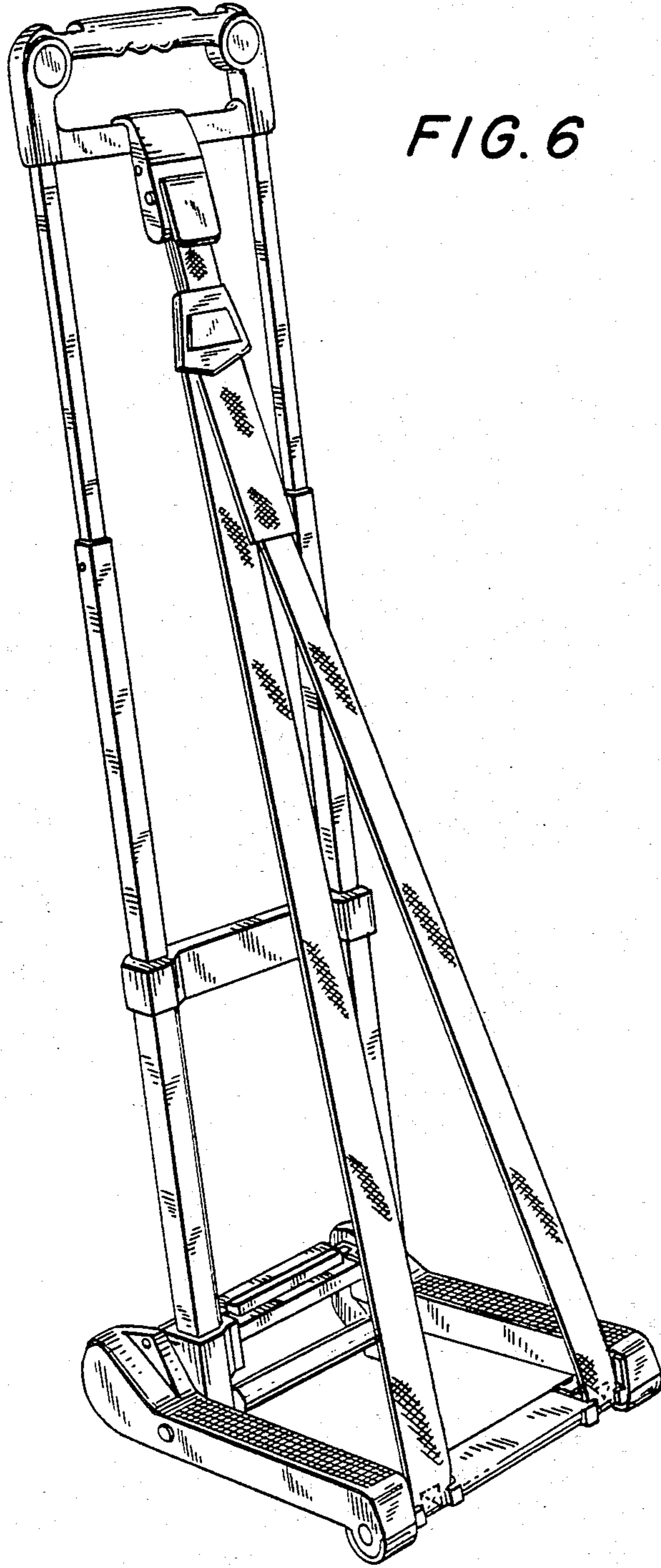


FIG. 6

FIG. 7

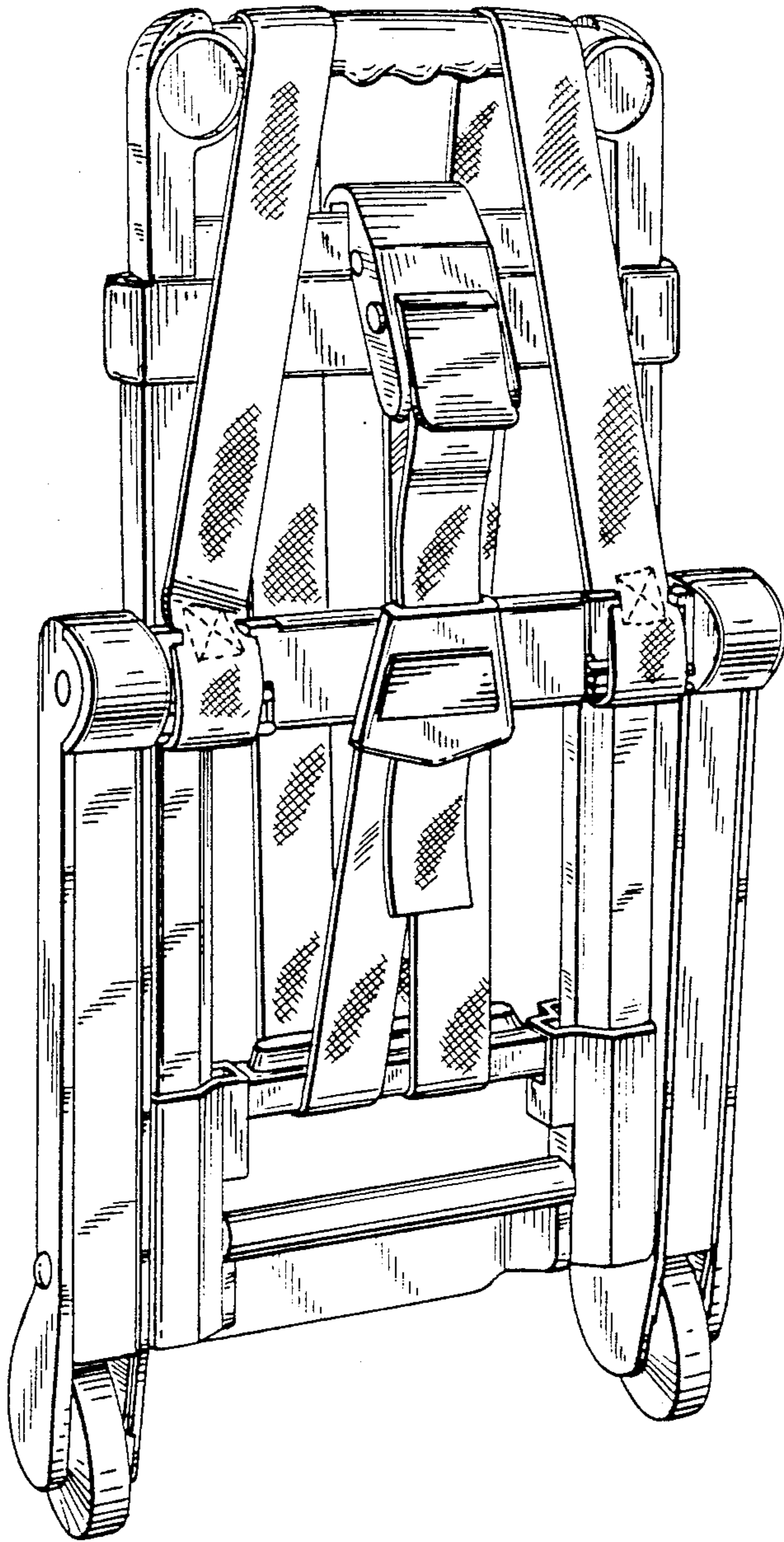


FIG. 8

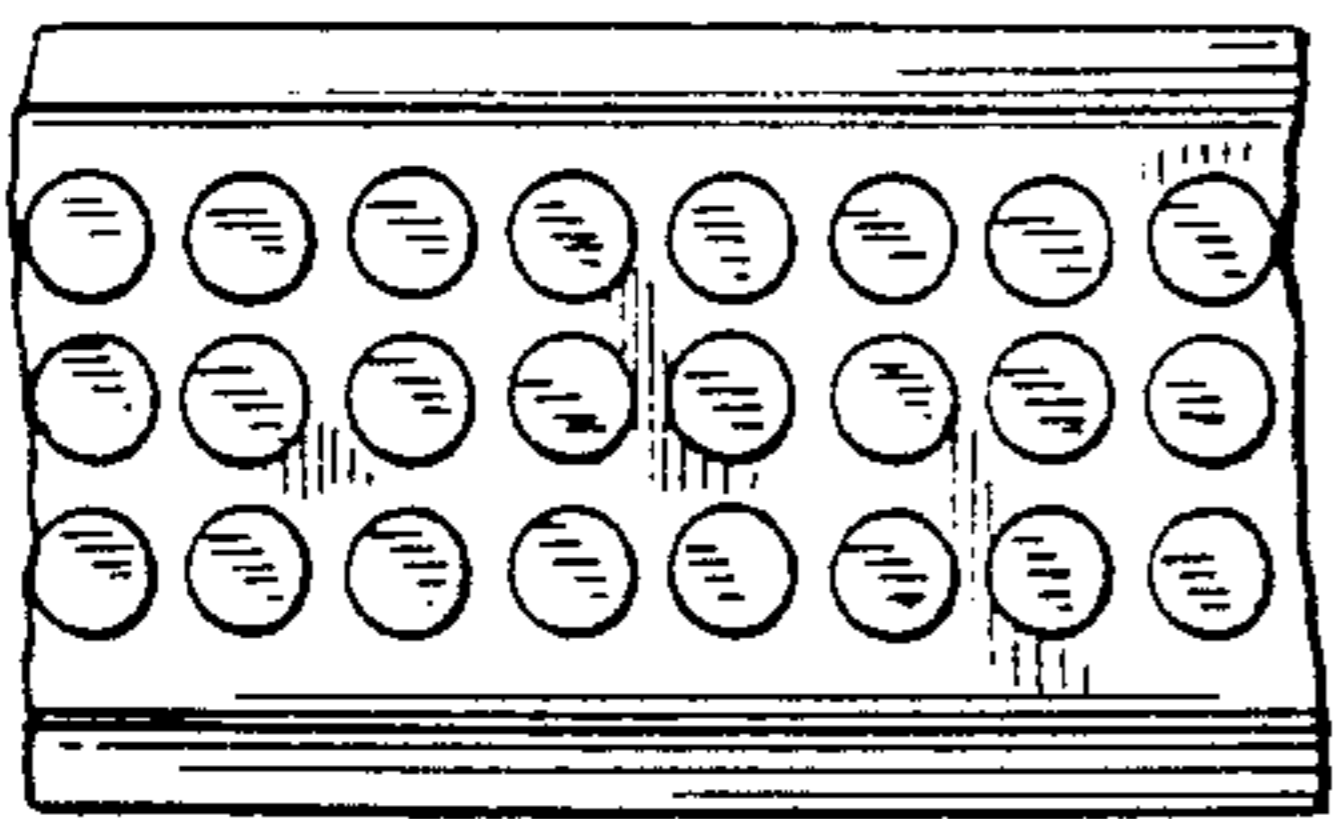


FIG. 9

