

[54] CART

[75] Inventor: **Roland Schunter,**
Lorch-Waldhausen, Fed. Rep. of
Germany

[73] Assignee: **Floordress Reinigungsgeraete GmbH,**
Lorch-Waldhausen, Fed. Rep. of
Germany

[**] Term: **14 Years**

[21] Appl. No.: **670,141**

[22] Filed: **Nov. 9, 1984**

[30] **Foreign Application Priority Data**

May 9, 1984 [DE] Fed. Rep. of Germany 3042
[52] U.S. Cl. **D34/21**
[58] Field of Search **D34/11-27;**
280/47.34, 79.2, 47.35, 79.1 R, 79.1 A, 79.3;
108/106, 111, 96

[56] **References Cited**

U.S. PATENT DOCUMENTS

D. 226,809 5/1973 Cummings D34/21
D. 273,242 3/1984 Maza et al. D34/21
2,830,825 4/1958 Webber et al. 108/111
4,501,369 2/1985 Fox 108/111

OTHER PUBLICATIONS

Lakeside Mfg. Inc. Cat. Stainless Steel Carts Model
744, p. 1.
Continental Plastics Brochure, Structural Plastic Model
271.

Primary Examiner—James M. Gandy
Assistant Examiner—Kay H. Chin
Attorney, Agent, or Firm—Michael J. Striker

[57] **CLAIM**

The ornamental design for a cart, as shown and de-
scribed.

DESCRIPTION

FIG. 1 is a perspective view of a cart showing my new
design;
FIG. 2 is a front elevational view thereof, the rear being
a mirror image of that shown;
FIG. 3 is a side elevational view thereof, the opposite
side being a mirror image of that shown;
FIG. 4 is a top plan view thereof;
FIG. 5 is a bottom plan view thereof;
FIG. 6 is a perspective view of a second embodiment of
a cart showing my new design;
FIG. 7 is a front elevational view of FIG. 6, the rear
being a mirror image of that shown;
FIG. 8 is a side elevational view of FIG. 6, the opposite
side being a mirror image of that shown;
FIG. 9 is a bottom plan view of FIG. 6; and
FIG. 10 is a top plan view of FIG. 6.

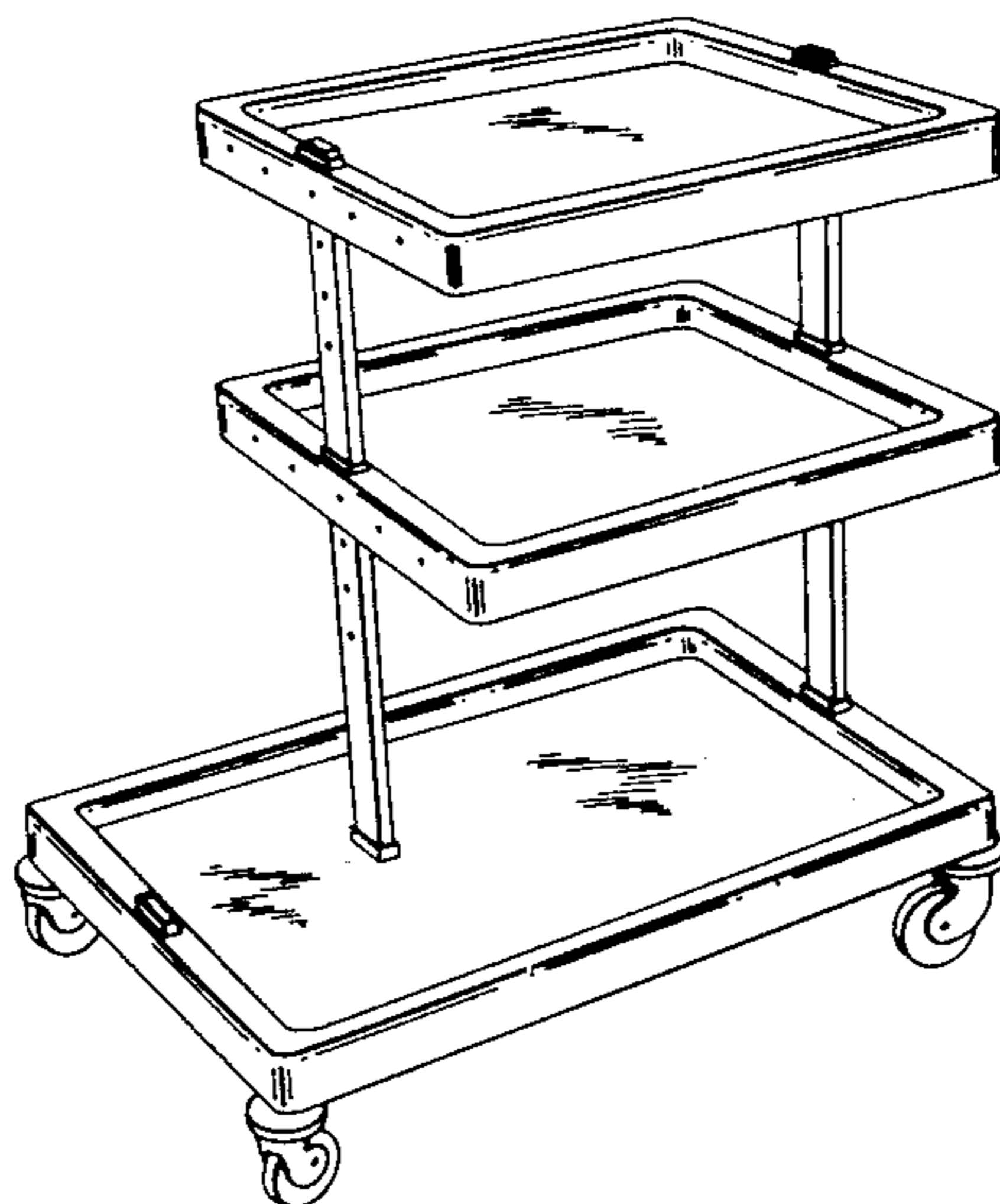


FIG. 1

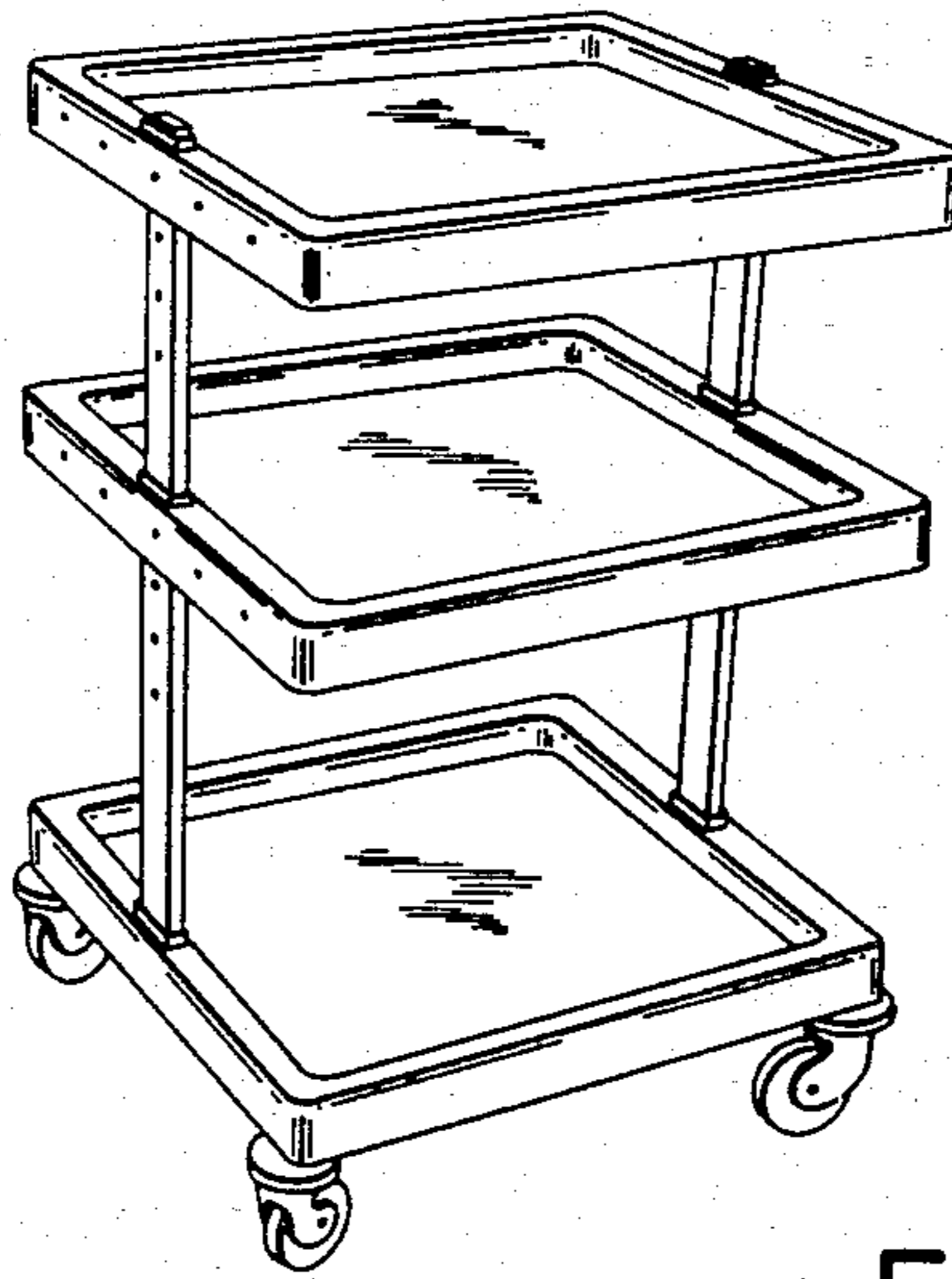


FIG. 3

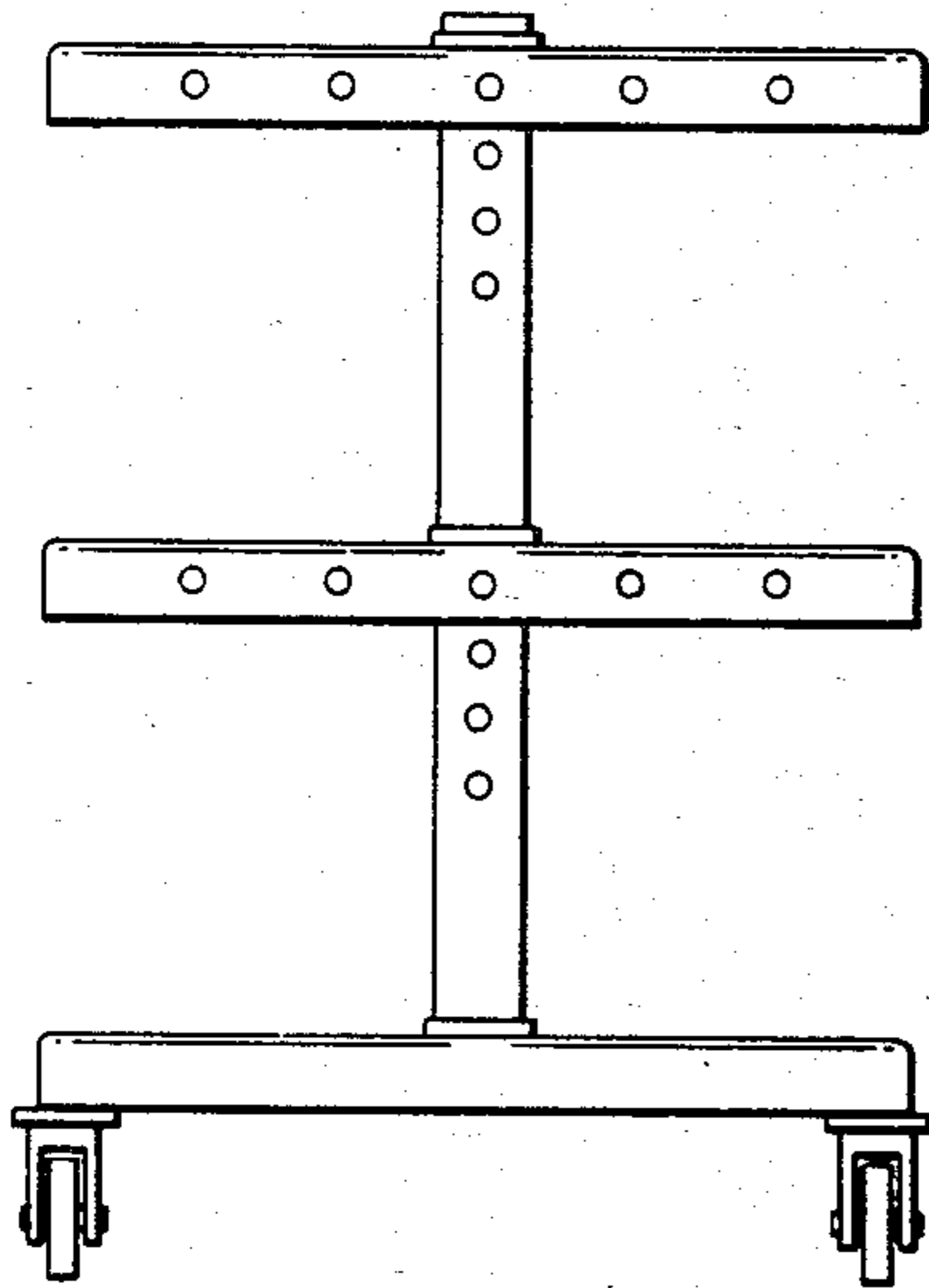


FIG. 2

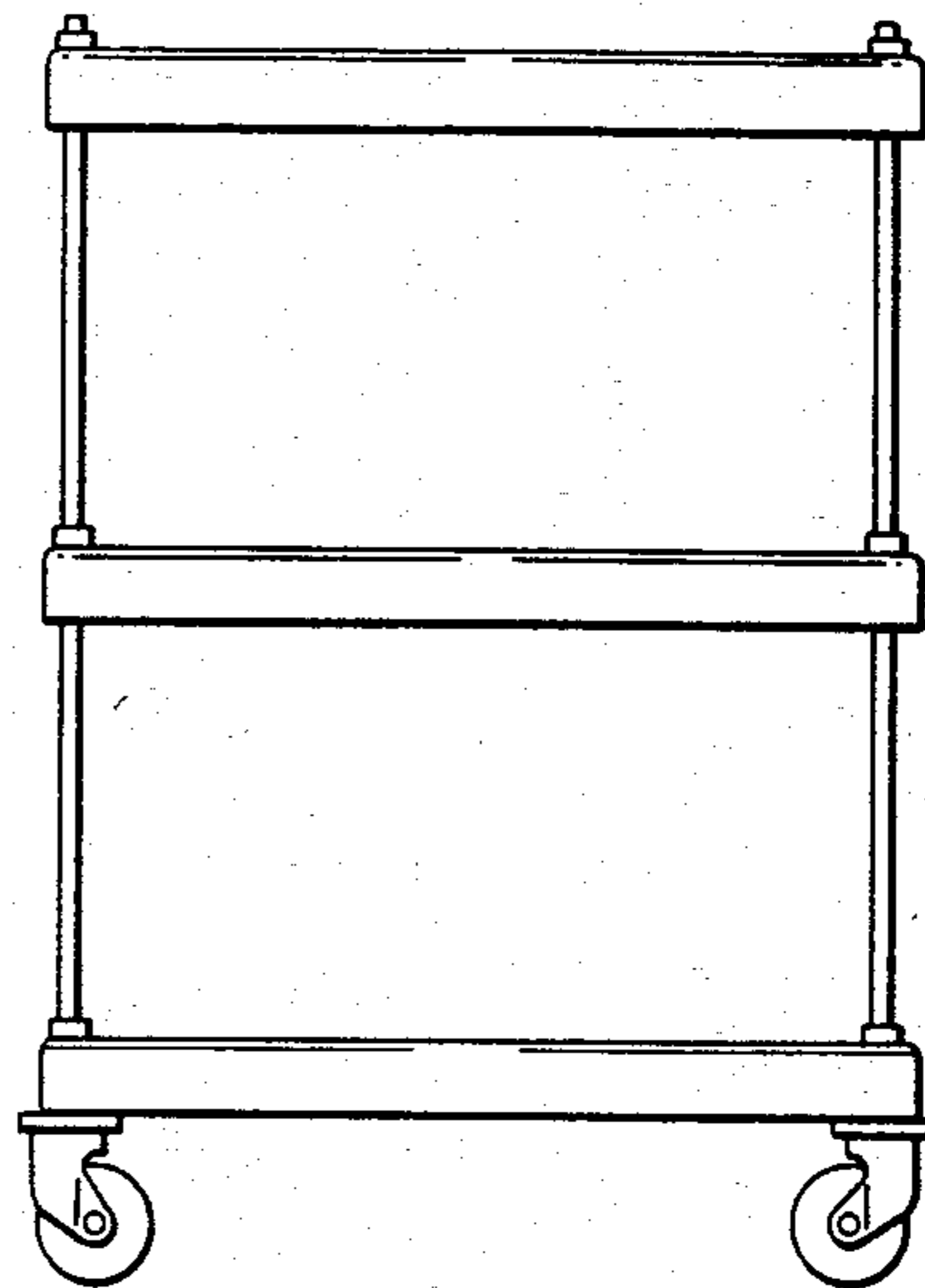


FIG. 4

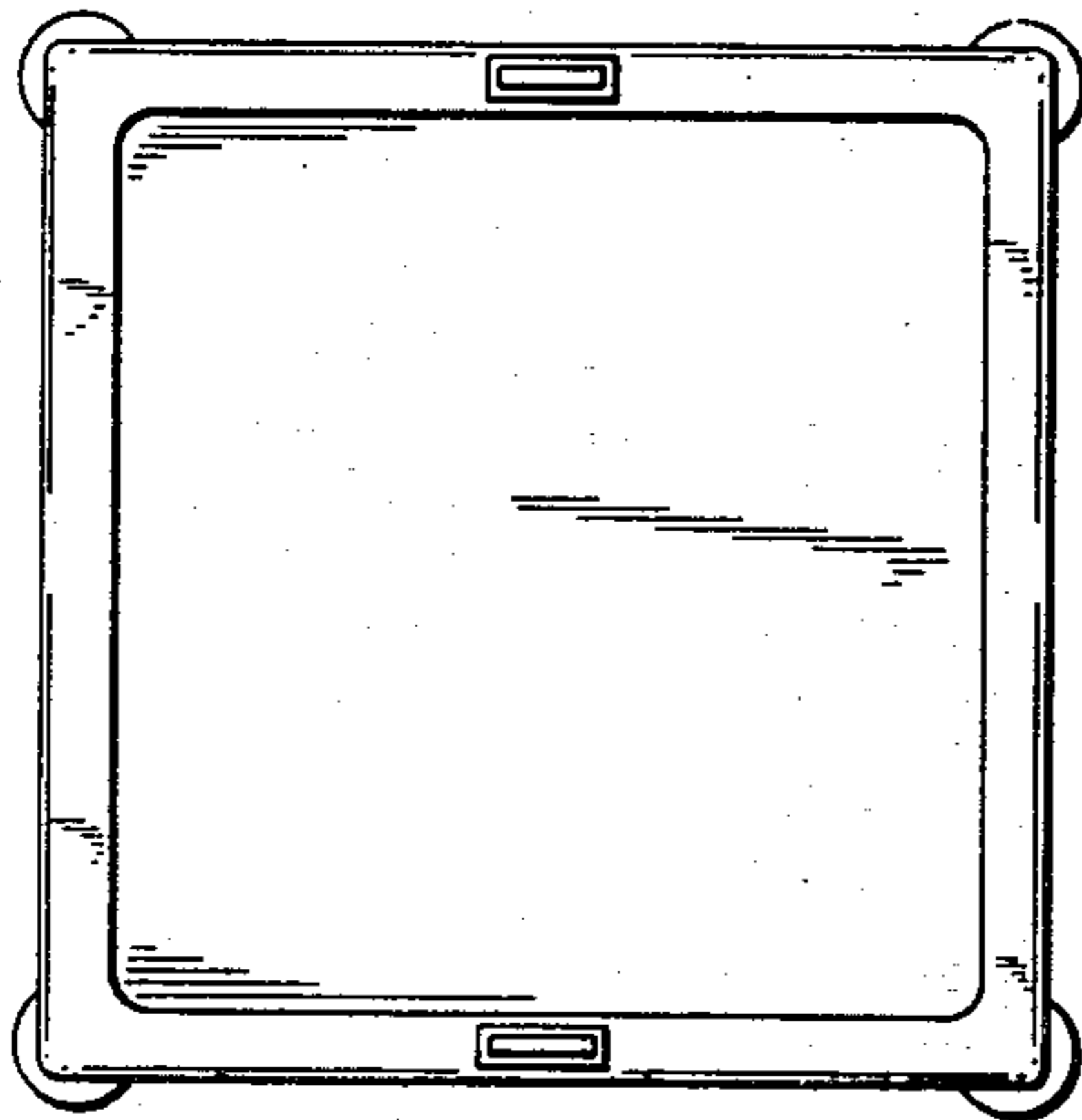
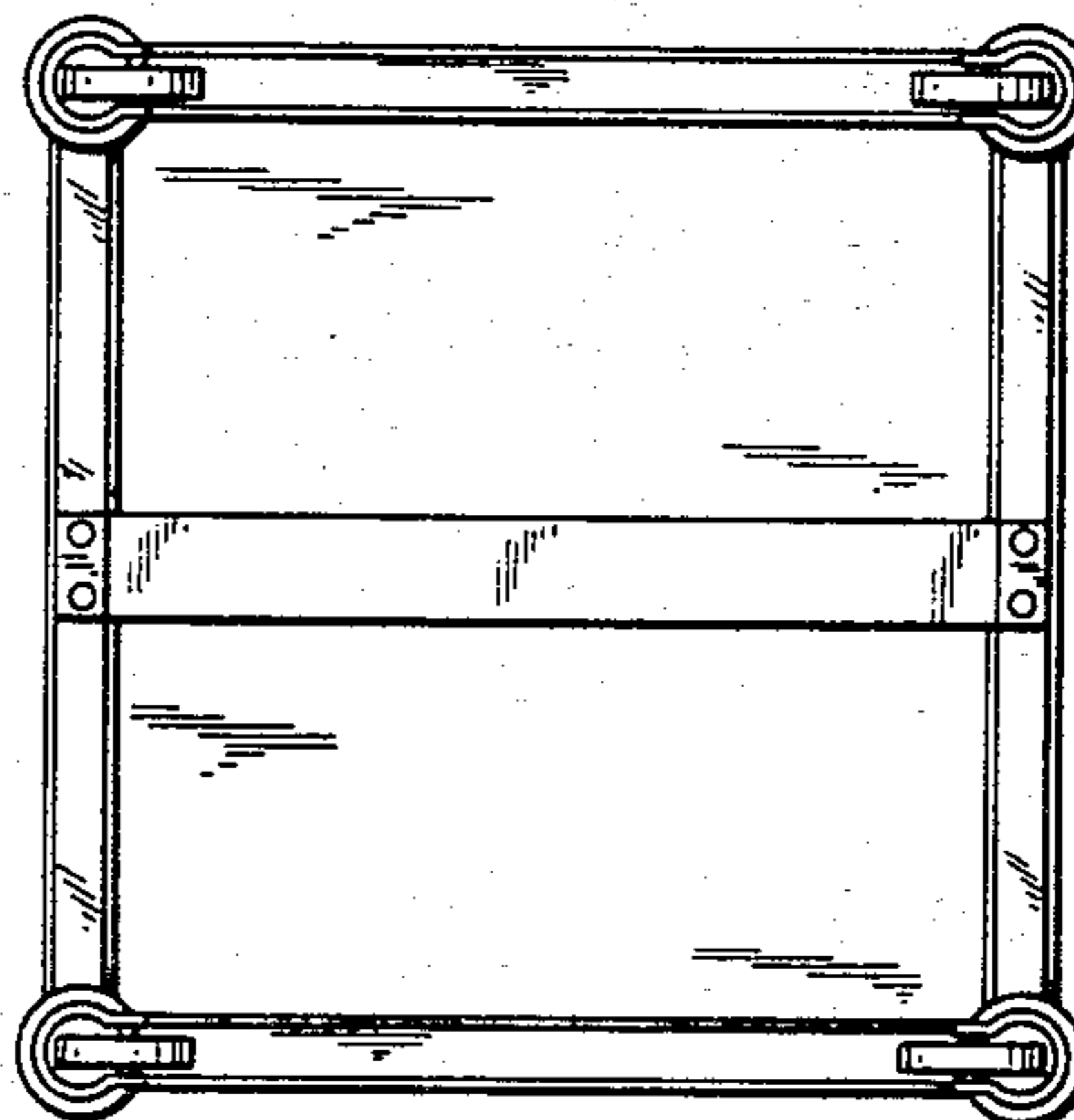


FIG. 5



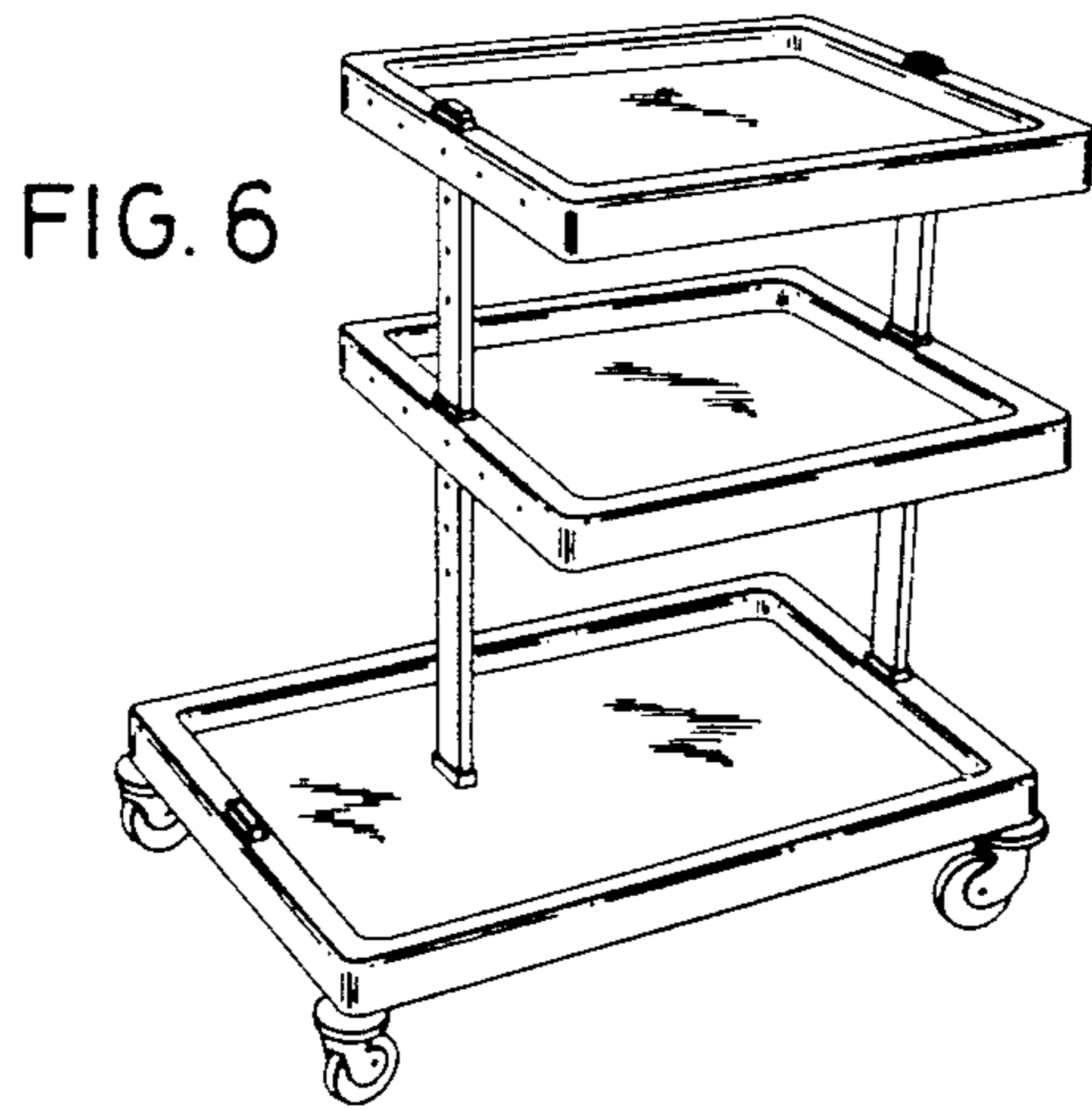


FIG. 9

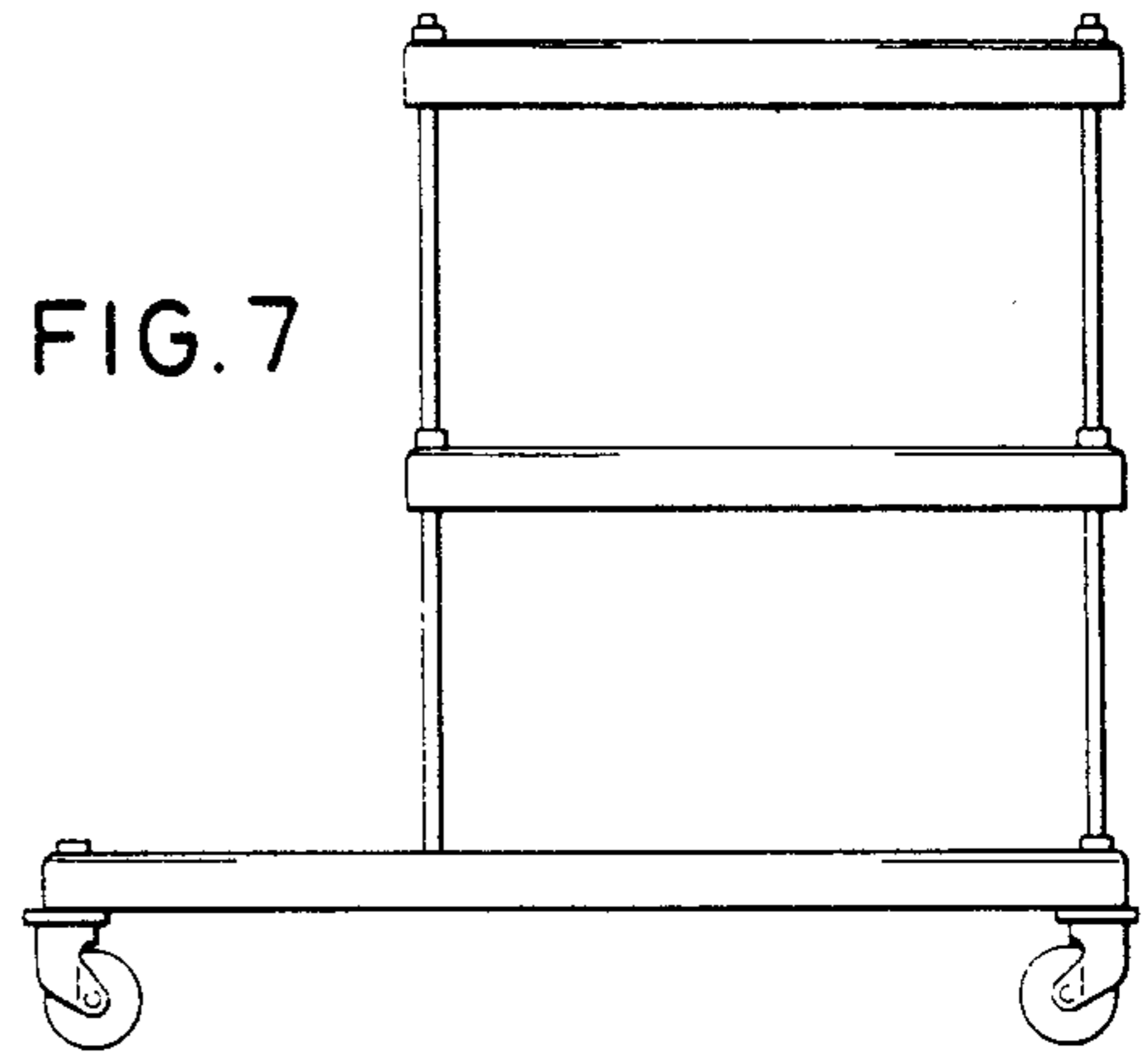
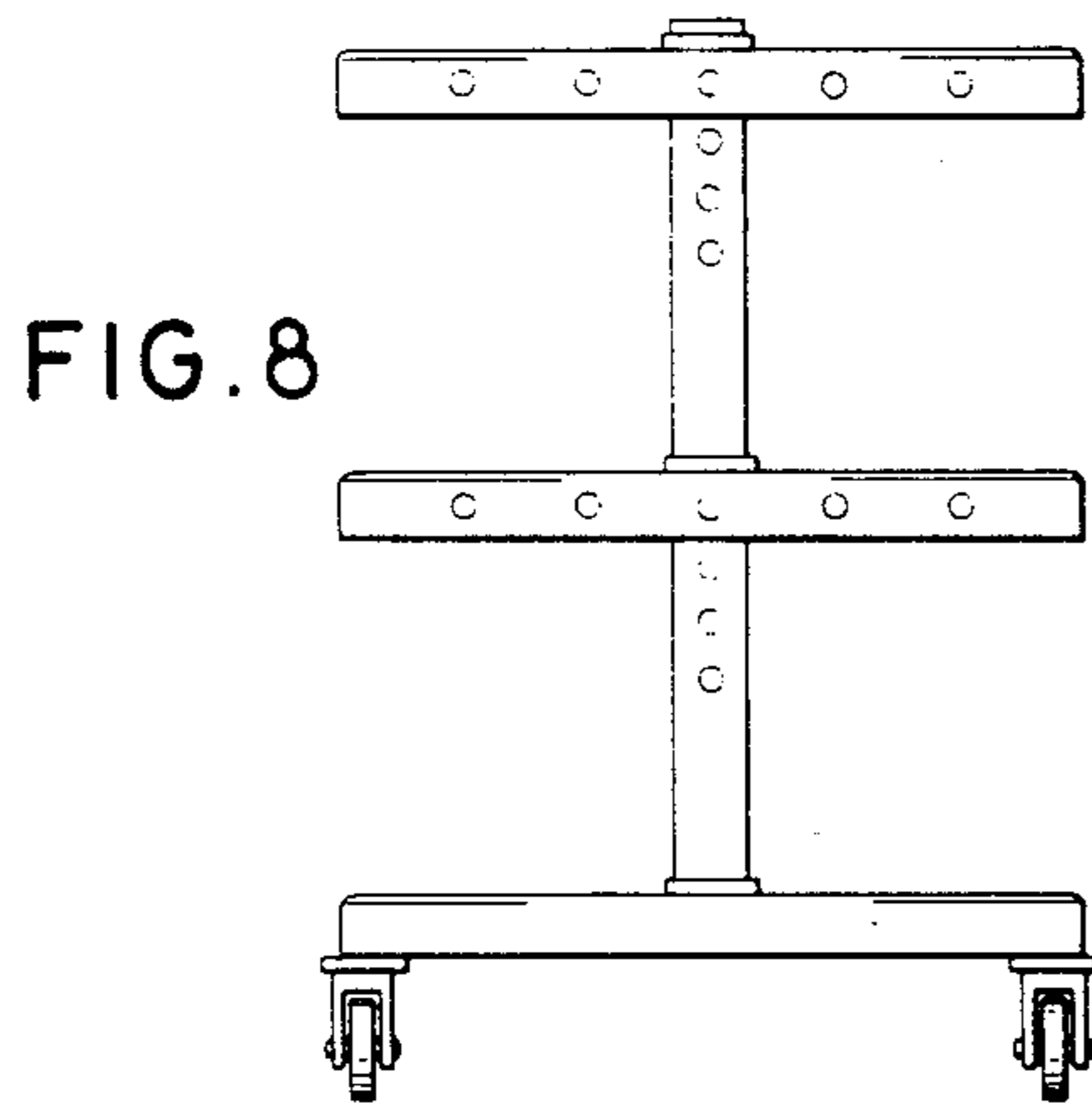
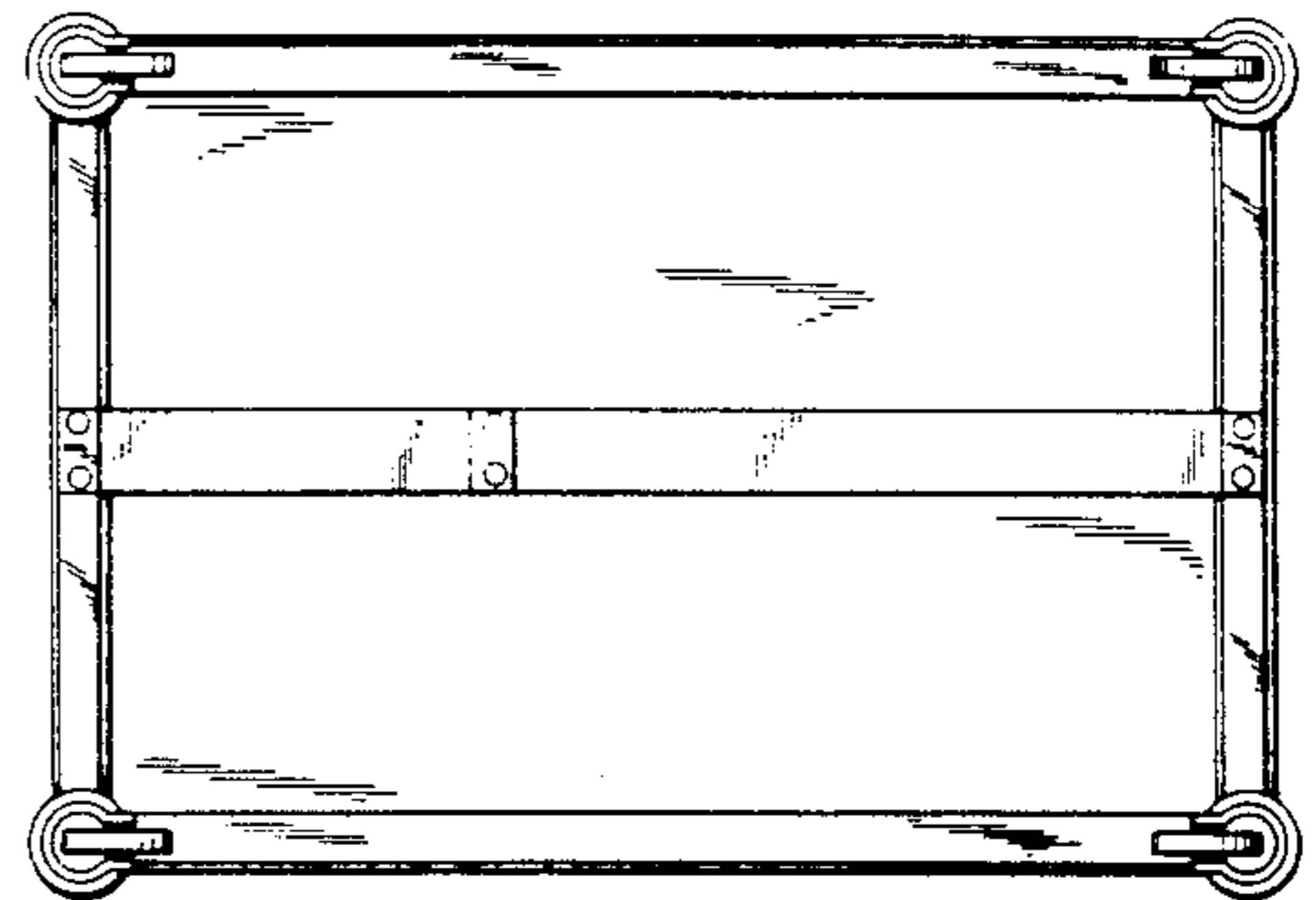


FIG. 10

