

[54] **HEAD FOR A PORTABLE AIR BLOWER FOR YARD AND LAWN CARE**

[75] **Inventors: Raymond G. Smith; Raymond M. Carter, both of Los Angeles, Calif.**

[73] **Assignee: Hawaiian Motor Company, Long Beach, Calif.**

[**] **Term: 14 Years**

[21] **Appl. No.: 549,043**

[22] **Filed: Nov. 7, 1983**

[52] **U.S. Cl. D32/18**

[58] **Field of Search D23/162; D32/1, 6, 15, D32/17, 23; 15/405, 407; 425/535; 15/300 R, 344, 327 E, 327 D, 327 R, 314, 330, 337**

[56] **References Cited**

U.S. PATENT DOCUMENTS

- D. 207,359 4/1967 Hajec D23/162
- D. 263,547 3/1982 Carsello D32/18
- 2,598,499 5/1952 Breuer et al. 15/405

4,404,706 9/1983 Loyd 15/344

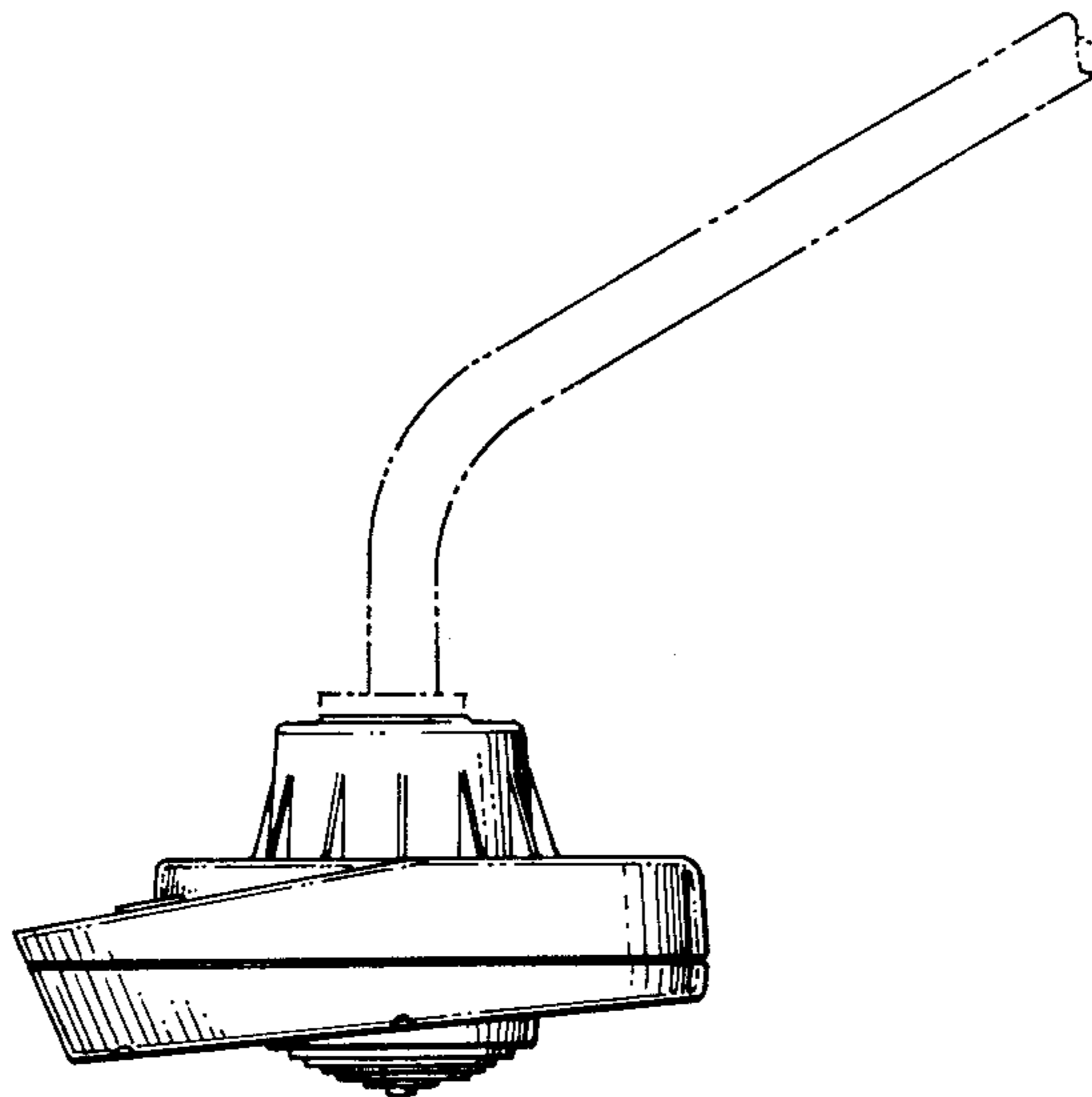
Primary Examiner—Catherine E. Kemper
Attorney, Agent, or Firm—Nilsson, Robbins, Dalgarn, Berliner, Carson & Wurst

[57] **CLAIM**

The ornamental design for a head for a portable air blower for yard and lawn care, substantially as shown and described.

DESCRIPTION

FIG. 1 is a side elevational view of a head for a portable air blower for yard and lawn care showing our new design, in which broken lines are shown for illustrative purposes only and form no part of the claimed design; FIG. 2 is an enlarged elevational view thereof; FIG. 3 is an elevational view as seen from the opposite side; FIG. 4 is a front elevational view thereof; FIG. 5 is a rear elevational view thereof; FIG. 6 is a top plan view thereof; FIG. 7 is a bottom plan view thereof.



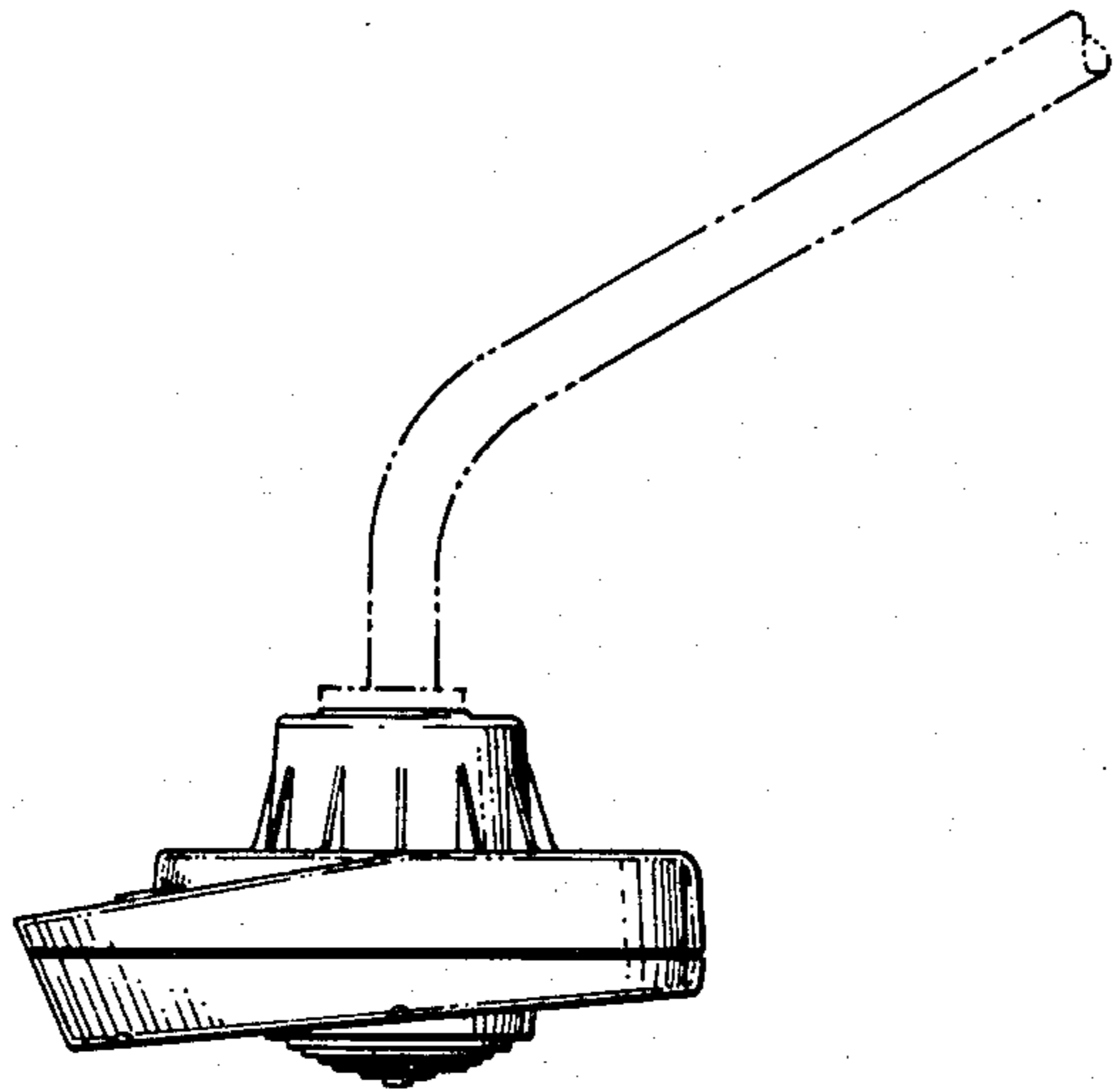


FIG. 1

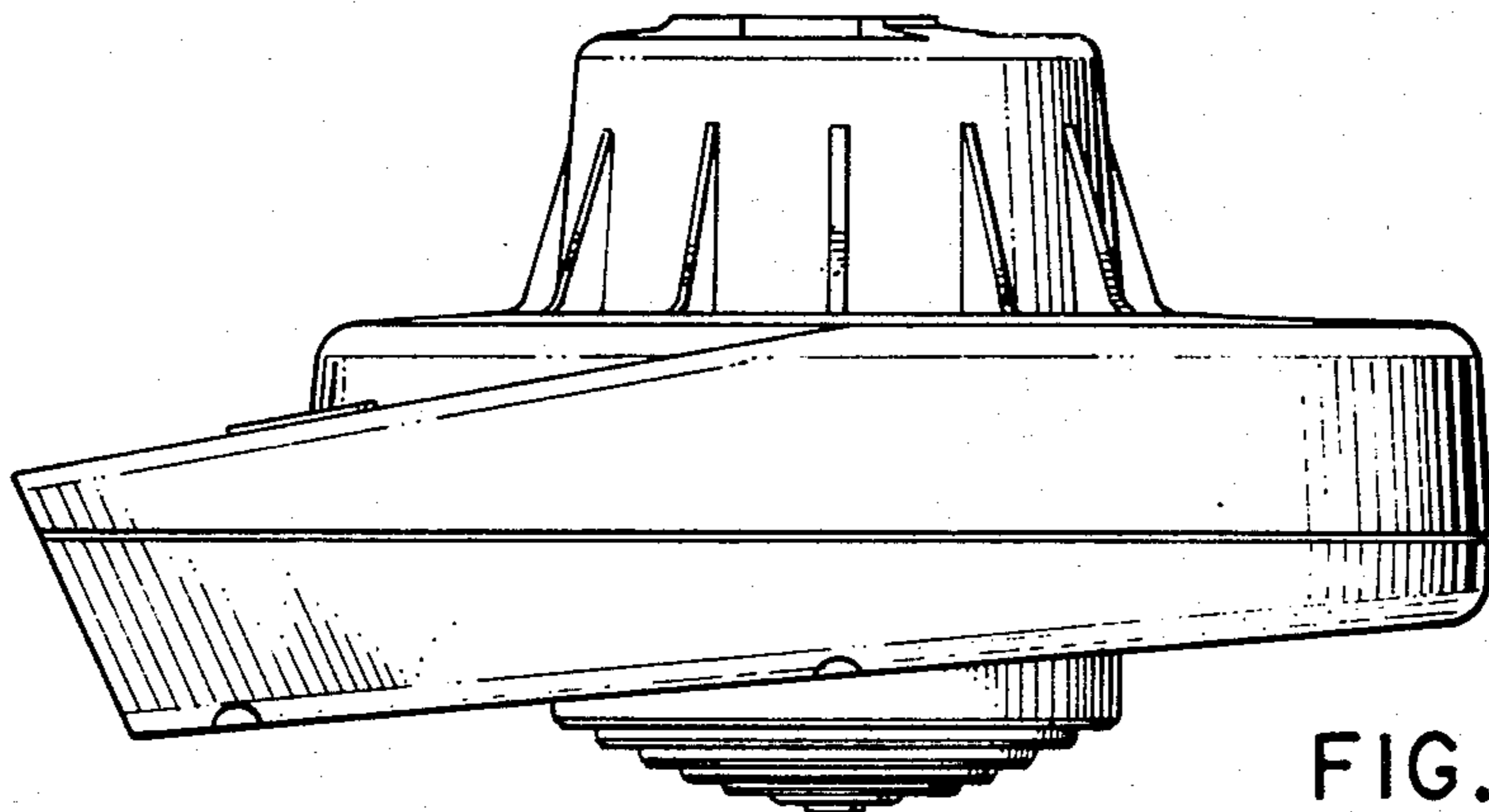


FIG. 2

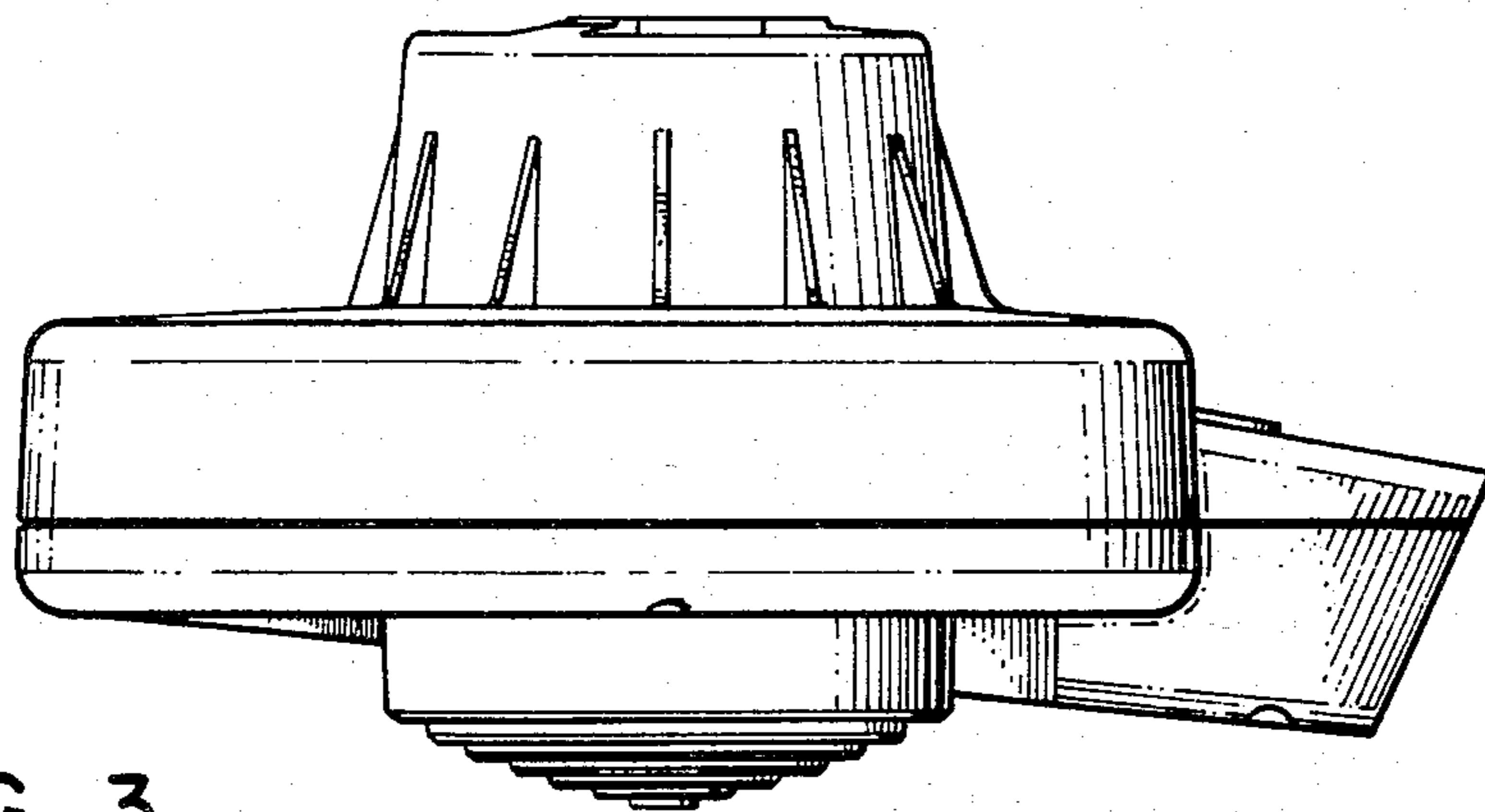


FIG. 3

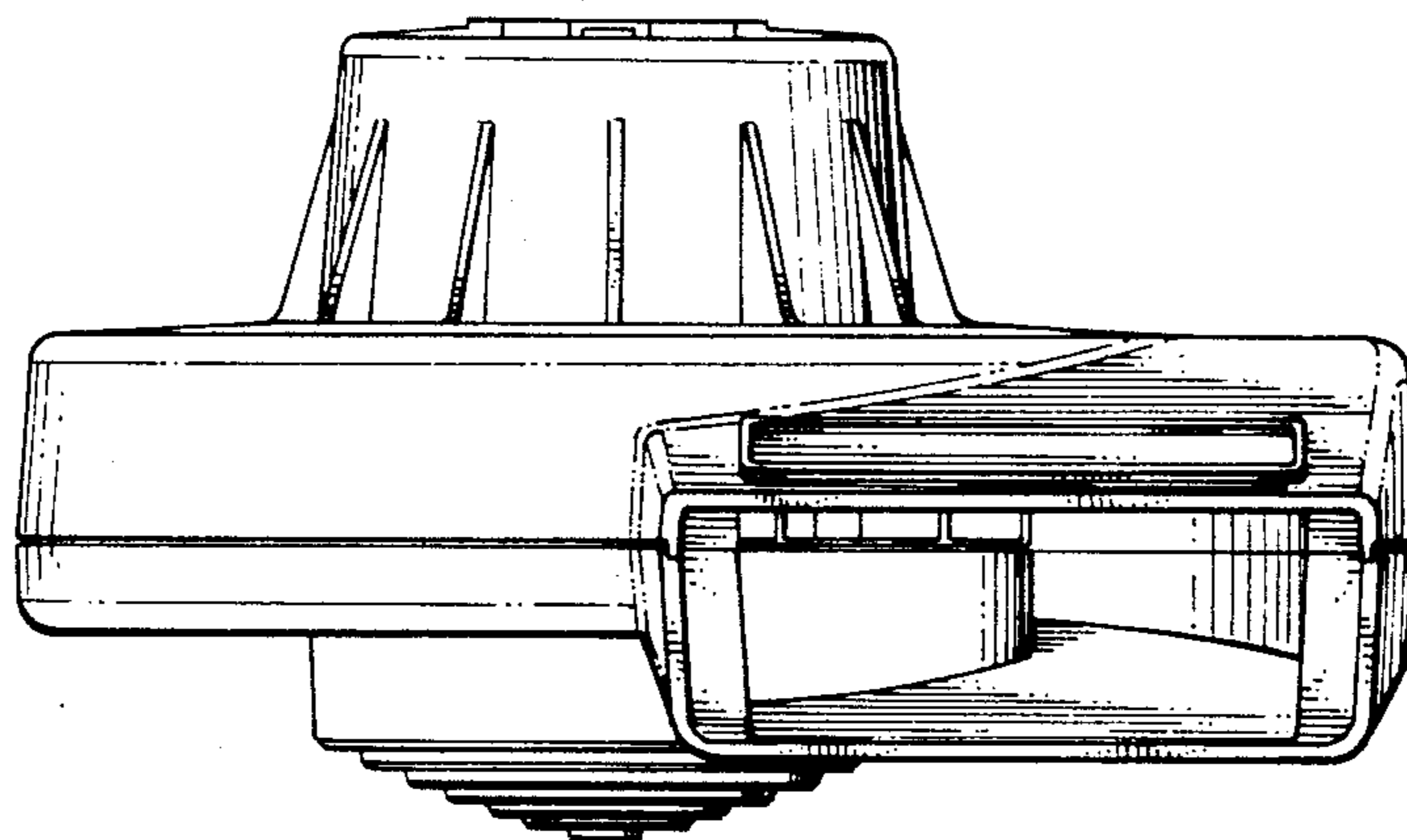


FIG. 4

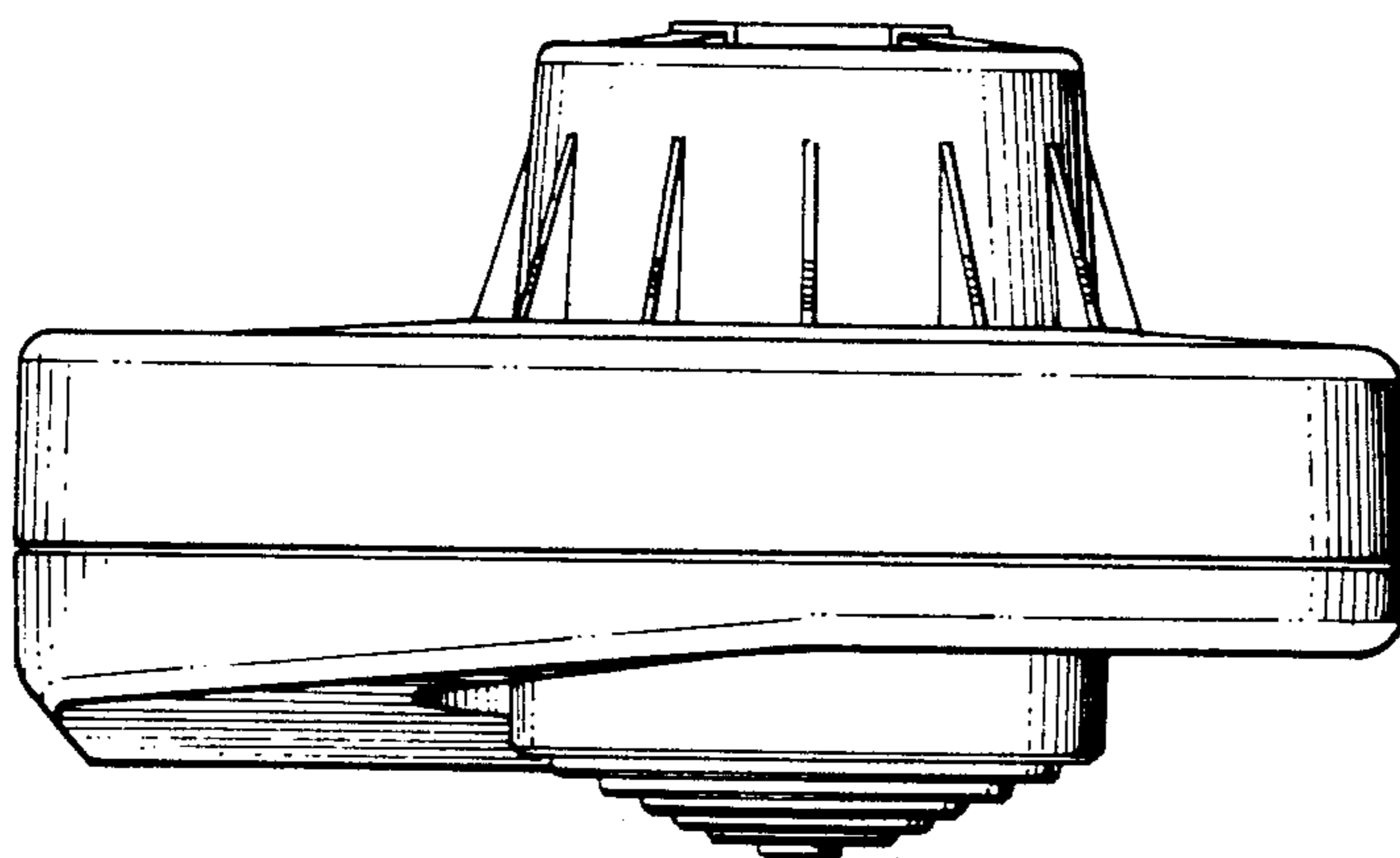


FIG. 5

FIG. 6

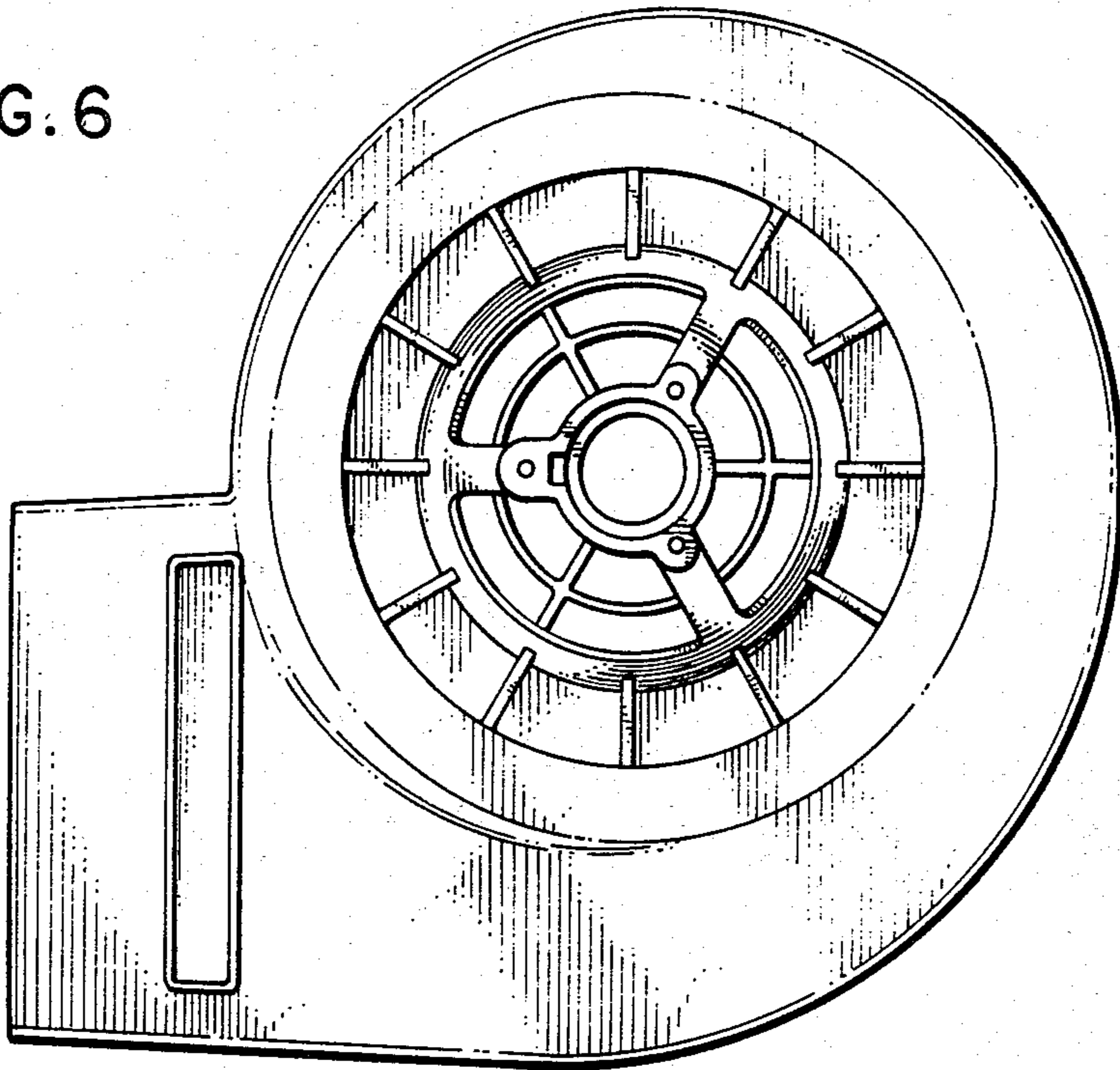


FIG. 7

