

[54] COMBINED APPLICATOR AND GROOMING BRUSH FOR ANIMALS

[76] Inventor: Charles N. Wilkeson, 114 Colina Pl., Ormond Beach, Fla. 32074

[**] Term: 14 Years

[21] Appl. No.: 745,495

[22] Filed: Jun. 17, 1985

[52] U.S. Cl. D30/40; D4/136

[58] Field of Search D30/40; D4/103, 114, D4/129, 136, 138; 119/83, 84, 85; 401/6-8, 28, 268; 132/114

2,379,330 6/1945 Wilensky 401/28
4,237,822 12/1980 Kaiser, Jr. 119/85
4,343,265 8/1982 Belschmer 119/83
4,543,913 10/1985 Wilkeson 401/28

FOREIGN PATENT DOCUMENTS

515432 2/1955 Italy 401/28

Primary Examiner—James R. Largen
Attorney, Agent, or Firm—Lloyd F. Seebach

[57] CLAIM

The ornamental design for combined applicator and grooming brush for animals, as shown and described.

DESCRIPTION

FIG. 1 is a top plan view of combined applicator and grooming brush for animals, showing my new design; FIG. 2 is a bottom plan view thereof; FIG. 3 is a right side elevational view thereof with the top strap broken away for convenience of illustration, the left side being a mirror image of the right side shown; FIG. 4 is a front elevational view thereof; and FIG. 5 is a rear elevational view thereof.

[56] References Cited

U.S. PATENT DOCUMENTS

D. 183,190 7/1958 Zampetti D4/114
D. 197,762 3/1964 Lussier et al. D4/114
D. 200,761 4/1965 Hamm D4/114
D. 201,428 6/1965 Kellis D4/114
D. 218,445 8/1970 Lovvorn D30/40
1,064,641 6/1913 Halstead 401/28
1,607,674 11/1926 Ives 132/14

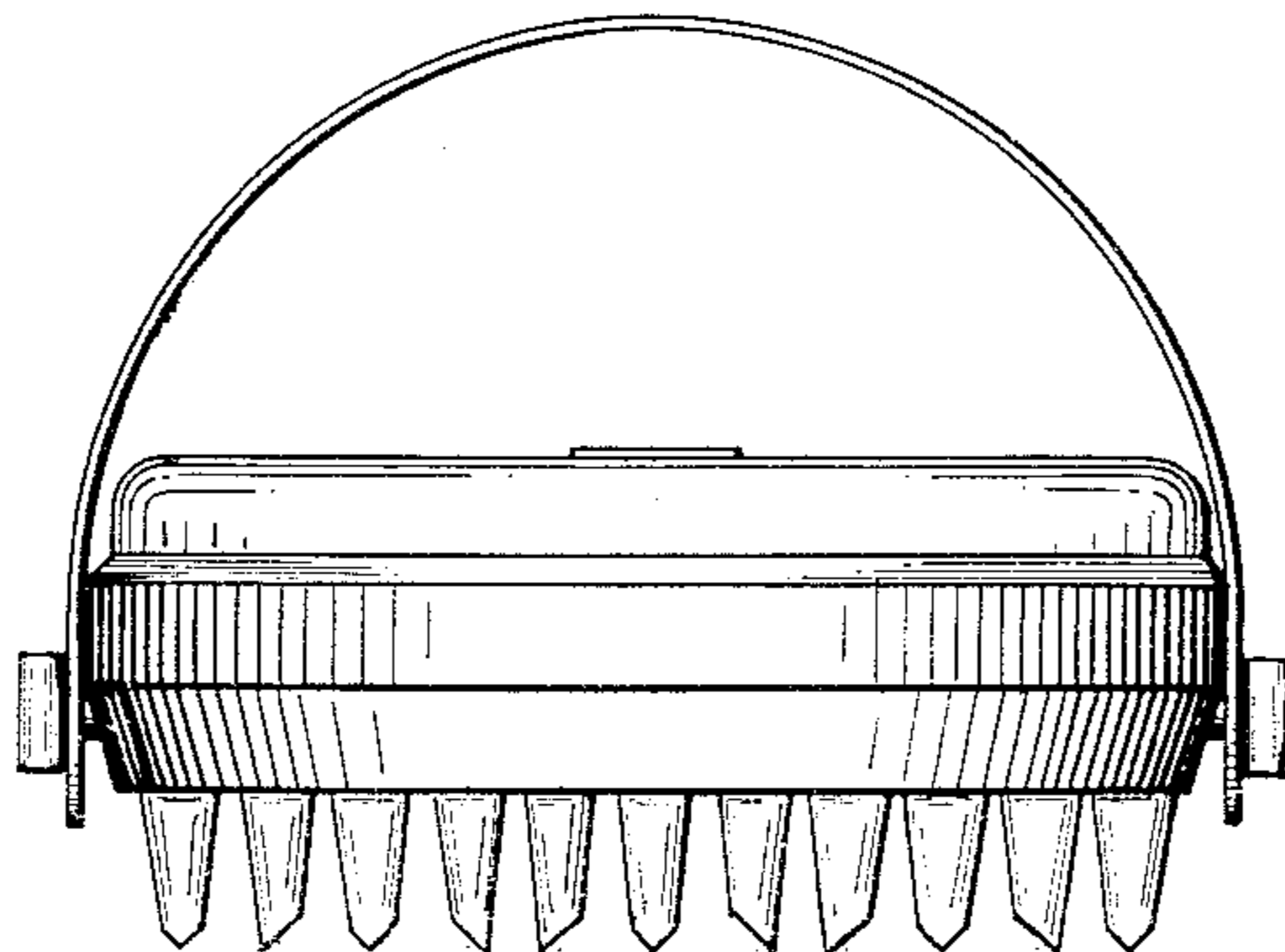
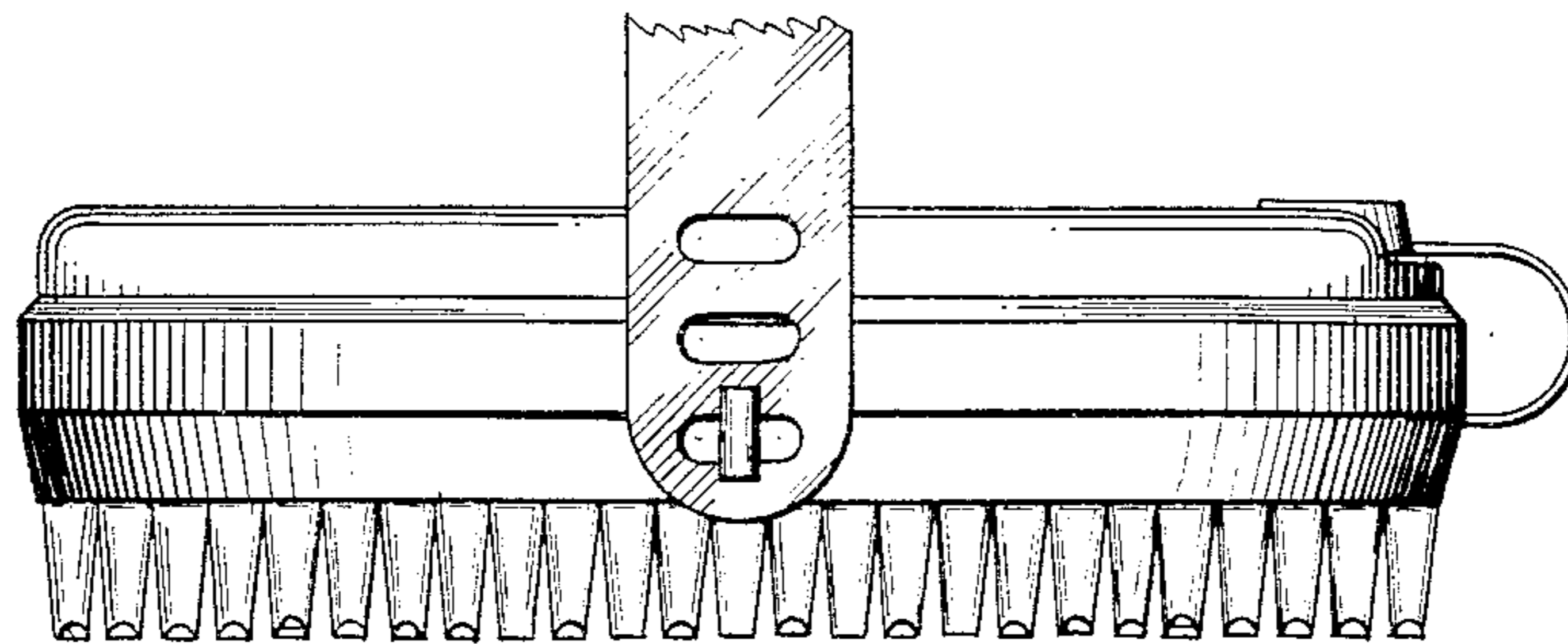


Fig. 1

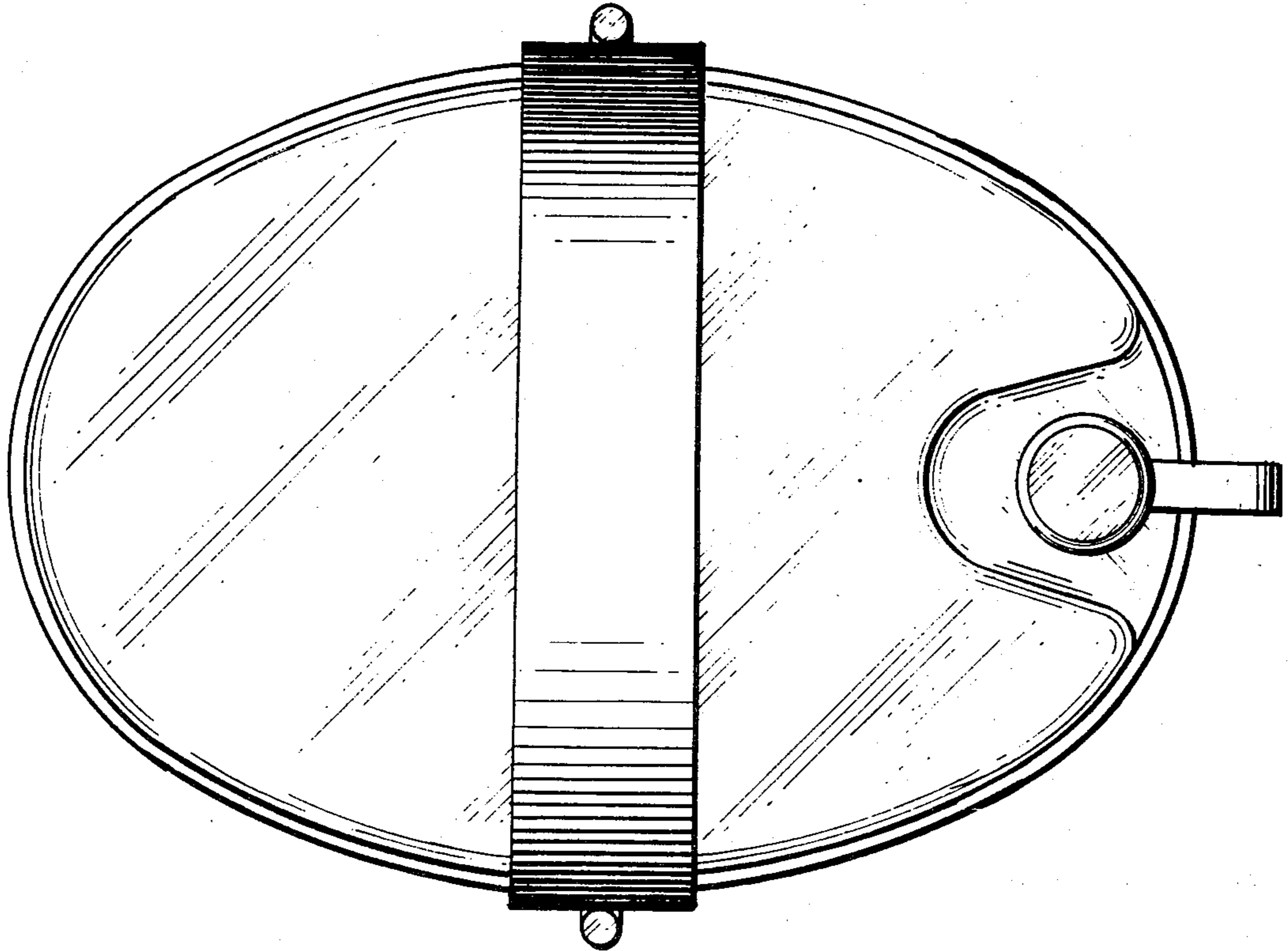


Fig. 2

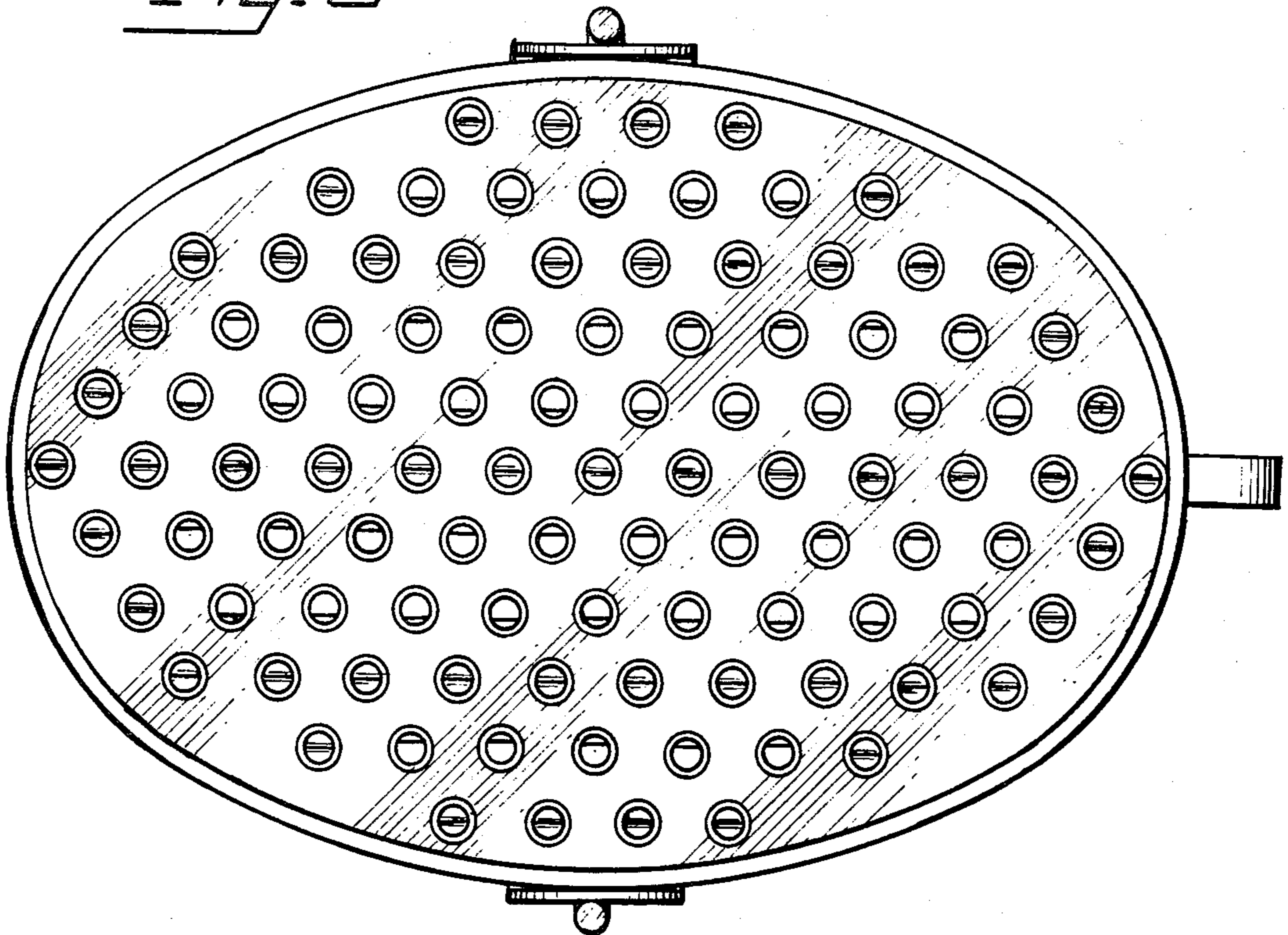


Fig. 3

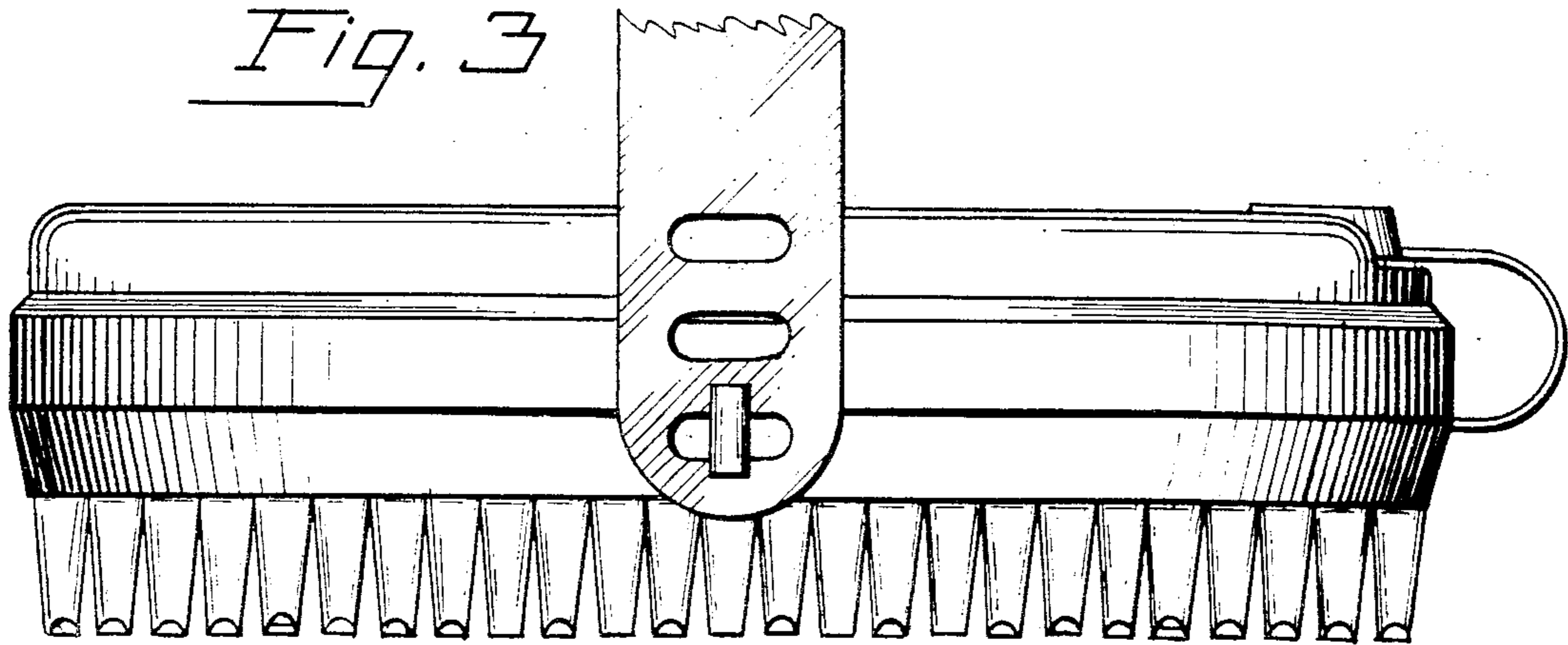


Fig. 4

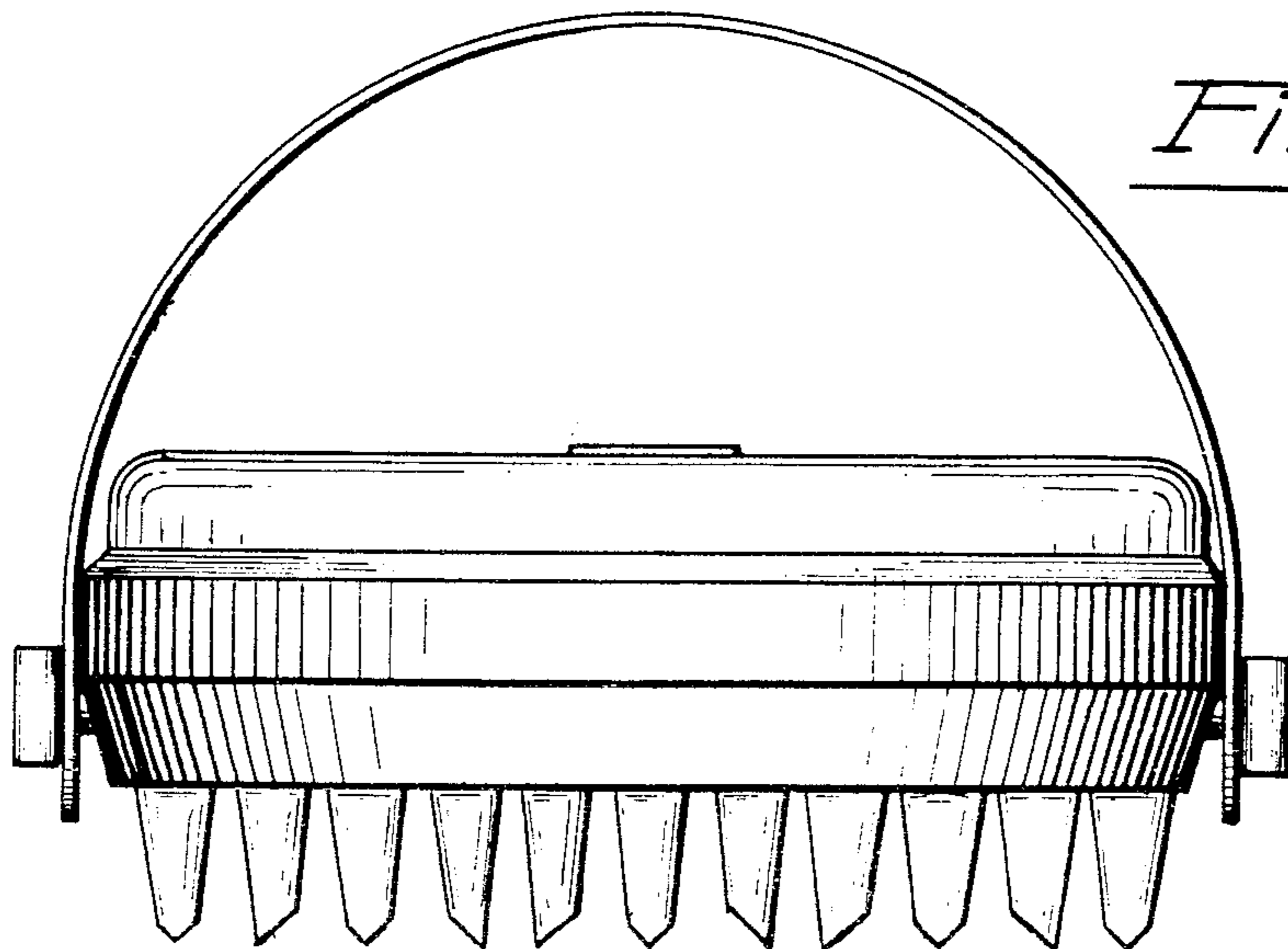


Fig. 5

