

[54] **ILLUMINATED LIPSTICK CASE**

[75] **Inventor: John S. Yuen, Kowloon, Hong Kong**

[73] **Assignee: John Manufacturing Limited,  
Kowloon, Hong Kong**

[\*\*] **Term: 14 Years**

[21] **Appl. No.: 596,803**

[22] **Filed: Apr. 4, 1984**

[30] **Foreign Application Priority Data**

Oct. 5, 1983 [GB] United Kingdom ..... 1 015 516

[52] **U.S. Cl. .... D28/85; D28/77**

[58] **Field of Search .... D28/38, 73, 76-79,  
D28/82-86, 99; D3/39; D9/341, 346, 352, 420,  
423, 424; 220/DIG. 26; 362/135-137; 206/235,  
385, 581, 823; 132/1 R, 1 A, 79 R, 79 C, 79 F,  
79 G, 82 R, 82 A, 82 C-82 F, 83 R, 83 C, 83 E,  
83 F**

[56] **References Cited**

**U.S. PATENT DOCUMENTS**

D. 125,152 2/1941 Hahn ..... D9/420  
D. 168,543 1/1953 Hardy ..... D28/83 X  
D. 243,124 1/1977 Horowitz ..... D28/77  
3,502,089 3/1970 Paradis ..... 132/82 R

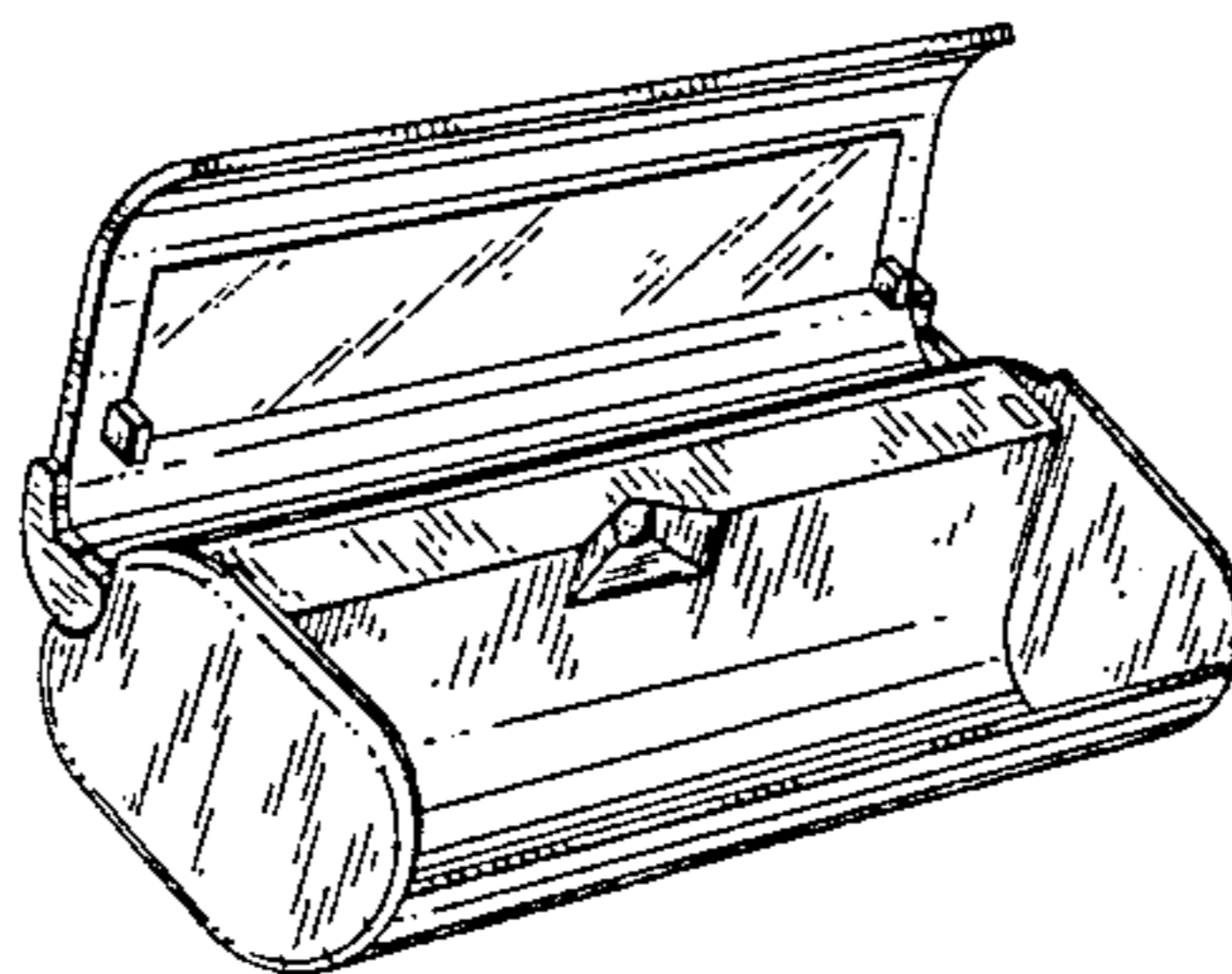
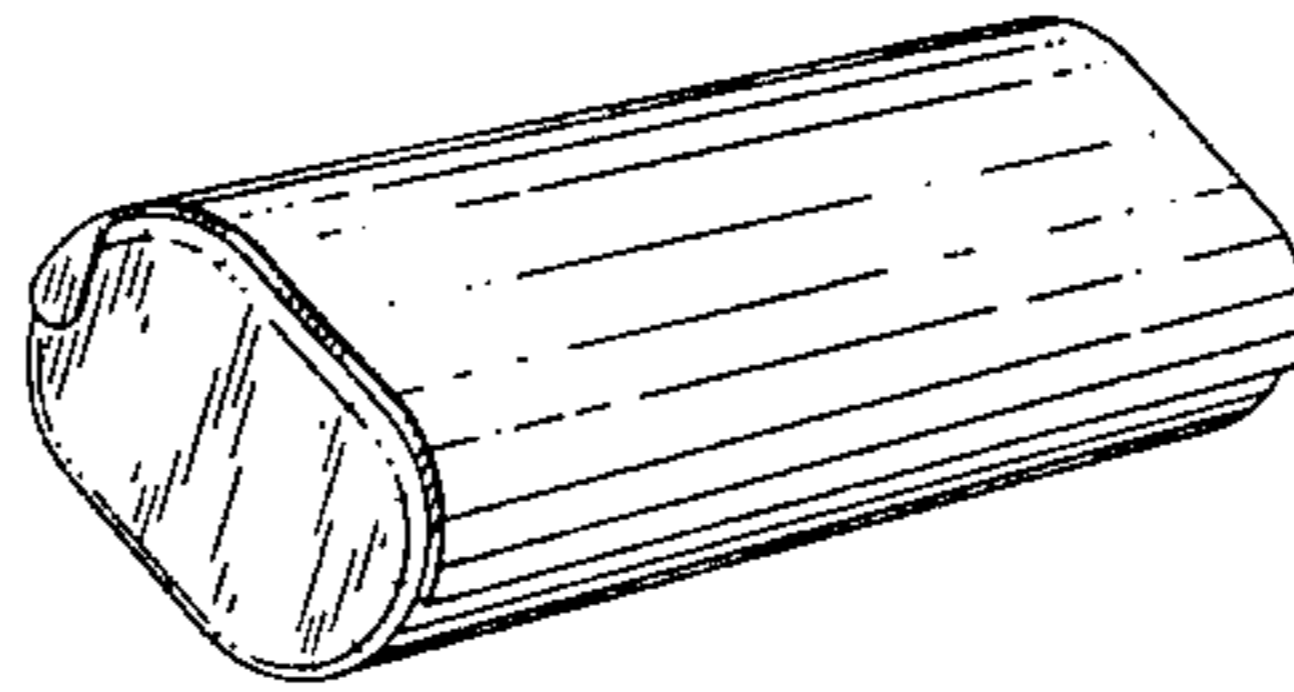
*Primary Examiner*—Louis S. Zarfes  
*Attorney, Agent, or Firm*—Beall Law Offices

[57] **CLAIM**

The ornamental design for an illuminated lipstick case, substantially as shown and described.

**DESCRIPTION**

FIG. 1 is a left front perspective view of an illuminated lipstick case showing my new design;  
FIG. 2 is a top plan view thereof;  
FIG. 3 is a front elevational view thereof;  
FIG. 4 is a plan view from underneath thereof;  
FIG. 5 is a rear elevational view thereof;  
FIG. 6 is a right side elevational view thereof;  
FIG. 7 is a left side elevational view thereof;  
FIG. 8 is a left front perspective view thereof showing the illuminated lipstick case in an open position.



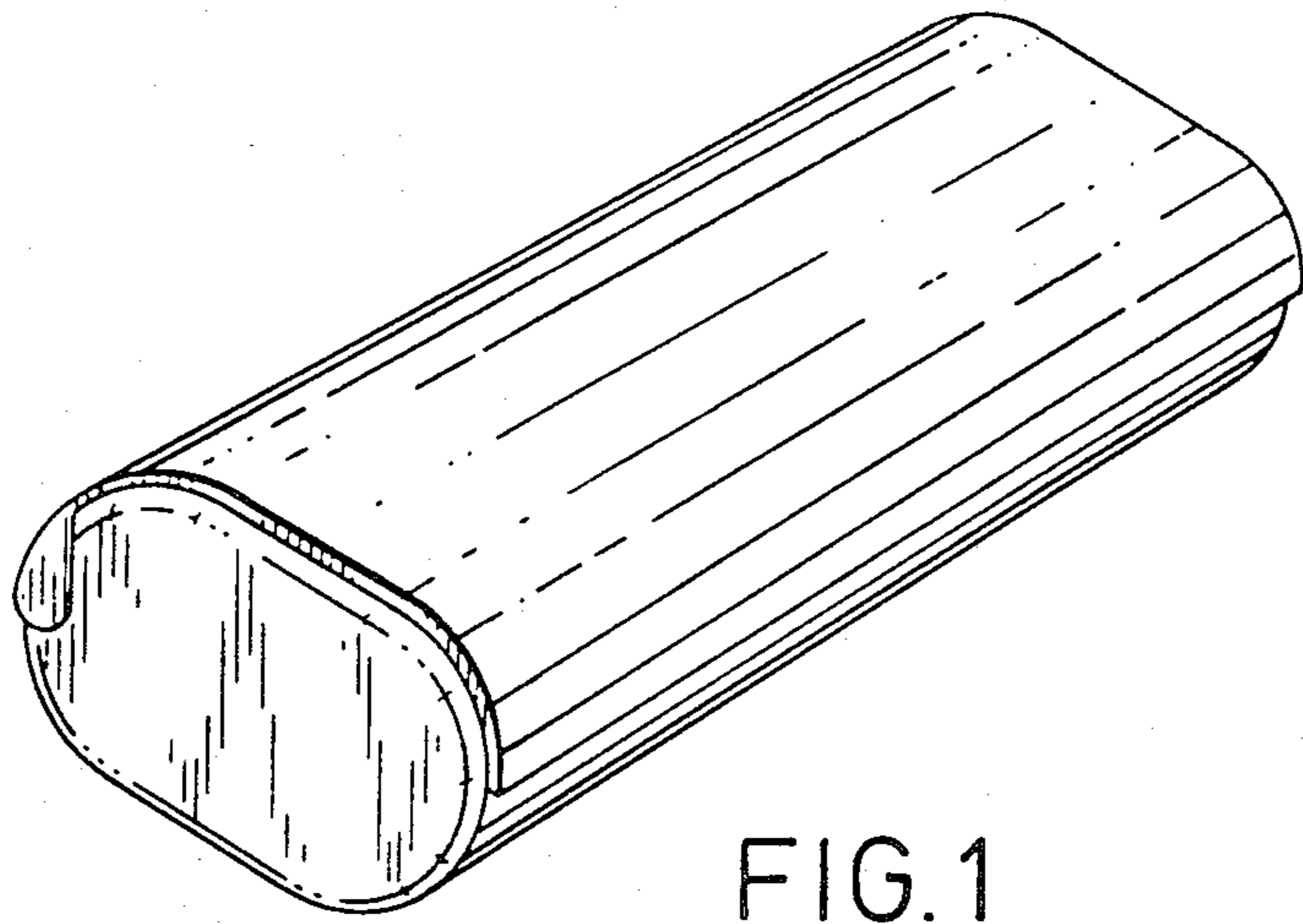


FIG. 1

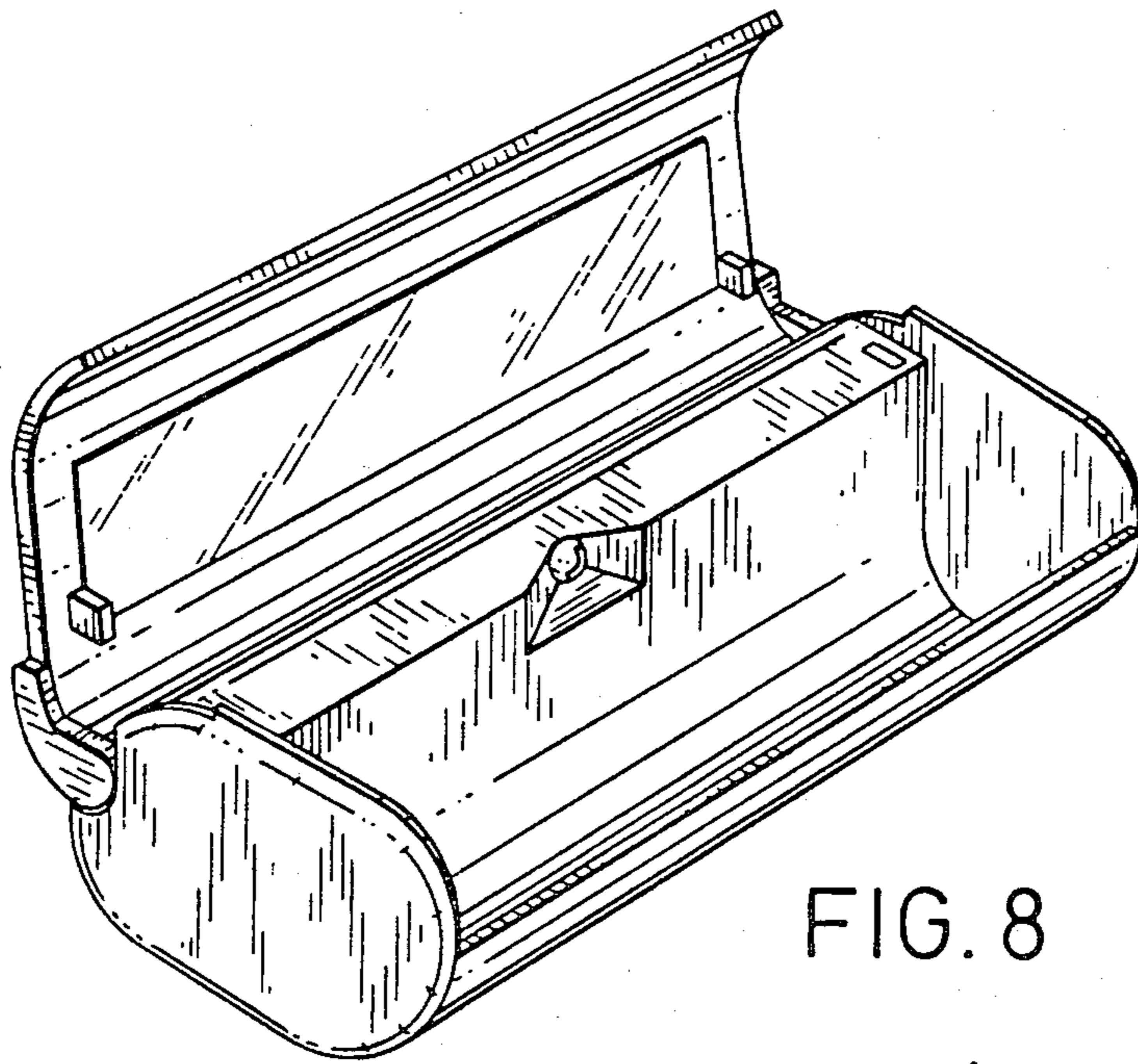


FIG. 8

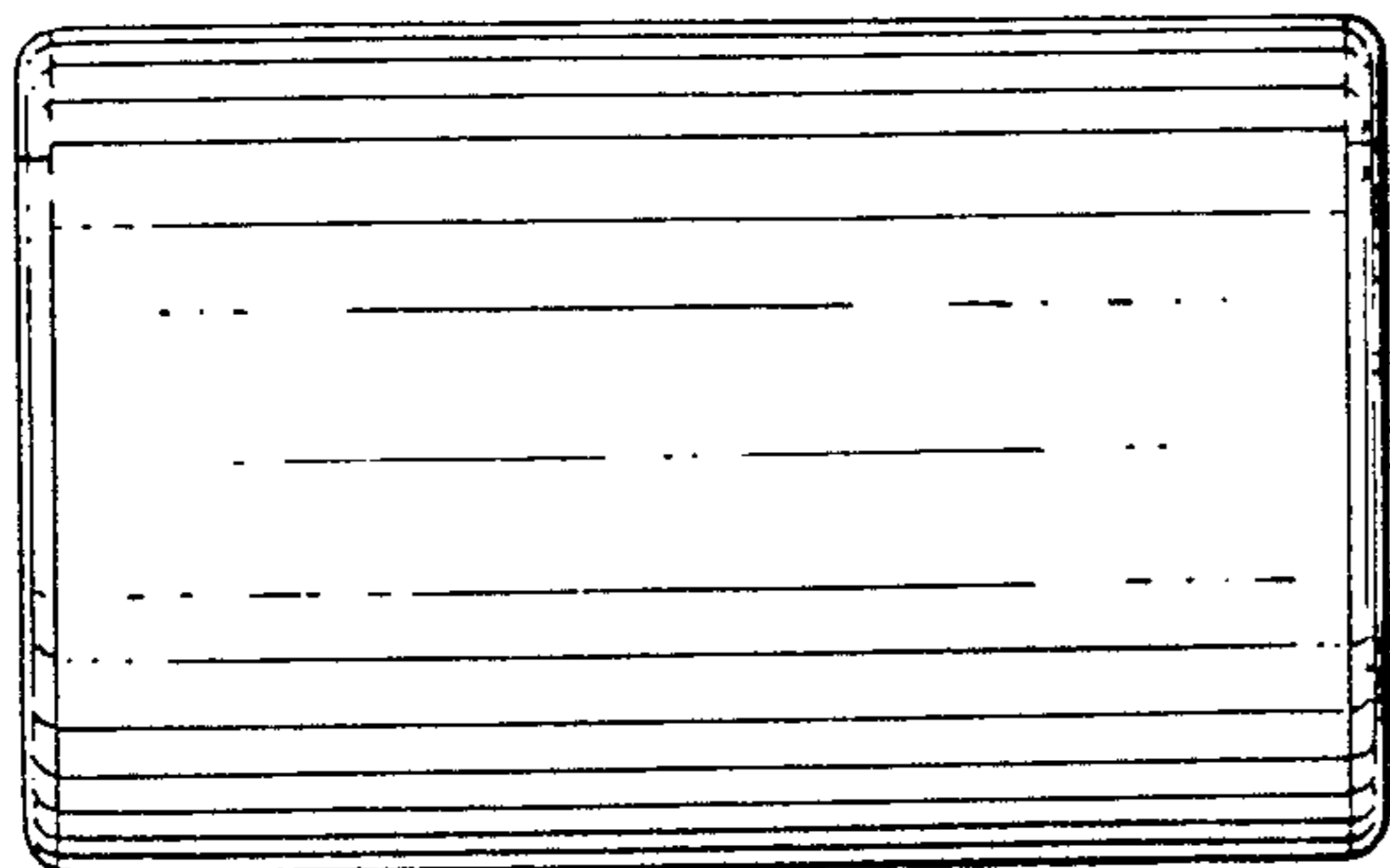


FIG. 2

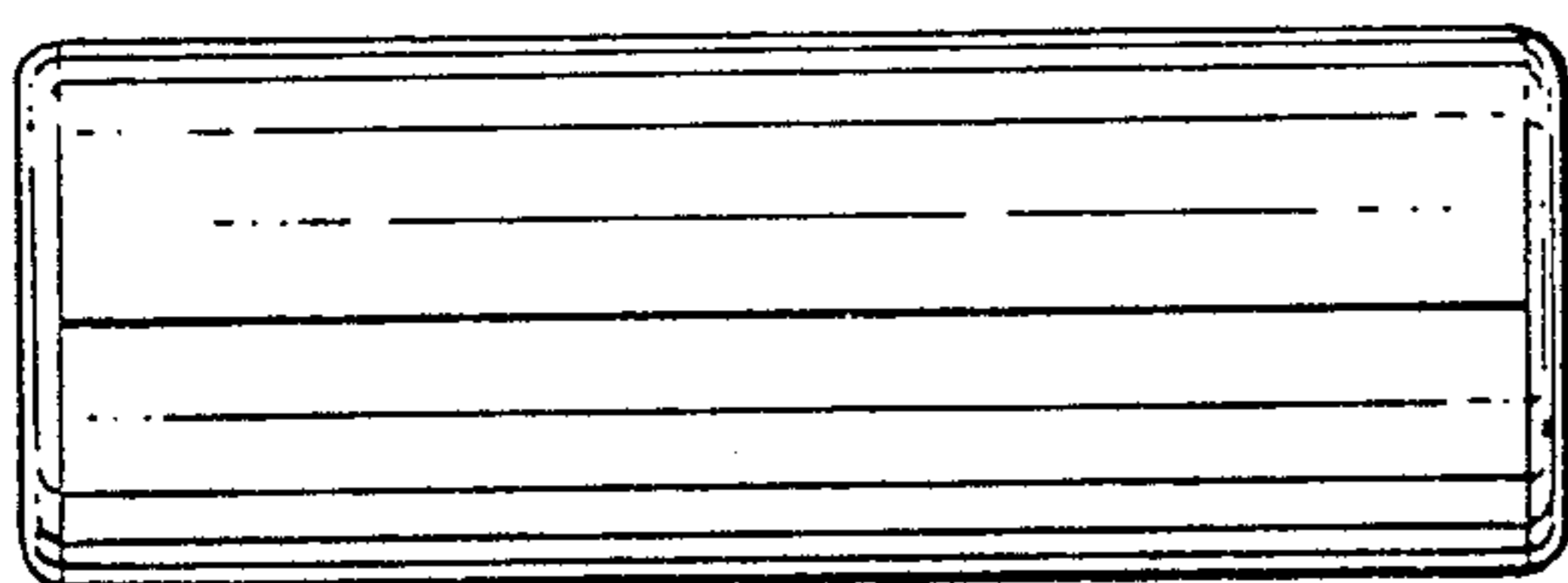


FIG. 3

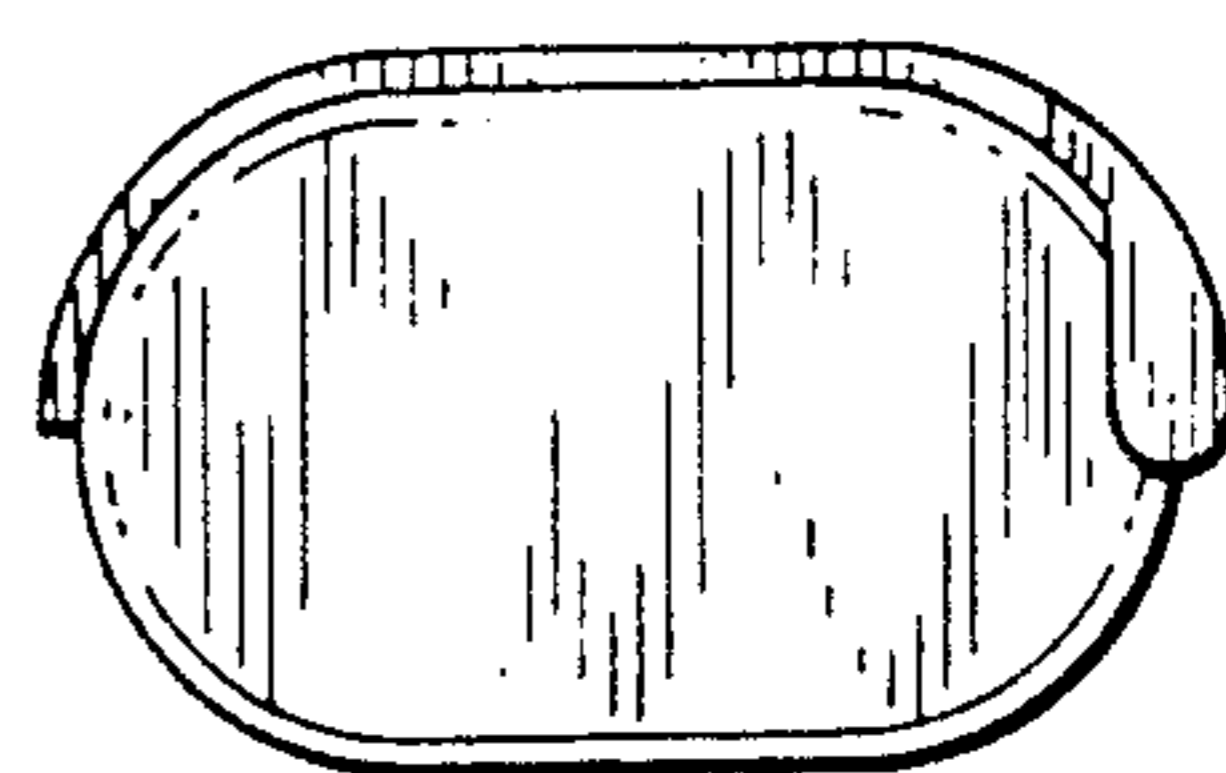


FIG. 6

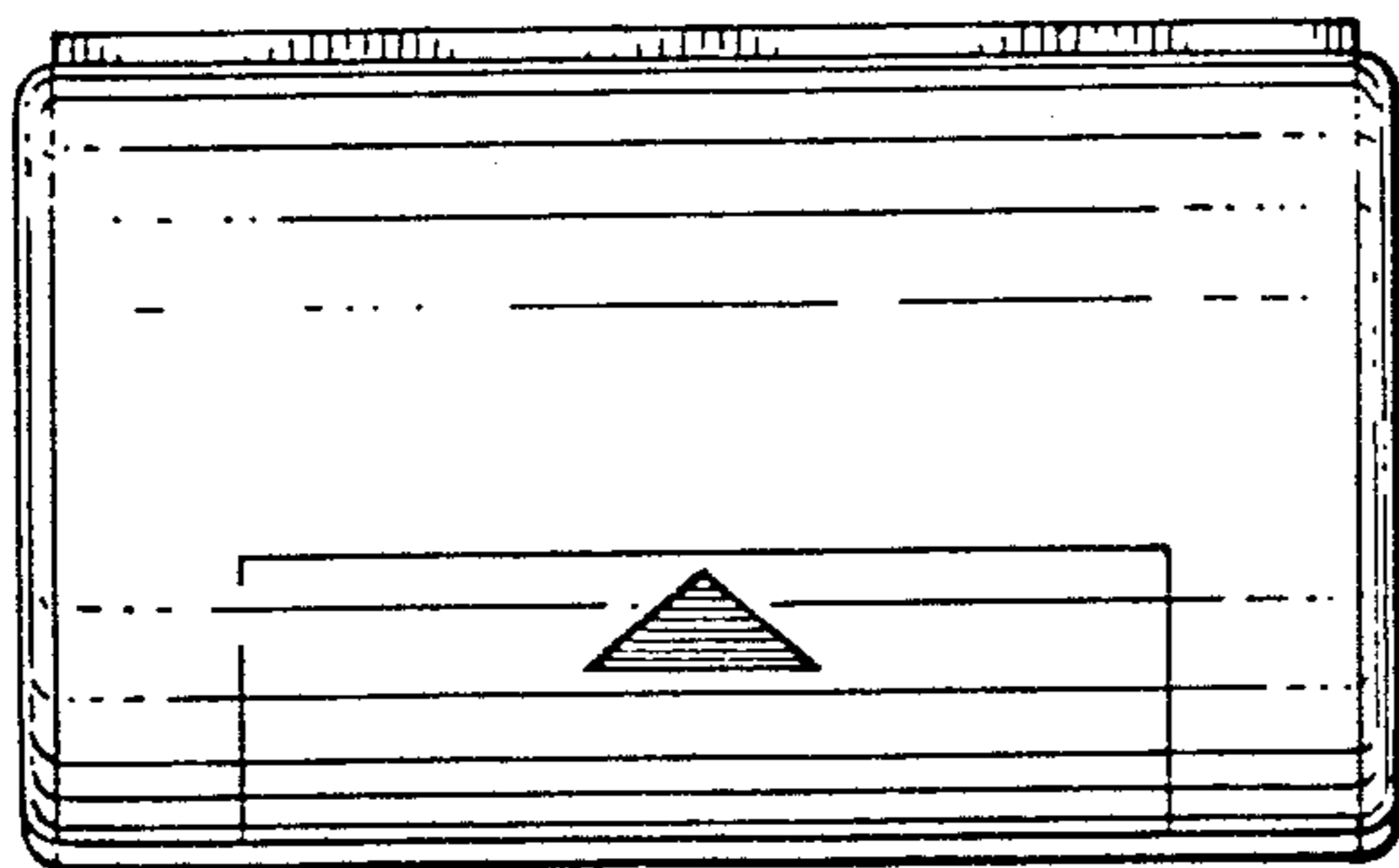


FIG. 4

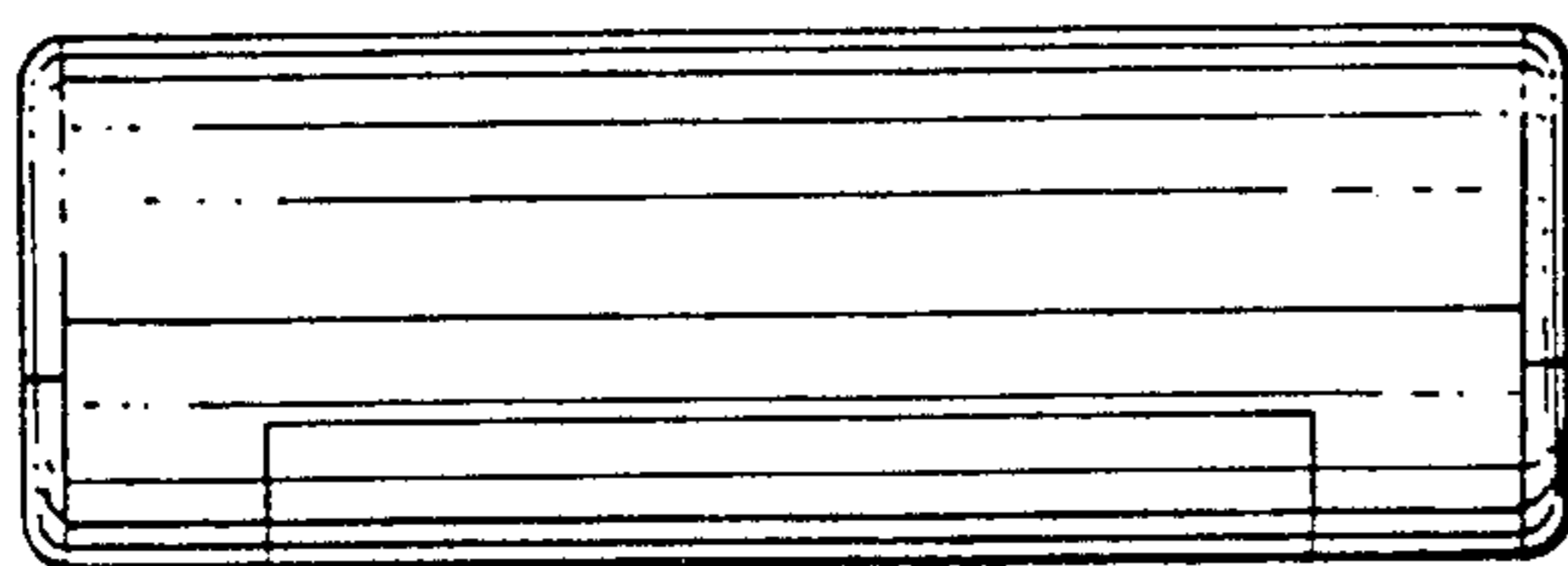


FIG. 5

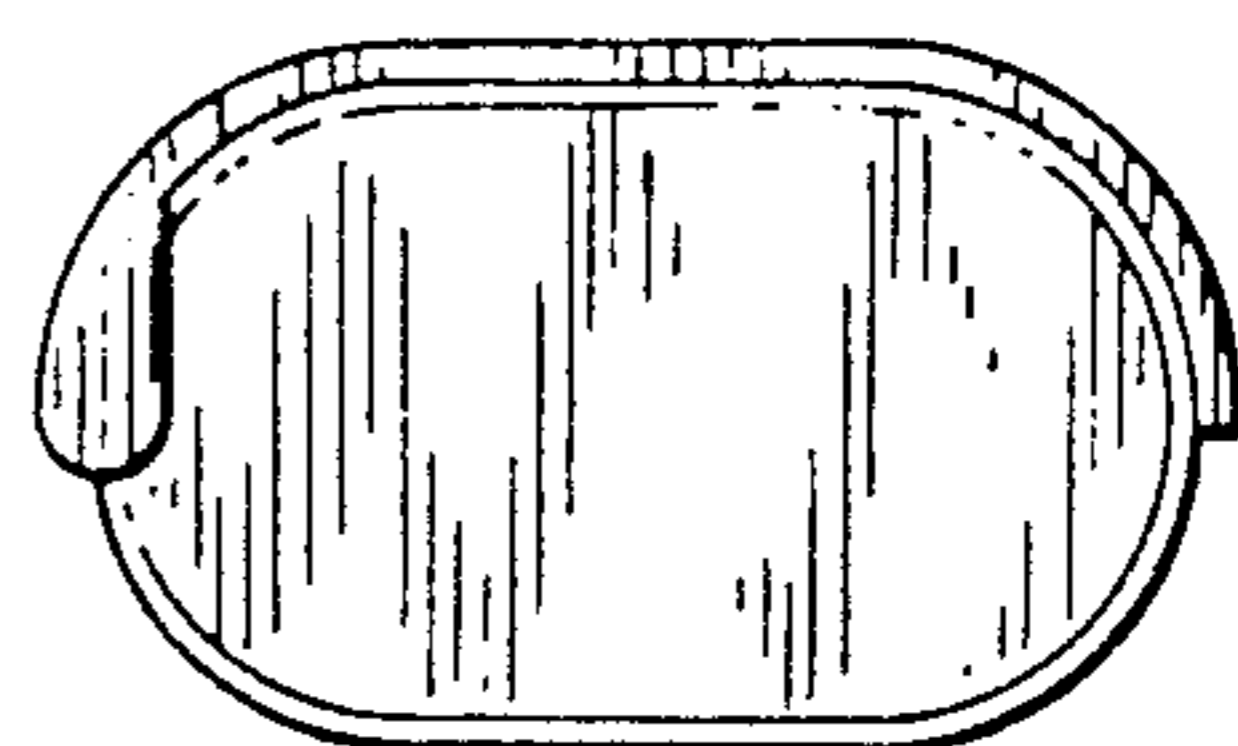


FIG. 7