

[54] LAMP

[75] Inventor: Jessen C. Krogsrud, Oslo, Norway

[73] Assignee: Jac Jacobsen A/S, Oslo, Norway

[**] Term: 14 Years

[21] Appl. No.: 574,290

[22] Filed: Jan. 26, 1984

[52] U.S. Cl. D26/65

[58] Field of Search 362/269, 275, 277, 285, 362/296, 401, 402, 418, 427; D26/24, 60-66

[56] References Cited

U.S. PATENT DOCUMENTS

- D. 90,858 10/1933 Rowe .
- D. 161,830 2/1951 Grossman .
- D. 229,231 11/1973 Beeren .
- D. 249,292 9/1978 Ishikawa et al. .
- D. 259,738 6/1981 Boschetti .
- D. 266,603 10/1982 Suzuki .
- D. 267,516 1/1983 Rambusch et al. .
- D. 272,003 12/1983 Jankowski D26/63
- 4,380,790 4/1983 Saferstein et al. D26/65

Primary Examiner—Susan J. Lucas
Attorney, Agent, or Firm—Pasquale A. Razzano

[57] CLAIM

The ornamental design for a lamp, as shown and described.

DESCRIPTION

FIG. 1 is a top, side perspective view of a lamp showing my new design, a mounting arm being shown in broken lines for illustrative purposes only;

FIG. 2 is a front elevational view thereof on a reduced scale, a mounting arm being shown in broken lines for illustrative purposes only;

FIG. 3 is a top plan view thereof on an enlarged scale;

FIG. 4 is a side elevational view thereof on an enlarged scale;

FIG. 5 is a front elevational view thereof on an enlarged scale;

FIG. 6 is a rear elevational view thereof on an enlarged scale;

FIG. 7 is a bottom plan view thereof on an enlarged scale;

FIG. 8 is a bottom perspective view thereof on a reduced scale.

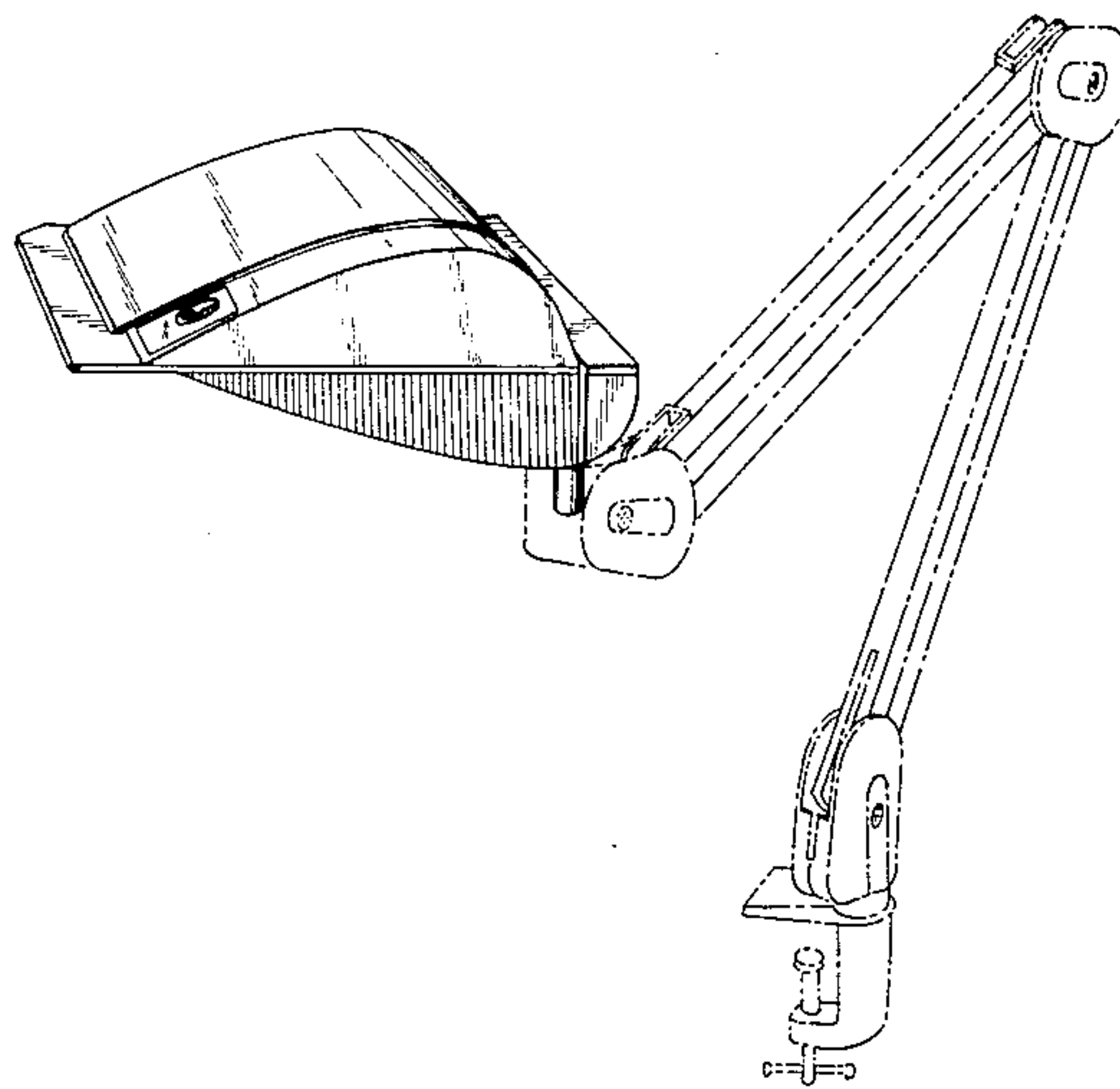


FIG. 1

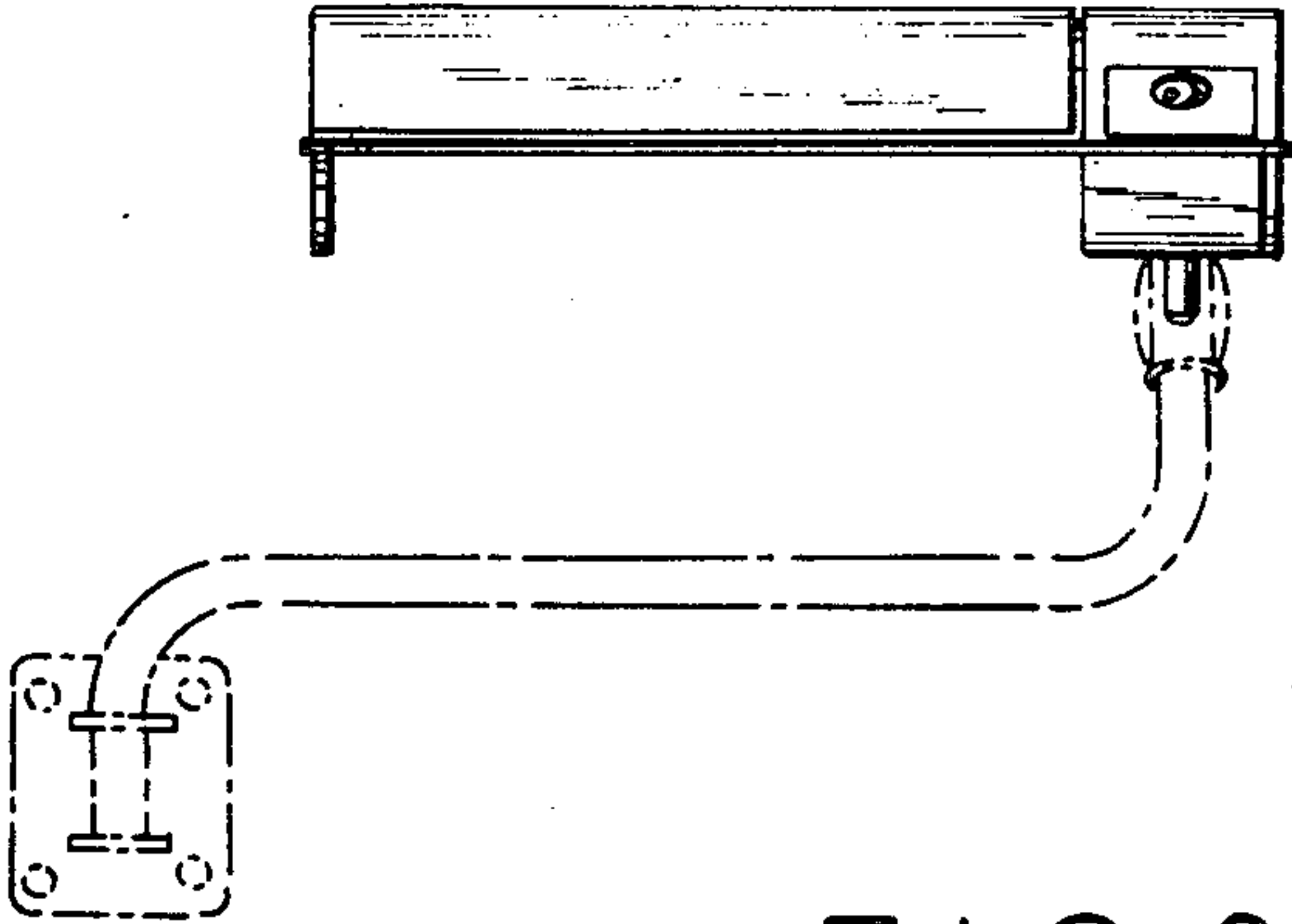
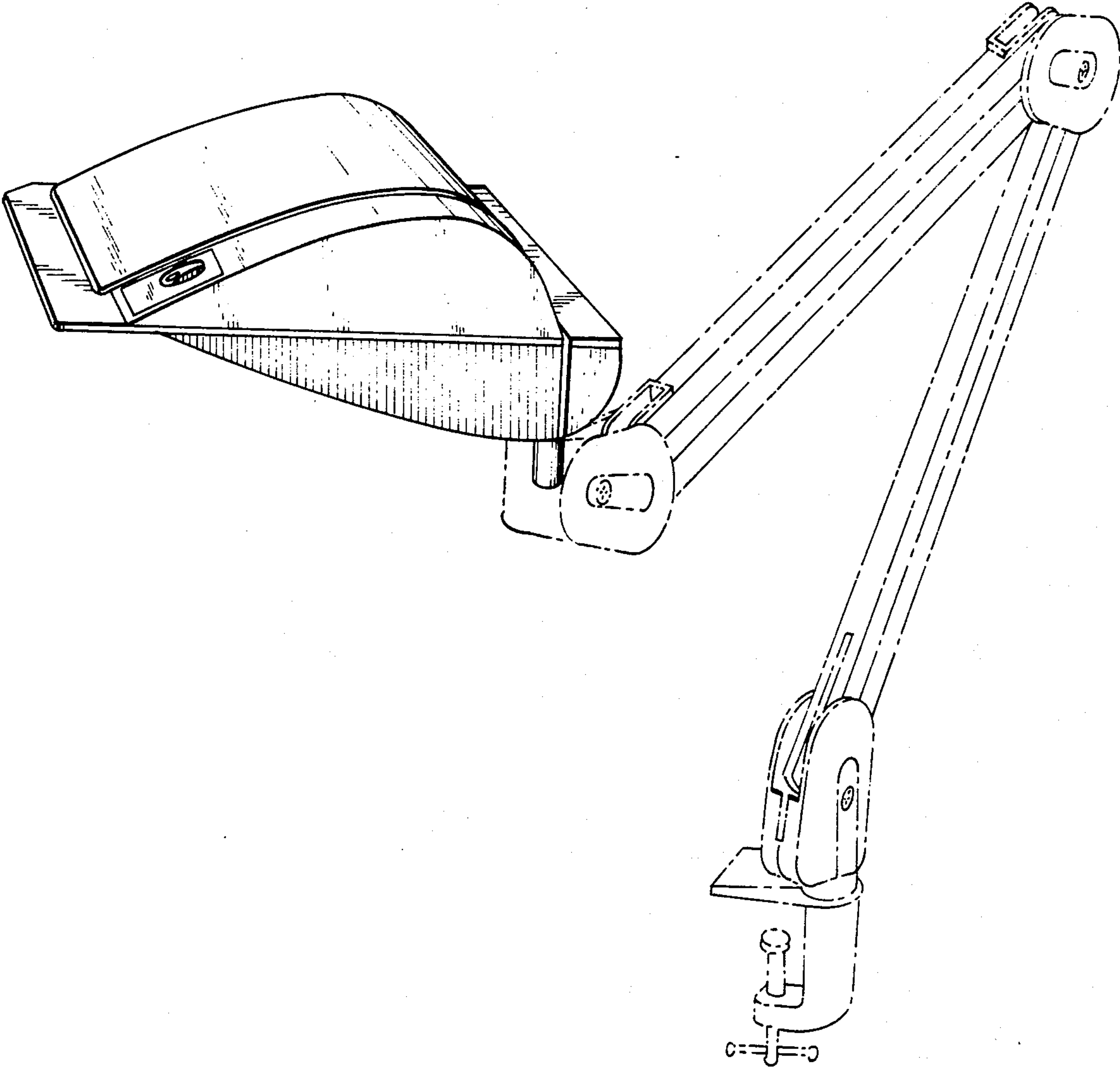


FIG. 2

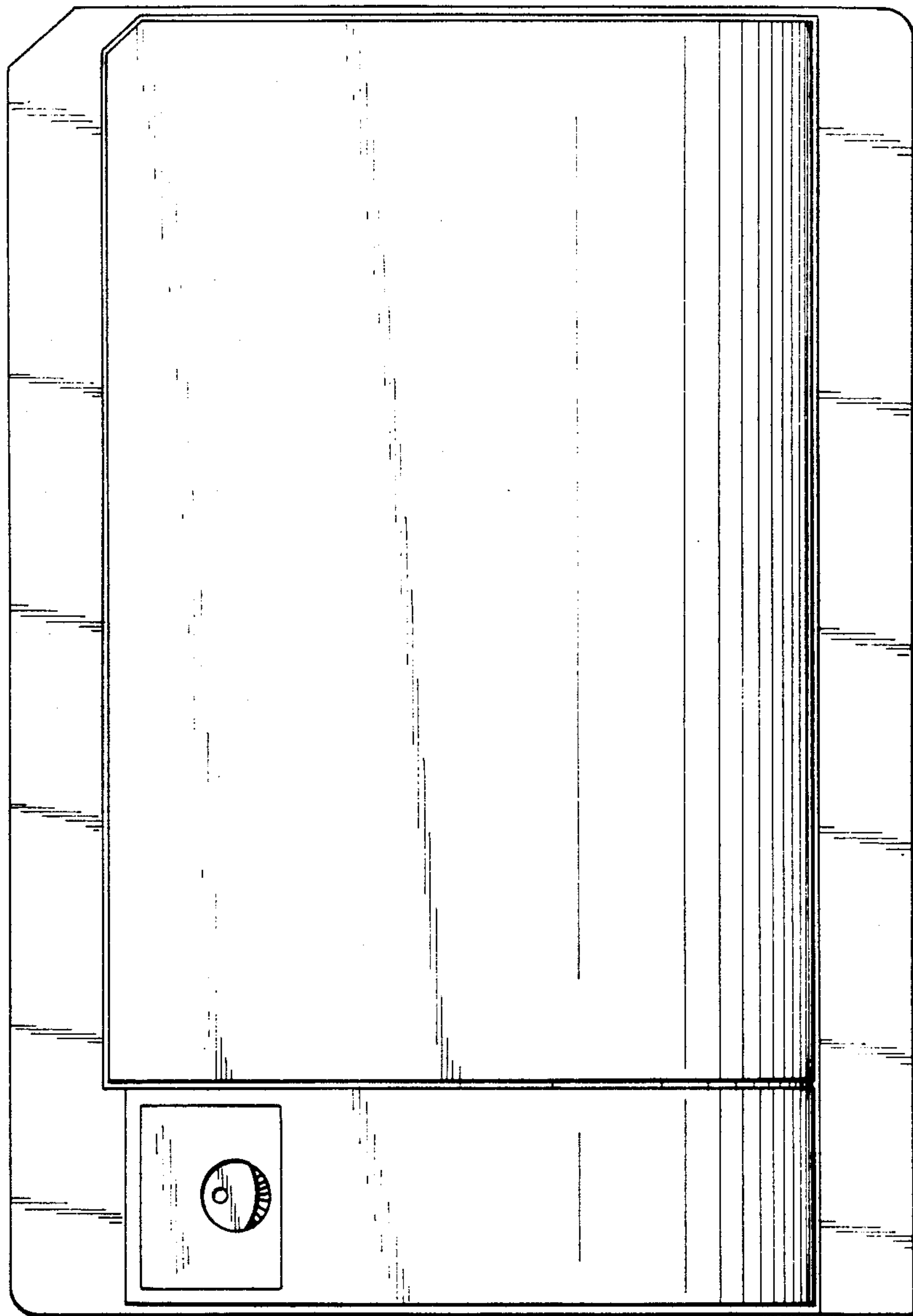


FIG. 3

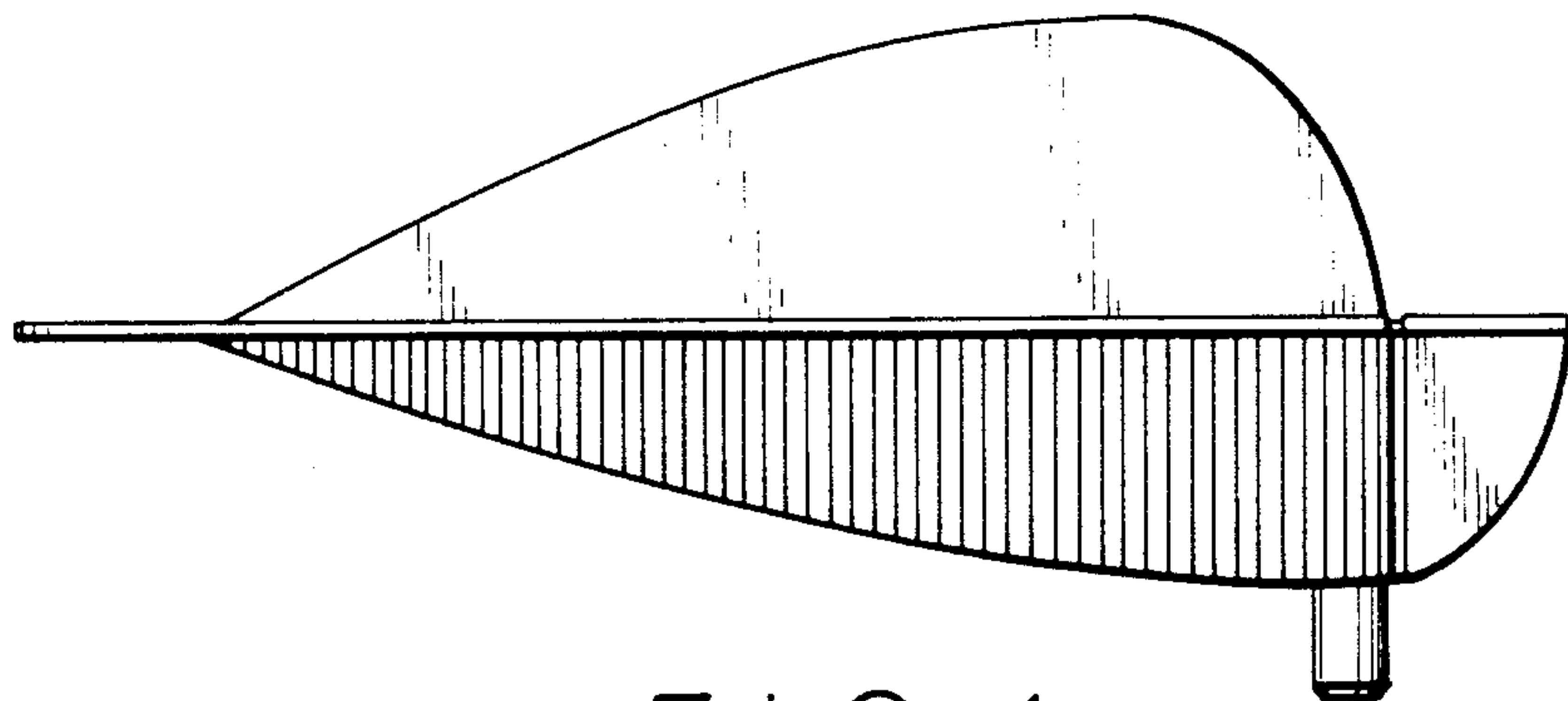


FIG. 4

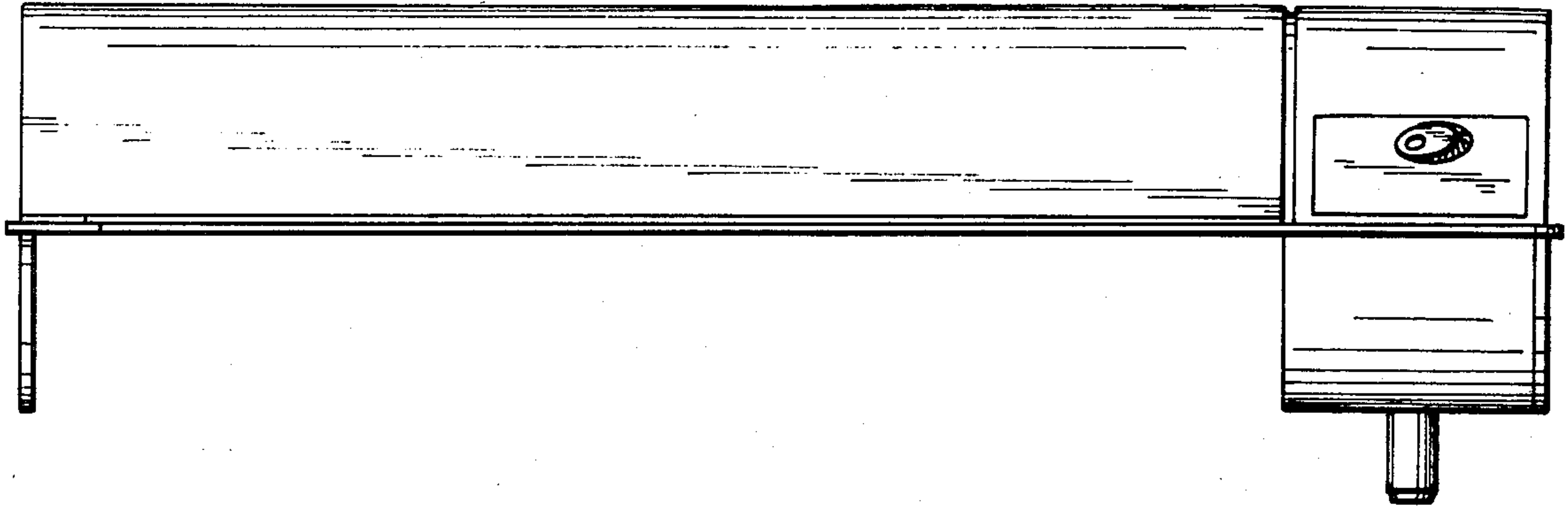


FIG. 5

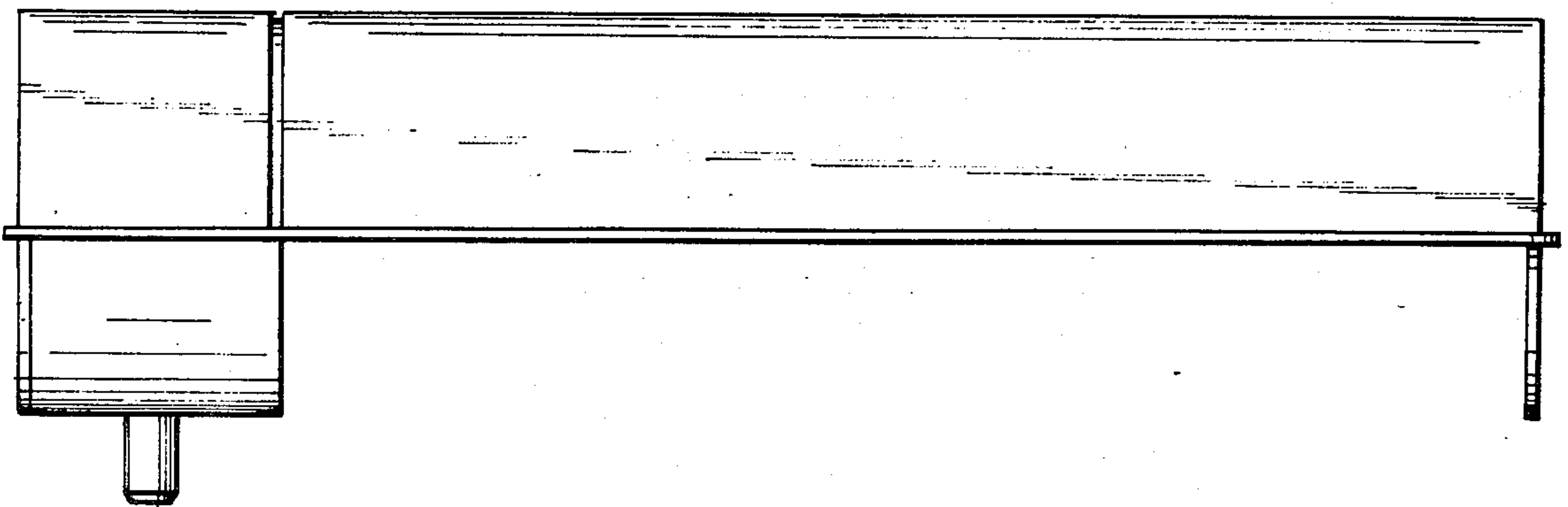


FIG. 6

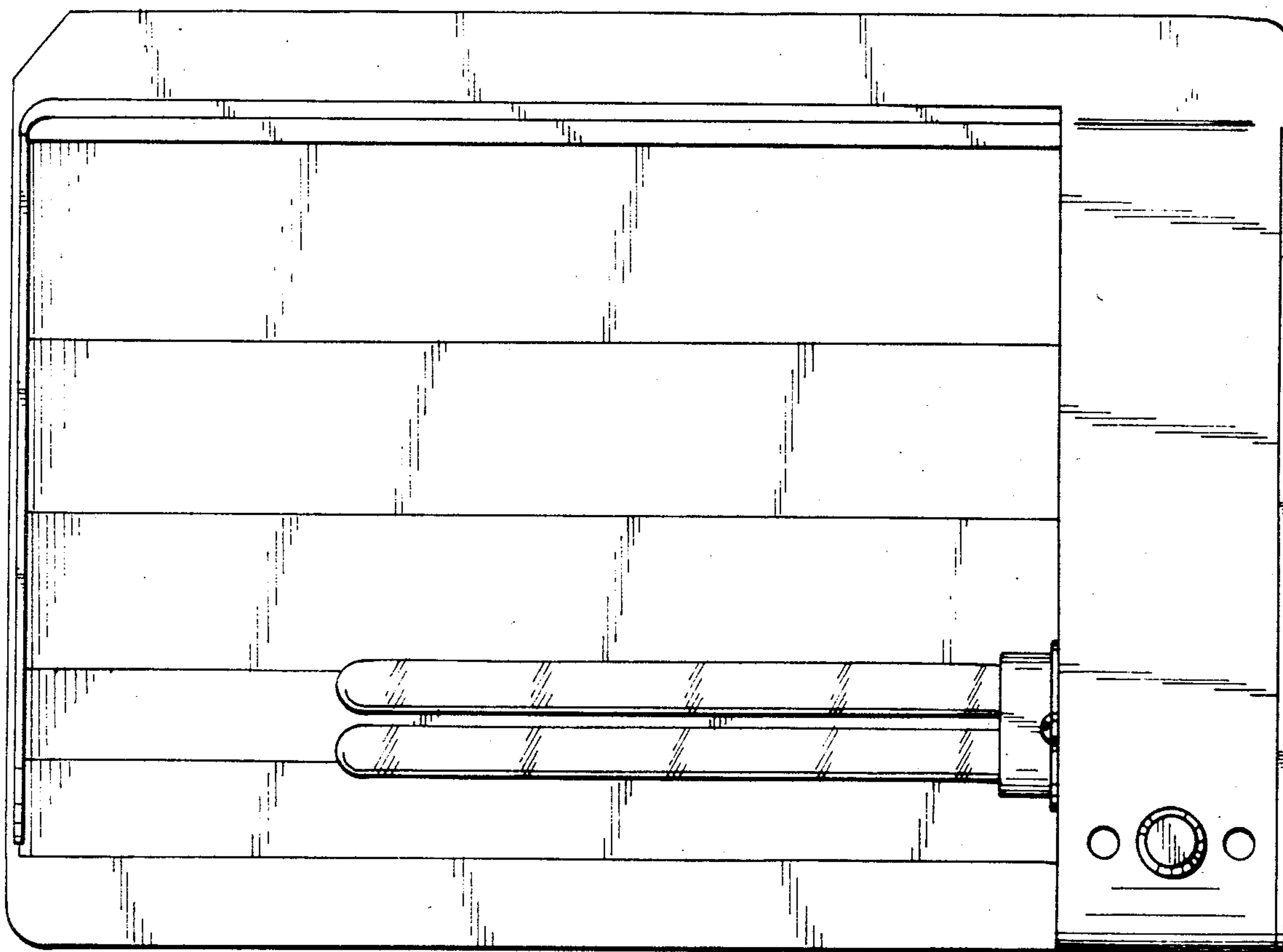


FIG. 7

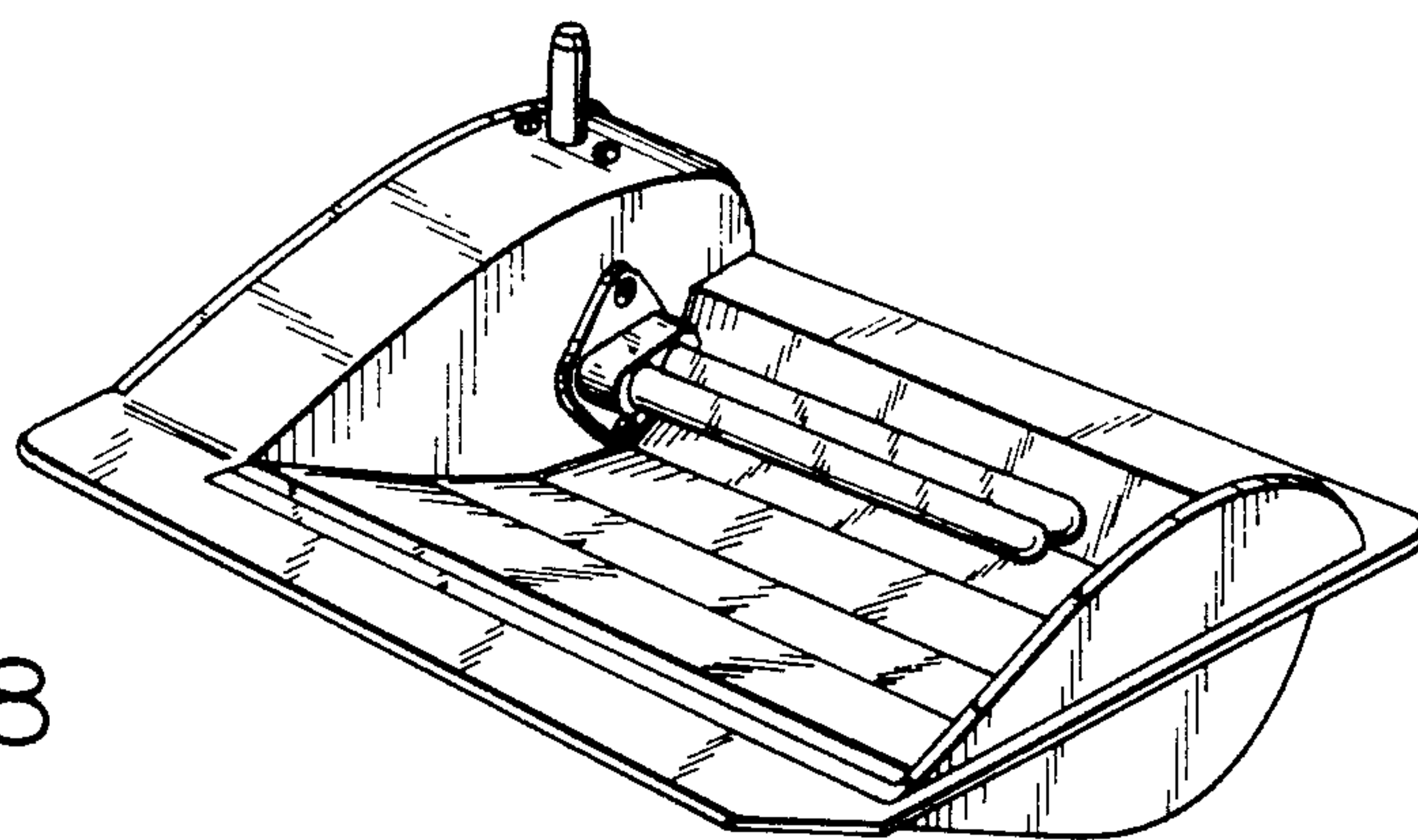


FIG. 8