

[54] SAMPLE CUP

[75] Inventor: **Tung-Ming Huang**, Elk Grove Village, Ill.
 [73] Assignee: **Abbott Laboratories**, North Chicago, Ill.
 [**] Term: **14 Years**
 [21] Appl. No.: **459,158**
 [22] Filed: **Jan. 19, 1983**
 [52] U.S. Cl. **D24/56**
 [58] Field of Search **D24/29, 17, 31, 51; 206/363, 364, 366, 370, 562, 563, 564; 422/61, 58, 102**

[56] **References Cited**

U.S. PATENT DOCUMENTS

D. 249,708 9/1978 Smith et al. D24/56
 D. 258,144 2/1981 Kallet et al. D24/99 X
 D. 273,807 5/1984 Holen D24/56

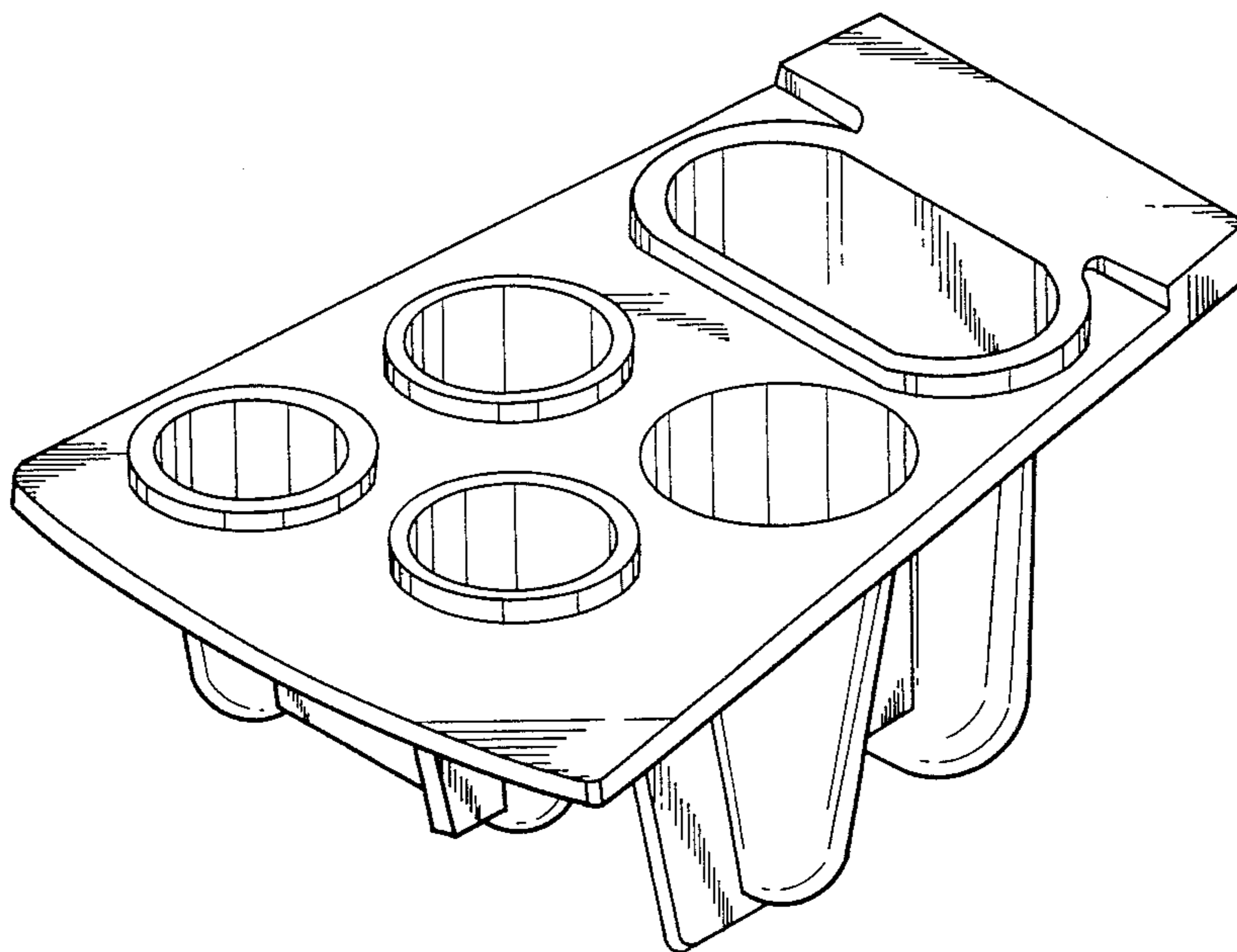
Primary Examiner—A. Hugo Word
Assistant Examiner—Stella Reid
Attorney, Agent, or Firm—James L. Wilcox; Martin L. Katz

[57] **CLAIM**

The ornamental design of a sample cup or the like, substantially as shown and described.

DESCRIPTION

FIG. 1 is a perspective view from the top front of my new design for a sample cup;
 FIG. 2 is a top plan view of the sample cup shown in FIG. 1;
 FIG. 3 is a right side elevational view of the sample cup shown in FIG. 1;
 FIG. 4 is a bottom plan view of the sample cup shown in FIG. 1;
 FIG. 5 is a rear elevational view of the sample cup shown in FIG. 1;
 FIG. 6 is a front elevational view of the sample cup shown in FIG. 1;
 FIG. 7 is a left side elevational view of the sample cup shown in FIG. 1;
 FIG. 8 is a perspective view from the top front of another embodiment of my new design for a sample cup.
 FIG. 9 is a top plan view of the sample cup shown in FIG. 8;
 FIG. 10 is a right side elevational view of the sample cup shown in FIG. 8;
 FIG. 11 is a bottom plan view of the sample cup shown in FIG. 8;
 FIG. 12 is a rear elevational view of the sample cup shown in FIG. 8;
 FIG. 13 is a front elevational view of the sample cup shown in FIG. 8; and
 FIG. 14 is a left side elevational view of the sample cup shown in FIG. 8.



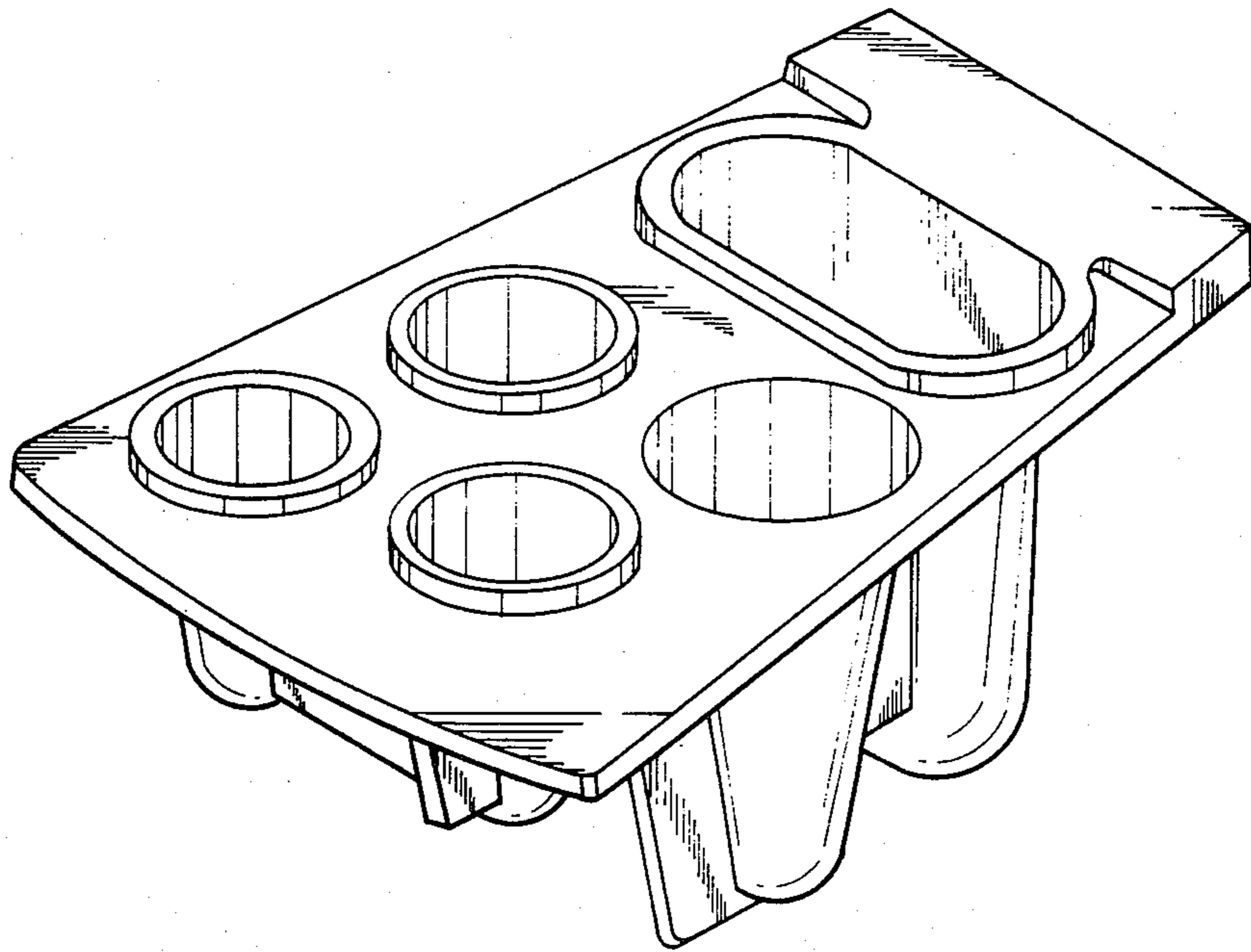


FIG. 1

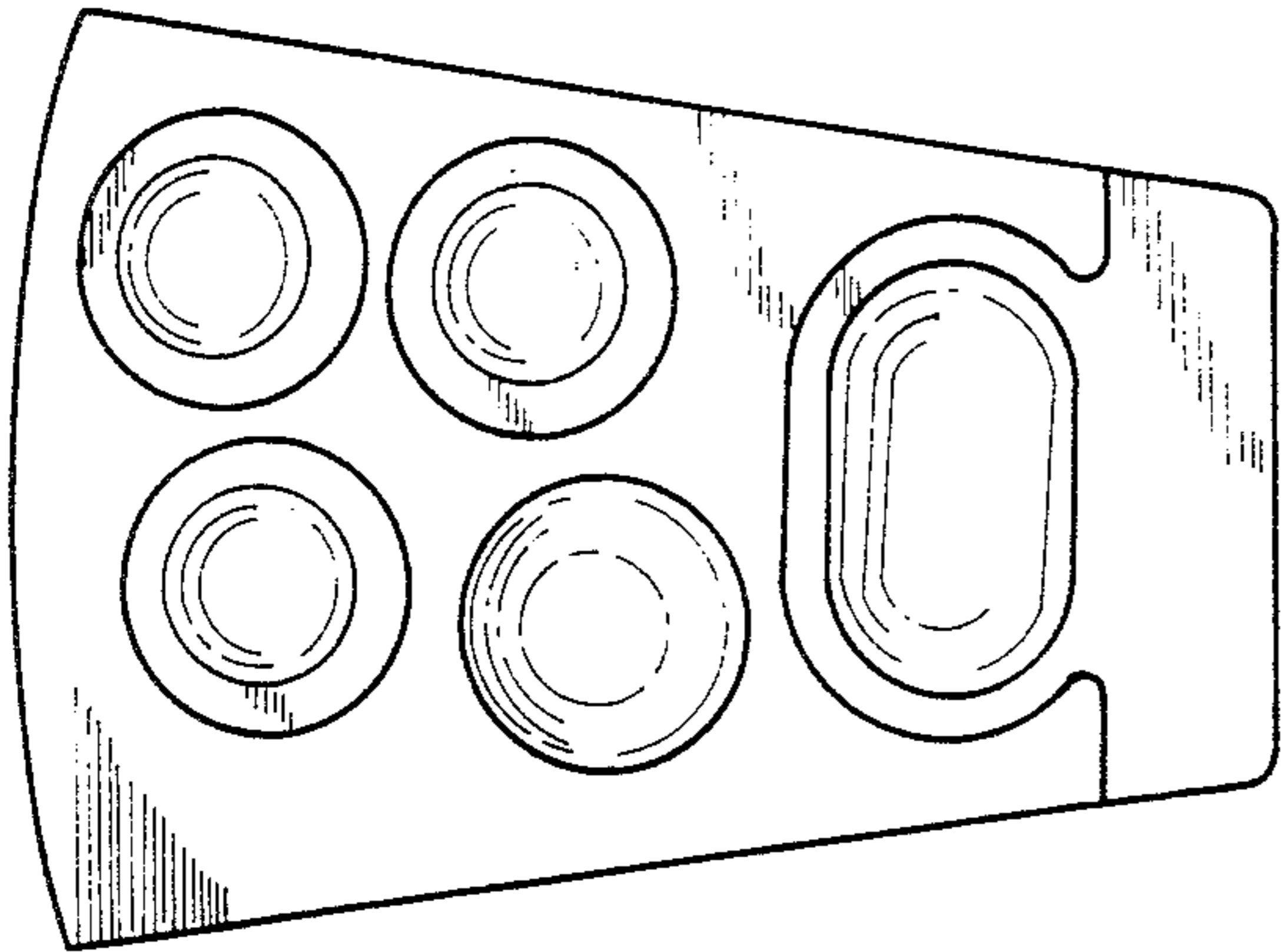


FIG. 2

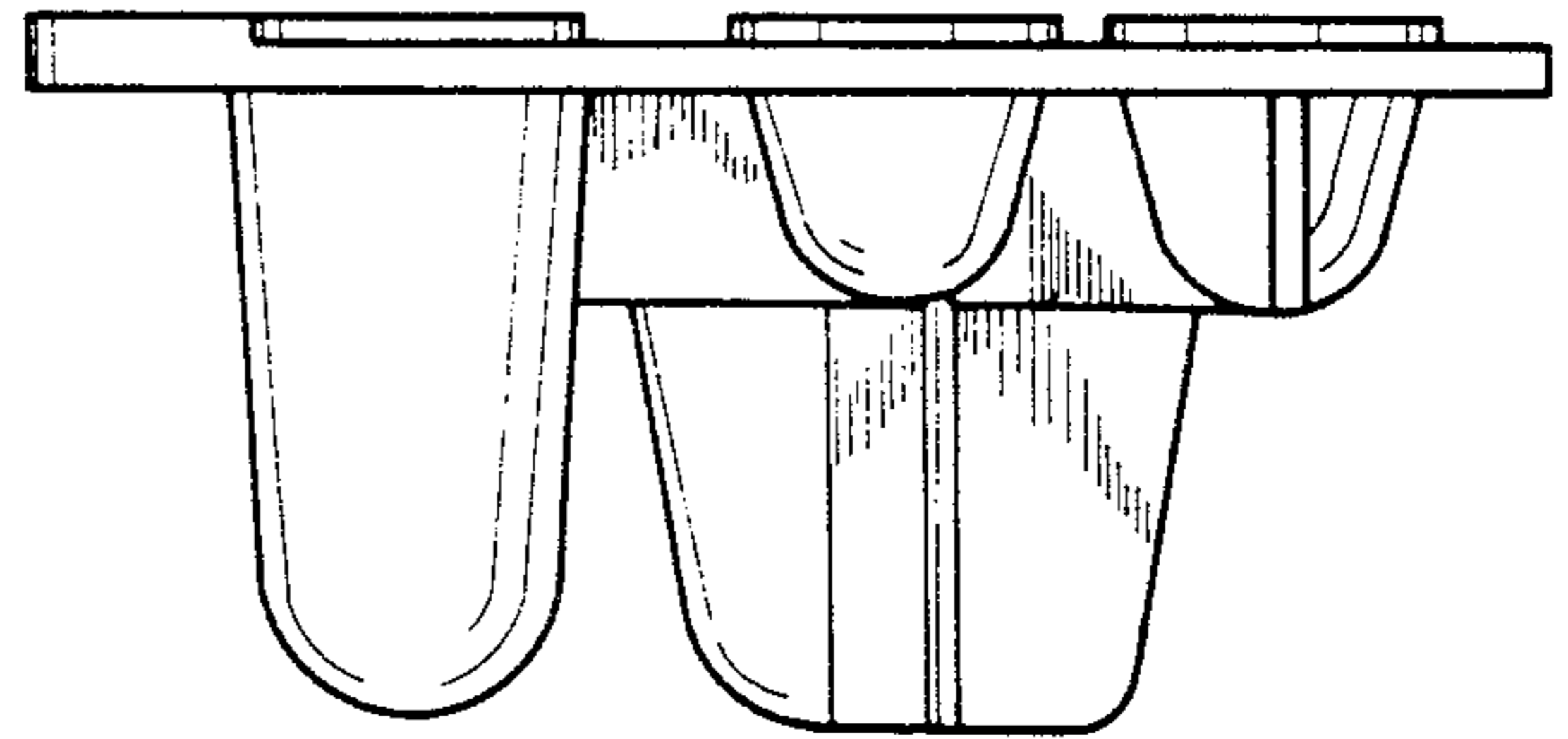


FIG. 7

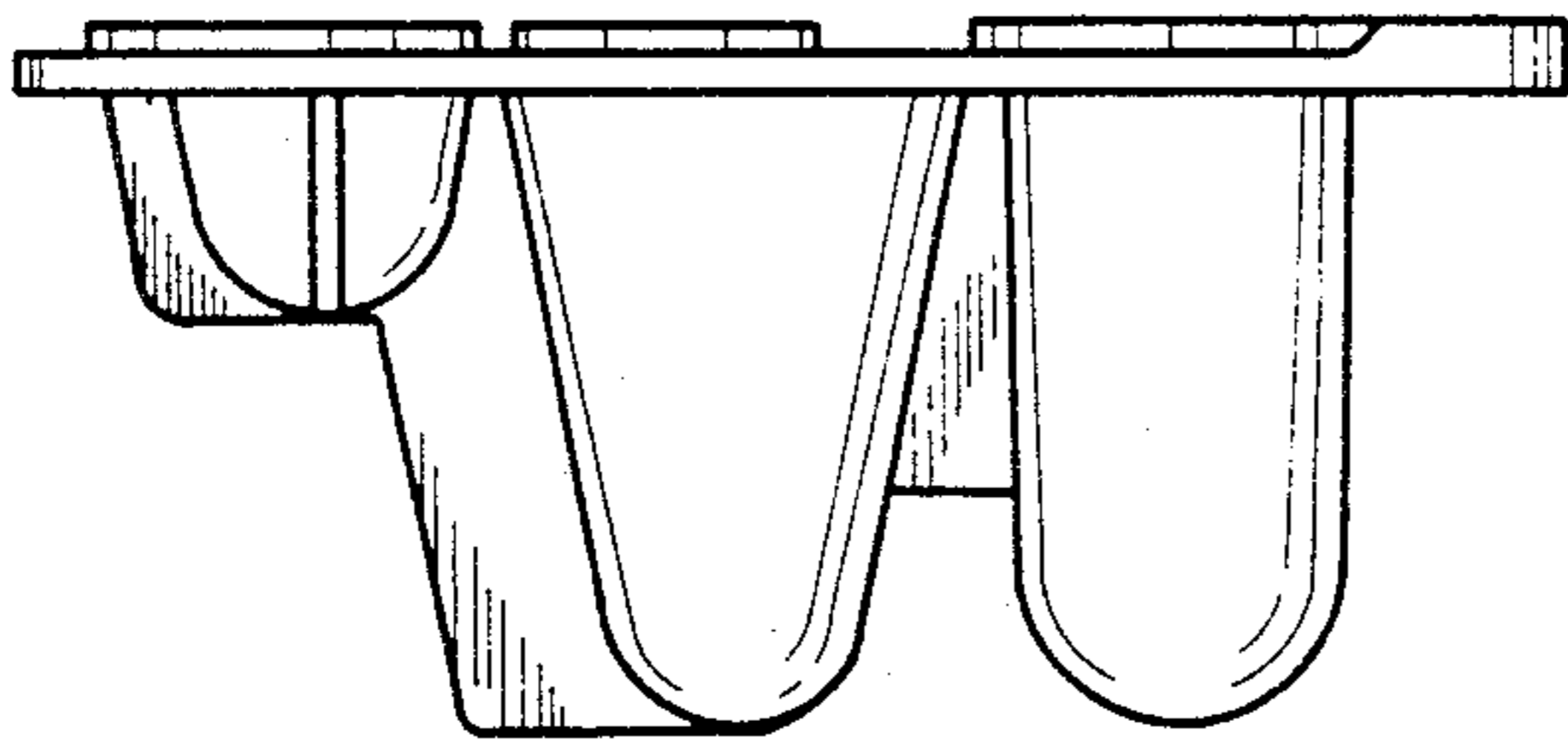


FIG. 3

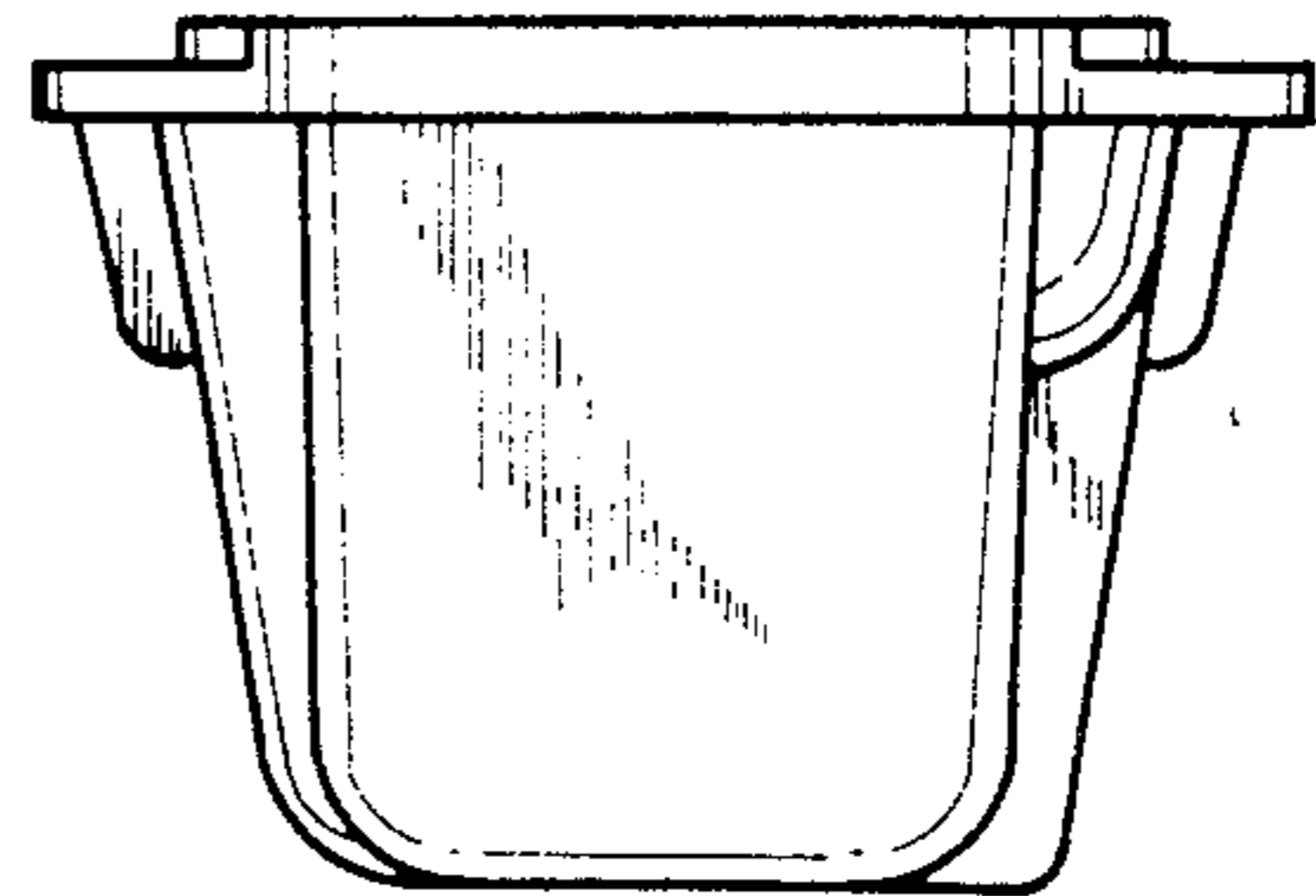


FIG. 6

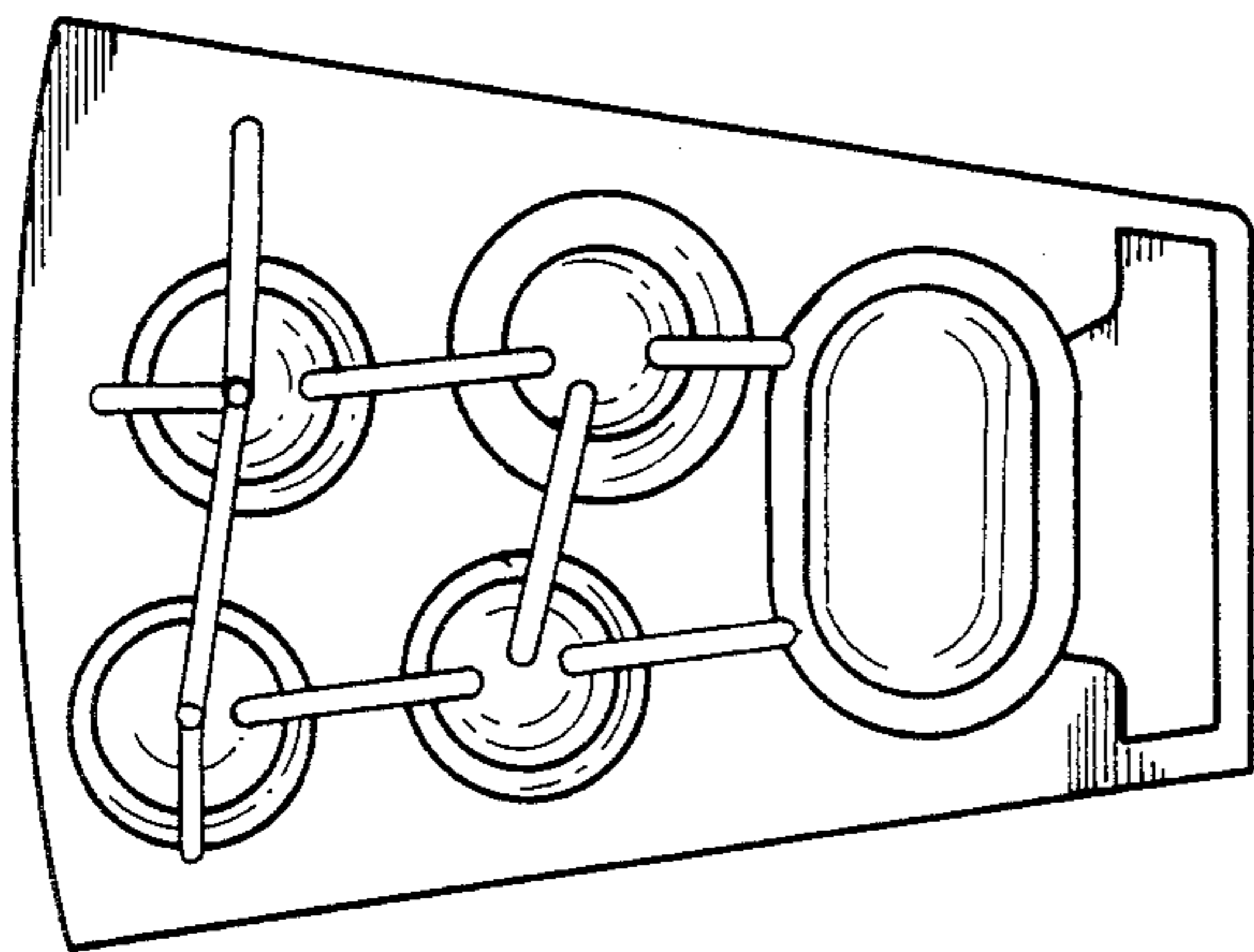


FIG. 4

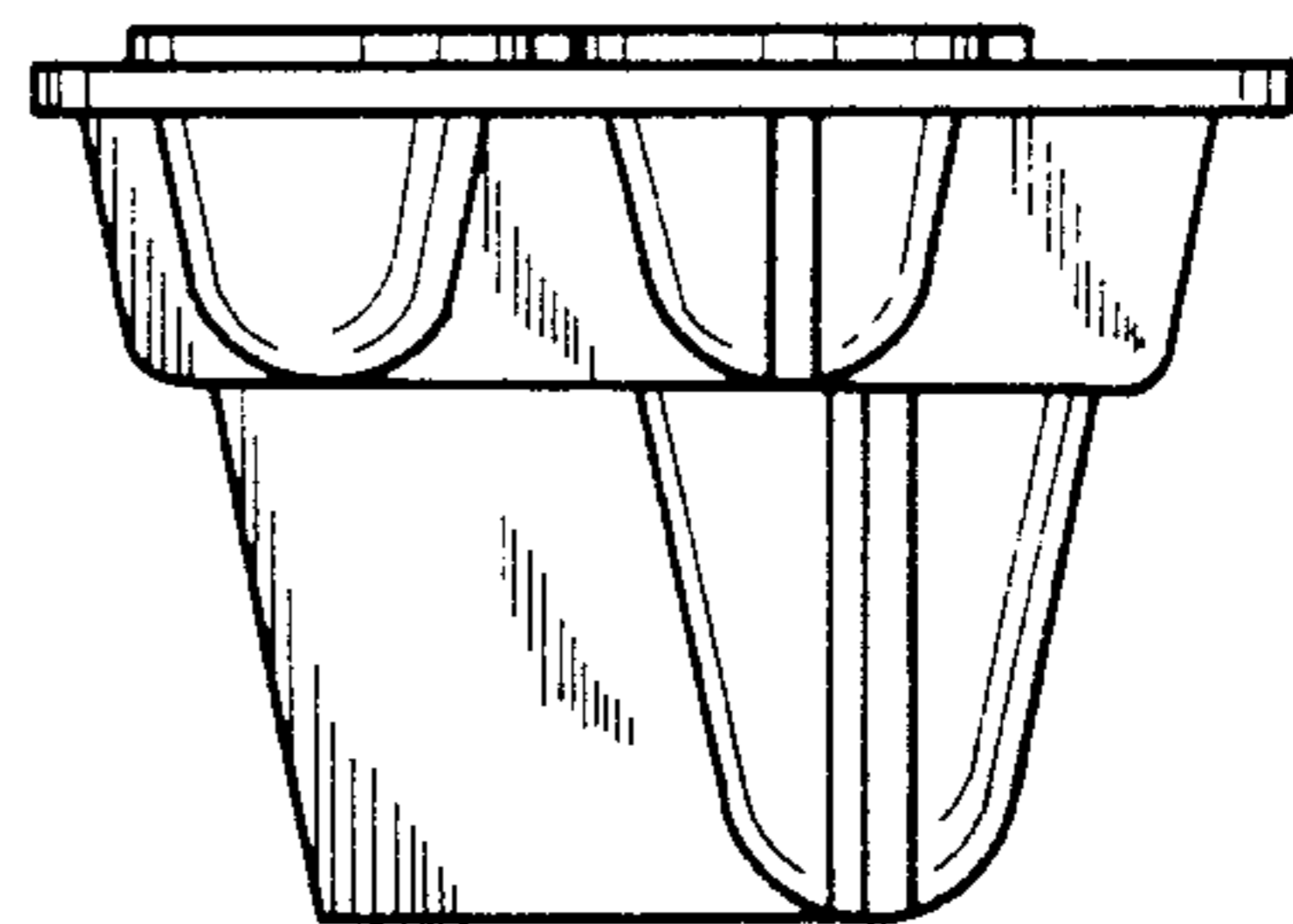


FIG. 5

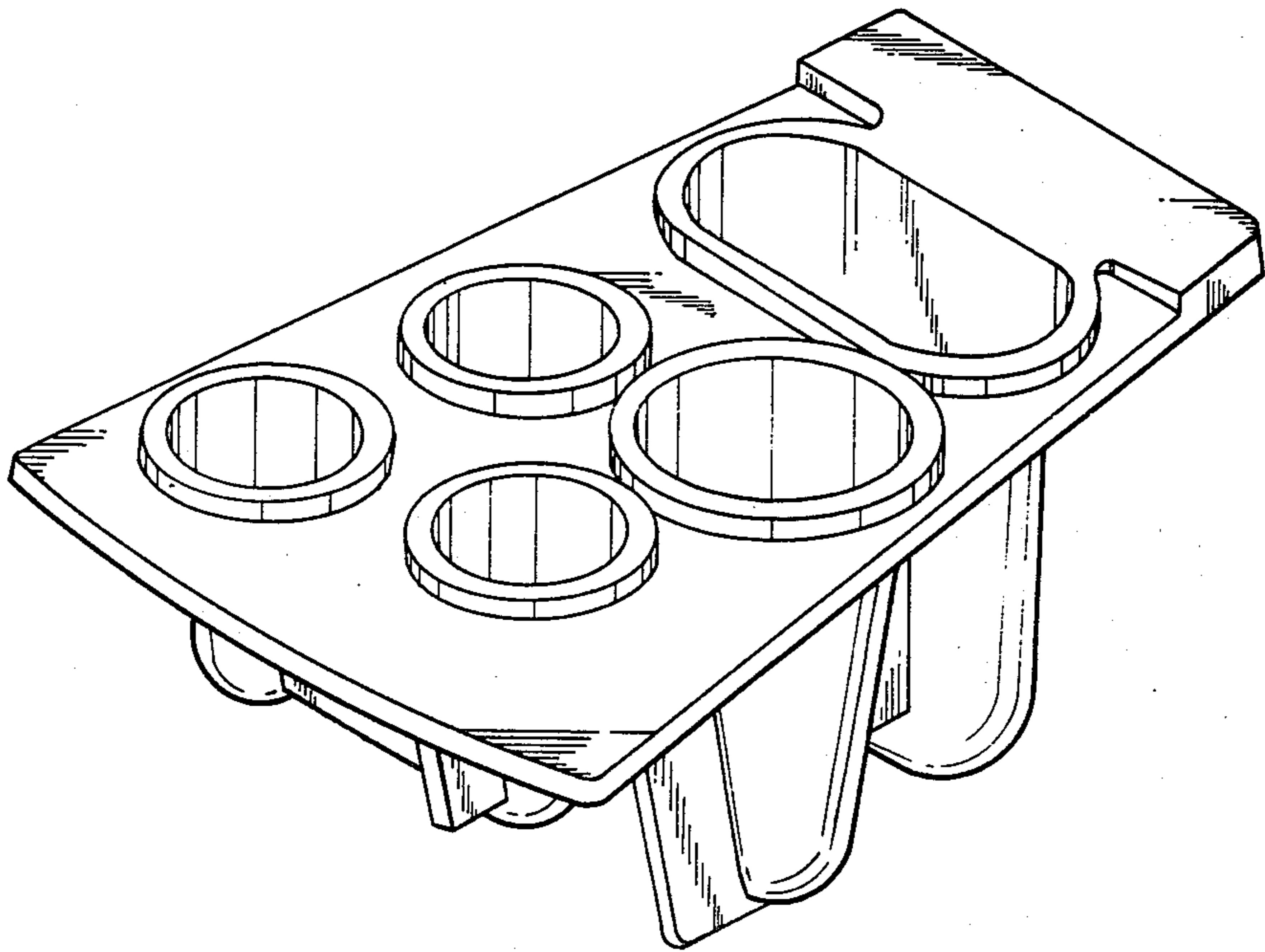


FIG. 8

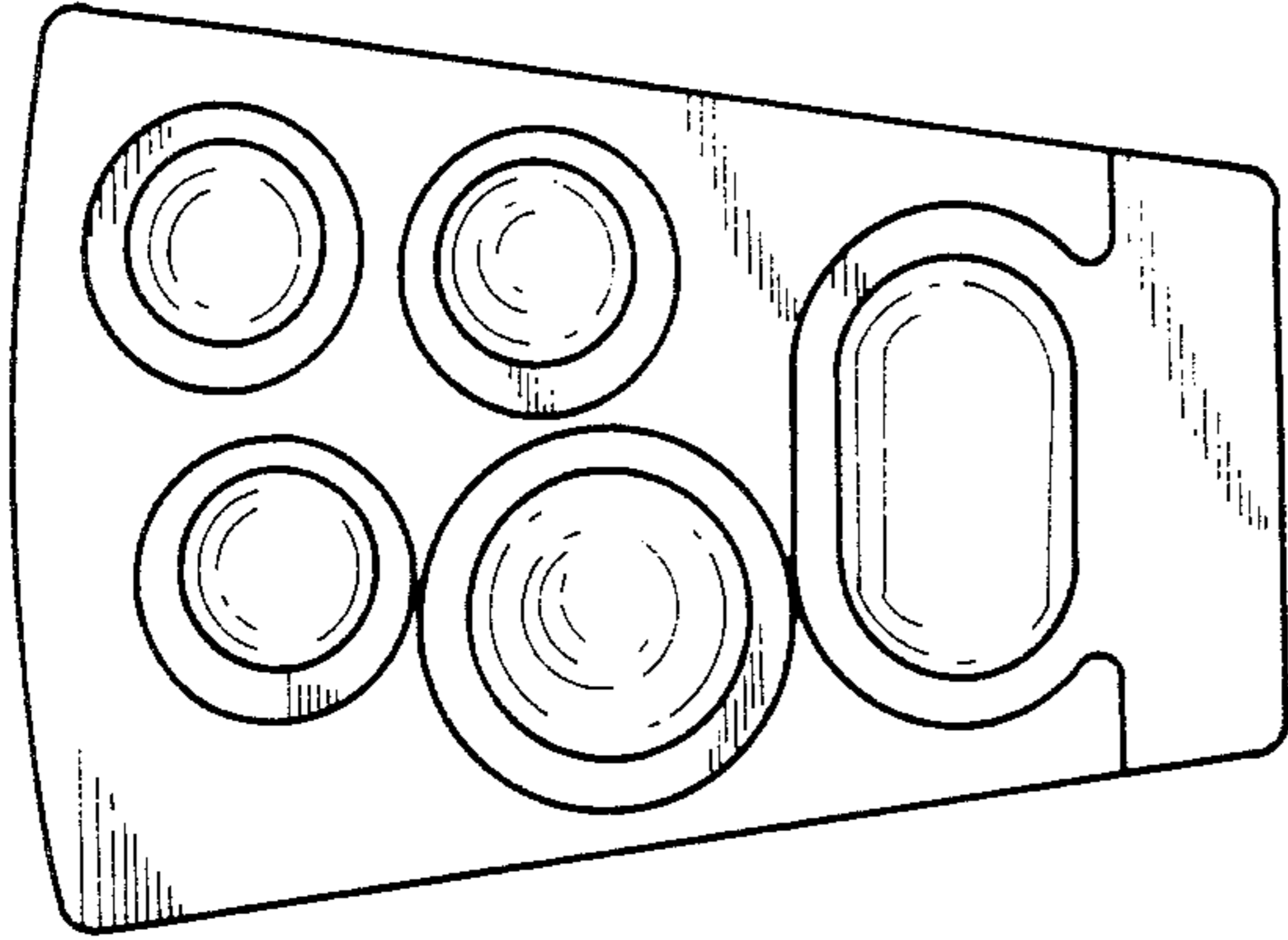


FIG. 9

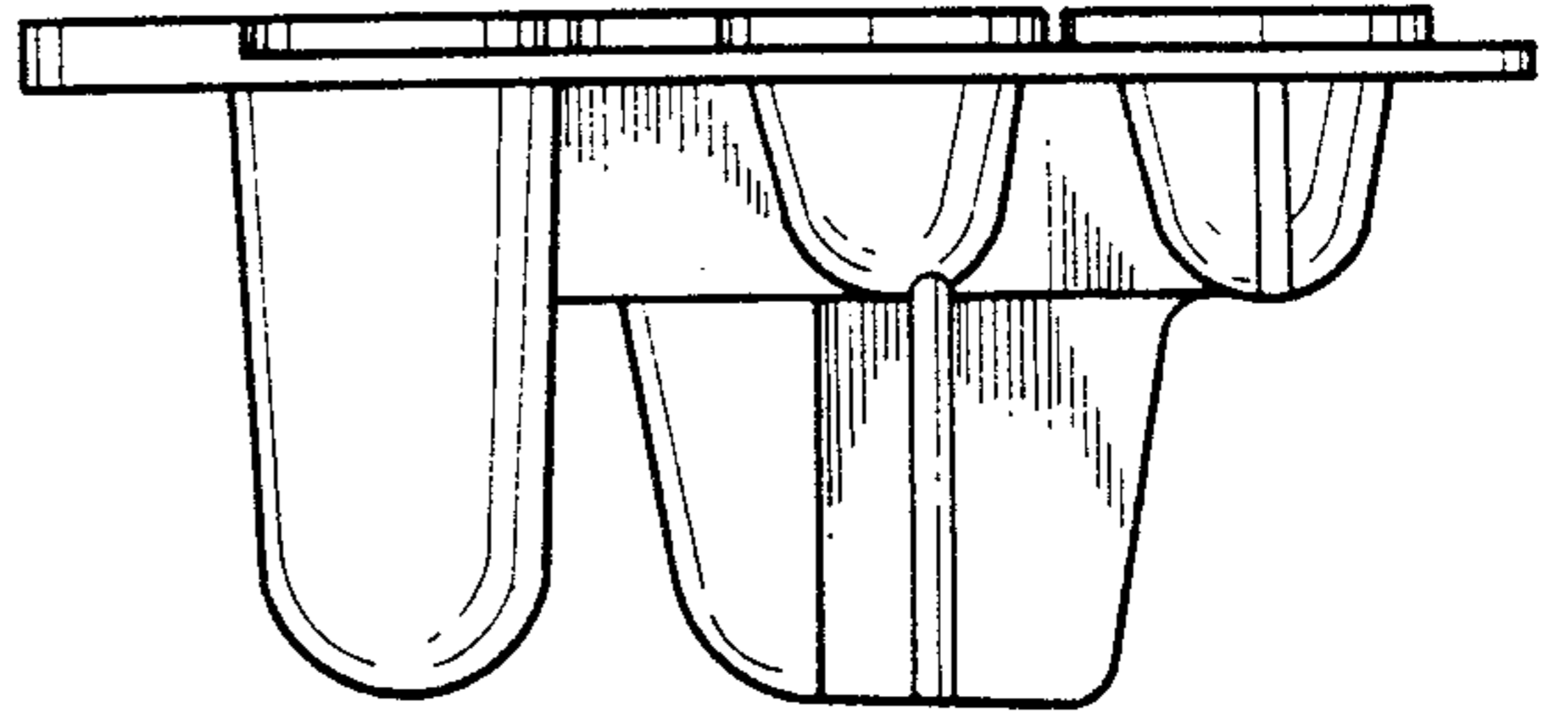


FIG. 14

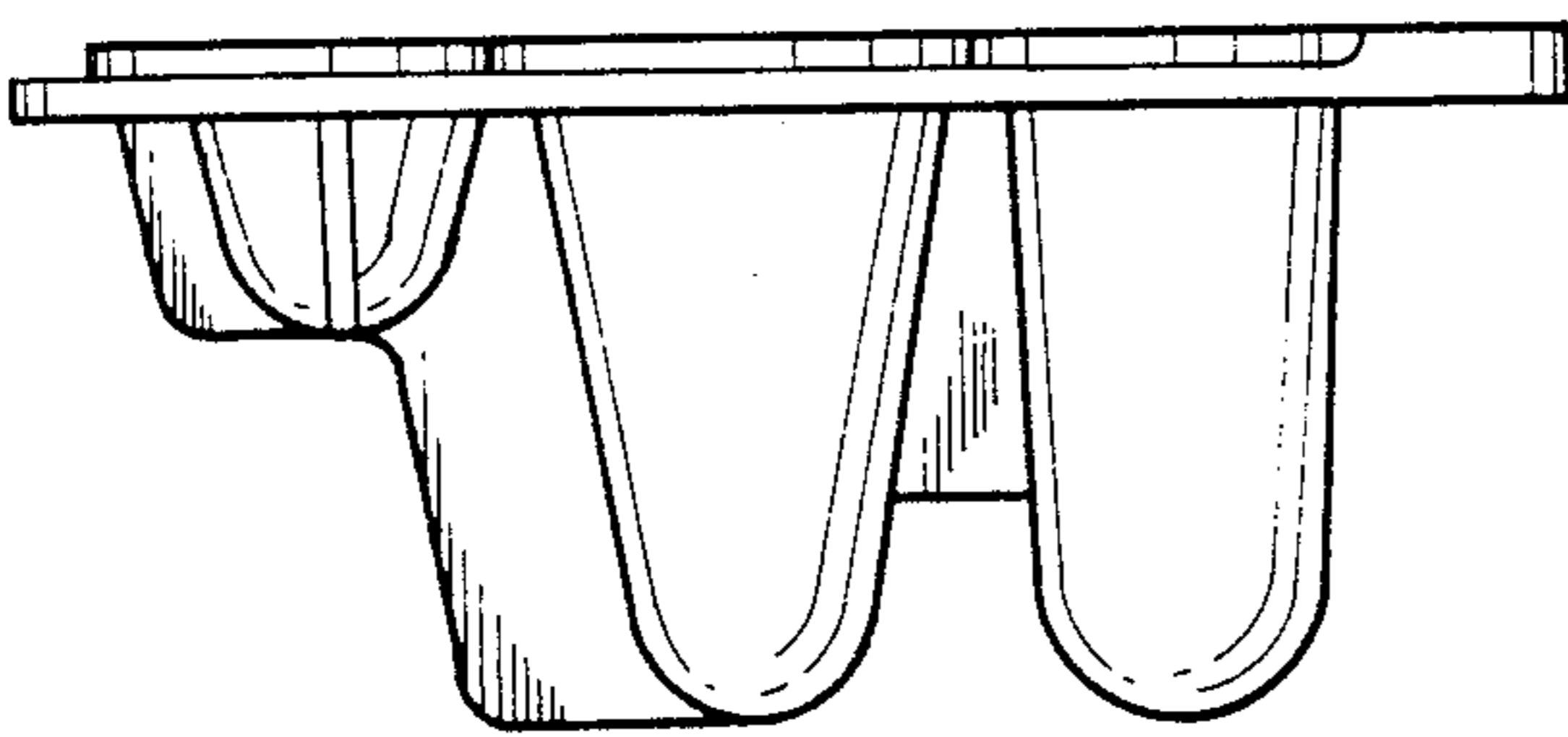


FIG. 10

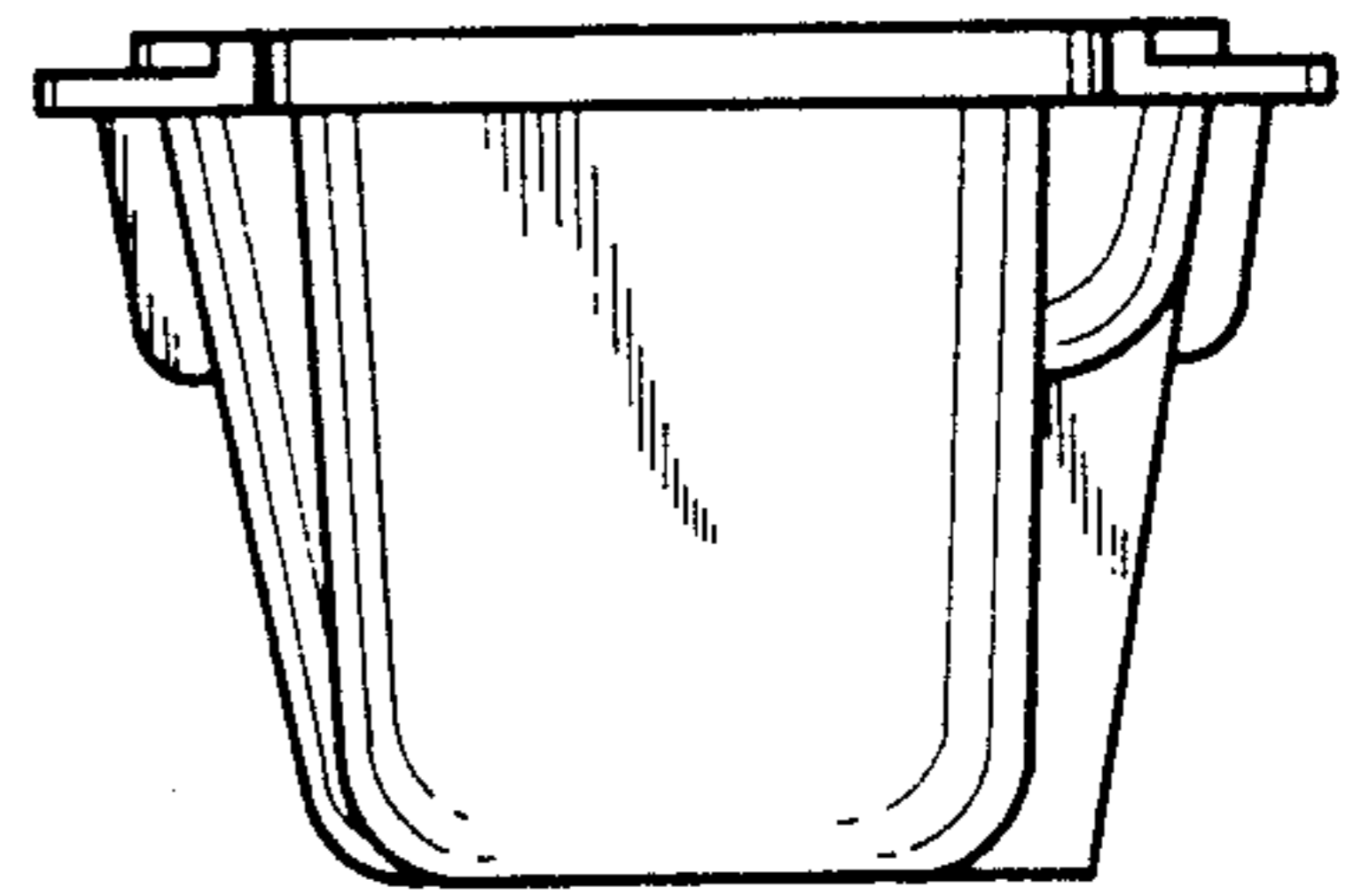


FIG. 13

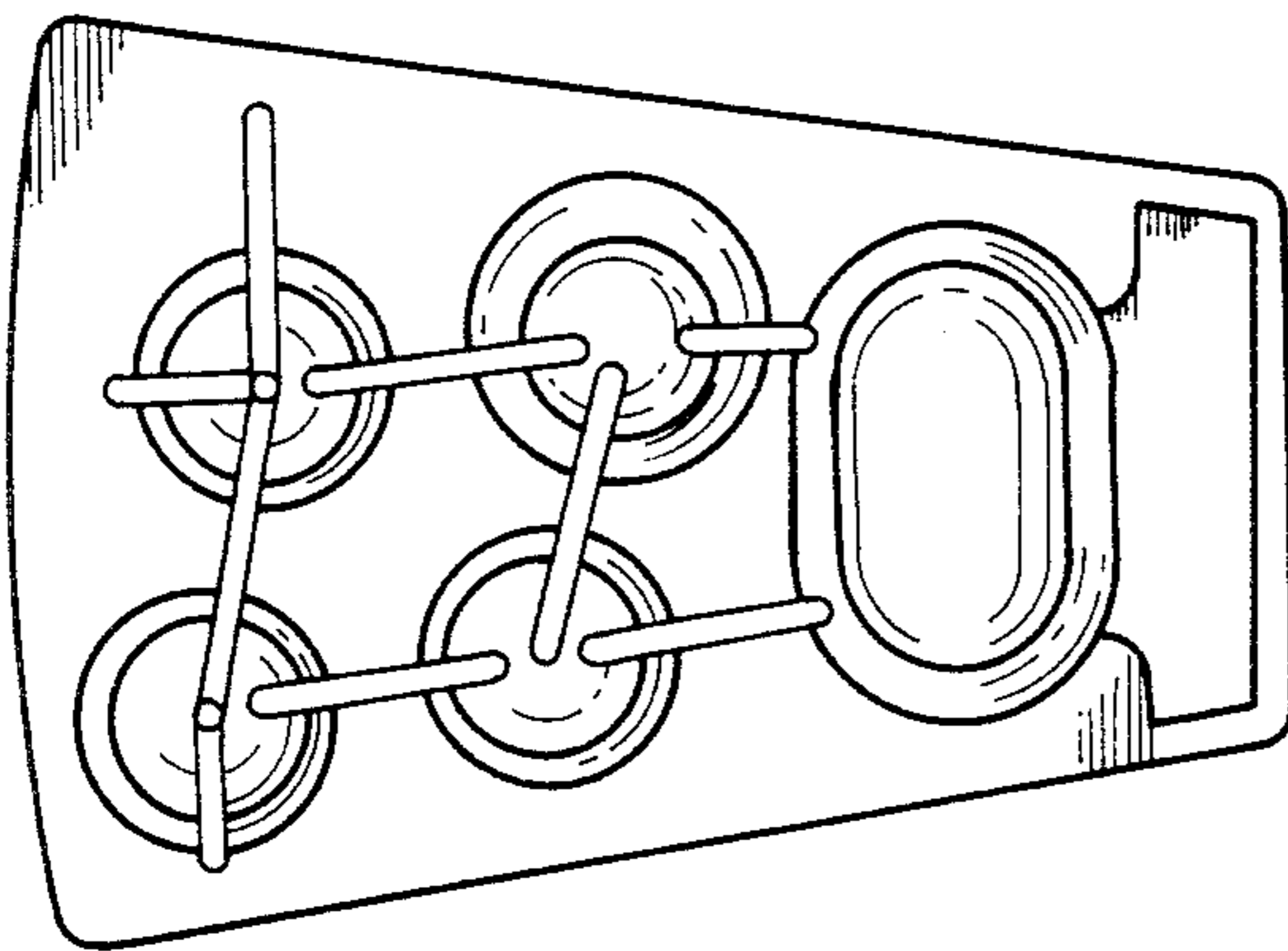


FIG. 11

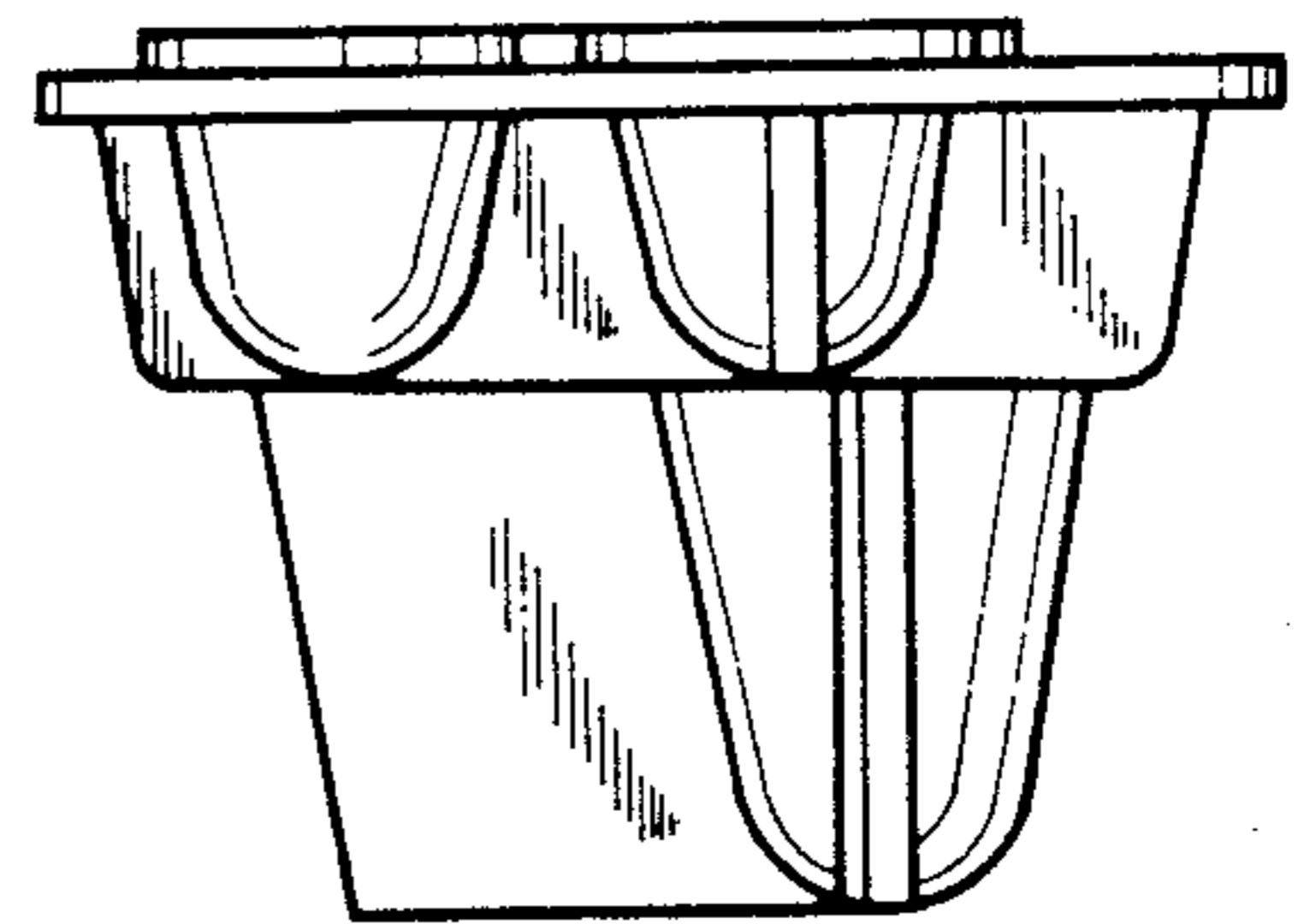


FIG. 12