

# United States Patent [19]

Williams

[11] Patent Number: **Des. 285,113**

[45] Date of Patent: **\*\* Aug. 12, 1986**

[54] **URINOMETER**

[75] Inventor: **Kevin Williams, Buffalo, N.Y.**

[73] Assignee: **Warner-Lambert Technologies, Inc.,  
Southbridge, Mass.**

[\*\*] Term: **14 Years**

[21] Appl. No.: **555,223**

[22] Filed: **Nov. 25, 1983**

[52] U.S. Cl. .... **D24/17**

[58] Field of Search ..... **D24/17, 8; 128/760,  
128/761; 604/317, 318; 73/32 R; 422/68, 73**

[56] **References Cited**

**U.S. PATENT DOCUMENTS**

- D. 198,785 8/1964 McKim ..... D24/8  
D. 203,395 1/1966 Dietrich ..... D24/17 X

- 3,695,842 10/1972 Mintz ..... 422/68 X  
3,819,276 6/1974 Kiess et al. .... 422/73 X

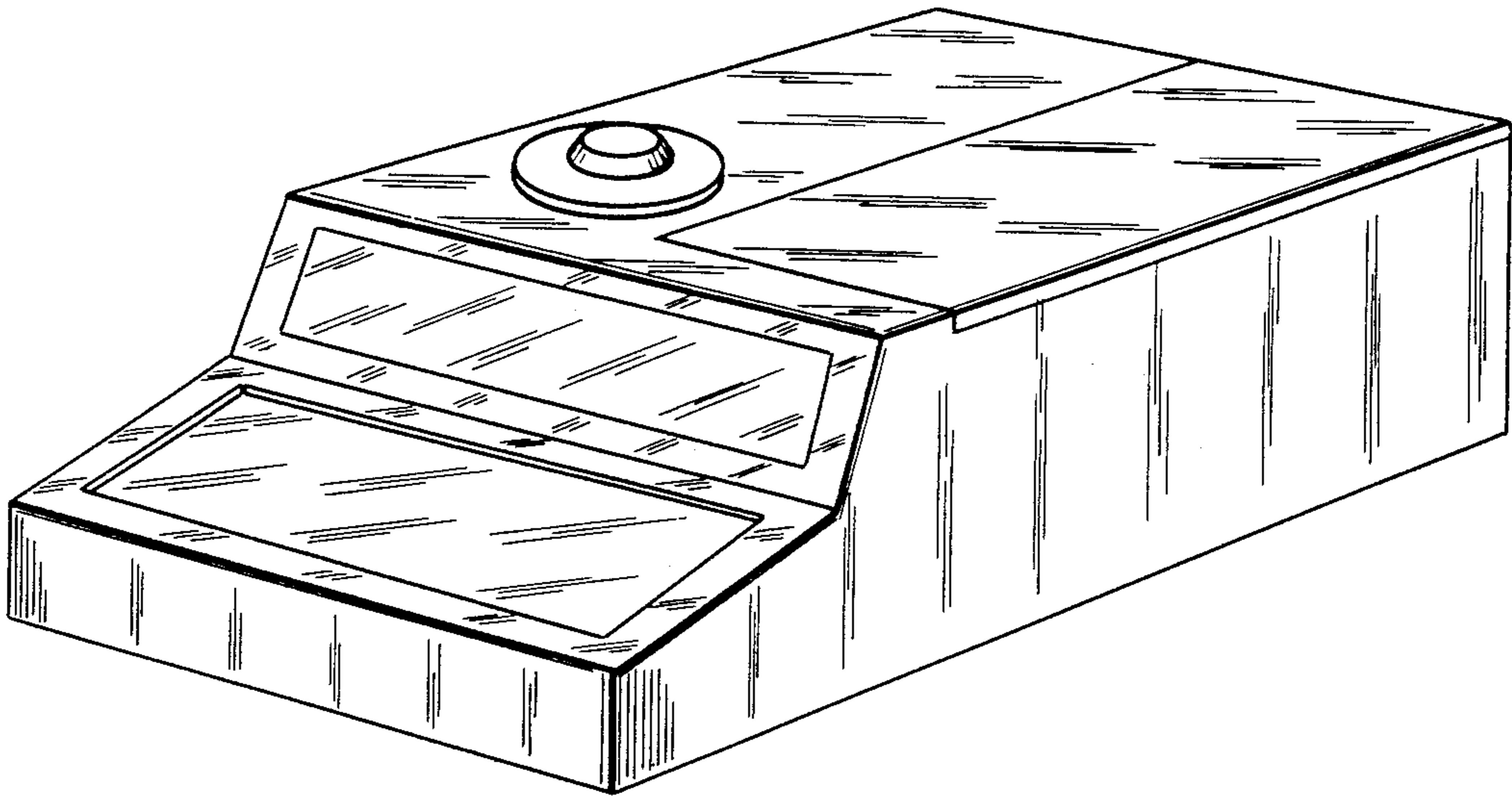
*Primary Examiner*—A. Hugo Word  
*Assistant Examiner*—Stella Reid  
*Attorney, Agent, or Firm*—Alan H. Spencer

[57] **CLAIM**

The ornamental design for a urinometer, as shown and described.

**DESCRIPTION**

FIG. 1 is a rear perspective view of a urinometer showing my new design;  
FIG. 2 is a front perspective view thereof;  
FIG. 3 is a top plan view thereof;  
FIG. 4 is a front elevational view thereof;  
FIG. 5 is a rear elevational view thereof;  
FIG. 6 is a right side elevational view thereof, the left side being a mirror image thereof.



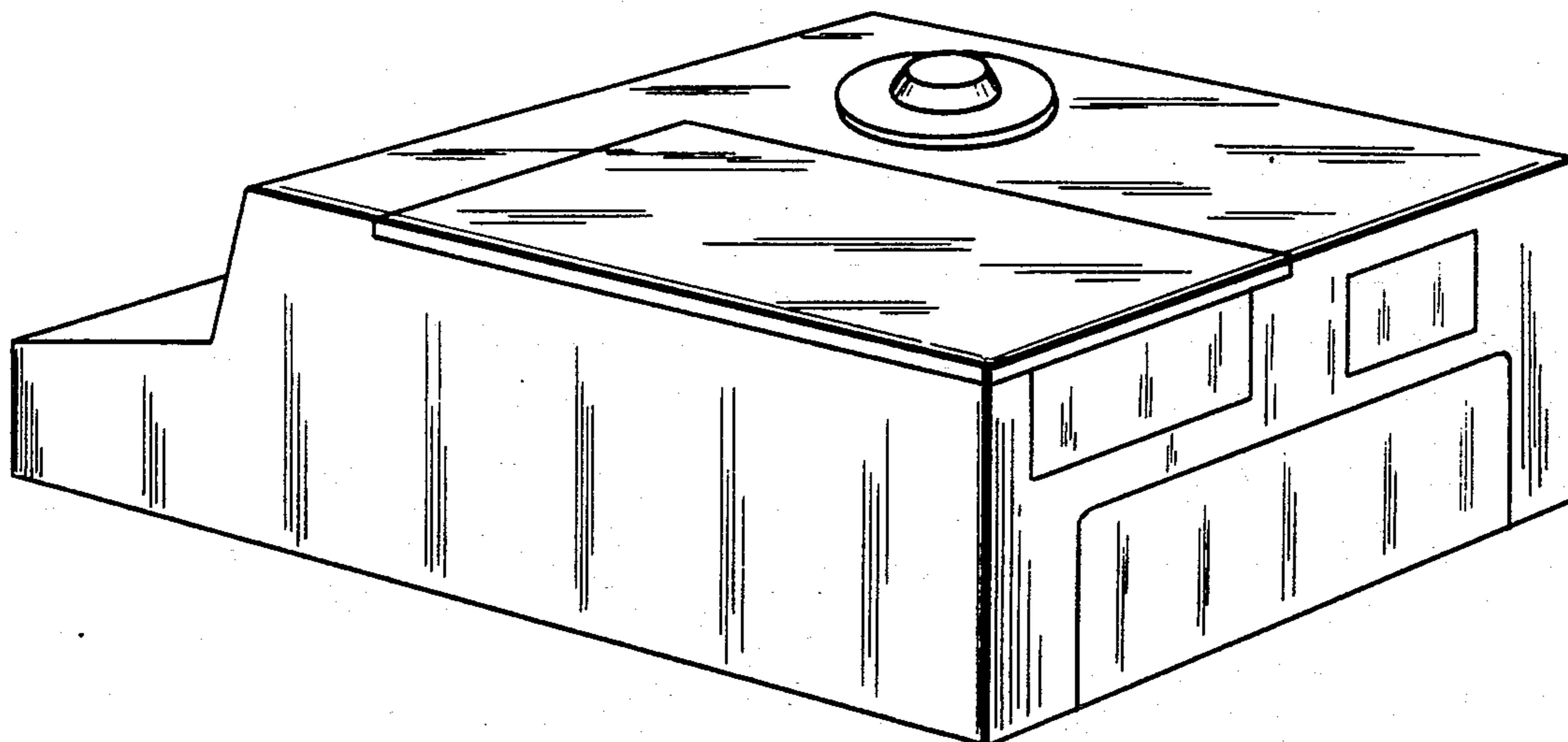


FIG. 1

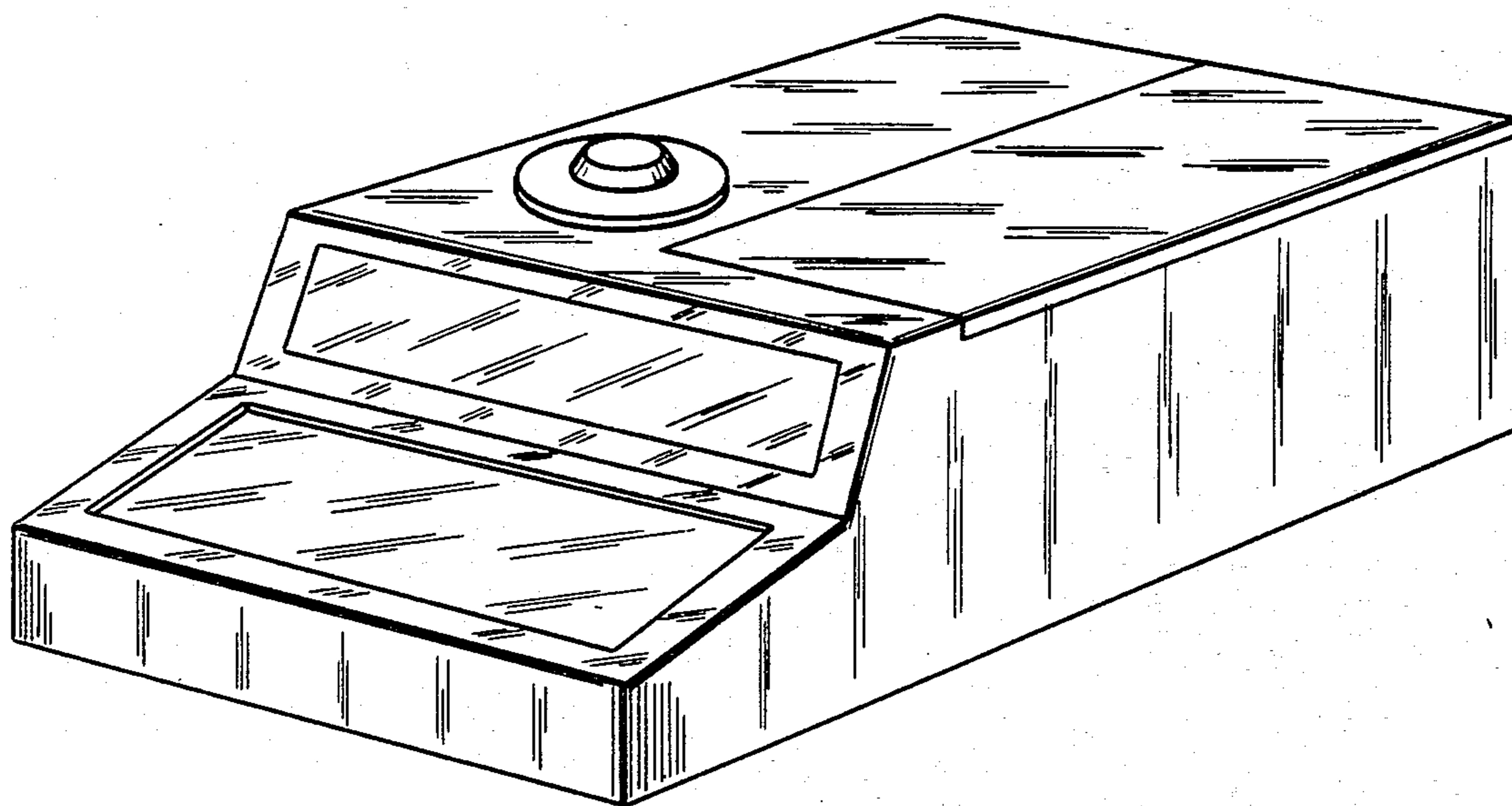


FIG. 2

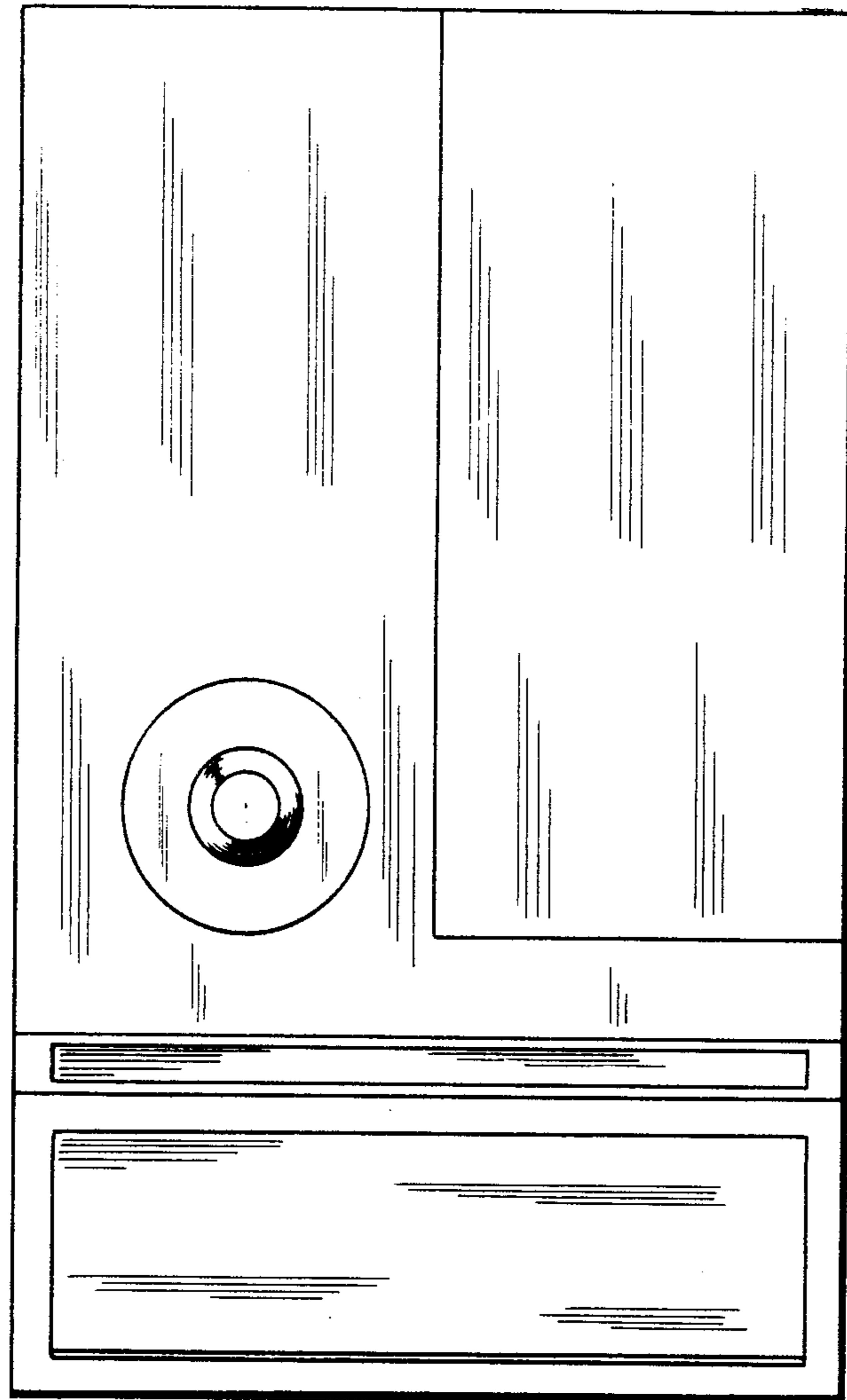


FIG. 3

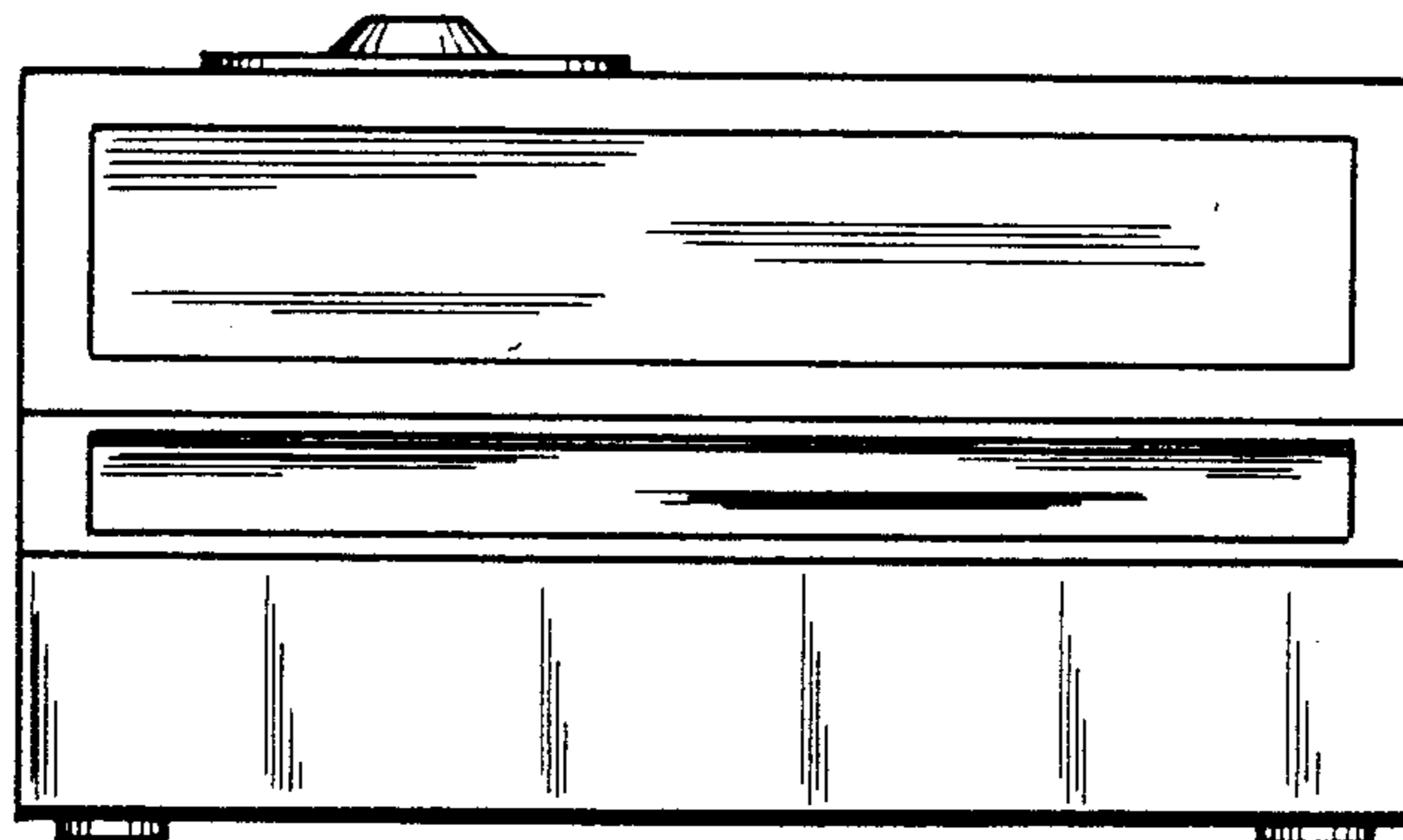


FIG. 4

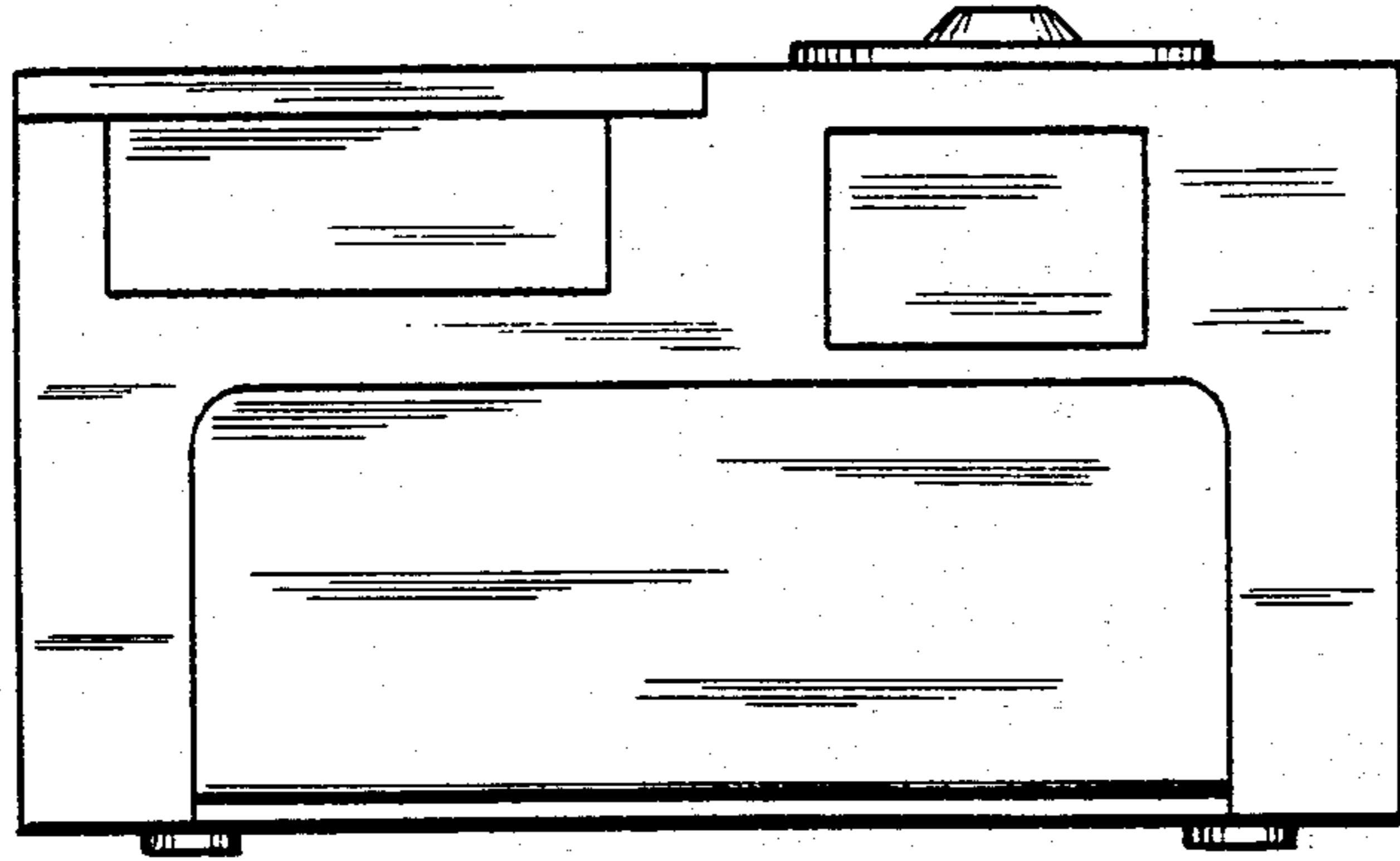


FIG. 5

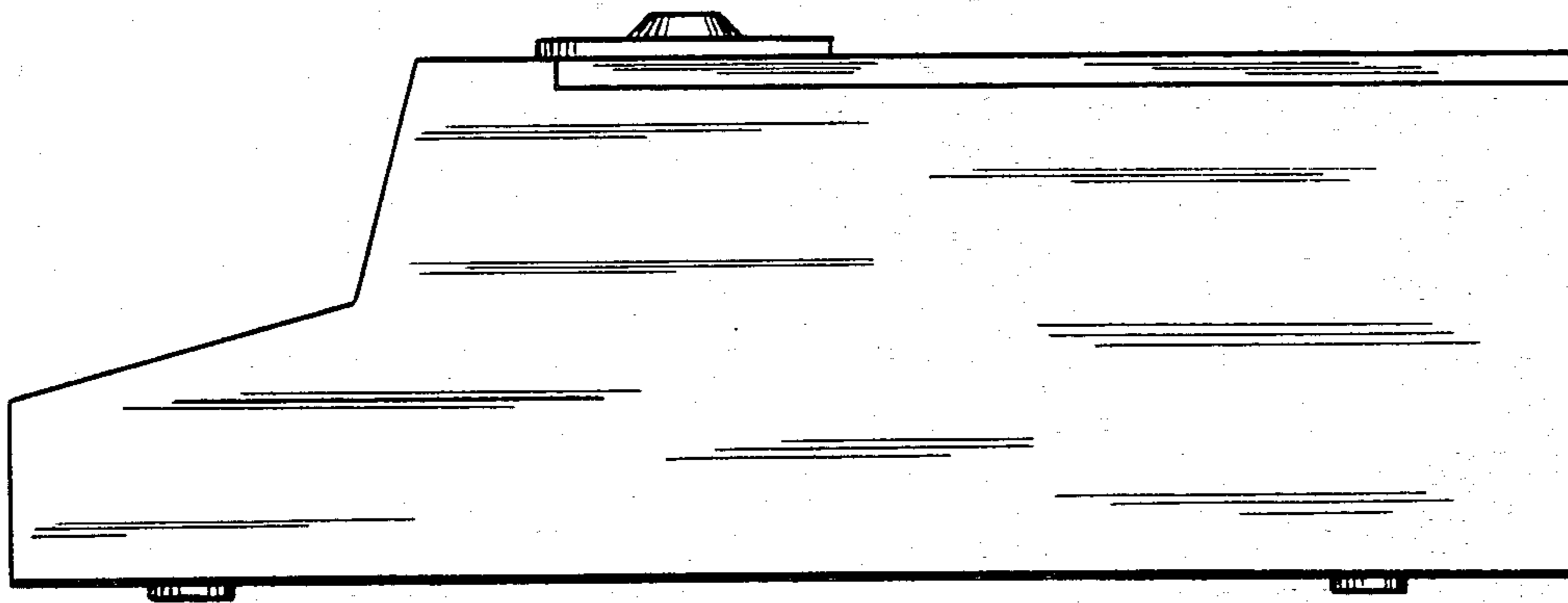


FIG. 6