

[54] IMPELLER

[75] Inventor: David J. Hanson, Newcastle, Me.

[73] Assignee: Hanson Energy Products, Newcastle, Me.

[\*\*] Term: 14 Years

[21] Appl. No.: 530,381

[22] Filed: Sep. 8, 1983

[52] U.S. Cl. .... D23/165; 416/187; 416/241 A

[58] Field of Search ..... D23/165; 416/187, 241 A, 416/DIG. 3

[56] References Cited

U.S. PATENT DOCUMENTS

- D. 91,001 11/1933 Weber ..... D23/165
- D. 113,347 2/1939 Funk ..... D23/165
- D. 126,043 3/1941 Evans ..... D23/165

- D. 194,787 3/1963 Chadwick ..... D23/165
- D. 221,382 8/1971 Bubb et al. .... D23/165
- D. 227,012 5/1973 Ranz et al. .... D23/165
- D. 246,856 1/1978 O'Connor ..... D23/165
- 3,257,071 6/1966 Harris ..... 416/187
- 3,692,428 9/1972 Bubb et al. .... 416/187
- 3,932,062 1/1976 Sisk ..... 416/241 A X

Primary Examiner—James R. Largen  
Attorney, Agent, or Firm—N. J. Aquilino

[57] CLAIM

The ornamental design for an impeller, as shown and described.

DESCRIPTION

FIG. 1 is a top plan view of an impeller showing my new design;  
FIG. 2 is a side elevational view thereof;  
FIG. 3 is a bottom plan view thereof, and  
FIG. 4 is a cross sectional view taken on line 4—4 of FIG. 3.

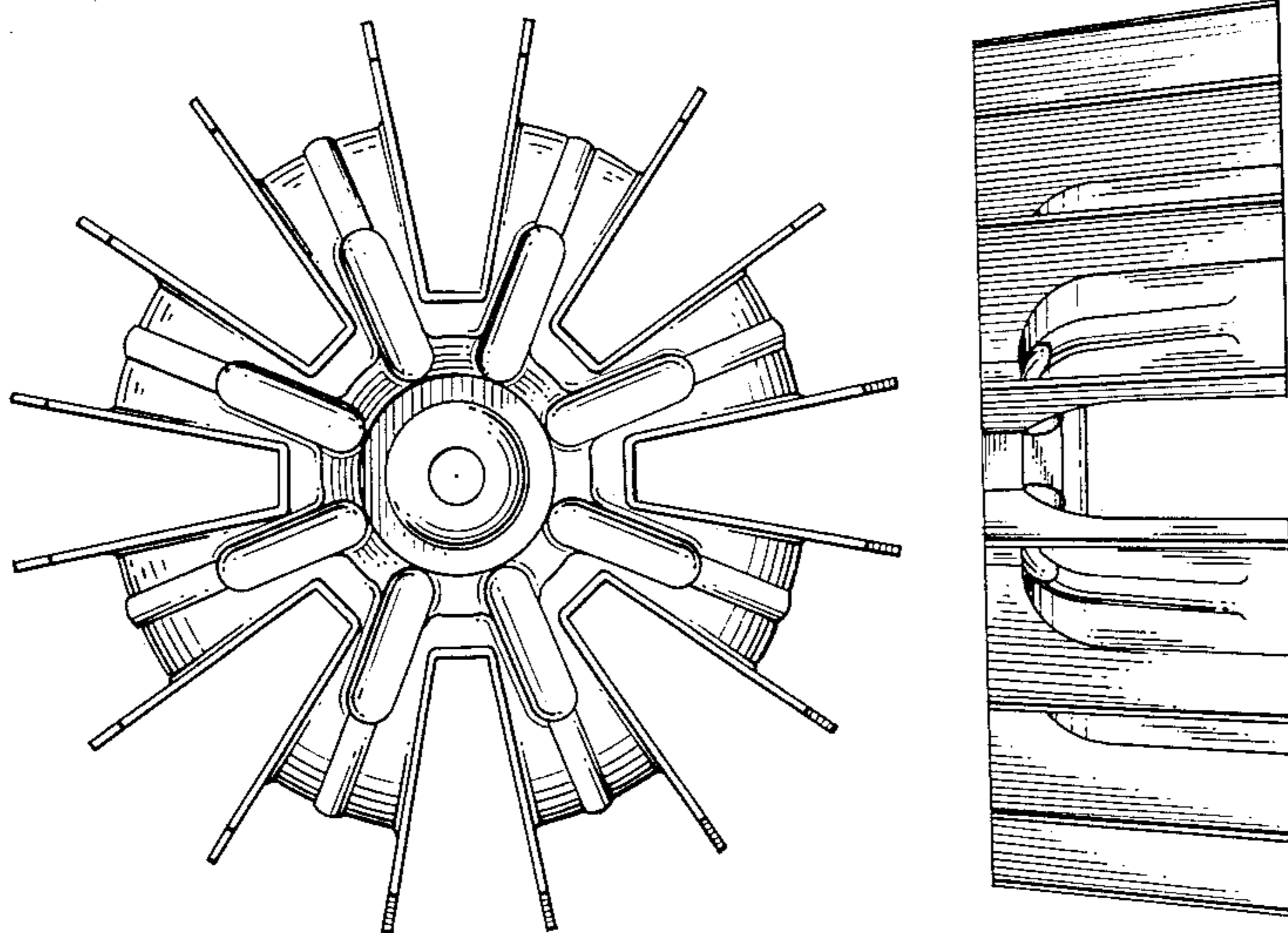


FIG. 1.

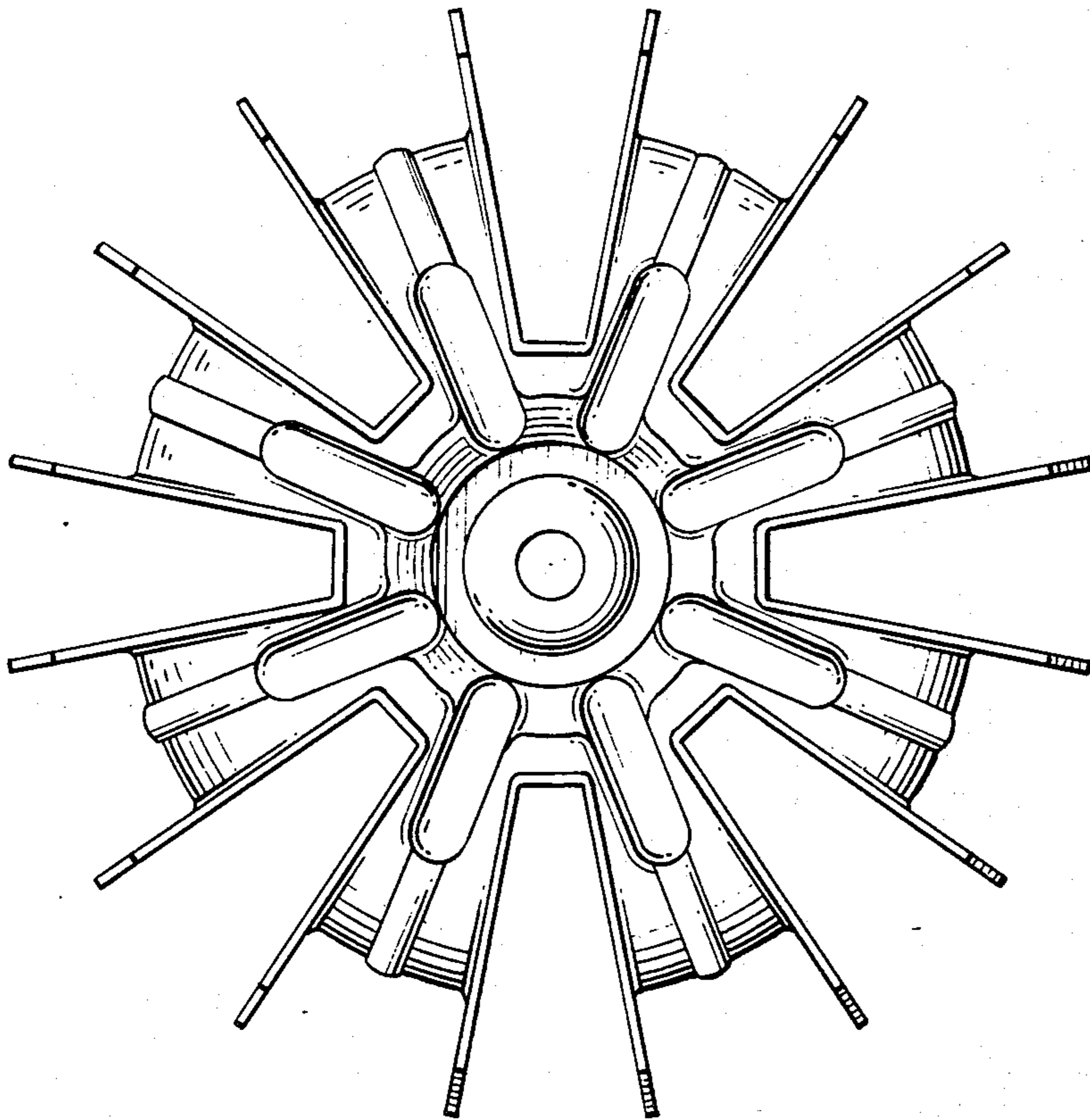


FIG. 2.

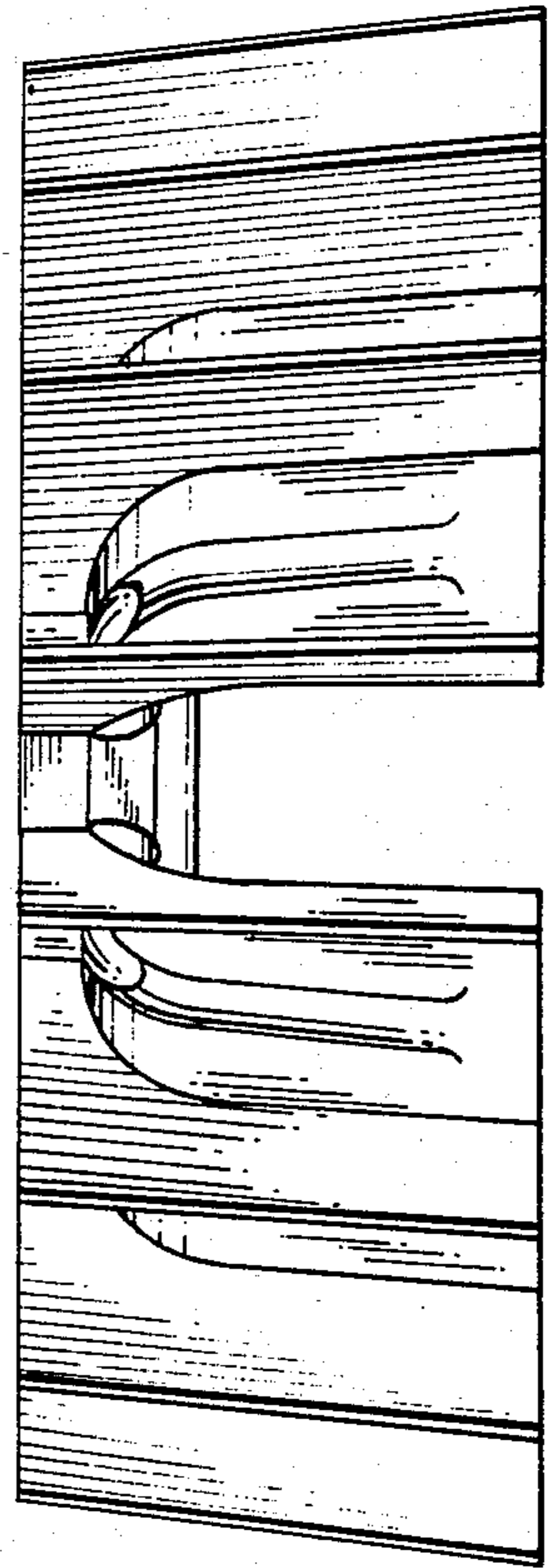


FIG. 3.

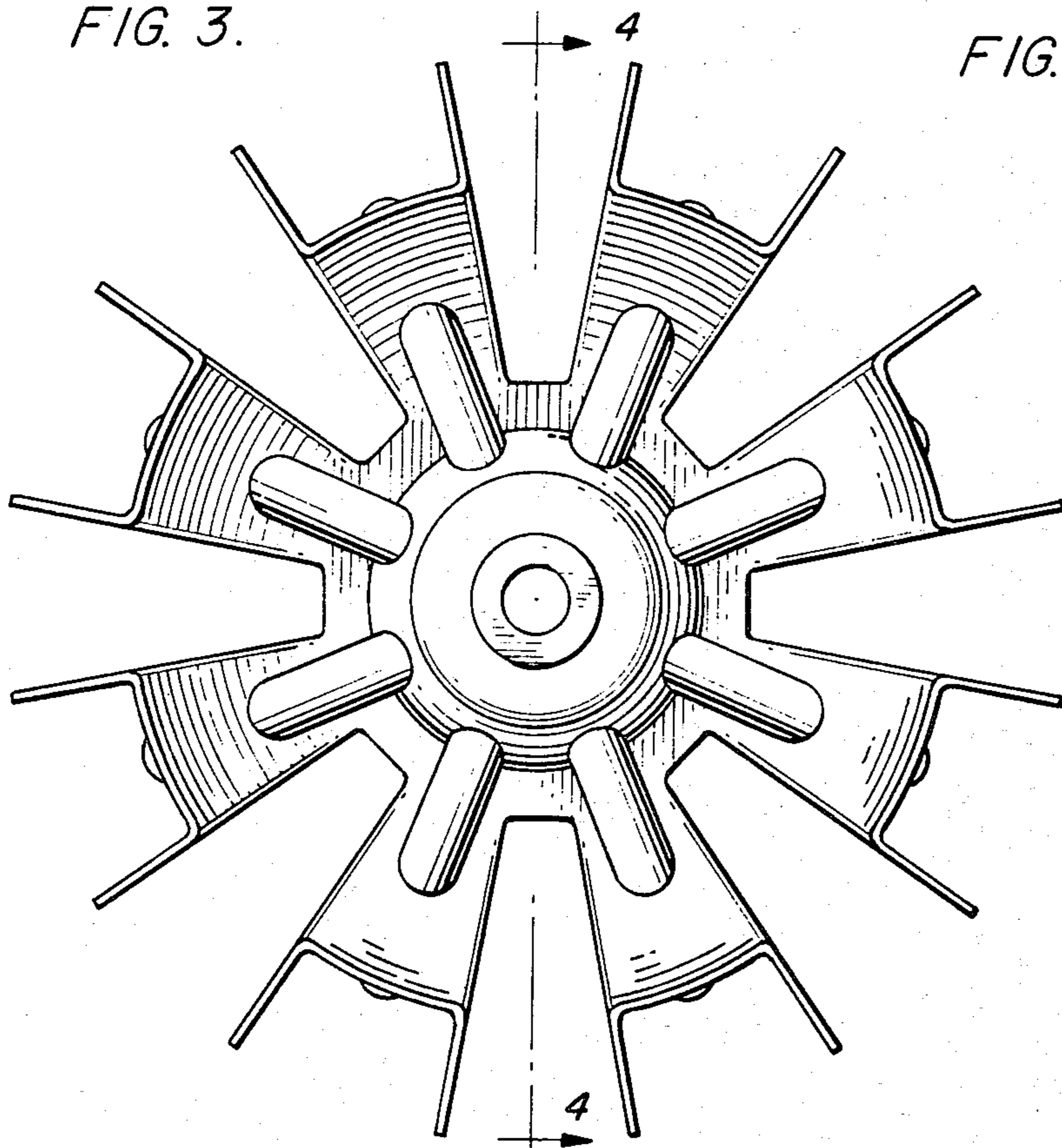


FIG. 4.

